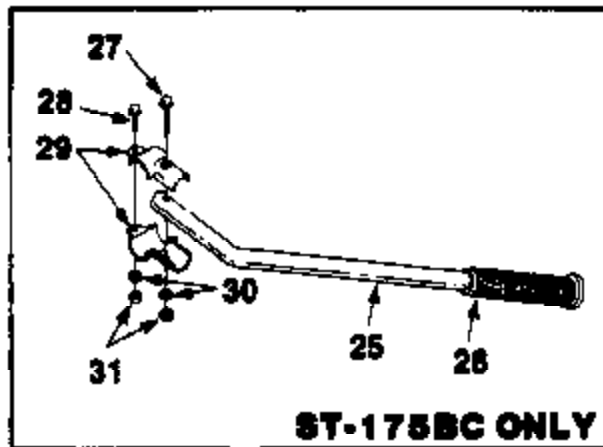
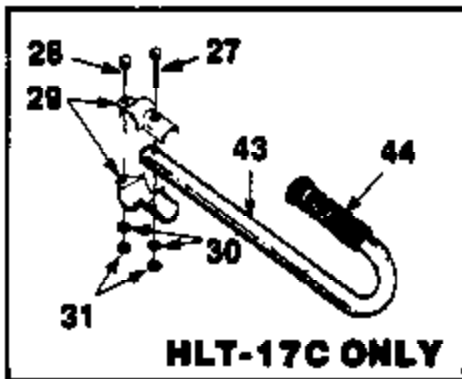
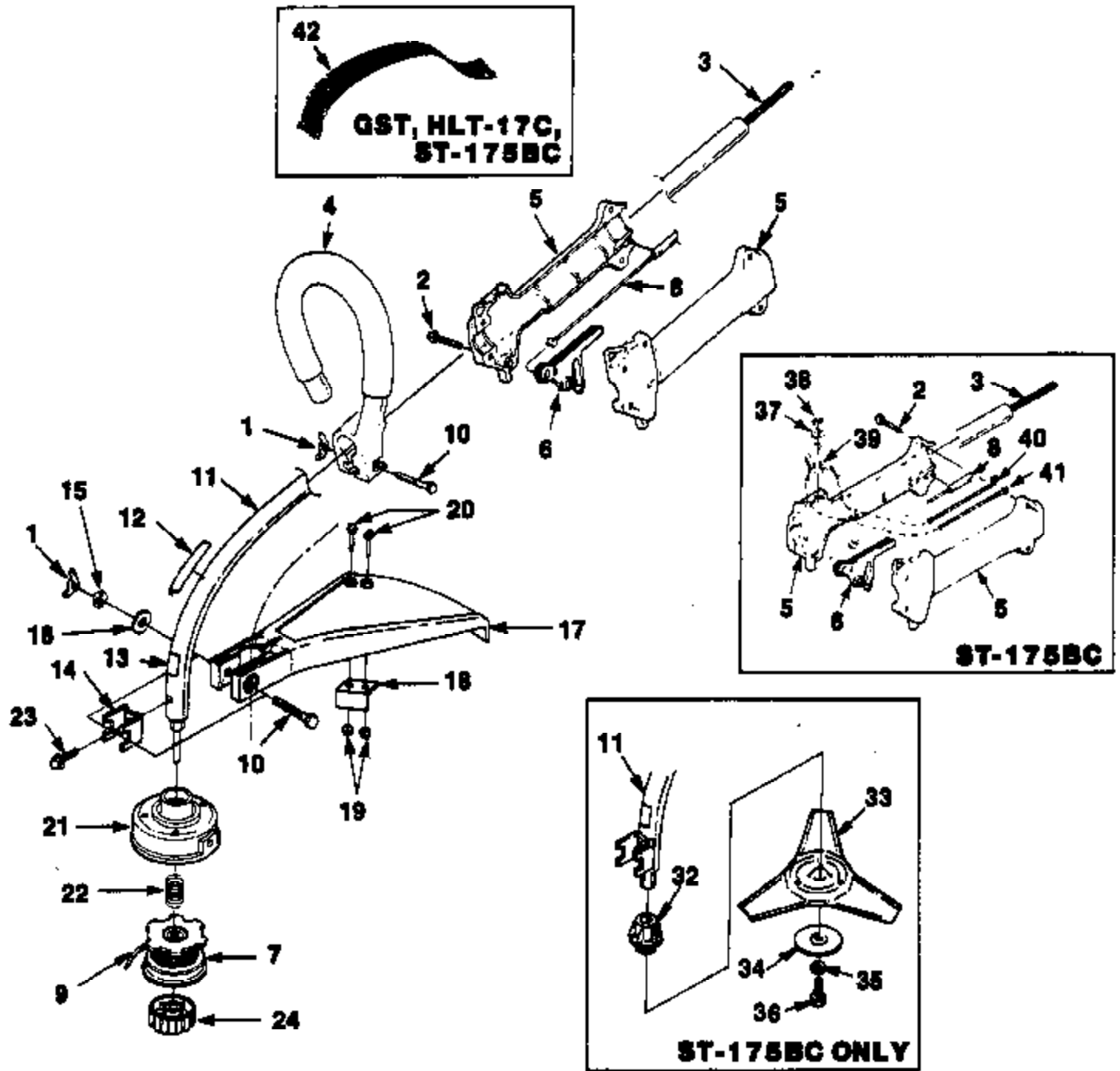


ACCESSORIES
ACCESSOIRES
TOEBEHOREN
ZUBEHÖR
ACCESSORI
ACCESSORIOS

| | |
|--|--|
| Saw Blade D-9935-A | Ignition Test Spark Plug JA-31316-4 |
| Lame de scie | Testeur d'allumage |
| Zaagblad | Bougie voor ontstekingscontrole |
| Sägeblatt | Testzündkerze für Zündprüfung |
| Lama di sega | Candela di collaudo |
| Cuchilla de la sierra | Bujía para probar el encendido |
| Lâmina de serra | Veia de ensaio de ignição |
| Grease, Multi-Purpose 18453 | Rubber Tubing (10 ft) (3,05 m) 94772-99 |
| Grasse universelle | Tube en caoutchouc (3,05 m) |
| Universeel vet | Rubber slang (3,05 m) |
| Mehrzweck-Schmiermittel | Gummrohr (3,05 m) |
| Grasso, multuso | Dotto di gomma (3,05 m) |
| Grass universal | Tubo de caucho (3,05 m) |
| Lubrificante, para fins múltiplos | Tubo de borracha (3,05 m) |
| Machete Blade DA-00714-A | Starter Rope (260 ft Reel) (76 m) 94052-A |
| Lame Machete | Cordon de lanceur (bobine de 76 m) |
| Macheteblad | Startkoord (spoel met 76 m) |
| Machete-Blatt | Startersel (76 m Spule) |
| Lama Machete | Corde d'avviamiento (bobina de 76 m) |
| Cuchilla Machete | Cuerda de arranque (carrete de 76 m) |
| Lâmina Machete | Cabo do arrancador (rolo de 75 m) |
| Thread Locking Compound 23489-C | Replacement String (3 lb. box) (0,095 dia.) 03959-04 |
| Produit de blocage de filetage | Corde de recharge (boîte de 1,3 kg) (0,095 diam.) |
| Borgmiddel voor schroefdraden | Nieuwe draad (1,3 kg in een doos) (0,095 doorsnede) |
| Gewinde-Sicherungsmasse | Ersatz-Schneldfaden (Schachtel zu 1,3 kg) (0,095) |
| Composto di bloccaggio della filettatura | Corde di ricambio (scatola di 1,3 kg) (0,095 di diam.) |
| Pasta selladora de roscas | Cuerda de repuesto (caja de 1,3 kg) (dia. 0,095) |
| Composto de retenção de roscas | Fio de substituição (caixa de 1,3 kg) (0,095 de diâmetro) |
| Module Air Gap Shim 24306 | Torx Bit (for clutch drum) T26 24982-03 |
| Cale d'écartement modulaire | Foret torx (pour tambour d'embrayage) |
| Modulair vuiststuk voor de luchtopening | Torx drijfbit (voor koppelingstrommel) |
| Modul-Luftspalt-Belagscheibe | Torx-Antriebsbit (für Kupplungstrommel) |
| Spessore di distanza modulare | Punta Torx Drive (per il tamburo della frizione) |
| Placa de relleno de la separación del módulo | Broca de empuje Torx (tambor del embrague) |
| Chapa de separação do módulo | Broca Torx (para o tambor da embraiagem) |
| Grass Anti Wrap Kit A-04191 | Torx Drive Bit T-27 18586-01 |
| Nécessaire anti-enroulement d'herbe | Foret torx |
| Apparaatje om te voorkomen dat gras zich rond de aandrijftas wikkelt | Torx-drijfbit |
| Grasrückhalter | Torx-Antriebsbit |
| Kit antiavvolgimento d'erba | Punta Torx Drive |
| Dispositivo contra la acumulación de pasto | Broca de empuje Torx |
| Dispositivo contra a acumulação de relva | Broca accionadora Torx |

| Ref # | Part Number | Qty | Description |
|------------|-------------|-----|--|
| D-98935-A | D98935A | 1 | Saw Blade |
| 18453 | 18453 | 1 | Grease, Multi-Purpose |
| DA-00714-A | DA00714A | 1 | Machete Blade |
| 23488C | 23488C | 1 | Thread Locking Compound |
| 24306 | 24306 | 1 | Module Air Gap Shim |
| A-04191 | A04191 | 1 | Grass Anti Wrap Kit ST-145, ST-155, ST-175, ST-175G, ST-175C, ST-175BC, HGT, GST, HLT-16, HLT-17C |
| JA313164 | JA313164 | 1 | Ignition Test Spark Plug |
| 9477299 | 9477299 | 1 | Rubber Tubing (10 ft.) (3.05 m) |
| 98052-A | 98052A | 1 | Starter Rope (250 ft. Reel) (76 m) |
| 03959-04 | 0395904 | 1 | Replacement String (3 lb. box) (0.095 dia.) |
| 24982-03 | 2498203 | 1 | Torx Bit (for clutch drum) T25 |
| 18566-01 | 1856601 | 1 | Torx Drive Bit T-27 |



| Ref # | Part Number | Qty | Description |
|-------|-------------|-----|---|
| 1 | 93992 | 2 | NUT- Wing |
| 2 | 82368 | 5 | SCREW- Plastite (#8 x 3/4") |
| 3 | 98816 | 1 | SHAFT- Flexible |
| 4 | 98822 | 1 | HANDLE- Front (ST-145, ST-155, HGT) |
| | A98525 | 1 | HANDLE- Front (ST-175, ST-175C, ST-1 75BC, GST) |
| 5 | A00879 | 1 | HANDLE GRIP ASSEMBLY |
| 6 | 98772A | 1 | TRIGGER |
| 7 | DA98911B | 1 | SPOOL & STRING(ST-155) |
| | 02985 | 1 | SPOOL & STRING (HLT-16, HLT-17C) |
| | DA98912B | 1 | SPOOL & STRING (Dual Line) |
| 8 | A03006 | 1 | CABLE- Throttle |
| 9 | DA97952B | 1 | LINE- Replacement (.080 Dia.) (100 Ft.) |
| | 0395903 | 1 | LINE- Replacement (.095 Dia.) (1 lb. box) (HLT-16, HLT-17C) |
| 10 | 80295 | 2 | SCREW (10-24 x 2") |
| 11 | A00104A | 1 | HOUSING- Drive Shaft |
| 12 | 989231 | 1 | DECAL- Starting Instructions |
| 13 | 02985 | 1 | DECAL- Warning |
| 14 | 98853 | 1 | CLAMP |
| | A00771 | 1 | HOUSING- Drive Shaft (HLT-16) |
| | 989231 | 1 | DECAL- Starting Instructions |
| | 02985 | 1 | DECAL- Warning |
| | A00774 | 1 | HOUSING- Drive shaft (HLT-17C) |
| | 989241 | 1 | DECAL-Starting Instructions (HLT-17C) |
| | 02985 | 1 | DECAL- Warning (HLT-17C) |
| | 00588 | 1 | DECAL- Warning (Not Shown) (HLT-17C) |
| | A02720 | 1 | HOUSING- Drive shaft (ST-1 75BC) |
| | 989241 | 1 | DECAL-Starting Instructions (ST-1 75BC) |
| | 02985 | 1 | DECAL- Warning (ST-175BC) |
| | 98853 | 1 | CLAMP (ST-175BC) |
| | 00588 | 1 | DECAL- Warning (Not Shown) (ST-175BC) |
| 15 | 83009 | 1 | LOCKWASHER (1/4") |
| 16 | 84006 | 1 | WASHER- Flat (1/4") |
| 17 | 98821 | 1 | DEFLECTOR- Grass |
| | 02610 | 1 | DEFLECTOR- Grass (ST-175G, ST-175BC, GST, HLT-17C) |
| 18 | A03834 | 1 | BLADE- Cut off (ST-145, ST-155) |
| 19 | 81261 | 2 | NUT- (10-24) |
| 20 | 82531 | 2 | SCREW- (10-24 x 7/8") |
| | A03832 | 1 | BLADE- Cut-off (ST-175C, ST-175G, ST-175BC, HGT, HLT-16, HLT-17C) |
| | 81261 | 2 | NUT- (10-24) |
| | 82531 | 2 | SCREW- (10-24 x 7/8") |
| | A03833 | 1 | BLADE- Cut-off (GST) |
| | 81261 | 2 | NUT (10-24) |
| | 82531 | 2 | SCREW (10-24 x 7/8") |
| 21 | A98231A | 1 | HOUSING & EYELET- Dual line |
| 22 | 98848 | 1 | SPRING- Compression |
| 23 | 82541 | 1 | SCREW (#10 x 1/2") |
| 24 | DA98866A | 1 | RETAINER- Spool (R.H. Thread) |
| | A02781 | 1 | RETAINER- Spool (ST-1 75BC, HLT-1 7C) |
| 25 | A97709A | 1 | HANDLE BAR (ST-175BC) |
| 26 | 94474B | 1 | GRIP (ST-175BC) |
| 27 | 88071 | 1 | SCREW (ST-175BC, HLT-17C) |
| 28 | 88078 | 1 | SCREW (ST-175BC, HLT-17C) |
| 29 | 00422 | 2 | CLAMP (ST-175BC, HLT-17C) |
| 30 | 83061 | 2 | WASHER (ST-175BC, HLT-17C) |
| 31 | 81267 | 2 | NUT (ST-175BC, HLT-17C) |
| 32 | 02617 | 1 | ADAPTOR (ST-175BC, HLT-17C) |

| Ref # | Part Number | Qty | Description |
|-------|-------------|-----|--|
| 33 | DA02616A | 1 | BLADE- Weed (ST-175BC, HLT-17C) |
| 34 | 00580 | 1 | WASHER- Cupped (ST-175BC, HLT-17C) |
| 35 | 83030 | 1 | WASHER (ST-175BC, HLT-17C) |
| 36 | 80085 | 1 | SCREW (ST-175BC, HLT-17C) |
| 37 | 95231 | 1 | PLATE- Indicating (ST-1 75C, ST-1 75BC, HLT-17C) |
| 38 | 72084A1 | 1 | NUT (ST-175C, ST-175BC, HLT-17C) |
| 39 | 93653 | 1 | SWITCH- Toggle (ST-175C, ST-175BC, HLT-17C) |
| 40 | A98918 | 1 | LEAD- Electrical (ST-175C, ST-175BC, HLT-17C) |
| 41 | A98919 | 1 | A LEAD- Ground (ST-175C, ST-175BC, HLT-17C) |
| 42 | DA92703B | 1 | HARNESS w/connector (GST, ST-175BC, HLT-17C) |
| 43 | A02951 | 1 | HANDLE BAR ("J") (HLT-17C) |
| 44 | 94474B | 1 | GRIP (HLT-17C) |

⊕ CARBURETOR
⊕ CARBURATEUR
⊕ CARBURATEUR
⊕ VERGASER
⊕ CARBURATORE
⊕ CARBURADOR
⊕ CARBURADOR

| | |
|------------------------------|----------------|
| ⊕ ZAMA | A-03003 |
| ⊕ Repair Kit | A-03079 |
| ⊕ Jeu de réparation | |
| ⊕ Reparatieset | |
| ⊕ Reparatursatz | |
| ⊕ Kit per riparazioni | |
| ⊕ Juego de reparación | |
| ⊕ Jogo de reparação | |

| | |
|---|----------------|
| ⊕ Gasket/Diaphragm Kit | A-03050 |
| ⊕ Jeu joint/diaphragme | |
| ⊕ Pakking/membraan set | |
| ⊕ Dichtung/Membrane-Satz | |
| ⊕ Kit diaframma/guarnizione | |
| ⊕ Conjunto junta/diafragma | |
| ⊕ Jogo de juntas vedantes/diafragmas | |

| | |
|---|------------------|
| ⊕ Primer Bulb | A-01195-A |
| ⊕ Bouton d'amorçage | |
| ⊕ Voorinspuitpomp | |
| ⊕ Vorpumpe | |
| ⊕ Ciochetto | |
| ⊕ Bulbo cebador | |
| ⊕ Bolha de unidade de escorvagem | |

| | |
|--|----------------|
| ⊕ Primer Base* (Aluminum) | A-01194 |
| ⊕ Primer Base* (Plastic) | A-03062 |
| ⊕ Base d'amorçage* (aluminium) | |
| ⊕ Base d'amorçage* (plastique) | |
| ⊕ Voorinspuit-sokkel* (aluminium) | |
| ⊕ Voorinspuit-sokkel* (plastic) | |
| ⊕ Vorpumpen-Sockel* (Aluminium) | |
| ⊕ Vorpumpen-Sockel* (Plastic) | |
| ⊕ Base del ciochetto* (aluminio) | |
| ⊕ Base del ciochetto* (plastic) | |
| ⊕ Base de cebador* (aluminio) | |
| ⊕ Base de cebador* (plástico) | |
| ⊕ Base da unidade de escorvagem* (Aluminio) | |
| ⊕ Base da unidade de escorvagem* (Plástico) | |

⊕ *Primer Base kits are not interchangeable.
⊕ *Les jeux de base d'amorçage ne sont pas interchangeables.
⊕ *Sokkel-zets voor voorinspuiten zijn niet verwisselbaar.
⊕ *Sockelsätze für die Vorpumpe sind nicht austauschbar.
⊕ *I kit della base del ciochetto non sono intercambiabili.
⊕ *Los juegos de base de cebador no son intercambiables.
⊕ *Os jogos de base da unidade de escorvagem não são intercambiáveis.

| | |
|---------------------------------------|----------------|
| ⊕ Swivel Kit | A-00288 |
| ⊕ Jeu de pivots | |
| ⊕ Zwenkast | |
| ⊕ Drehzapfen-Satz | |
| ⊕ Serie di ingranaggi girevoli | |
| ⊕ Juego de enganche giratorio | |
| ⊕ Jogo da rótula | |

| | |
|------------------------------|----------------|
| ⊕ WALBRO | A-03003 |
| ⊕ Repair Kit | A-02065 |
| ⊕ Jeu de réparation | |
| ⊕ Reparatieset | |
| ⊕ Reparatur-Satz | |
| ⊕ Kit di riparazione | |
| ⊕ Juego de reparación | |
| ⊕ Jogo de reparação | |

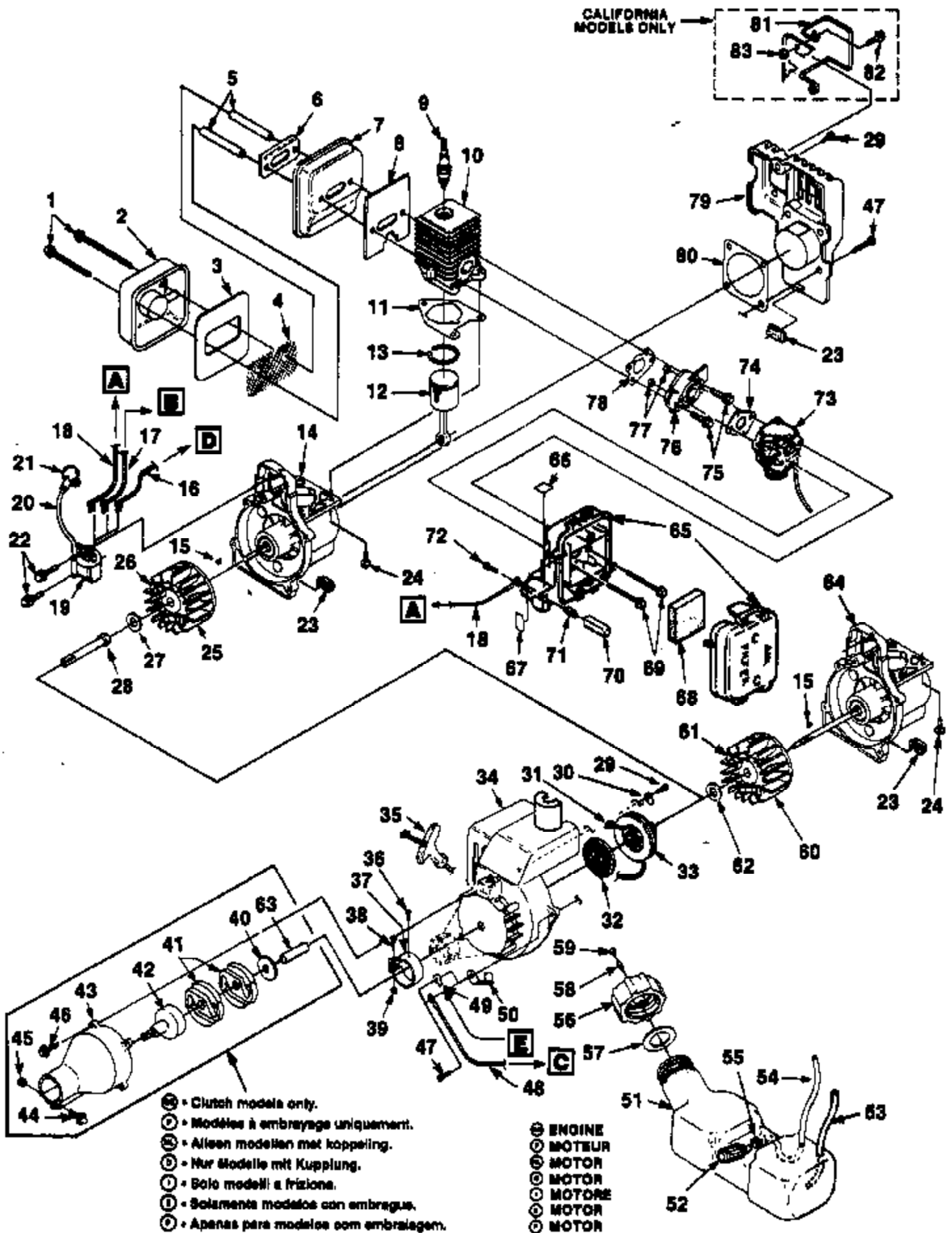
| | |
|---|------------------|
| ⊕ Gasket/Diaphragm Kit | A-00285-A |
| ⊕ Jeu joint/diaphragme | |
| ⊕ Pakking/membraan set | |
| ⊕ Dichtung/Membrane-Satz | |
| ⊕ Kit diaframma/guarnizione | |
| ⊕ Conjunto junta/diafragma | |
| ⊕ Jogo de juntas vedantes/diafragmas | |

| | |
|---------------------------------------|----------------|
| ⊕ Swivel Kit | A-00288 |
| ⊕ Jeu de pivots | |
| ⊕ Zwenkast | |
| ⊕ Drehzapfen-Satz | |
| ⊕ Serie di ingranaggi girevoli | |
| ⊕ Juego de enganche giratorio | |
| ⊕ Jogo da rótula | |

| | |
|---|--------------|
| ⊕ Primer Bulb | 01201 |
| ⊕ Bouton d'amorçage | |
| ⊕ Voorinspuitpomp | |
| ⊕ Vorpumpe | |
| ⊕ Ciochetto | |
| ⊕ Bulbo cebador | |
| ⊕ Bolha de unidade de escorvagem | |

| | |
|---|------------------|
| ⊕ Primer Base* | A-01190-A |
| ⊕ Base d'amorçage* | |
| ⊕ Voorinspuit-sokkel* | |
| ⊕ Vorpumpen-Sockel* | |
| ⊕ Base del ciochetto* | |
| ⊕ Base de cebador* | |
| ⊕ Base da unidade de escorvagem* | |

| Ref # | Part Number | Qty | Description |
|-----------|-------------|-----|--|
| A-03003 | A03003 | 1 | ZAMA |
| A-03979 | A03979 | 1 | Repair Kit |
| A-03980 | A03980 | 1 | Gasket/Diaphragm Kit |
| A-01195-A | A01195A | 1 | Primer Bulb |
| A-01194 | A01194 | 1 | Primer Base (Aluminum) Primer Base kits are not interchangeable. |
| A-03062 | A03062 | 1 | Primer Base (Plastic) Primer Base kits are not interchangeable. |
| A-00289 | A00289 | 1 | Swivel Kit |
| A-03002 | A03002 | 1 | WALBRO |
| A-02665 | A02665 | 1 | Repair Kit |
| A00285A | A00285A | 1 | Gasket/Diaphragm Kit |
| A-00289 | A00289 | 1 | Swivel Kit |
| 01201 | 01201 | 1 | Primer Bulb |
| A-01200-A | A01200A | 1 | Primer Base Primer Base kits are not interchangeable. |



| Ref # | Part Number | Qty | Description |
|-------|-------------|-----|---|
| 1 | 88060 | 2 | SCREW- (10-24 x 2 1/2") |
| 2 | A98780 | 1 | COVER- Muffler |
| 3 | 98782 | 1 | BAFFLE- Muffler |
| 4 | 98784A | 1 | SCREEN- Spark |
| 5 | 98860A | 2 | SPACER- Muffler |
| 6 | 98783 | 1 | PLATE- Reinforcing |
| 7 | A01323 | 1 | BODY- Muffler |
| 8 | 98786B | 1 | GASKET- Muffler |
| 9 | 96169S | 1 | SPARK PLUG (DJ7Y) |
| | 79252 | 1 | SPARK PLUG (RDJ7Y) (Int'l) |
| 10 | A00108 | 1 | CYLINDER & GASKET (ST-145,ST-155,ST-175BCST-175C,ST-175G,ST-185BC,ST- |
| 11 | 03703A | 1 | GASKET- Cylinder |
| | A03785A | 1 | CYLINDER & GASKET (HLT-16,HLT-17C,HLT-28,HBC-18,HBC-30,HBC-30B) |
| 12 | 03703A | 1 | GASKET- Cylinder |
| | A04258 | 1 | PISTON & ROD ASSEMBLY (ST-145,ST-155,ST-175BC,ST-175C,ST-175G,ST-185BC |
| 13 | 96935 | 1 | RING- Piston |
| | A03705 | 1 | PISTON & ROD ASSEMBLY (HLT-16,HLT-17C,HLT-28,HBC-18,HBC-30,HBC-30B) |
| 14 | 03179 | 2 | RING- Piston |
| | A00517 | 1 | CRANKCASE (ST-145, ST-155, ST-175G, ST-275, GST, HGT) |
| 15 | A00574 | 1 | CRANKCASE (HLT-16, HLT-28) |
| 16 | 69250 | 1 | KEY- Woodruff |
| 17 | A00681 | 1 | LEAD- Electrical (ST-385BC, HBC-30, HBC-30B) |
| | A98918 | 1 | LEAD- Electrical (ST-175BC,ST-175C,ST-185BC,ST-285BC,HLT-17C,HBC-18) |
| 18 | A98809 | 1 | LEAD- Electrical (ST-145,ST-155,ST-175G,ST-275,GST,HGT,HLT-16,HLT-28 |
| 19 | 94711CS | 1 | MODULE- Ignition |
| 20 | 69326 | 1 | LEAD- High-Tension |
| 21 | A33055 | 1 | TERMINAL- High-Tension |
| 22 | 82540 | 2 | SCREW- Taptite (8-32 x 1") |
| 23 | 98792 | 3 | BUMPER- Rubber |
| 24 | 82569 | 3 | SCREW- (10-24 x 3/4") (T-27) |
| 25 | A04158 | 1 | ROTOR (ST-145, ST-155, ST-175G, ST-275, HGT, GST, HLT-16, HLT-28) |
| 26 | A70285E | 1 | KIT- Starter pawl |
| 27 | 84065 | 1 | WASHER- Flat (5/16") (ST-145,ST-155,ST-175GST-275,GST,HGT,HLT-16,HLT |
| 28 | 98795A | 1 | CONNECTOR- Drive (ST-145, ST-155, ST-175G, ST-275, HLT-16, HLT-28) |
| 29 | 82541 | 4 | SCREW- Plastite (10 x 1/2") |
| 30 | 98791 | 1 | BRACKET- Retaining |
| 31 | 9789902 | 1 | ROPE- Starter (42") |
| 32 | A98773 | 1 | SPRING & CONTAINER |
| 33 | 98770 | 1 | PULLEY- Starter |
| 34 | A02576B | 1 | HOUSING Engine (ST-175BC,ST-175C,ST-185BC,ST-285BC,ST-385BC,HLT-17 |

| Ref # | Part Number | Qty | Description |
|-------|-------------|-----|--|
| | A02575B | 1 | HOUSING- Engine (ST-145, ST-155, ST-175G, ST-275, HLT-16, HLT-28) |
| 35 | 02264 | 1 | GRIP- Starter |
| 36 | 82522 | 1 | SCREW- Pan hd. (#10 x 3/8") |
| 37 | 98802A | 1 | CLAMP |
| 38 | 82268 | 1 | SCREW- Hex sems (10-24 x 3/8") |
| 39 | 97574 | 1 | NUT- Square |
| 40 | 98929A | 1 | WASHER- Clutch (ST-175BC,ST-175C,ST-185BC,ST-285BC,GST-BC,HLT-17C, |
| 41 | 00242 | 1 | CLUTCH (ST-175BC, ST-175C,ST-185BC,ST-285BC,ST-385BC,GST-BC,HLT-17C-I |
| 42 | A02727 | 1 | CONNECTOR & DRUM (ST-175BC,ST-175C,ST-185BC,ST-285BC,ST-85BC,GST-BC |
| | A03485A | 1 | CONNECTOR & DRUM (HLT-17C-UT2059-A, HBC-18, HBC-30, HBC-30B) |
| 43 | A02396A | 1 | TUBE ADAPTOR (ST-175BC,ST-175C,ST-185BC,ST-285BC,ST-385BC,GST-BC |
| 44 | 88054 | 1 | SCREW (10-24 x 1 1/4") |
| 45 | 81208 | 1 | NUT (10-24) |
| 46 | 88052 | 1 | SCREW (10-24 x 7/8") |
| 47 | 82538 | 1 | SCREW- Taptite (10-24 x 3/4") |
| 48 | A98919A | 1 | LEAD- Ground |
| 49 | 02851 | 1 | TERMINAL |
| 50 | A98808 | 1 | BRACKET- Cable |
| 51 | A01441 | 1 | TANK- Fuel |
| 52 | 49422 | 1 | FILTER- Fuel |
| 53 | 0143932 | 1 | TUBING- Rubber (8") |
| 54 | 9477232 | 1 | TUBING- Rubber (8") |
| 55 | 98268 | 1 | CLAMP- Wire |
| 56 | A00982A | 1 | FUEL CAP ASSEMBLY |
| 57 | 98805A | 1 | GASKET- Fuel cap |
| 58 | 03134 | 1 | VALVE- Duck bill |
| 59 | 98913 | 1 | FILTER- Cap |
| 60 | A00856 | 1 | ROTOR (ST-175BC,ST-175C,ST-185BC,ST-285BC,ST-385BC,GST-BC |
| 61 | A70285E | 1 | STARTER PAWL |
| 62 | 95479A | 1 | WASHER |
| 63 | 035662 | 1 | SPACER |
| | A00857 | 1 | ROTOR (HLT-17C-UT-20596-A, HLT-16, HLT-28, HBC-18, HBC-30, HBC-30B) |
| | A70285E | 1 | STARTER PAWL |
| | 95479A | 1 | WASHER |
| | 035661 | 1 | SPACER |
| 64 | A00575 | 1 | CRANKCASE (ST-175BC, ST-175C, ST-185BC, ST-285BC, ST-385BC, GST-BC) |
| | A00551 | 1 | CRANKCASE (HLT-17C, HBC-18, HBC-30, HBC-30B) |
| 65 | A01440A | 1 | AIR FILTER BOX |
| 66 | 98943 | 1 | DECAL- Push-Hold |
| 67 | 00772 | 1 | DECAL- Choke-Run |
| 68 | D98760A | 1 | FILTER- Air |
| 69 | 82542 | 1 | SCREW- (10-24 x 2 1/4") |
| 70 | 98769 | 1 | BUTTON- Switch |
| 71 | 95020 | 1 | SPRING- Compression |

| Ref # | Part Number | Qty | Description |
|-------|-------------|-----|--------------------------------|
| 72 | 93923 | 1 | SCREW- Plastite (#6) |
| 73 | A03003 | 1 | CARBURETOR (Walbro) |
| | A03002 | 1 | CARBURETOR (Zama) |
| 74 | 98766A | 1 | GASKET- Carburetor |
| 75 | 825491 | 1 | SCREW- Taptite (10-24 x 1") |
| 76 | 98768 | 1 | HEAT DAM |
| 77 | 81208 | 1 | NUT (10-24) |
| 78 | 98765B | 1 | GASKET- Heat dam |
| 79 | A00858 | 1 | CRANKCASE COVER |
| 80 | 98767A | 1 | GASKET- Crankcase cover |
| 81 | A00254 | 1 | WIRE GUARD KIT |
| 82 | 88049 | 1 | SCREW- Hex sems (10-24 x 1/2") |
| 83 | 81208 | 1 | NUT (10-24) |