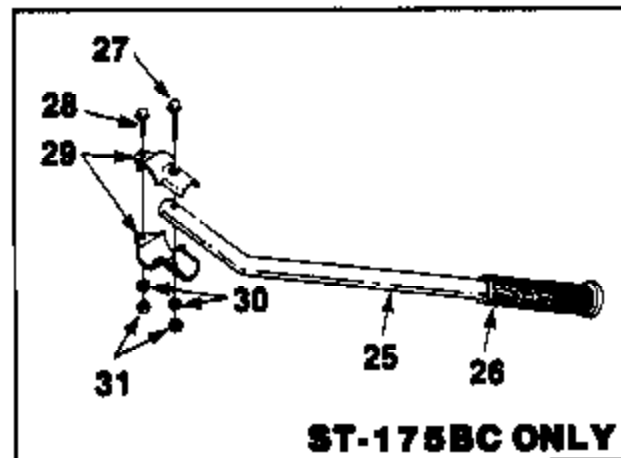
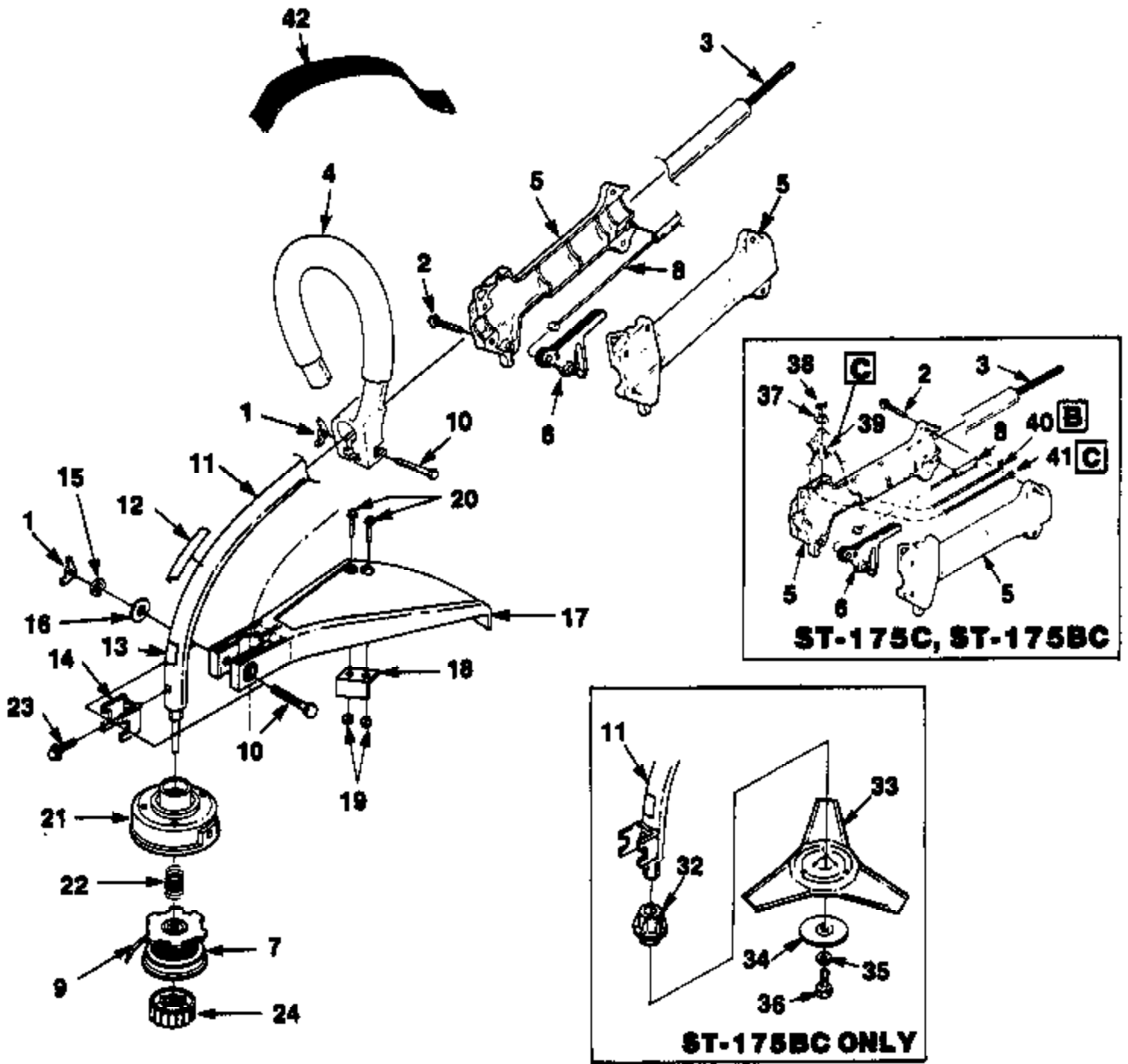


ACCESSORIES
ACCESSOIRES
TOEBEHOREN
ZUBEHÖR
ACCESSORI
ACCESORIOS
ACESSÓRIOS

00063	00063	JA-31316-4
00063 Holding tool	00063 Ignition Test Spark Plug	JA-31316-4
00063 Outil de maintien	00063 Testeur d'allumage	
00063 Blokkeerpen	00063 Bougie voor ontstekingscontrole	
00063 Haltewerkzeug	00063 Testzündkerze für Zündprüfung	
00063 Attrezzo di bloccaggio	00063 Candela di collaudo	
00063 Herramienta sujetadora	00063 Bujía para probar el encendido	
00063 Acessório de suporte	00063 Vela de ensaio de ignição	
18453	94772-00	
18453 Grease, Multi-Purpose	94772-00 Rubber Tubing (10 ft) (3,05 m)	
18453 Graisse universelle	94772-00 Tubes en caoutchouc (3,05 m)	
18453 Universeel vet	94772-00 Rubber slang (3,05 m)	
18453 Mehrzweck-Schmiermittel	94772-00 Gummirohr (3,05 m)	
18453 Grasso, multiuso	94772-00 Dotto di gomma (3,05 m)	
18453 Grasa universal	94772-00 Tubo de caucho (3,05 m)	
18453 Lubrificante, para fins múltiplos	94772-00 Tubo de borracha (3,05 m)	
17789	86052-A	
17789 Carburetor Repair Tool	86052-A Starter Rope (280 ft Reel) (76 m)	
17789 Outil de réparation de carburateur	86052-A Cordon de lanceur (bobine de 76 m)	
17789 Reparatiegereedschap voor carburateur	86052-A Startkoord (spoel met 76 m)	
17789 Vergaser-Reparaturwerkzeug	86052-A Starterseli (76 m Spule)	
17789 Attrezzo di riparazione del carburatore	86052-A Corda d'avviamento (bobina de 76 m)	
17789 Herramienta de reparación del carburador	86052-A Cuerda de arranque (carrete de 76 m)	
17789 Ferramenta de reparação do carburador	86052-A Cabo do arrancador (rolo de 76 m)	
23488-C	24982-01	
23488-C Thread Locking Compound	24982-01 Torx Drive Bit T25	
23488-C Produit de blocage de filetage	24982-01 Foret torx	
23488-C Borgmiddel voor schroefdraden	24982-01 Torx-drijfbit	
23488-C Gewinde-Sicherungsmasse	24982-01 Torx-Antriebsbit	
23488-C Composto di bloccaggio della filettatura	24982-01 Punta Torx Drive	
23488-C Pasta selladora de roscas	24982-01 Broca de empuxe Torx	
23488-C Composto de retenção de roscas	24982-01 Broca accionadora Torx	
24309	24982-03	
24309 Shim (.125") (3,17 mm)	24982-03 Torx Bit (for clutch drum) T25	
24309 Cale (3,17 mm)	24982-03 Foret torx (pour tambour d'embrayage)	
24309 Afstandsbus (3,17 mm)	24982-03 Torx drijfbit (voor koppelingstrommel)	
24309 Distanzscheibe (3,17 mm)	24982-03 Torx-Antriebsbit (für Kupplungstrommel)	
24309 Spessore (3,17 mm)	24982-03 Punta Torx Drive (per il tamburo della frizione)	
24309 Suplemento (3,17 mm)	24982-03 Broca de empuxe Torx (tambor del embrague)	
24309 Calço (3,17 mm)	24982-03 Broca Torx (para o tambor de embreagem)	
A-04191		
A-04191 Grease Anti Wrap Kit		
A-04191 Nécessaire anti-enroulement d'herbe		
A-04191 Apparatuur om te voorkomen dat gras zich rond de aandrijf/as wikkelt		
A-04191 Graerückhalter		
A-04191 Kit antilavvoigmento d'erba		
A-04191 Dispositivo contra la acumulación de pasto		
A-04191 Dispositivo contra a acumulação de relva		

Ref #	Part Number	Qty	Description
00063	00063	1	Holding tool
18453	18453	1	Grease, Multi-Purpose
17789	17789	1	Carburetor Repair Tool
23488C	23488C	1	Thread Locking Compound
24306	24306	1	Shim (.125") (3.17 mm)
A-04191	A04191	1	Grass Anti Wrap Kit ST-145, ST-155, ST-175, ST-175C, ST-175BC, HGT, GST
JA313164	JA313164	1	Ignition Test Spark Plug
9477299	9477299	1	Rubber Tubing (10 ft.) (3.05 m)
98052-A	98052A	1	Starter Rope (250 ft. Reel) (76 m)
2498201	2498201	1	Torx Drive Bit T25
24982-03	2498203	1	Torx Bit (for clutch drum) T25



Ref #	Part Number	Qty	Description
1	93992	2	NUT- Wing
2	82368	5	SCREW- Plastite (#8 x 3/4")
3	98816	1	SHAFT- Flexible
4	A98525	1	HANDLE- Front
5	A00879	1	HANDLE GRIP ASSEMBLY
6	98772A	1	TRIGGER
7	DA98911B	1	SPOOL & STRING (ST-155) (Dual Line)
	DA98912B	1	SPOOL & STRING (Dual Line)
8	A03006	1	CABLE-Throttle
9	DA97952B	1	LINE- Replacement (.080 Dia.) (100 Ft.)
10	80295	2	SCREW (10-24 x 2")
11	A00104A	1	HOUSING- Drive Shaft
12	989231	1	DECAL- Starting Instructions
13	02985	1	DECAL- Warning
14	98853	1	CLAMP
	A02720	1	HOUSING- Drive shaft (ST-175BC Only)
	00588	1	DECAL (ST-175BC Only)
	02985	1	DECAL- Warning (ST-175BC Only)
	98853	1	CLAMP (ST-175BC Only)
	989241	1	DECAL- Instr. (ST-175BC Only) (Not Shown)
15	83009	1	LOCKWASHER (1/4")
16	84006	1	WASHER- Flat (1/4")
17	98821	1	DEFLECTOR- Grass
	02610	1	DEFLECTOR- Grass (ST-175BC & GST)
18	A03834	1	BLADE- Cut-off (Models 145 & 155)
	A03832	1	BLADE- Cut-off (Models 175, 175C, ST-175BC & HGT)
	A03833	1	BLADE- Cut-off (Model GST)
19	81261	2	NUT (10-24)
20	82531	2	SCREW (10-24 x 7/8")
21	A98231A	1	HOUSING & EYELET- Dual line
22	98848	1	SPRING- Compression
23	88077	1	SCREW (10-24 x 3/8")
24	DA98866A	1	RETAINER- Spool (R.H. Threaded)
	A02781	1	RETAINER- Spool (ST-175BC)
25	A97709A	1	HANDLE BAR (ST-175BC)
26	94474B	1	GRIP (ST-175BC)
27	88071	1	SCREW (ST-175BC)
28	88078	1	SCREW (ST-175BC)
29	00422	1	CLAMP (ST-175BC)
30	83061	1	WASHER (ST-175BC)
31	81267	1	NUT (ST-175BC)
32	02617	1	ADAPTOR (ST-175BC)
33	DA02616A	1	BLADE- Weed (ST-175BC)
34	00580	1	WASHER- Cupped (ST-175BC)
35	83030	1	WASHER (ST-175BC)
36	80085	1	SCREW (ST-175BC)
37	95231	1	PLATE- Indicating (ST-175C & ST-175BC)
38	72084A1	1	NUT (ST-175C & ST-175BC)
39	93653	1	SWITCH- Toggle (ST-175C & ST-175BC)
40	A98918	1	LEAD- Electrical (ST-175C & ST-175BC)
41	A98919	1	LEAD- Ground (ST-175C & ST-175BC)
42	DA92703B	1	HARNESS w/connector (GST & ST-175BC)

EN CARBURETOR
FR CARBURATEUR
DE CARBURATEUR
ES VERGASER
IT CARBURATORE
PT CARBURADOR
RU CARBURADOR

EN ZAMA A-03003
FR Repair Kit A-03078
Jeu de réparation
Reparatieset
Reparatursatz
Kit per riparazioni
Juego de reparación
Jogo de reparacão

EN Gasket/Diaphragm Kit A-03080
Jeu joint/diaphragme
Pakking/membraan set
Dichtung/Membrane-Satz
Kit diaframma/guarnizione
Conjunto junta/diafragma
Jogo de juntas vedantes/diafragmas

EN Primer Bulb A-01185-A
Bouton d'amorçage
Voorinspuitspomp
Vorpumpe
Cicchetto
Bulbo cebador
Bomba da unidade de escorvagem

EN Primer Base* (Aluminum) A-01184
Primer Base* (Plastic) A-03062
Base d'amorçage* (aluminium)
Base d'amorçage* (plastique)
Voorinspuit-sokkel* (aluminium)
Voorinspuit-sokkel* (plastic)
Vorpumpen-Sockel* (Aluminium)
Vorpumpen-Sockel* (Plastik)
Base del cicchetto* (aluminio)
Base del cicchetto* (plástico)
Base de cebador* (aluminio)
Base de cebador* (plástico)
Base da unidade de escorvagem* (Alumínio)
Base da unidade de escorvagem* (Plástico)

EN *Primer Base kits are not interchangeable.
*Les jeux de base d'amorçage ne sont pas interchangeables.
*Sokkel-sets voor voorinspuiten zijn niet verwisselbaar.
*Sockelsets für die Vorpumpe sind nicht austauschbar.
*I kit della base del cicchetto non sono intercambiabili.
*Los juegos de base de cebador no son intercambiables.
*Os jogos de base da unidade de escorvagem não são intercambiáveis.

EN Swivel Kit A-00289
Jeu de pivots
Zwenkset
Drehzapfen-Satz
Serie di ingranaggi giravoli
Juego de enganche giratorio
Jogo da rótula

EN WALBRO A-03002
FR Repair Kit A-03065
Jeu de réparation
Reparatieset
Reparatur-Satz
Kit di riparazione
Juego de reparación
Jogo de reparacão

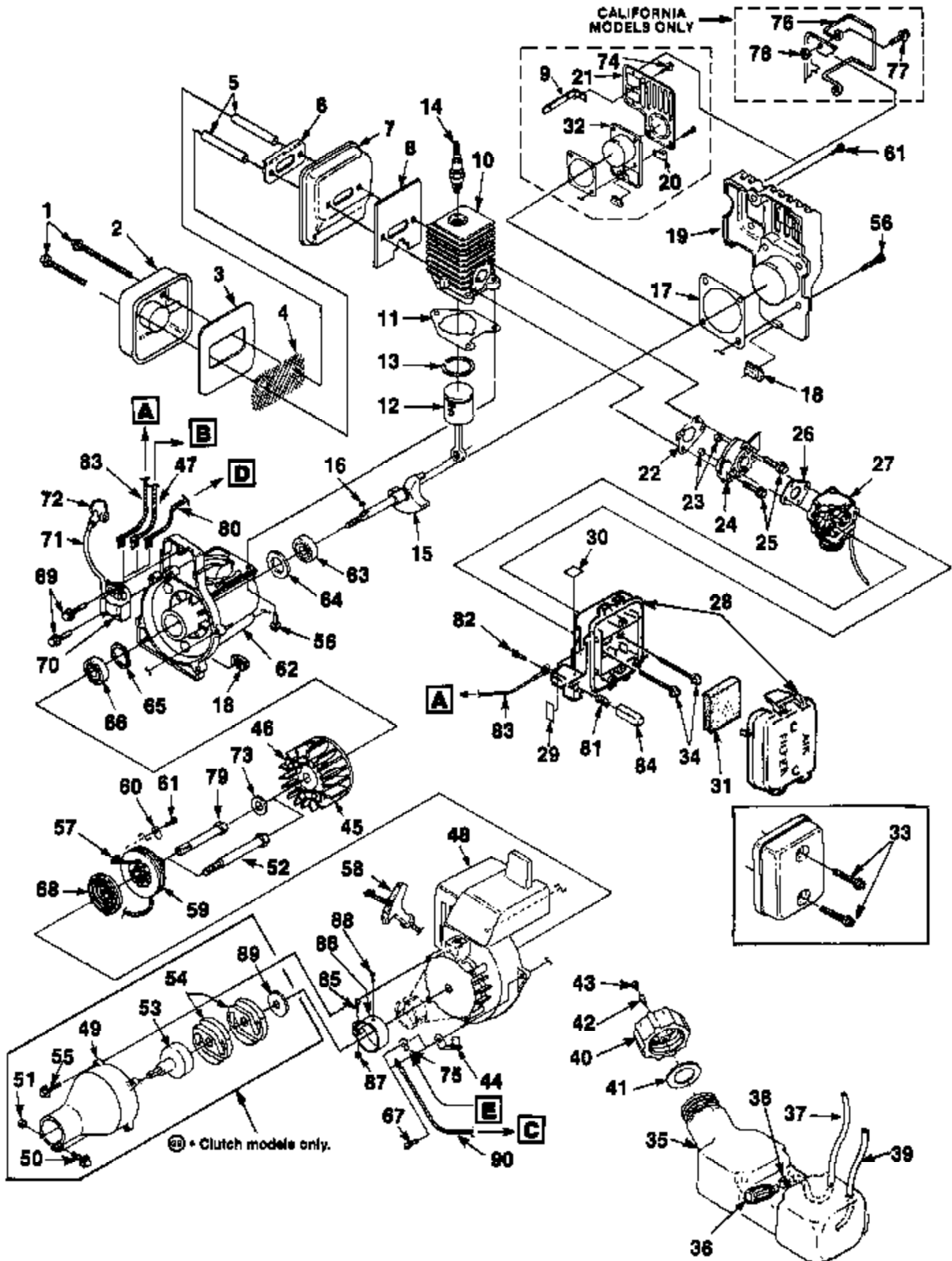
EN Gasket/Diaphragm Kit A-00285-A
Jeu joint/diaphragme
Pakking/membraan set
Dichtung/Membrane-Satz
Kit diaframma/guarnizione
Conjunto junta/diafragma
Jogo de juntas vedantes/diafragmas

EN Swivel Kit A-00289
Jeu de pivots
Zwenkset
Drehzapfen-Satz
Serie di ingranaggi giravoli
Juego de enganche giratorio
Jogo da rótula

EN Primer Bulb 01201
Bouton d'amorçage
Voorinspuitspomp
Vorpumpe
Cicchetto
Bulbo cebador
Bomba da unidade de escorvagem

EN Primer Base* A-01200-A
Base d'amorçage*
Voorinspuit-sokkel*
Vorpumpen-Sockel*
Base del cicchetto*
Base de cebador*
Base da unidade de escorvagem*

Ref #	Part Number	Qty	Description
A-03003	A03003	1	ZAMA
A-03979	A03979	1	Repair Kit
A-03980	A03980	1	Gasket/Diaphragm Kit
A-01195-A	A01195A	1	Primer Bulb
A-01194	A01194	1	Primer Base (Aluminum) Primer Base kits are not interchangeable.
A-03062	A03062	1	Primer Base (Plastic) Primer Base kits are not interchangeable.
A-00289	A00289	1	Swivel Kit
A-03002	A03002	1	WALBRO
A-02665	A02665	1	Repair Kit
A00285A	A00285A	1	Gasket/Diaphragm Kit
A-00289	A00289	1	Swivel Kit
01201	01201	1	Primer Bulb
A-01200-A	A01200A	1	Primer Base



Ref #	Part Number	Qty	Description
1	88060	2	SCREW- (10-24 x 2 1/2")
2	A98780	1	COVER- Muffler
3	98782	1	BAFFLE- Muffler
4	98784A	1	SCREEN- Spark
5	98860A	2	SPACER- Muffler
6	98783	1	PLATE- Reinforcing
7	A01323	1	BODY- Muffler
8	98786B	1	GASKET- Muffler
9	00179	1	BRACKET-
10	A00108	1	CYLINDER
11	03703A	1	CYLINDER- Gasket
12	A01036A	1	PISTON & ROD ASSEMBLY
13	96935	1	RING- Piston
14	96169S	1	SPARK PLUG (DJ7Y)
	79252	1	SPARK PLUG (RDJ7Y) (Int'l)
15	987582	1	CRANKSHAFT (Model 145 & 155)
	987583	1	CRANKSHAFT (Models 175,175C,175BC,185,185C,285,275,285BC,385,385C,
16	69250	1	KEY- Woodruff
17	98767A	1	GASKET- Crankcase cover
18	98792	3	BUMPER- Rubber
19	01023B	1	COVER- Crankcase
20	98752	1	CLAMP
21	98934	1	SHIELD
22	98765B	1	GASKET- Heat dam
23	81208	2	NUT (10-24)
24	98768	1	HEAT DAM
25	825491	2	SCREW- Taptite (10-24 x 1")
26	98766A	1	GASKET- Carburetor
27	A03003	1	CARBURETOR- (Zama)
	A03002	1	CARBURETOR- (Walbro)
28	A01440A	1	AIR FILTER BOX
29	00772	1	DECAL- Choke, Run
30	98943	1	DECAL- Push-Hold
31	D98760A	1	FILTER- Air
32	98754B	1	COVER- Crankcase
33	82368	2	SCREW- Plastite (8 x 3/4")
34	82542	2	SCREW (10-24 x 2 1/4")
35	A01441	1	TANK- Fuel
36	49422	1	FILTER- Fuel
37	9477232	1	TUBING- Rubber (8")
38	98268	1	WIRE CLAMP
39	0143932	1	TUBING- Rubber (8")
40	A00982A	1	FUEL CAP ASSEMBLY
41	98805A	1	GASKET- Fuel cap
42	03134	1	VALVE- Duckbill
43	98913	1	FILTER-Cap
44	A98808	1	BRACKET-Cable
45	A95007	1	ROTOR
46	A70285E	1	KIT- Starter pawl
47	A98918	1	LEAD- Electrical (Models 175BC,185,185C,285BC,385-UT-15040&UT10540-A,
48	A02576B	1	HOUSING- Engine (Clutch Models Only)
	A02575	1	HOUSING- Engine (Non-Clutch Models)
49	A02396A	1	TUBE ADAPTOR
50	88054	1	SCREW (10-24 x 1 1/4")
51	81208	1	NUT(10-24)

Ref #	Part Number	Qty	Description
52	01547	1	ADAPTOR- Clutch (Clutch Models Only)
53	A02727	1	CONNECTOR & DRUM
54	00242	2	CLUTCH
55	88052	4	SCREW (10-24 x 7/8")
56	82538	3	SCREW (10-24 x 3/4")
57	9789902	1	ROPE- Starter (42")
58	02264	1	GRIP- Starter
59	98770	1	PULLEY- Starter
60	98791	1	BRACKET- Retaining
61	82541	2	SCREW- Plastite (10 x 1/2")
62	A00107A	1	CRANKCASE ASSEMBLY
63	98797	1	BEARING- Ball
64	98800	1	SEAL
65	98799	1	RING- Retaining
66	98798	1	BALL- Bearing
67	82538	5	SCREW- Taptite (10-24 x 3/4")
68	A98773	1	SPRING & CONTAINER
69	82540	2	SCREW- Taptite (8-32 x 1")
70	94711CS	1	MODULE- Ignition
71	69326	1	LEAD- High-Tension
72	A33055	1	TERMINAL- High-Tension
73	84065	1	WASHER- Flat (5/16") (Non-Clutch Models)
74	88077	1	SCREW- Hex sems (10-24 x 3/8")
75	02851	1	TERMINAL (Models 385--UT15040B, UT15040C, & UT15040D) (Model 485)
76	A00254	1	WIRE GUARD KIT (California Models Only)
77	88049	2	SCREW- Hex sems (10-24 x 1/2")
78	81208	2	NUT- (10-24)
79	98795A	1	CONNECTOR- Drive (Non Clutch Models)
80	A00681	1	LEAD- Electrical (Model 385--UT15040B, UT15040C, UT15040D & Model 485)
81	95020	1	SPRING- Compression
82	82513	1	SCREW- Thread Forming
83	A98809	1	LEAD- Electrical (Models 145, 155, 175, 175C, 285, HGT & GST)
84	98769	1	BUTTON- Switch
85	82268	1	SCREW- Hex sems (10-24 x 3/8")
86	98802A	1	CLAMP
87	97574	1	NUT- Square
88	82455	1	SCREW
89	98929A	1	WASHER- Clutch
90	A98919	1	LEAD- Ground (Models 185 & 385--UT15040 & UT15040A)