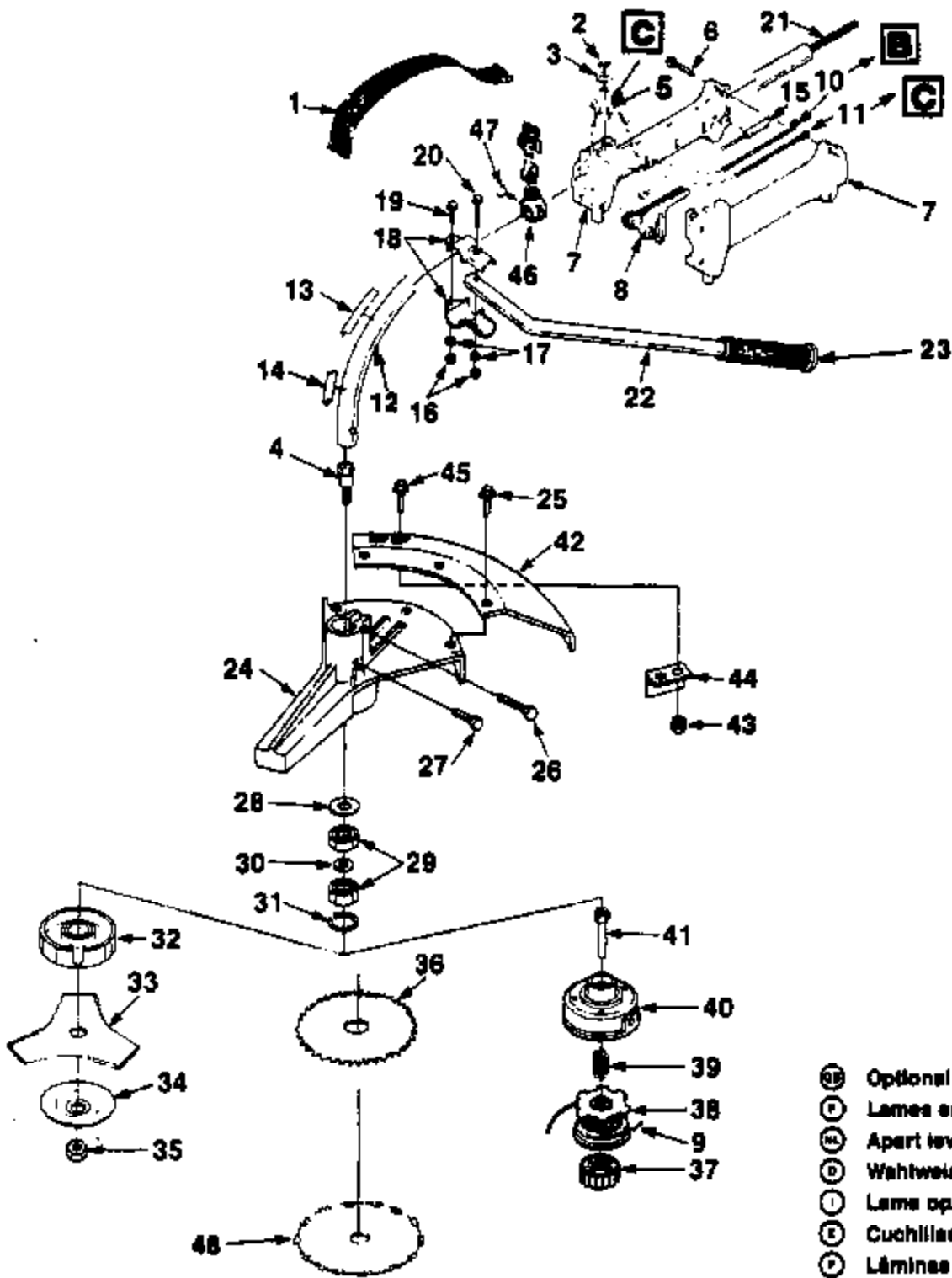


A ACCESSORIES
A ACCESSOIRES
A TOEGEHOREN
A ZUBEHÖR
A ACCESSORI
A ACCESORIOS
A ACESSÓRIOS

A Holding tool 00063	A Ignition Test Spark Plug JA-31316-4
P Outil de maintien	P Testeur d'allumage
NL Blokkeerpen	NL Bougie voor ontstekingscontrole
D Haltewerkzeug	D Testzündkerze für Zündprüfung
I Attrezzo di bloccaggio	I Candela di collaudo
E Herramienta sujetadora	E Bujía para probar el encendido
P Acessório de suporte	P Vela de ensaio de ignição
A Grease, Multi-Purpose 18453	A Rubber Tubing (10 ft) (3,05 m) 94772-09
P Graisse universelle	P Tubes en caoutchouc (3,05 m)
NL Universeel vet	NL Rubber slang (3,05 m)
D Mehrzweck-Schmiermittel	D Gummirohr (3,05 m)
I Grasso, multiuso	I Dotto di gomma (3,05 m)
E Grasa universal	E Tubo de caucho (3,05 m)
P Lubrificante, para fins múltiplos	P Tubo de borracha (3,05 m)
A Carburetor Repair Tool 17789	A Starter Rope (250 ft Reel) (76 m) 86052-A
P Outil de réparation de carburateur	P Cordon de lanceur (bobine de 76 m)
NL Reparatiegereedschap voor carburateur	NL Startkoord (spoel met 76 m)
D Vergaser-Reparaturwerkzeug	D Starterseli (76 m Spule)
I Attrezzo di riparazione del carburatore	I Corda d'avviamento (bobina da 76 m)
E Herramienta de reparación del carburador	E Cuerda de arranque (carrete de 76 m)
P Ferramenta de reparação do carburador	P Cabo do arrancador (rolo de 76 m)
A Thread Locking Compound 23488-C	A Torx Drive Bit T25 24982-01
P Produit de blocage de filetage	P Foret torx
NL Borgmiddel voor schroefdraden	NL Torx-drijfbit
D Gewinde-Sicherungsmasse	D Torx-Antriebsbit
I Composto di bloccaggio della filettatura	I Punta Torx Drive
E Pasta selladora de roscas	E Broca de empuje Torx
P Composto de retenção de roscas	P Broca accionadora Torx
A Shim (.125") (3,17 mm) 24309	A Torx Bit (for clutch drum) T25 24982-03
P Cale (3,17 mm)	P Foret torx (pour tambour d'embrayage)
NL Afstandsbus (3,17 mm)	NL Torx drijfbit (voor koppelingstrommel)
D Distanzscheibe (3,17 mm)	D Torx-Antriebsbit (für Kupplungstrommel)
I Spessore (3,17 mm)	I Punta Torx Drive (per il tamburo della frizione)
E Suplemento (3,17 mm)	E Broca de empuje Torx (tambor del embrague)
P Calço (3,17 mm)	P Broca Torx (para o tambor da embreagem)
A Grass Anti Wrap Kit A-04191	
P Nécessaire anti-enroulement d'herbe	
NL Apparatuur om te voorkomen dat gras zich rond de aandrijf/as wikkel	
D Graerückhalter	
I Kit antilavvolgimento d'erba	
E Dispositivo contra la acumulación de pasto	
P Dispositivo contra a acumulação de relva	

Ref #	Part Number	Qty	Description
00063	00063	1	Holding tool
18453	18453	1	Grease, Multi-Purpose
17789	17789	1	Carburetor Repair Tool
23488C	23488C	1	Thread Locking Compound
24306	24306	1	Shim (.125") (3.17 mm)
A-04191	A04191	1	Grass Anti Wrap Kit ST-145, ST-155, ST-175, ST-175C, ST-175BC, HGT, GST
JA313164	JA313164	1	Ignition Test Spark Plug
9477299	9477299	1	Rubber Tubing (10 ft.) (3.05 m)
98052-A	98052A	1	Starter Rope (250 ft. Reel) (76 m)
2498201	2498201	1	Torx Drive Bit T25
24982-03	2498203	1	Torx Bit (for clutch drum) T25



- Ⓐ Optional blades: #36 or #48
- Ⓑ Lames en option : N° 36 ou N° 48
- Ⓒ Apart leverbare messen: nr. 36 of nr. 48
- Ⓓ Wahlweise Sägeblätter: # 36 oder # 48
- Ⓔ Lame opzionale: n° 36 o n° 48
- Ⓕ Cuchillas opcionales: no. 36 o no. 48
- Ⓖ Láminas opcionales: n° 36 u n° 48

Ref #	Part Number	Qty	Description
1	DA92703B	1	HARNESS w/CONNECTOR
2	72084A1	1	NUT
3	95231	1	PLATE- Indicating
4	98834A	1	SHAFT- Spindle
5	93653	1	SWITCH- Toggle
6	82368	4	SCREW- Plastite (#8 x 3/4")
7	A00879	1	HANDLE GRIP ASSEMBLY
8	98772A	1	TRIGGER
9	DA97952B	1	LINE- Replacement (.080 Dia.) (100 Ft.)
10	A98918	1	LEAD- Electrical
11	A98919	1	LEAD- Ground
12	A00112C	1	HOUSING- Driveshaft
13	989241	1	DECAL- Starting Instructions
14	02985	1	DECAL- Warning
15	A03006	1	CABLE- Throttle
16	81267	2	NUT (1/4-20)
17	83061	2	WASHER (1/4")
18	00422	2	CLAMP- Handle bar
19	88078	1	SCREW (1/4-20 x 1")
20	88071	1	SCREW (1/4-20 x 1 1/2")
21	98818	1	SHAFT- Flexible
22	A97709A	1	HANDLE BAR
23	94474B	1	GRIP
24	987321B	1	HOUSING- Lower bearing
25	806813	3	SCREW (1/4-20 x 1/2")
26	88078	1	SCREW (1/4-20 x 1")
27	80869	1	SCREW (10-24 x 1/2")
28	98838	1	WASHER- Thrust
29	98798	2	BEARING- Ball
30	98839	1	SPACER- Bearing
31	98799	1	RING- Retaining
32	988351A	1	WASHER- Flange
33	D98717A	1	BLADE- Tri-Arc (8")
34	98836	1	WASHER- Cupped
35	81282	1	NUT- Hex locking (R.H.)
36	D98935A	1	BLADE- Saw (8") (optional)
37	A98866A	1	RETAINER- Spool (R.H. Thread)
38	DA98912B	1	SPOOL & STRING (Dual Line)
39	98848	1	SPRING- Compression
40	A98231A	1	HOUSING & EYELET (Dual Line)
41	98849	1	CONNECTOR- Drive
42	988451	1	DEFLECTOR- Grass
43	81208	2	NUT (10-32)
44	98858	1	BLADE- Cut-off
45	80869	2	SCREW (10-32 x 3/8")
46	A94442	1	BRACKET- Hanger
47	82260	1	SCREW- Thumb (10-24 x 1/2")
48	DA00714A	1	BLADE- Saw 7" "Machete" (optional)

EN CARBURETOR
FR CARBURATEUR
NL CARBURATEUR
D VERGASER
I CARBURATORE
E CARBURADOR
P CARBURADOR

EN ZAMA A-03003
FR Repair Kit A-03078
FR Jeu de réparation
NL Reparatieset
D Reparatursatz
I Kit per riparazioni
E Juego de reparación
P Jogo de reparacão

EN Gasket/Diaphragm Kit A-03080
FR Jeu joint/diaphragme
NL Pakking/membraan set
D Dichtung/Membrane-Satz
I Kit diaframma/guarnizione
E Conjunto junta/diafragma
P Jogo de juntas vedantes/diafragmas

EN Primer Bulb A-01185-A
FR Bouton d'amorçage
NL Voorinspuitspomp
D Vorpumpe
I Cicchetto
E Bulbo cebador
P Bolha da unidade de escorvagem

EN Primer Base* (Aluminum) A-01184
Primer Base* (Plastic) A-03062
FR Base d'amorçage* (aluminium)
Base d'amorçage* (plastique)
NL Voorinspuit-sokkel* (aluminium)
Voorinspuit-sokkel* (plastic)
D Vorpumpen-Sockel* (Aluminium)
Vorpumpen-Sockel* (Plastik)
I Base del cicchetto* (alluminio)
Base del cicchetto* (plastica)
E Base de cebador* (aluminio)
Base de cebador* (plástico)
P Base da unidade de escorvagem* (Alumínio)
Base da unidade de escorvagem* (Plástico)

EN *Primer Base kits are not interchangeable.
FR *Les jeux de base d'amorçage ne sont pas interchangeables.
NL *Sokkel-sets voor voorinspuiten zijn niet verwisselbaar.
D *Sockel-sätze für die Vorpumpe sind nicht austauschbar.
I *I kit della base del cicchetto non sono intercambiabili.
E *Los juegos de base de cebador no son intercambiables.
P *Os jogos de base da unidade de escorvagem não são intercambiáveis.

EN Swivel Kit A-00289
FR Jeu de pivots
NL Zwenkset
D Drehzapfen-Satz
I Serie di ingranaggi giravoli
E Juego de enganche giratorio
P Jogo da rótula

EN WALBRO A-03002
FR Repair Kit A-02065
FR Jeu de réparation
NL Reparatieset
D Reparatursatz
I Kit di riparazione
E Juego de reparación
P Jogo de reparacão

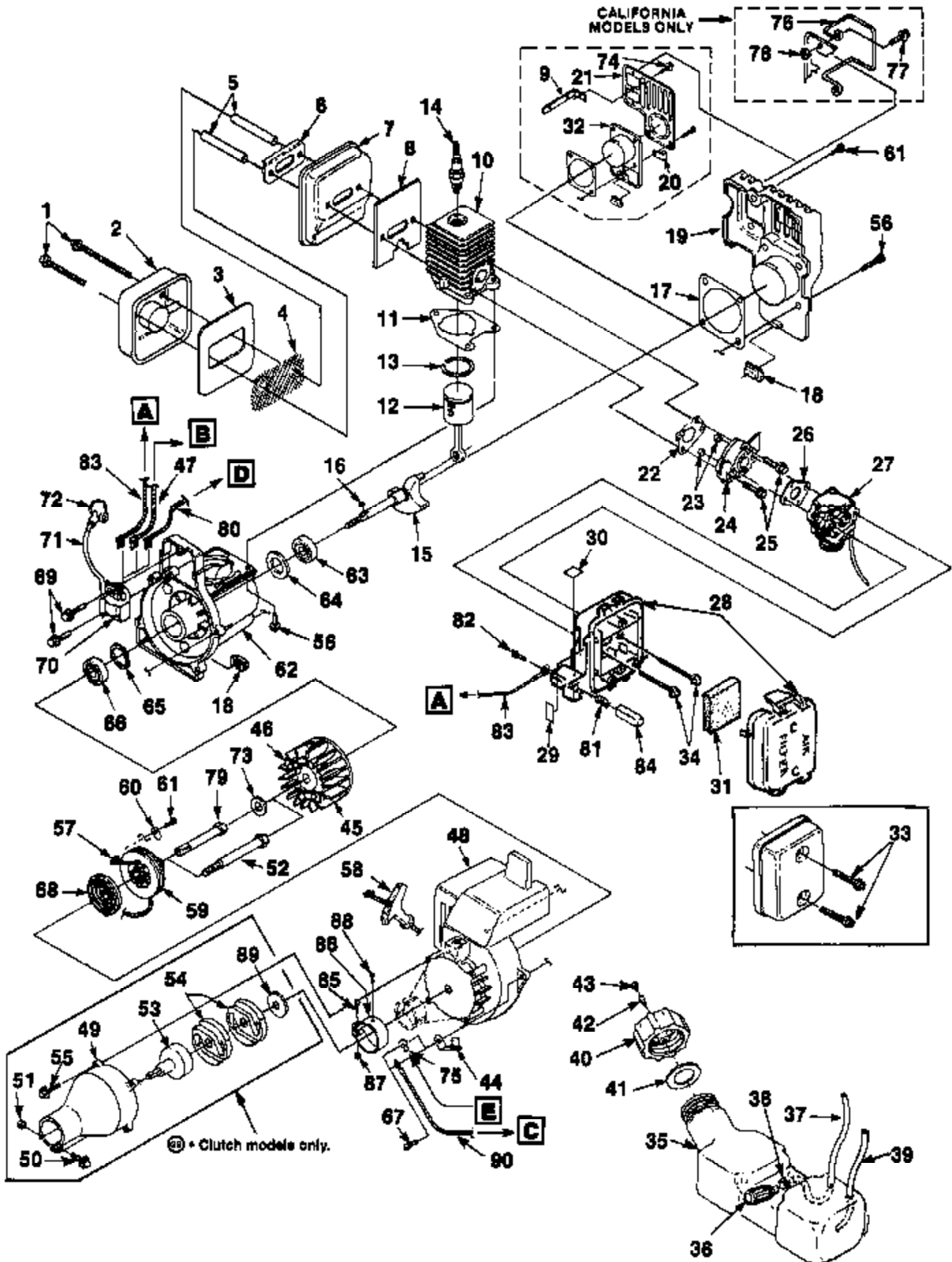
EN Gasket/Diaphragm Kit A-00285-A
FR Jeu joint/diaphragme
NL Pakking/membraan set
D Dichtung/Membrane-Satz
I Kit diaframma/guarnizione
E Conjunto junta/diafragma
P Jogo de juntas vedantes/diafragmas

EN Swivel Kit A-00289
FR Jeu de pivots
NL Zwenkset
D Drehzapfen-Satz
I Serie di ingranaggi giravoli
E Juego de enganche giratorio
P Jogo da rótula

EN Primer Bulb 01201
FR Bouton d'amorçage
NL Voorinspuitspomp
D Vorpumpe
I Cicchetto
E Bulbo cebador
P Bolha da unidade de escorvagem

EN Primer Base* A-01200-A
FR Base d'amorçage*
NL Voorinspuit-sokkel*
D Vorpumpen-Sockel*
I Base del cicchetto*
E Base de cebador*
P Base da unidade de escorvagem*

Ref #	Part Number	Qty	Description
A-03003	A03003	1	ZAMA
A-03979	A03979	1	Repair Kit
A-03980	A03980	1	Gasket/Diaphragm Kit
A-01195-A	A01195A	1	Primer Bulb
A-01194	A01194	1	Primer Base (Aluminum) Primer Base kits are not interchangeable.
A-03062	A03062	1	Primer Base (Plastic) Primer Base kits are not interchangeable.
A-00289	A00289	1	Swivel Kit
A-03002	A03002	1	WALBRO
A-02665	A02665	1	Repair Kit
A00285A	A00285A	1	Gasket/Diaphragm Kit
A-00289	A00289	1	Swivel Kit
01201	01201	1	Primer Bulb
A-01200-A	A01200A	1	Primer Base



Ref #	Part Number	Qty	Description
1	88060	2	SCREW- (10-24 x 2 1/2")
2	A98780	1	COVER- Muffler
3	98782	1	BAFFLE- Muffler
4	98784A	1	SCREEN- Spark
5	98860A	2	SPACER- Muffler
6	98783	1	PLATE- Reinforcing
7	A01323	1	BODY- Muffler
8	98786B	1	GASKET- Muffler
9	00179	1	BRACKET-
10	A00108	1	CYLINDER
11	03703A	1	CYLINDER- Gasket
12	A01036A	1	PISTON & ROD ASSEMBLY
13	96935	1	RING- Piston
14	96169S	1	SPARK PLUG (DJ7Y)
	79252	1	SPARK PLUG (RDJ7Y) (Int'l)
15	987582	1	CRANKSHAFT (Model 145 & 155)
	987583	1	CRANKSHAFT (Models 175,175C,175BC,185,185C,285,275,285BC,385,385C,
16	69250	1	KEY- Woodruff
17	98767A	1	GASKET- Crankcase cover
18	98792	3	BUMPER- Rubber
19	01023B	1	COVER- Crankcase
20	98752	1	CLAMP
21	98934	1	SHIELD
22	98765B	1	GASKET- Heat dam
23	81208	2	NUT (10-24)
24	98768	1	HEAT DAM
25	825491	2	SCREW- Taptite (10-24 x 1")
26	98766A	1	GASKET- Carburetor
27	A03003	1	CARBURETOR- (Zama)
	A03002	1	CARBURETOR- (Walbro)
28	A01440A	1	AIR FILTER BOX
29	00772	1	DECAL- Choke, Run
30	98943	1	DECAL- Push-Hold
31	D98760A	1	FILTER- Air
32	98754B	1	COVER- Crankcase
33	82368	2	SCREW- Plastite (8 x 3/4")
34	82542	2	SCREW (10-24 x 2 1/4")
35	A01441	1	TANK- Fuel
36	49422	1	FILTER- Fuel
37	9477232	1	TUBING- Rubber (8")
38	98268	1	WIRE CLAMP
39	0143932	1	TUBING- Rubber (8")
40	A00982A	1	FUEL CAP ASSEMBLY
41	98805A	1	GASKET- Fuel cap
42	03134	1	VALVE- Duckbill
43	98913	1	FILTER-Cap
44	A98808	1	BRACKET-Cable
45	A95007	1	ROTOR
46	A70285E	1	KIT- Starter pawl
47	A98918	1	LEAD- Electrical (Models 175BC,185,185C,285BC,385-UT-15040&UT10540-A,
48	A02576B	1	HOUSING- Engine (Clutch Models Only)
	A02575	1	HOUSING- Engine (Non-Clutch Models)
49	A02396A	1	TUBE ADAPTOR
50	88054	1	SCREW (10-24 x 1 1/4")
51	81208	1	NUT(10-24)

Ref #	Part Number	Qty	Description
52	01547	1	ADAPTOR- Clutch (Clutch Models Only)
53	A02727	1	CONNECTOR & DRUM
54	00242	2	CLUTCH
55	88052	4	SCREW (10-24 x 7/8")
56	82538	3	SCREW (10-24 x 3/4")
57	9789902	1	ROPE- Starter (42")
58	02264	1	GRIP- Starter
59	98770	1	PULLEY- Starter
60	98791	1	BRACKET- Retaining
61	82541	2	SCREW- Plastite (10 x 1/2")
62	A00107A	1	CRANKCASE ASSEMBLY
63	98797	1	BEARING- Ball
64	98800	1	SEAL
65	98799	1	RING- Retaining
66	98798	1	BALL- Bearing
67	82538	5	SCREW- Taptite (10-24 x 3/4")
68	A98773	1	SPRING & CONTAINER
69	82540	2	SCREW- Taptite (8-32 x 1")
70	94711CS	1	MODULE- Ignition
71	69326	1	LEAD- High-Tension
72	A33055	1	TERMINAL- High-Tension
73	84065	1	WASHER- Flat (5/16") (Non-Clutch Models)
74	88077	1	SCREW- Hex sems (10-24 x 3/8")
75	02851	1	TERMINAL (Models 385--UT15040B, UT15040C, & UT15040D) (Model 485)
76	A00254	1	WIRE GUARD KIT (California Models Only)
77	88049	2	SCREW- Hex sems (10-24 x 1/2")
78	81208	2	NUT- (10-24)
79	98795A	1	CONNECTOR- Drive (Non Clutch Models)
80	A00681	1	LEAD- Electrical (Model 385--UT15040B, UT15040C, UT15040D & Model 485)
81	95020	1	SPRING- Compression
82	82513	1	SCREW- Thread Forming
83	A98809	1	LEAD- Electrical (Models 145, 155, 175, 175C, 285, HGT & GST)
84	98769	1	BUTTON- Switch
85	82268	1	SCREW- Hex sems (10-24 x 3/8")
86	98802A	1	CLAMP
87	97574	1	NUT- Square
88	82455	1	SCREW
89	98929A	1	WASHER- Clutch
90	A98919	1	LEAD- Ground (Models 185 & 385--UT15040 & UT15040A)