

Homelite®

PARTS LIST

TrimLite™

UT20677B

UT20706

UT20720

UT20721

d725cd

UT20714

UT20696

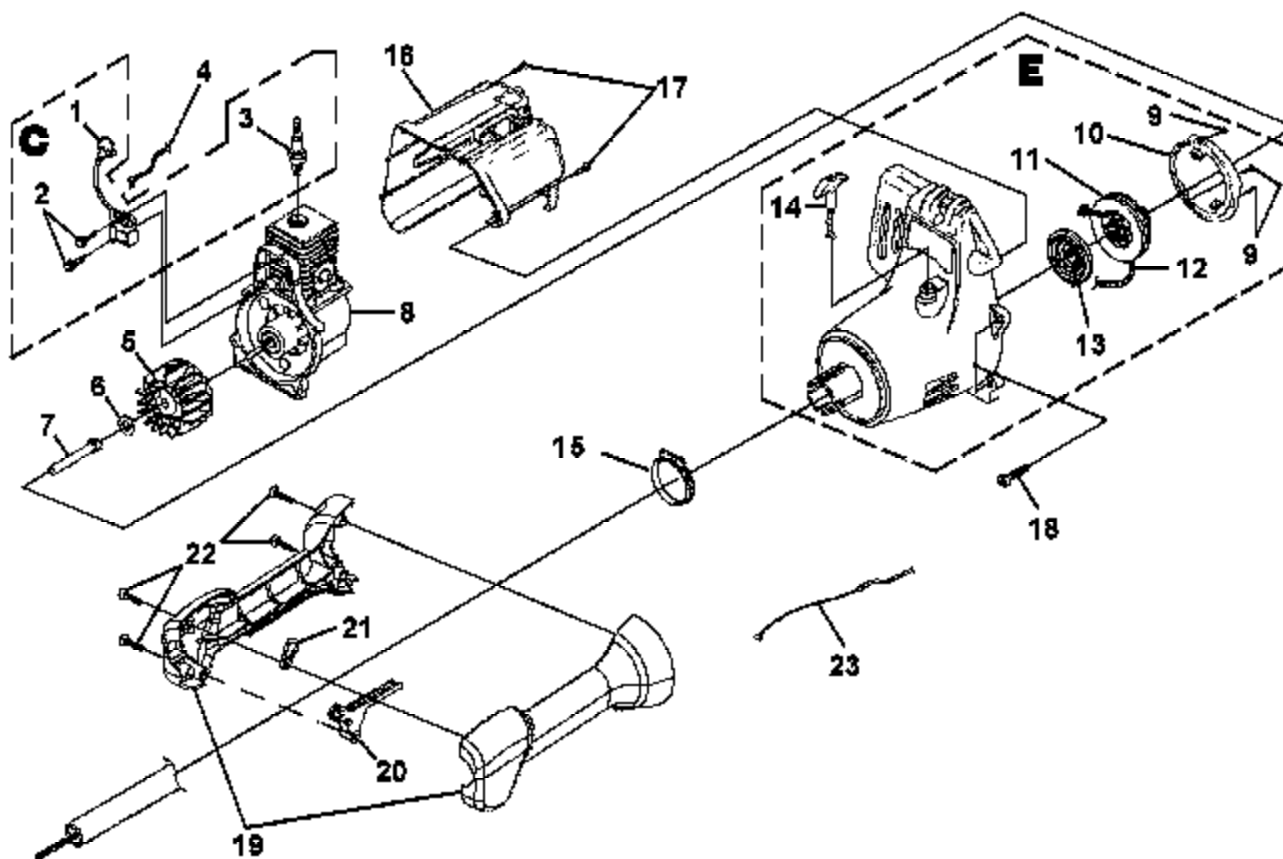
Easy Reach™

UT20715

UT20724

All Models

IGNITION - ROTOR - STARTER



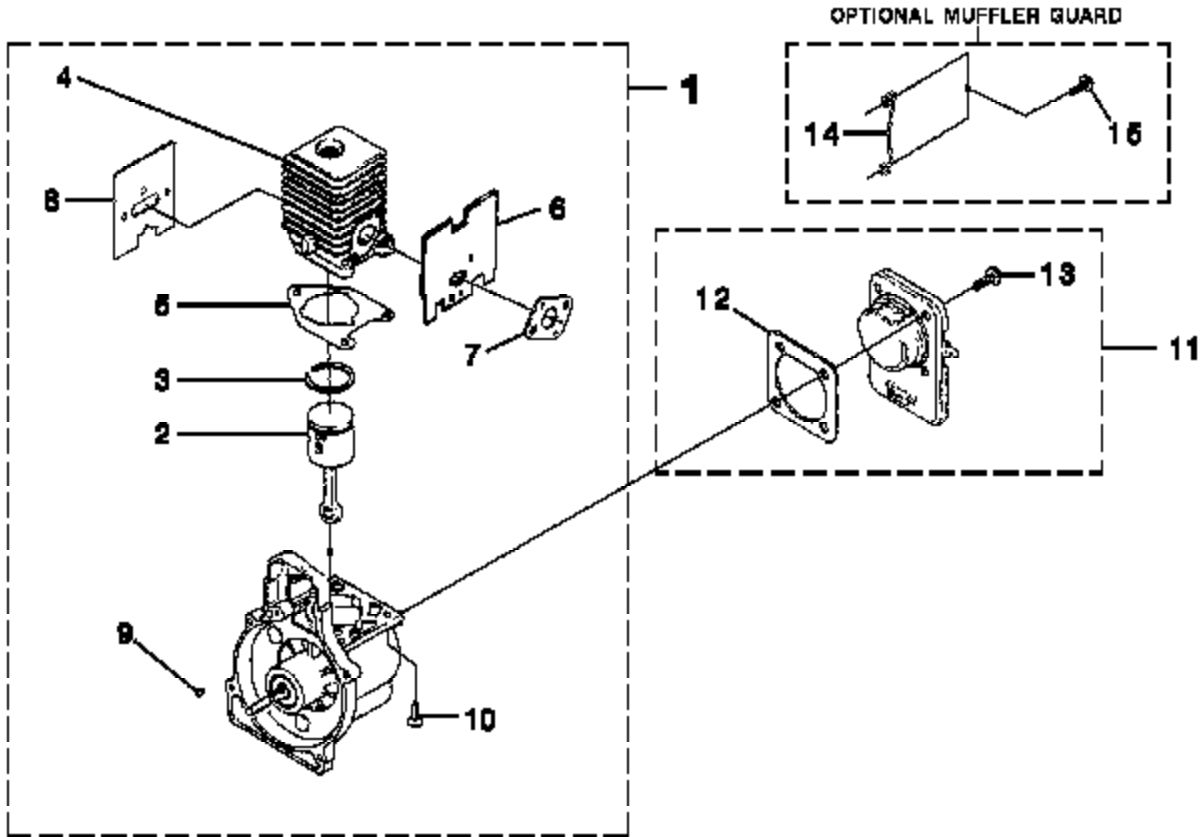
No.	Part No.	Description	Qty.
C	A 04446	IGNITION KIT	1
1	A 93065	TERMINAL & COVER	1
2	82540	SCREW-Taplite (8-32 X 1")	2
3	UP 00160	SPARK PLUG	1
4	A 07238	LEAD-Electrical	1
5	A 04168 B	ROTOR KIT	1
6	86479 A	WASHER-Flat	1
7	98795 A	CONNECTOR-Drive (.250)	1
8	UP 00743	SHORT BLOCK (See Engine Interm)	1
E	UP 03092	COMPLETE STARTER ASSEMBLY	1
9	82546	SCREW-Taplite (8-16 X 1/2")	3
10	UP 03013	BAFFLE-Air	1
11	98770 A	PULLEY-Starter	1
12	97999 02	ROPE-Starter (42")	1
13	A 98773 A	SPRING & CONTAINER	1
14	PB 00179	GRIP-Starter	1
15	UP 03111	GLAMP	1
16	UP 00023	HOUSING-Rear Kit	1
17	82637	SCREW-Taplite (10-14 X 7/8")	2
18	82538	SCREW-Taplite (10-24 X 3/4")	4
19	UP 03091	CONTROL HANDLE ASSY.	1
20	08333 1	TRIGGER-Throttle	1
21	07516	HOOK-Harness	1
22	82537	SCREW-Taplite (10-14 X 7/8")	4
23	08332 02	CABLE-Throttle	1

Item No.	Torque Specs		Required Locite
	In.Lbs	Nm	
2	30-40	3.4-4.5	Blue 242
3	120-180	13.5-20.3	
7	100-150	11.3-16.8	
9	10-20	1.1-2.3	
15	40-50	4.5-5.6	
17	30-50	3.4-5.6	
18	30-40	3.4-4.5	
22	30-50	3.4-5.6	

Job	Warranty Flat Rate	
	Description	Time/Hr.
FA11	Ignition Mod.	.3
FA12	Ground Lead	.3
FG10	Starter	.4
FD12	Engine Housing, Rear	.4
FF13	Trigger, Throttle cable	.8

All Models

ENGINE INTERNAL



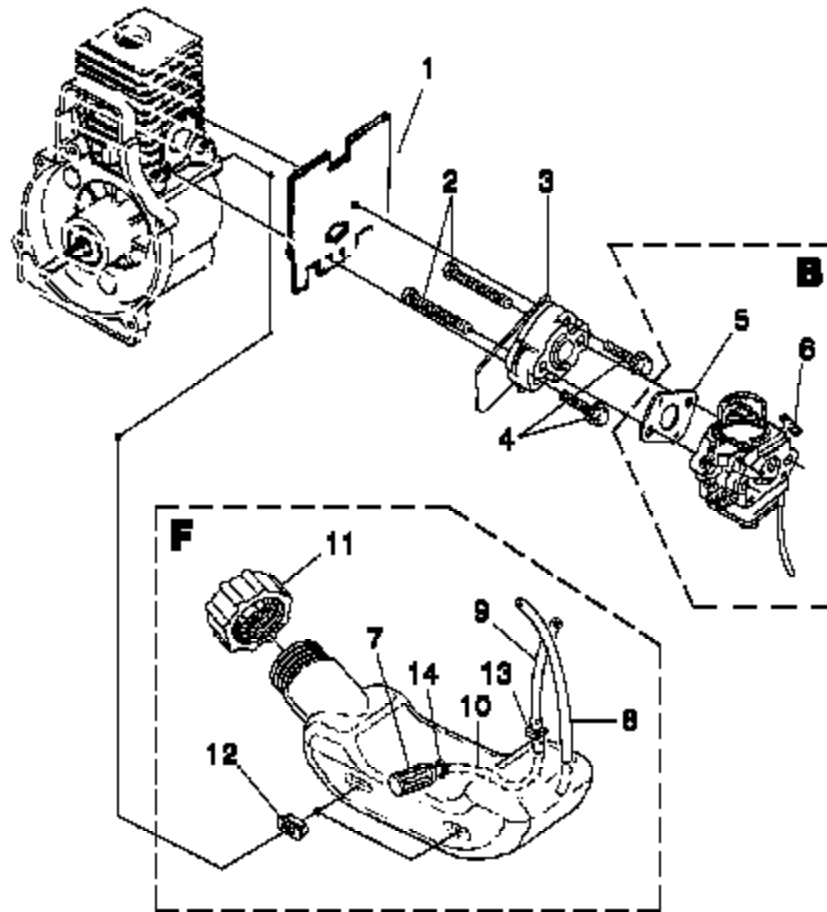
No.	Part No.	Description	Qty.
1	UP 00743	SHORT BLOCK	1
2	UP 00766	PISTON & ROD ASSY.	1
3	PS 01359	RING-Piston	1
4	UP 07145	CYLINDER ASSY.	1
5	04388 B	GASKET-Cylinder	1
6	08900 A	GASKET-Heat Dam	1
7	98766 A	GASKET-Carburetor	1
8	08343	GASKET-Muffler	1
9	69250	KEY-Woodruff	1
10	88084 1	SCREW-Sems (12-24 X 3/4")	3
11	UP 00019	CRANKCASE COVER ASSEMBLY	1
12	08861	GASKET-Crankcase Cover (Also included w/short block)	1
13	88085 1	SCREW-Sems (10-24 X 1/2")	4
14	UP 00027	MUFFLER GUARD	3
15	82541	SCREW-Thread Forming (10-14 X 1/2")	2

Item No.	Torque Specs		Required Loctite
	In/Lbs	Nm	
10	55-65	6.2-7.3	Red 262
13	35-45	4.0-5.1	Red 262
15	5-20	.6-2.3	

Warranty Flat Rate			Time/Hr.
Job	Description	Rate	
FB10	Partial Rebuild		1.0
FB20	Short Block		1.0
FD25	Crankcase Cover		.3

All Models

CARBURETOR - FUEL TANK



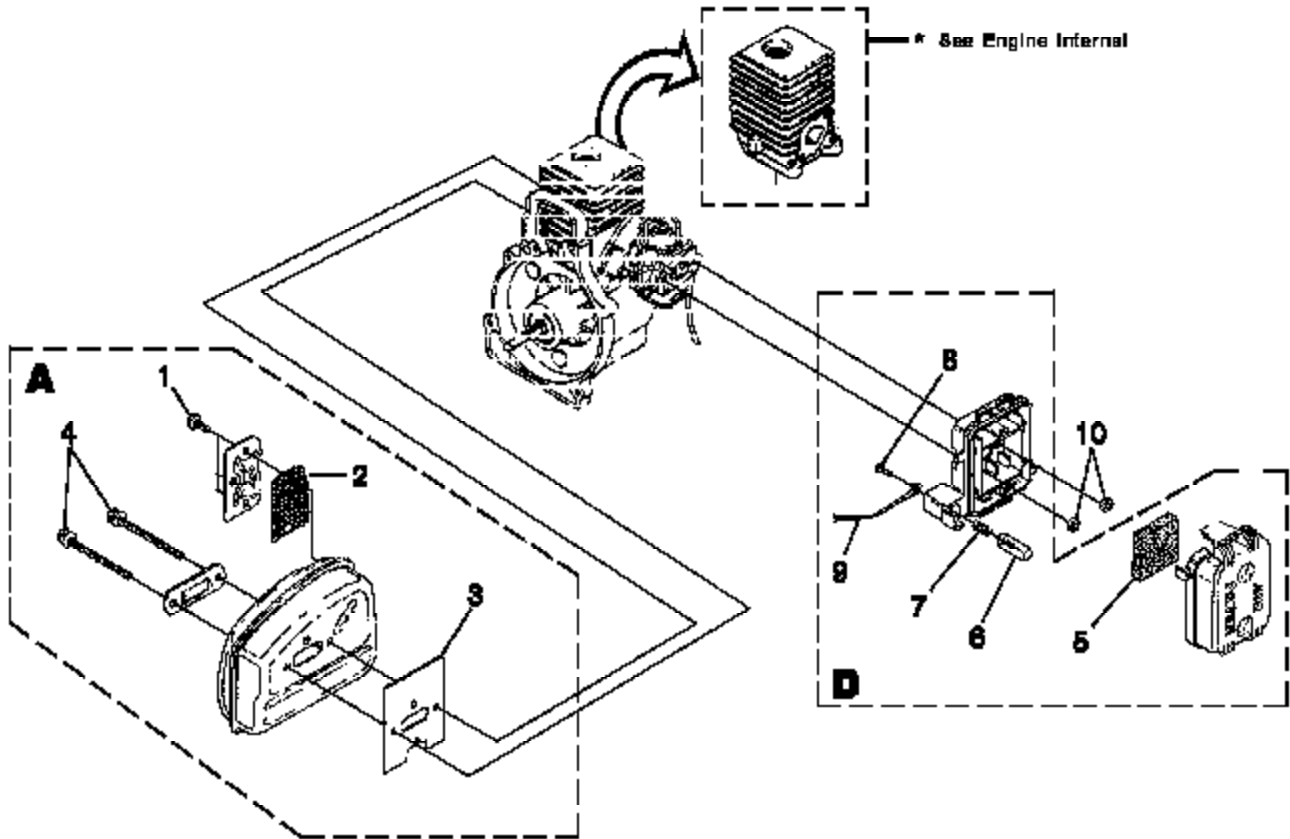
No.	Part No.	Description	Qty.
1	06900 A	GASKET-Heat Dam	1
2	04474	SCREW-Machine (10-24 X 2 1/4")	2
3	86766 A	HEAT DAM	1
4	06922 1	SCREW-Same (10-24 X 1")	2
■	UP00808	CARBURETOR KIT	1
5	86766 A	GASKET-Carburetor	1
6	P6 00236	Lever-Choke (Zama)	1
F	UP00020	FUEL TANK ASSY.	1
7	49422	FILTER-Fuel	1
8	01439 18	TUBING-Rubber	1
9	01439 10	TUBING-Rubber	1
10	84772 13	TUBING-Rubber	1
11	UP00108	FUEL CAP	1
12	86792	BUMPER-Rubber	3
13	02067	FITTING-Inline	1
14	86288	CLAMP	1

Item No.	Torque Specs		Required Loosie
	In/Lbs	Nm	
4	35-45	4.0-5.1	Red 282

Warranty Flat Rate		
Job	Description	Time/Hr.
FF17	Manifold	.3
FF10	Carburetor Rep.	.3
FF16	Fuel Tank	.3
FF12	Fuel/Return Line	.3

All Models

MUFFLER - AIR CLEANER



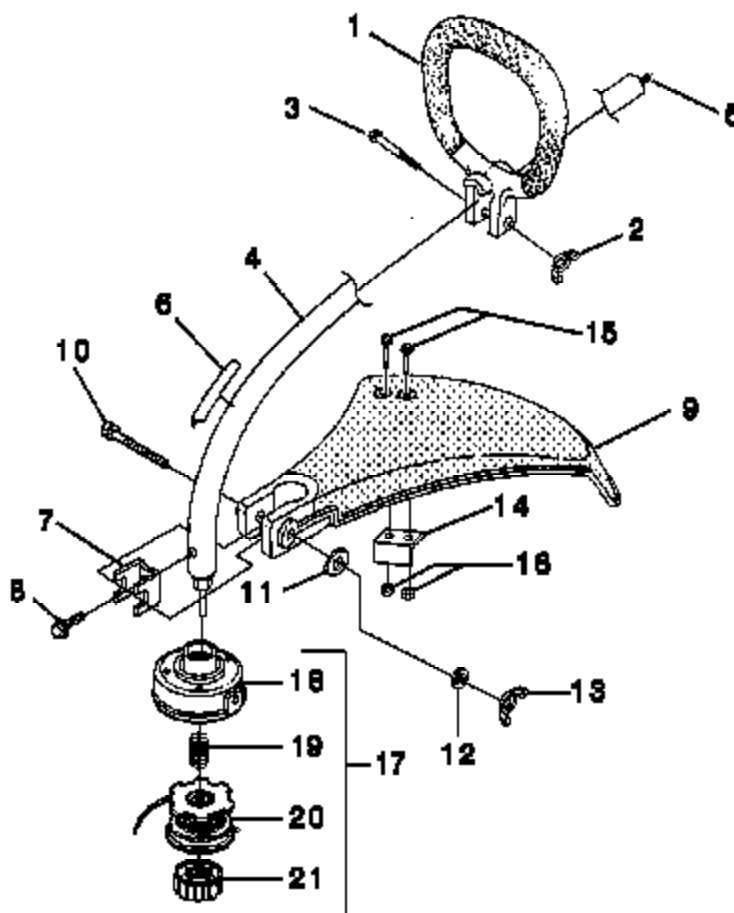
No.	Part No.	Description	Qty.
A	A 07142 A	MUFFLER ASSY.	1
1	82600	SCREW, TapLite- (8-32 X 3/8")	3
2	08502	SCREEN-Spark	1
3	09343	GASKET-Muffer	1
4	88083	SCREW, Truss Hd. - (10-24 X 2.188)	2
D	A 04707 A	AIR FILTER KIT	1
5	D 98760 B	FILTER-Air	1
6	99769	BUTTON-Switch	1
7	95020 A	SPRING-Compression	1
8	82513	SCREW-Thread Form (8-19 x 1/2")	1
9	A 07238	LEAD-Electrical	1
10	81208	NUT-Hex (10-24)	2

Item No.	Torque Specs		Required Loc'ds
	In/Lbs	Nm	
1	25-35	2.8-4.0	
4	50-60	5.6-6.8	
6	5-10	.8-1.1	
10	30-40	3.4-4.5	

Warranty Flat Rate		
Job	Description	Time/Hr.
FB18	Muffer-Replace	.3
FF42	Air Filter Assy.	.2

SHAFT - SPOOL & STRING - GRASS DEFLECTOR

TrimLite
d725cd



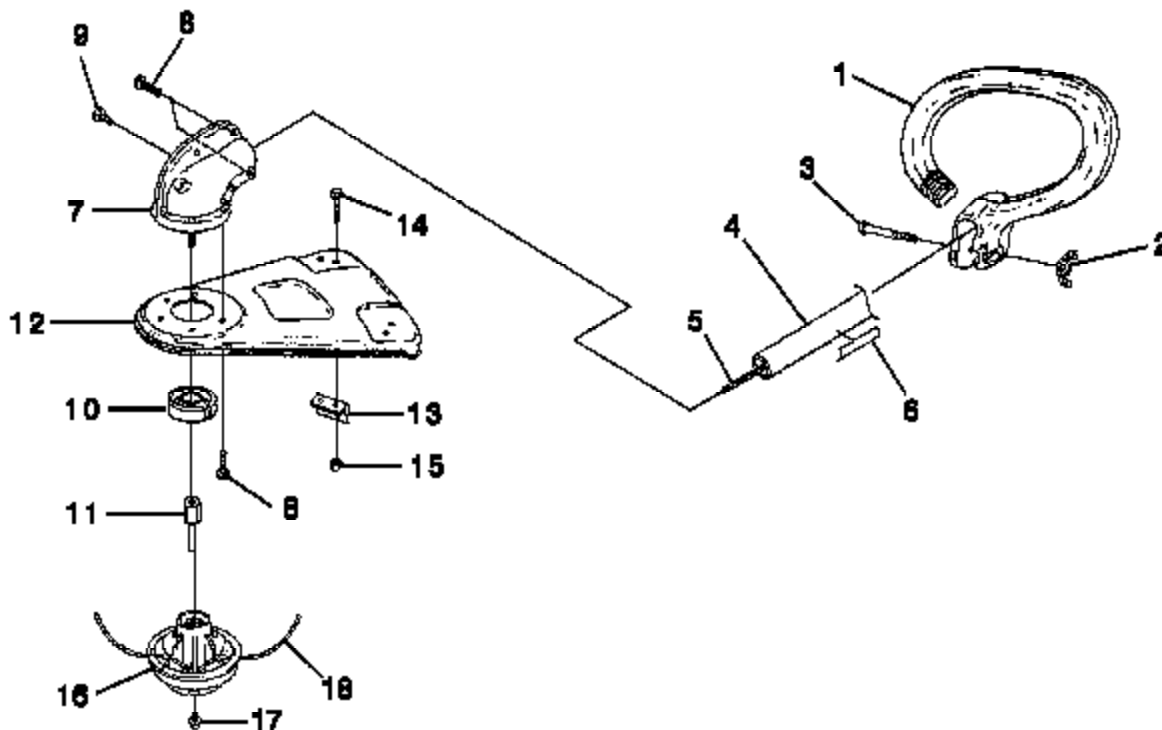
No.	Part No.	Description	Qty.
1	UP 03010	HANDLE ASSY-Front	1
2	93992	NUT-Wing, Washer Faced (1/4-20)	1
3	80296	SCREW-Cap Hex Hd.	1
4	UP 00710	DRIVESHAFT HOUSING ASSY.	1
5	UP 03031	SHAFT-Flexible	1
6	PS 00036	DECAL-Warning	1
7	07928	CLAMP	1
8	88077	SCREW-Sems Hex Hd. (#10-24 X 3/8")	1
9	A 04706	DEFLECTOR & BLADE KIT (55 Deg.)	1
10	80296	SCREW-Cap Hex Hd. (10-24 X 2")	1
11	84008	WASHER-Flat (1/4")	1
12	83009	WASHER-Lock (1/4")	1
13	93992	NUT-Wing, Washer Faced (1/4-20)	1
14	A 03832	BLADE-Cut-Off	1
15	82531	SCREW-Mech. Hex Hd. (10-24 X 7/8")	2
16	81208	NUT-Hex (10-24)	2
17	DA 03001 A	STRINGHEAD-Complete	1
18	A 98281 A	HOUSING & EYELET (Dual Line)	1
19	06713	SPRING-Compression	1
20	UP 00145	SPOOL & STRING (.080" Line)	1
21	DA 98866 A	RETAINER-Spool (R.H. Thread, Black)	1

Item No.	Torque Specs		Required Lubric
	In/Lbs	Nm	
2	5-25	.8-2.8	
6	15-25	1.7-2.8	
13	5-25	.8-2.8	
16	30-40	3.4-4.5	

Warranty Flat Rate		
Job	Description	Time/Hr.
FM10	Stringhead Assy.	.2
FN12	Driveshaft	.3
FN13	Driveshaft Hdg.	.3
FN16	Deflector-Grass	.2
FD20	Front Handle	.2

SHAFT - SPOOL & STRING - GRASS DEFLECTOR

Easy Reach



No.	Part No.	Description	Qty.
1	A 07138	HANDLE-Anti-Vibe	1
2	93992	NUT-Wing, Washer Faced (1/4-20)	1
3	80295	SCREW-Cap Hex Hd. (1/4-20 x 2")	1
4	UP 00002	DRIVESHAFT HOUSING ASSY.	1
5	98818	SHAFT-Flexible	1
6	D9353	DECAL	1
7	A 04836 D	GEARHEAD	1
8	82459	Screw, Taprite Hex Hd. (10-24 x 1/2")	5
9	82298	Screw-Hex Hd. (10-24 x 5/8")	2
10	04188 A	WASHER-Flanged	1
11	D4355	ADAPTER-Shaft	1
12	A 04833 A	GRASS DEFLECTOR KIT	1
13	07076	BLADE-Cut-off	1
14	80869	SCREW-Mach. Hex Hd. (10-24 X 3/8")	2
15	81208	NUT-Lock Hex (10-24)	2
18	DAD9364	STRINGHEAD-Pro-Cut w/line	1
17	PS00082	SCREW-Stringhead Retainer	1
18	D 09365	LINE-Replacement	1

Item No.	Torque Specs		Required Loctite
	In/Lbs	Nm	
2	5-25	6-2.8	
8	15-20	1.7-2.8	
9	40-50	4.5-6.8	
11	100-120	11.3-13.6	
15	30-40	3.4-4.5	
17	40-80	4.5-6.8	

Warranty Flat Rate		
Job	Description	Time/Hr.
FM10	Stringhead Assy.	.2
FN12	Driveshaft	.3
FN13	Driveshaft Hsg.	.3
FN15	Gearhead	.3
FD20	Front Handle	.2

*Also Included with Driveshaft Housing

2/10/99