

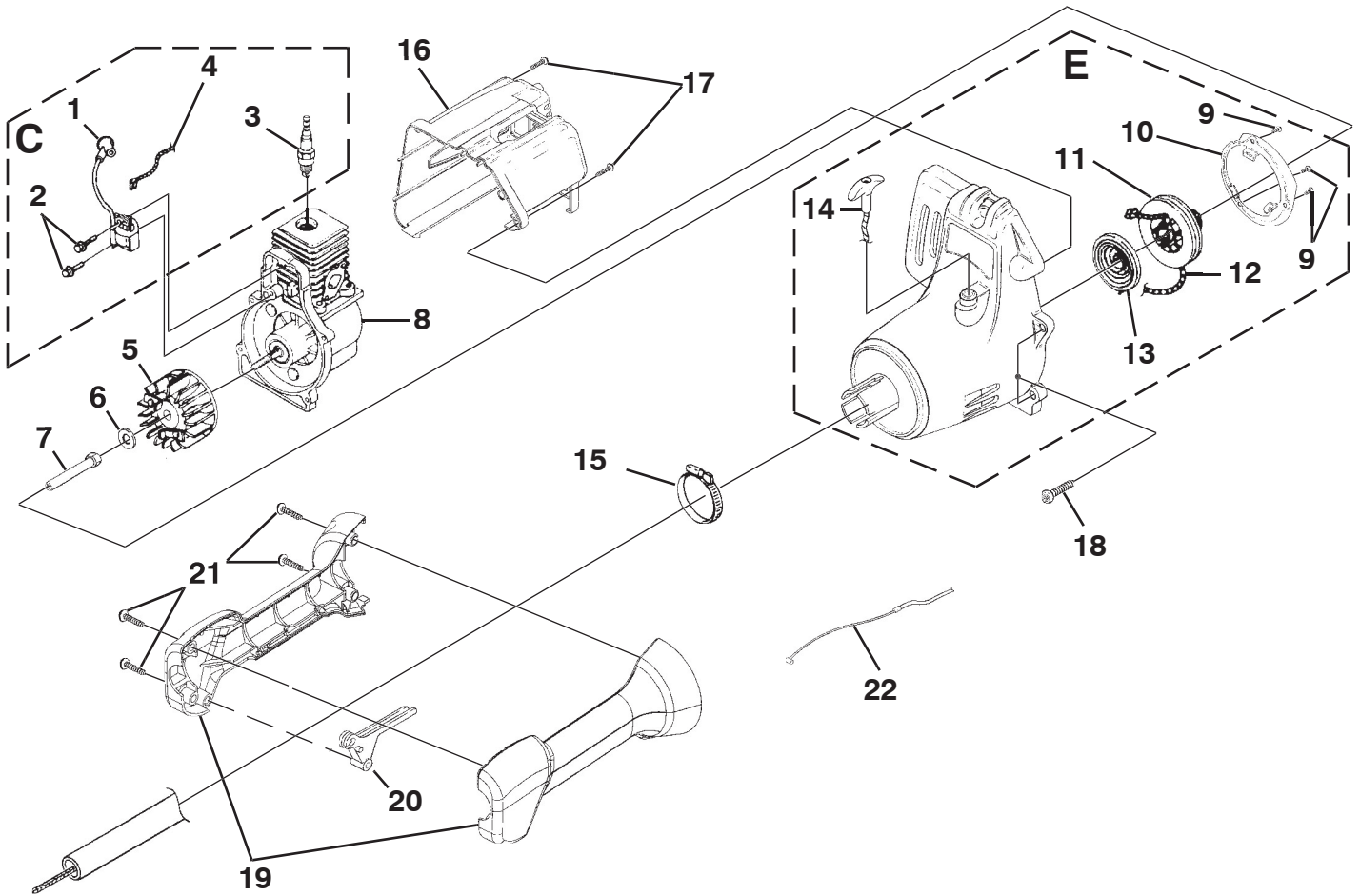
# Homelite®

## PARTS LIST

TrimLite™

UT20706

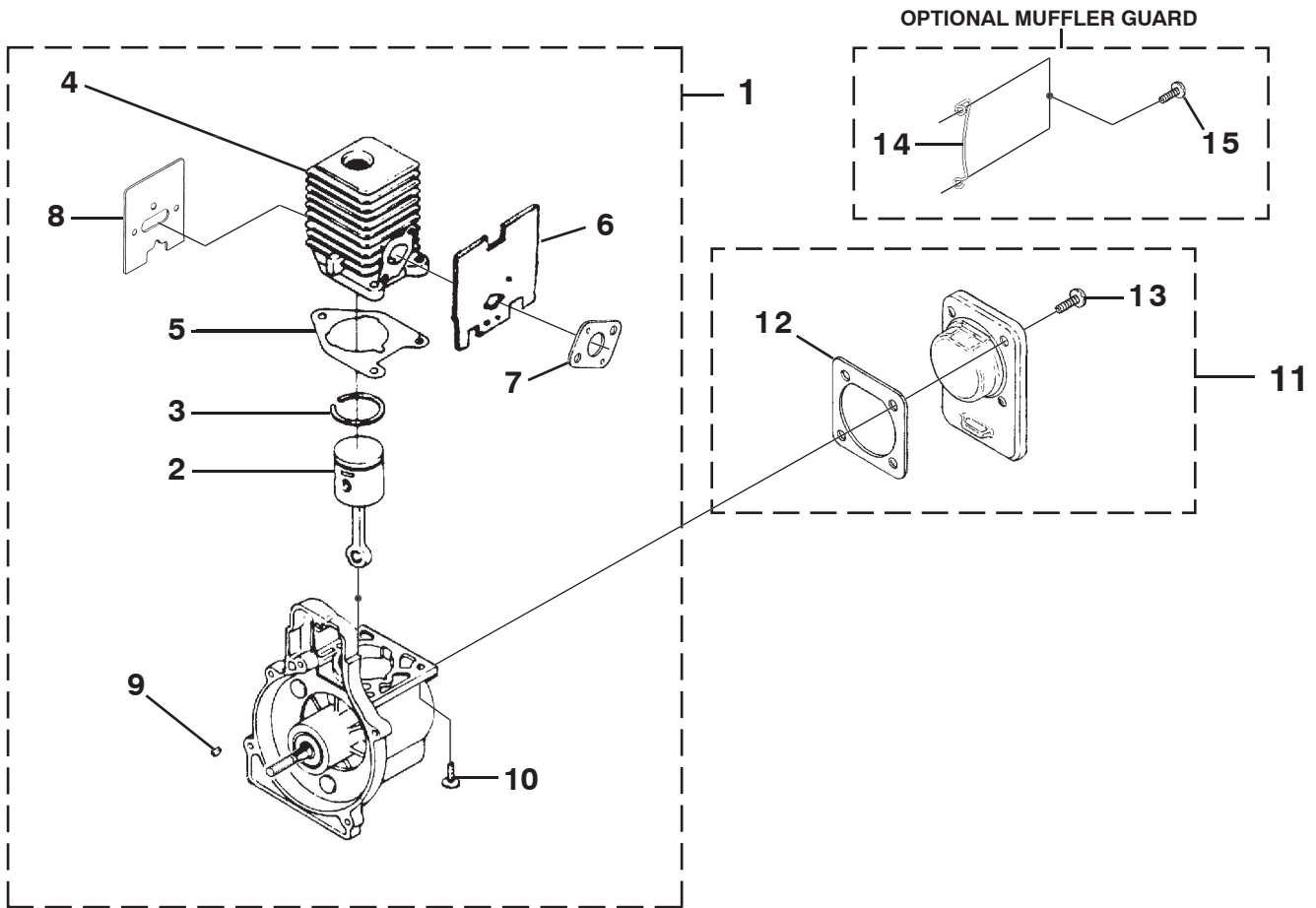
# IGNITION - ROTOR - STARTER



| No.      | Part No.   | Description                       | Qty. |
|----------|------------|-----------------------------------|------|
| <b>C</b> | •984873001 | IGNITION KIT                      | 1    |
| 1        | 94711C     | IGNITION MODULE                   | 1    |
| 2        | 82540      | SCREW-Taptite (8-32 X 1")         | 2    |
| 3        | PS02227    | SPARK PLUG                        | 1    |
| 4        | A07238     | LEAD-Electrical                   | 1    |
| 5        | •UP03856A  | ROTOR KIT                         | 1    |
| 6        | 95479A     | WASHER-Flat                       | 1    |
| 7        | 98795A     | CONNECTOR-Drive (.250)            | 1    |
| 8        | UP00743A   | SHORT BLOCK (See Engine Internal) | 1    |
| <b>E</b> | •UP03092A  | COMPLETE STARTER ASSEMBLY         | 1    |
| 9        | 82543      | SCREW-Taptite (8-16 X 1/2")       | 3    |
| 10       | PS00326    | BAFFLE-Air                        | 1    |
| 11       | 98770A     | PULLEY-Starter                    | 1    |
| 12       | 9789902    | ROPE-Starter (42")                | 1    |
| 13       | A98773A    | SPRING & CONTAINER                | 1    |
| 14       | PS00179    | GRIP-Starter                      | 1    |
| 15       | PS01611    | CLAMP                             | 1    |
| 16       | 09210      | HOUSING-Rear Engine               | 1    |
| 17       | 82537      | SCREW-Taptite (10-14 X 7/8")      | 2    |
| 18       | 82538      | SCREW-Taptite (10-24 X 3/4")      | 4    |
| 19       | •UP03091A  | CONTROL HANDLE ASSY.              | 1    |
| 20       | 088331     | TRIGGER-Throttle                  | 1    |
| 21       | 82537      | SCREW-Taptite (10-14 X 7/8")      | 4    |
| 22       | 0883202    | CABLE-Throttle                    | 1    |

| Item No. | Torque Specs |           | Required Loctite |
|----------|--------------|-----------|------------------|
|          | In./Lbs      | Nm        |                  |
| 2        | 30-40        | 3.4-4.5   | Blue 242         |
| 3        | 120-180      | 13.6-20.3 |                  |
| 7        | 100-150      | 11.3-16.9 |                  |
| 9        | 10-20        | 1.1-2.3   |                  |
| 15       | 40-50        | 4.5-5.6   |                  |
| 17       | 30-50        | 3.4-5.6   |                  |
| 18       | 30-40        | 3.4-4.5   |                  |
| 21       | 30-50        | 3.4-5.6   |                  |

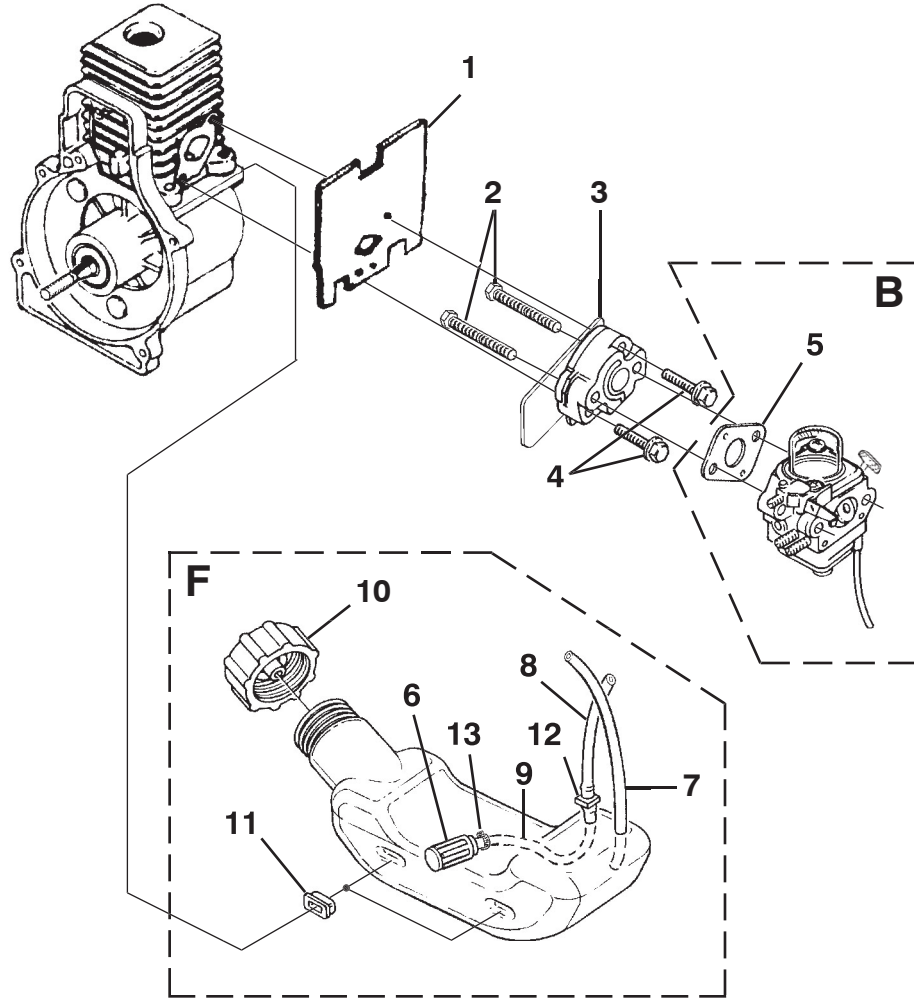
# ENGINE INTERNAL



| No. | Part No.   | Description  | Qty. |
|-----|------------|--|------|
| 1   | •UP00743A  | SHORT BLOCK  | 1    |
| 2   | •984544001 | PISTON & ROD ASSY.                                   | 1    |
| 3   | PS01359    | RING-Piston  | 1    |
| 4   | •UP07145A  | CYLINDER ASSY.                                       | 1    |
| 5   | 04388B     | GASKET-Cylinder                                      | 1    |
| 6   | 06900A     | GASKET-Heat Dam                                      | 1    |
| 7   | 98766A     | GASKET-Carburetor                                    | 1    |
| 8   | _09343     | GASKET-Muffler                                       | 1    |
| 9   | 69250      | KEY-Woodruff   | 1    |
| 10  | PS02807    | SCREW (12-24 X .660")                                | 3    |
| 11  | •UP00019A  | CRANKCASE COVER ASSEMBLY                             | 1    |
| 12  | 06443A     | GASKET-Crankcase Cover (Also included w/short block) | 1    |
| 13  | _PS01565   | SCREW-Sems (10-24 X 1/2")                            | 4    |
| 14  | •UP04099   | MUFFLER GUARD  | 1    |
| 15  | _82541     | SCREW-Thread Forming (10-14 X 1/2")                  | 2    |

| Item No. | Torque Specs |         | Required Loctite |
|----------|--------------|---------|------------------|
|          | In/Lbs       | Nm      |                  |
| 10       | 55-65        | 6.2-7.3 | Red 262          |
| 13       | 35-45        | 4.0-5.1 | Red 262          |
| 15       | 5-20         | 0.6-2.3 |                  |

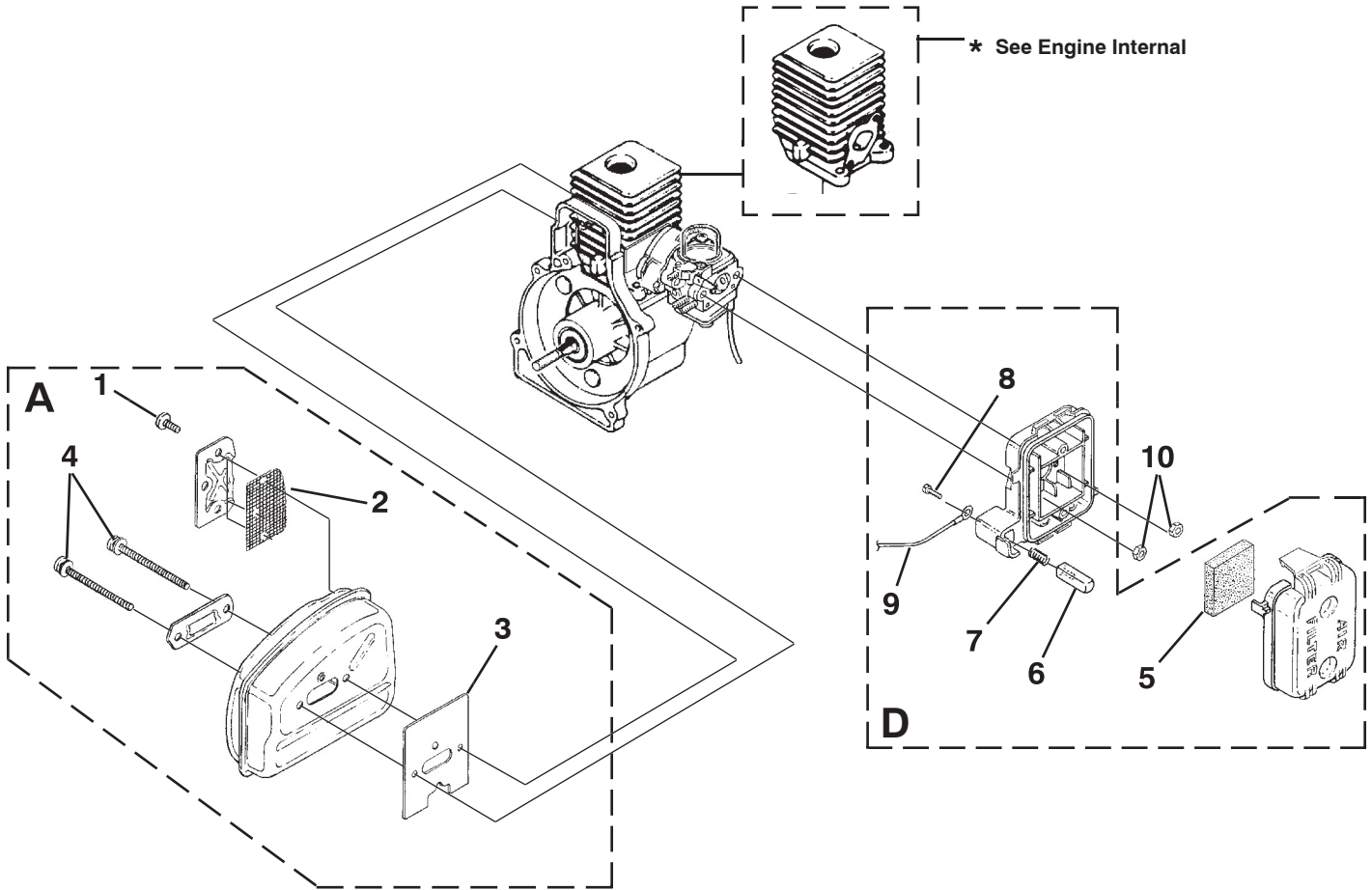
# CARBURETOR - FUEL TANK



| No.      | Part No.  | Description                    | Qty. |
|----------|-----------|--------------------------------|------|
| 1        | 06900A    | GASKET-Heat Dam                | 1    |
| 2        | 04474     | SCREW-Machine (10-24 X 2 1/4") | 2    |
| 3        | 98768A    | HEAT DAM                       | 1    |
| 4        | 093221    | SCREW-Sems (10-24 X 1")        | 2    |
| <b>B</b> | •UP00608  | CARBURETOR KIT                 | 1    |
| 5        | 98766A    | GASKET-Carburetor              | 1    |
| <b>F</b> | •UP00020A | FUEL TANK ASSY.                | 1    |
| 6        | PS03380   | FILTER-Fuel                    | 1    |
| 7        | 0143918   | TUBING-Rubber                  | 1    |
| 8        | 0143910   | TUBING-Rubber                  | 1    |
| 9        | 9477213   | TUBING-Rubber                  | 1    |
| 10       | A09116    | FUEL CAP                       | 1    |
| 11       | 98792     | BUMPER-Rubber                  | 3    |
| 12       | 07332     | FITTING-Inline                 | 1    |
| 13       | 98268     | CLAMP                          | 1    |

| Item No. | Torque Specs |         | Required Loctite |
|----------|--------------|---------|------------------|
|          | In/Lbs       | Nm      |                  |
| 4        | 35-45        | 4.0-5.1 | Red 262          |

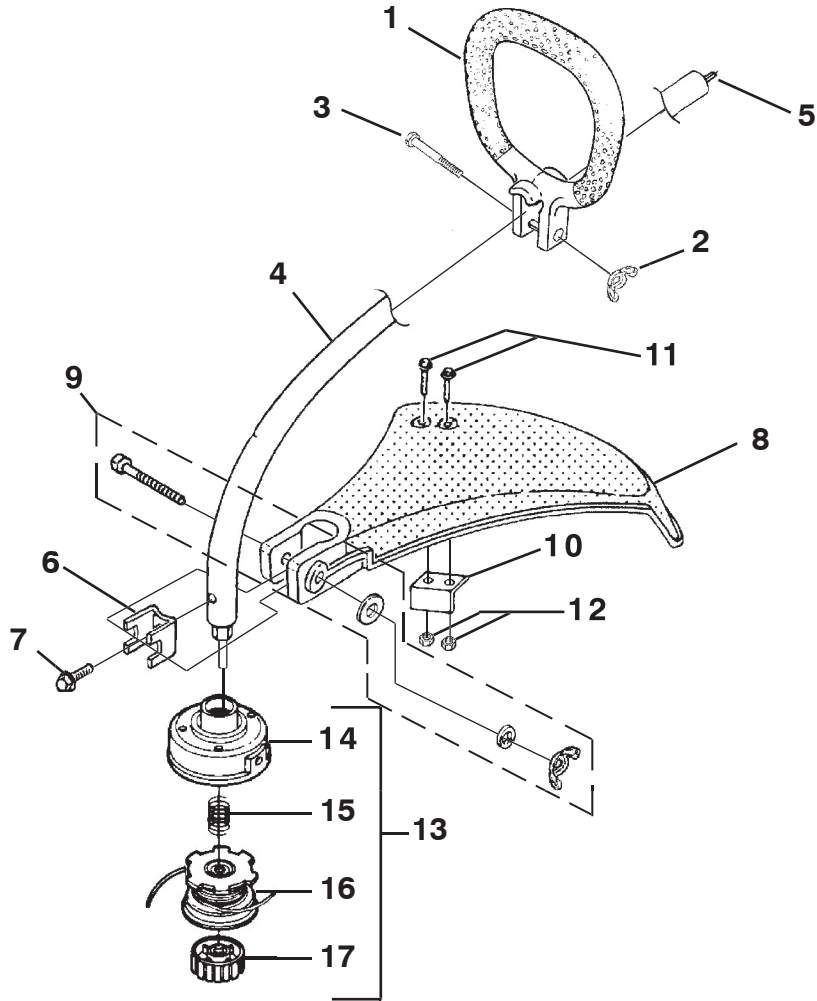
# MUFFLER - AIR CLEANER



| No.      | Part No.   | Description                         | Qty. |
|----------|------------|-------------------------------------|------|
| <b>A</b> | • A07142AA | MUFFLER ASSY.                       | 1    |
| 1        | 82600      | SCREW, Taptite- (8-32 X 3/8")       | 3    |
| 2        | 06502      | SCREEN-Spark                        | 1    |
| 3        | 09343      | GASKET-Muffler                      | 1    |
| 4        | 88083      | SCREW, Truss Hd. - (10-24 X 2.188") | 2    |
| <b>D</b> | • A04707A  | AIR FILTER KIT                      | 1    |
| 5        | 98760      | FILTER-Air                          | 1    |
| 6        | 98769      | BUTTON-Switch                       | 1    |
| 7        | 95020A     | SPRING-Compression                  | 1    |
| 8        | 82513      | SCREW-Thread Form (6-19 x 1/2")     | 1    |
| 9        | A07238     | LEAD-Electrical                     | 1    |
| 10       | 81208      | NUT-Hex (10-24)                     | 2    |

| Item No. | Torque Specs |         | Required Loctite |
|----------|--------------|---------|------------------|
|          | In./Lbs      | Nm      |                  |
| 1        | 25-35        | 2.8-4.0 |                  |
| 4        | 50-60        | 5.6-6.8 |                  |
| 8        | 5-10         | 0.6-1.1 |                  |
| 10       | 30-40        | 3.4-4.5 |                  |

# SHAFT - SPOOL & STRING - GRASS DEFLECTOR



| No. | Part No.  | Description                        | Qty. |
|-----|-----------|------------------------------------|------|
| 1   | •UP03010A | HANDLE ASSY.-Front                 | 1    |
| 2   | 93992     | NUT-Wing, Washer Faced (1/4-20)    | 1    |
| 3   | 80295     | SCREW-Cap Hex Hd.                  | 1    |
| 4   | •UP04555A | DRIVESHAFT HOUSING ASSY.           | 1    |
| 5   | PS01502   | SHAFT-Flexible                     | 1    |
| 6   | 07928     | CLAMP                              | 1    |
| 7   | 983823001 | SCREW-T.F. Hex Hd. (#10-24 X 3/8") | 1    |
| 8   | •UP06710A | DEFLECTOR & BLADE KIT (55 Deg.)    | 1    |
| 9   | PA00249   | FASTENER Parts Kit                 | 1    |
| 10  | •UP04119  | BLADE-Cut-Off                      | 1    |
| 11  | 82531     | SCREW-Mech. Hex Hd. (10-24 X 7/8") | 2    |
| 12  | 81208     | NUT-Hex (10-24)                    | 2    |
| 13  | •UP04408  | STRINGHEAD-Complete                | 1    |
| 14  | A98231A   | HOUSING & EYELET (Dual Line)       | 1    |
| 15  | 06713     | SPRING-Compression                 | 1    |
| 16  | PA0387A   | SPOOL & STRING (.080" Line)        | 1    |
| 17  | A98866A   | RETAINER-Spool (RH Thread, Black)  | 1    |

| Item No. | Torque Specs |         | Required Loctite |
|----------|--------------|---------|------------------|
|          | In/Lbs       | Nm      |                  |
| 2        | 5-25         | 0.6-2.8 |                  |
| 7        | 15-25        | 1.7-2.8 |                  |
| 9        | 5-25         | 0.6-2.8 |                  |
| 12       | 30-40        | 3.4-4.5 |                  |

**HOMELITE CONSUMER PRODUCTS, INC.**

1428 Pearman Dairy Road, Anderson, SC 29625

Post Office Box 1207, Anderson, SC 29622

Phone 1-800-chainsa (1-800-242-4672)

[www.homelite.com](http://www.homelite.com)

983000-382R

10-30-03

Homelite Parts