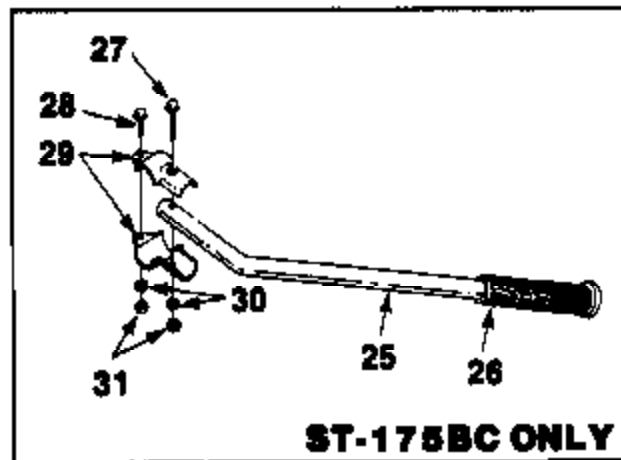
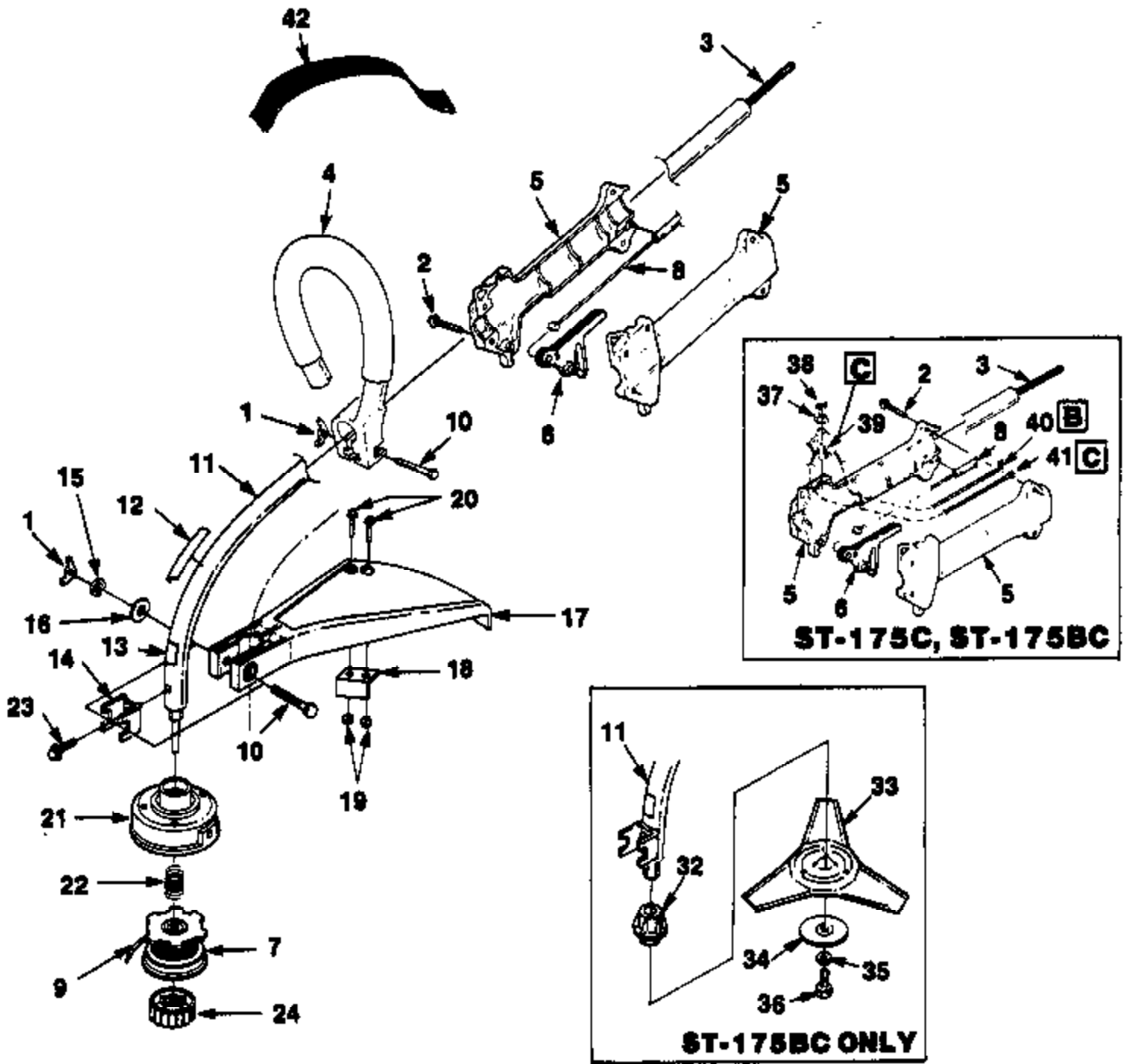


ACCESSORIES
ACCESSOIRES
TOEBEHOREN
ZUBEHÖR
ACCESSORI
ACCESORIOS
ACESSÓRIOS

00063	00063	JA-31316-4
Ⓜ Holding tool	Ⓜ Ignition Test Spark Plug	
Ⓜ Outil de maintien	Ⓜ Testeur d'allumage	
Ⓜ Blokkeerpen	Ⓜ Bougie voor ontstekingscontrole	
Ⓜ Haltewerkzeug	Ⓜ Testzündkerze für Zündprüfung	
Ⓜ Attrezzo di bloccaggio	Ⓜ Candela di collaudo	
Ⓜ Herramienta sujetadora	Ⓜ Bujía para probar el encendido	
Ⓜ Acessório de suporte	Ⓜ Vela de ensaio de ignição	
18453	94772-00	
Ⓜ Grease, Multi-Purpose	Ⓜ Rubber Tubing (10 ft) (3,05 m)	
Ⓜ Graisse universelle	Ⓜ Tubes en caoutchouc (3,05 m)	
Ⓜ Universeel vet	Ⓜ Rubber slang (3,05 m)	
Ⓜ Mehrzweck-Schmiermittel	Ⓜ Gummirohr (3,05 m)	
Ⓜ Grasso, multiuso	Ⓜ Dotto di gomma (3,05 m)	
Ⓜ Grasa universal	Ⓜ Tubo de caucho (3,05 m)	
Ⓜ Lubrificante, para fins múltiplos	Ⓜ Tubo de borracha (3,05 m)	
17789	86052-A	
Ⓜ Carburetor Repair Tool	Ⓜ Starter Rope (280 ft Reel) (76 m)	
Ⓜ Outil de réparation de carburateur	Ⓜ Cordon de lanceur (bobine de 76 m)	
Ⓜ Reparatiegereedschap voor carburateur	Ⓜ Startkoord (spoel met 76 m)	
Ⓜ Vergaser-Reparaturwerkzeug	Ⓜ Starterseli (76 m Spule)	
Ⓜ Attrezzo di riparazione del carburatore	Ⓜ Corda d'avviamento (bobina de 76 m)	
Ⓜ Herramienta de reparación del carburador	Ⓜ Cuerda de arranque (carrete de 76 m)	
Ⓜ Ferramenta de reparação do carburador	Ⓜ Cabo do arrancador (rolo de 76 m)	
23488-C	24982-01	
Ⓜ Thread Locking Compound	Ⓜ Torx Drive Bit T25	
Ⓜ Produit de blocage de filetage	Ⓜ Foret torx	
Ⓜ Borgmiddel voor schroefdraden	Ⓜ Torx-drijfbit	
Ⓜ Gewinde-Sicherungsmasse	Ⓜ Torx-Antriebsbit	
Ⓜ Composto di bloccaggio della filettatura	Ⓜ Punta Torx Drive	
Ⓜ Pasta selladora de roscas	Ⓜ Broca de empuxe Torx	
Ⓜ Composto de retenção de roscas	Ⓜ Broca accionadora Torx	
24308	24982-03	
Ⓜ Shim (.125") (3,17 mm)	Ⓜ Torx Bit (for clutch drum) T25	
Ⓜ Cale (3,17 mm)	Ⓜ Foret torx (pour tambour d'embrayage)	
Ⓜ Afstandsbus (3,17 mm)	Ⓜ Torx drijfbit (voor koppelingstrommel)	
Ⓜ Distanzscheibe (3,17 mm)	Ⓜ Torx-Antriebsbit (für Kupplungstrommel)	
Ⓜ Spessore (3,17 mm)	Ⓜ Punta Torx Drive (per il tamburo della frizione)	
Ⓜ Suplemento (3,17 mm)	Ⓜ Broca de empuxe Torx (tambor del embrague)	
Ⓜ Calço (3,17 mm)	Ⓜ Broca Torx (para o tambor da embreagem)	
A-04191		
Ⓜ Grease Anti Wrap Kit		
Ⓜ Nécessaire anti-enroulement d'herbe		
Ⓜ Apparaatje om te voorkomen dat gras zich rond de aandrijf/as wikkelt		
Ⓜ Graerückhalter		
Ⓜ Kit antilavvoigmento d'erba		
Ⓜ Dispositivo contra la acumulación de pasto		
Ⓜ Dispositivo contra a acumulação de relva		

Ref #	Part Number	Qty	Description
00063	00063	1	Holding tool
18453	18453	1	Grease, Multi-Purpose
17789	17789	1	Carburetor Repair Tool
23488C	23488C	1	Thread Locking Compound
24306	24306	1	Shim (.125") (3.17 mm)
A-04191	A04191	1	Grass Anti Wrap Kit ST-145, ST-155, ST-175, ST-175C, ST-175BC, HGT, GST
JA313164	JA313164	1	Ignition Test Spark Plug
9477299	9477299	1	Rubber Tubing (10 ft.) (3.05 m)
98052-A	98052A	1	Starter Rope (250 ft. Reel) (76 m)
2498201	2498201	1	Torx Drive Bit T25
24982-03	2498203	1	Torx Bit (for clutch drum) T25



ST-175BC ONLY

Ref #	Part Number	Qty	Description
1	93992	2	NUT- Wing
2	82368	5	SCREW- Plastite (#8 x 3/4")
3	98816	1	SHAFT- Flexible
4	A98525	1	HANDLE- Front
5	A00879	1	HANDLE GRIP ASSEMBLY
6	98772A	1	TRIGGER
7	DA98911B	1	SPOOL & STRING (ST-155) (Dual Line)
	DA98912B	1	SPOOL & STRING (Dual Line)
8	A03006	1	CABLE-Throttle
9	DA97952B	1	LINE- Replacement (.080 Dia.) (100 Ft.)
10	80295	2	SCREW (10-24 x 2")
11	A00104A	1	HOUSING- Drive Shaft
12	989231	1	DECAL- Starting Instructions
13	02985	1	DECAL- Warning
14	98853	1	CLAMP
	A02720	1	HOUSING- Drive shaft (ST-175BC Only)
	00588	1	DECAL (ST-175BC Only)
	02985	1	DECAL- Warning (ST-175BC Only)
	98853	1	CLAMP (ST-175BC Only)
	989241	1	DECAL- Instr. (ST-175BC Only) (Not Shown)
15	83009	1	LOCKWASHER (1/4")
16	84006	1	WASHER- Flat (1/4")
17	98821	1	DEFLECTOR- Grass
	02610	1	DEFLECTOR- Grass (ST-175BC & GST)
18	A03834	1	BLADE- Cut-off (Models 145 & 155)
	A03832	1	BLADE- Cut-off (Models 175, 175C, ST-175BC & HGT)
	A03833	1	BLADE- Cut-off (Model GST)
19	81261	2	NUT (10-24)
20	82531	2	SCREW (10-24 x 7/8")
21	A98231A	1	HOUSING & EYELET- Dual line
22	98848	1	SPRING- Compression
23	88077	1	SCREW (10-24 x 3/8")
24	DA98866A	1	RETAINER- Spool (R.H. Threaded)
	A02781	1	RETAINER- Spool (ST-175BC)
25	A97709A	1	HANDLE BAR (ST-175BC)
26	94474B	1	GRIP (ST-175BC)
27	88071	1	SCREW (ST-175BC)
28	88078	1	SCREW (ST-175BC)
29	00422	1	CLAMP (ST-175BC)
30	83061	1	WASHER (ST-175BC)
31	81267	1	NUT (ST-175BC)
32	02617	1	ADAPTOR (ST-175BC)
33	DA02616A	1	BLADE- Weed (ST-175BC)
34	00580	1	WASHER- Cupped (ST-175BC)
35	83030	1	WASHER (ST-175BC)
36	80085	1	SCREW (ST-175BC)
37	95231	1	PLATE- Indicating (ST-175C & ST-175BC)
38	72084A1	1	NUT (ST-175C & ST-175BC)
39	93653	1	SWITCH- Toggle (ST-175C & ST-175BC)
40	A98918	1	LEAD- Electrical (ST-175C & ST-175BC)
41	A98919	1	LEAD- Ground (ST-175C & ST-175BC)
42	DA92703B	1	HARNESS w/connector (GST & ST-175BC)

EN CARBURETOR
FR CARBURATEUR
NL CARBURATEUR
D VERGASER
I CARBURATORE
E CARBURADOR
P CARBURADOR

- EN ZAMA A-03003**
- FR Repair Kit A-03078**
- FR Jeu de réparation**
- NL Reparatieset**
- D Reparatursatz**
- I Kit per riparazioni**
- E Juego de reparación**
- P Jogo de reparação**

- EN Gasket/Diaphragm Kit A-03080**
- FR Jeu joint/diaphragme**
- NL Pakking/membraan set**
- D Dichtung/Membrane-Satz**
- I Kit diaframma/guarnizione**
- E Conjunto junta/diafragma**
- P Jogo de juntas vedantes/diafragmas**

- EN Primer Bulb A-01185-A**
- FR Bouton d'amorçage**
- NL Voorinspuitspomp**
- D Vorpumpe**
- I Cicchetto**
- E Bulbo cebador**
- P Bolha da unidade de escorvagem**

- EN Primer Base* (Aluminum) A-01184**
- Primer Base* (Plastic) A-03062**
- FR Base d'amorçage* (aluminium)**
- Base d'amorçage* (plastique)**
- NL Voorinspuit-sokkel* (aluminium)**
- Voorinspuit-sokkel* (plastic)**
- D Vorpumpen-Sockel* (Aluminium)**
- Vorpumpen-Sockel* (Plastik)**
- I Base del cicchetto* (alluminio)**
- Base del cicchetto* (plastico)**
- E Base de cebador* (aluminio)**
- Base de cebador* (plástico)**
- P Base da unidade de escorvagem* (Alumínio)**
- Base da unidade de escorvagem* (Plástico)**

- EN *Primer Base kits are not interchangeable.**
- FR *Les jeux de base d'amorçage ne sont pas interchangeables.**
- NL *Sokkel-sets voor voorinspuiten zijn niet verwisselbaar.**
- D *Sockelätze für die Vorpumpe sind nicht austauschbar.**
- I *I kit della base del cicchetto non sono intercambiabili.**
- E *Los juegos de base de cebador no son intercambiables.**
- P *Os jogos de base da unidade de escorvagem não são intercambiáveis.**

- EN Swivel Kit A-00289**
- FR Jeu de pivots**
- NL Zwenkset**
- D Drehzapfen-Satz**
- I Serie di ingranaggi giravoli**
- E Juego de enganche giratorio**
- P Jogo de rótula**

- EN WALBRO A-03002**
- FR Repair Kit A-03065**
- FR Jeu de réparation**
- NL Reparatieset**
- D Reparatursatz**
- I Kit di riparazione**
- E Juego de reparación**
- P Jogo de reparação**

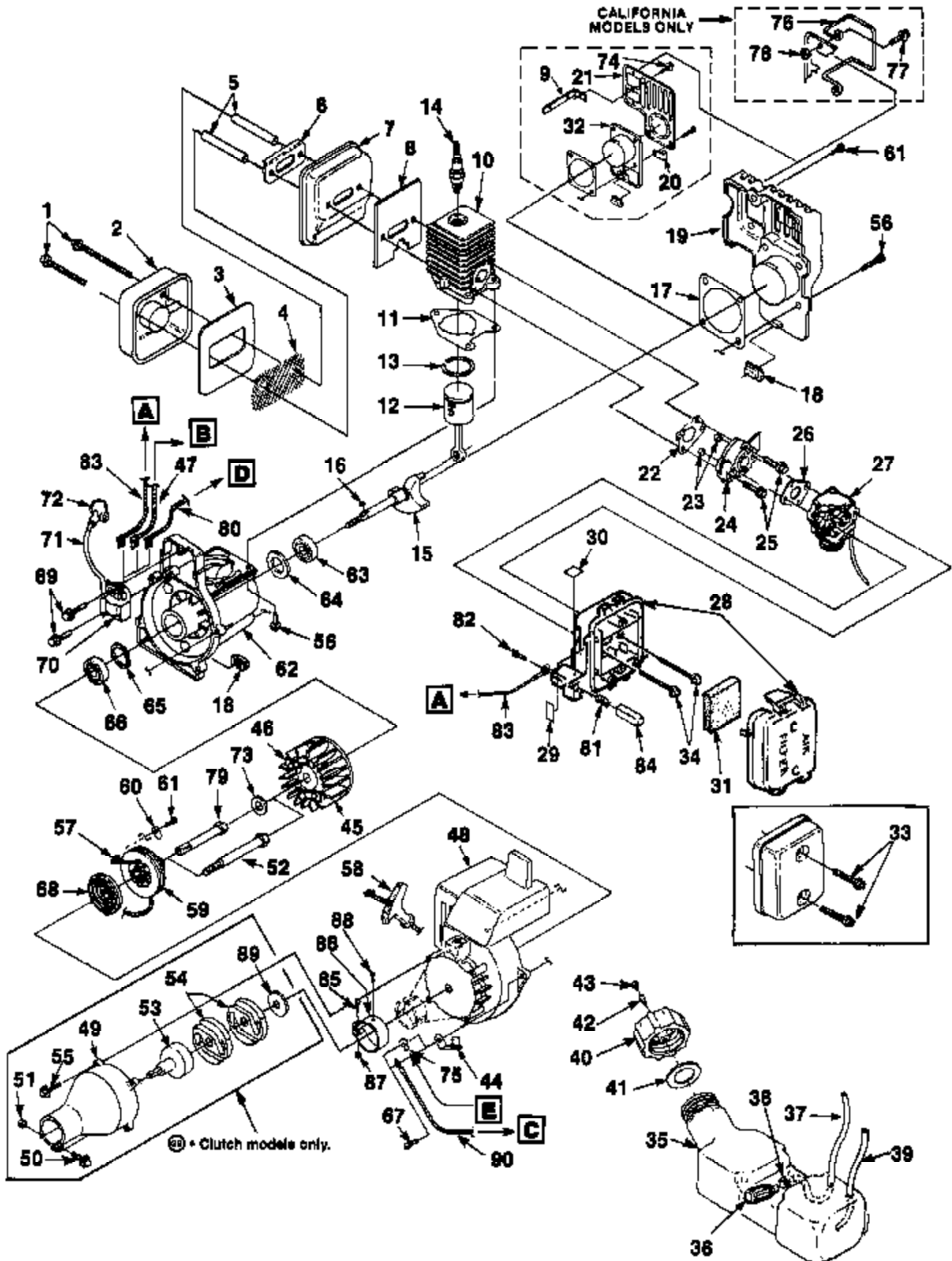
- EN Gasket/Diaphragm Kit A-00285-A**
- FR Jeu joint/diaphragme**
- NL Pakking/membraan set**
- D Dichtung/Membrane-Satz**
- I Kit diaframma/guarnizione**
- E Conjunto junta/diafragma**
- P Jogo de juntas vedantes/diafragmas**

- EN Swivel Kit A-00289**
- FR Jeu de pivots**
- NL Zwenkset**
- D Drehzapfen-Satz**
- I Serie di ingranaggi giravoli**
- E Juego de enganche giratorio**
- P Jogo de rótula**

- EN Primer Bulb 01201**
- FR Bouton d'amorçage**
- NL Voorinspuitspomp**
- D Vorpumpe**
- I Cicchetto**
- E Bulbo cebador**
- P Bolha da unidade de escorvagem**

- EN Primer Base* A-01200-A**
- FR Base d'amorçage***
- NL Voorinspuit-sokkel***
- D Vorpumpen-Sockel***
- I Base del cicchetto***
- E Base de cebador***
- P Base da unidade de escorvagem***

Ref #	Part Number	Qty	Description
A-03003	A03003	1	ZAMA
A-03979	A03979	1	Repair Kit
A-03980	A03980	1	Gasket/Diaphragm Kit
A-01195-A	A01195A	1	Primer Bulb
A-01194	A01194	1	Primer Base (Aluminum) Primer Base kits are not interchangeable.
A-03062	A03062	1	Primer Base (Plastic) Primer Base kits are not interchangeable.
A-00289	A00289	1	Swivel Kit
A-03002	A03002	1	WALBRO
A-02665	A02665	1	Repair Kit
A00285A	A00285A	1	Gasket/Diaphragm Kit
A-00289	A00289	1	Swivel Kit
01201	01201	1	Primer Bulb
A-01200-A	A01200A	1	Primer Base



Ref #	Part Number	Qty	Description
1	88060	2	SCREW- (10-24 x 2 1/2")
2	A98780	1	COVER- Muffler
3	98782	1	BAFFLE- Muffler
4	98784A	1	SCREEN- Spark
5	98860A	2	SPACER- Muffler
6	98783	1	PLATE- Reinforcing
7	A01323	1	BODY- Muffler
8	98786B	1	GASKET- Muffler
9	00179	1	BRACKET-
10	A00108	1	CYLINDER
11	03703A	1	CYLINDER- Gasket
12	A01036A	1	PISTON & ROD ASSEMBLY
13	96935	1	RING- Piston
14	96169S	1	SPARK PLUG (DJ7Y)
	79252	1	SPARK PLUG (RDJ7Y) (Int'l)
15	987582	1	CRANKSHAFT (Model 145 & 155)
	987583	1	CRANKSHAFT (Models 175,175C,175BC,185,185C,285,275,285BC,385,385C,
16	69250	1	KEY- Woodruff
17	98767A	1	GASKET- Crankcase cover
18	98792	3	BUMPER- Rubber
19	01023B	1	COVER- Crankcase
20	98752	1	CLAMP
21	98934	1	SHIELD
22	98765B	1	GASKET- Heat dam
23	81208	2	NUT (10-24)
24	98768	1	HEAT DAM
25	825491	2	SCREW- Taptite (10-24 x 1")
26	98766A	1	GASKET- Carburetor
27	A03003	1	CARBURETOR- (Zama)
	A03002	1	CARBURETOR- (Walbro)
28	A01440A	1	AIR FILTER BOX
29	00772	1	DECAL- Choke, Run
30	98943	1	DECAL- Push-Hold
31	D98760A	1	FILTER- Air
32	98754B	1	COVER- Crankcase
33	82368	2	SCREW- Plastite (8 x 3/4")
34	82542	2	SCREW (10-24 x 2 1/4")
35	A01441	1	TANK- Fuel
36	49422	1	FILTER- Fuel
37	9477232	1	TUBING- Rubber (8")
38	98268	1	WIRE CLAMP
39	0143932	1	TUBING- Rubber (8")
40	A00982A	1	FUEL CAP ASSEMBLY
41	98805A	1	GASKET- Fuel cap
42	03134	1	VALVE- Duckbill
43	98913	1	FILTER-Cap
44	A98808	1	BRACKET-Cable
45	A95007	1	ROTOR
46	A70285E	1	KIT- Starter pawl
47	A98918	1	LEAD- Electrical (Models 175BC,185,185C,285BC,385-UT-15040&UT10540-A,
48	A02576B	1	HOUSING- Engine (Clutch Models Only)
	A02575	1	HOUSING- Engine (Non-Clutch Models)
49	A02396A	1	TUBE ADAPTOR
50	88054	1	SCREW (10-24 x 1 1/4")
51	81208	1	NUT(10-24)

Ref #	Part Number	Qty	Description
52	01547	1	ADAPTOR- Clutch (Clutch Models Only)
53	A02727	1	CONNECTOR & DRUM
54	00242	2	CLUTCH
55	88052	4	SCREW (10-24 x 7/8")
56	82538	3	SCREW (10-24 x 3/4")
57	9789902	1	ROPE- Starter (42")
58	02264	1	GRIP- Starter
59	98770	1	PULLEY- Starter
60	98791	1	BRACKET- Retaining
61	82541	2	SCREW- Plastite (10 x 1/2")
62	A00107A	1	CRANKCASE ASSEMBLY
63	98797	1	BEARING- Ball
64	98800	1	SEAL
65	98799	1	RING- Retaining
66	98798	1	BALL- Bearing
67	82538	5	SCREW- Taptite (10-24 x 3/4")
68	A98773	1	SPRING & CONTAINER
69	82540	2	SCREW- Taptite (8-32 x 1")
70	94711CS	1	MODULE- Ignition
71	69326	1	LEAD- High-Tension
72	A33055	1	TERMINAL- High-Tension
73	84065	1	WASHER- Flat (5/16") (Non-Clutch Models)
74	88077	1	SCREW- Hex sems (10-24 x 3/8")
75	02851	1	TERMINAL (Models 385--UT15040B, UT15040C, & UT15040D) (Model 485)
76	A00254	1	WIRE GUARD KIT (California Models Only)
77	88049	2	SCREW- Hex sems (10-24 x 1/2")
78	81208	2	NUT- (10-24)
79	98795A	1	CONNECTOR- Drive (Non Clutch Models)
80	A00681	1	LEAD- Electrical (Model 385--UT15040B, UT15040C, UT15040D & Model 485)
81	95020	1	SPRING- Compression
82	82513	1	SCREW- Thread Forming
83	A98809	1	LEAD- Electrical (Models 145, 155, 175, 175C, 285, HGT & GST)
84	98769	1	BUTTON- Switch
85	82268	1	SCREW- Hex sems (10-24 x 3/8")
86	98802A	1	CLAMP
87	97574	1	NUT- Square
88	82455	1	SCREW
89	98929A	1	WASHER- Clutch
90	A98919	1	LEAD- Ground (Models 185 & 385--UT15040 & UT15040A)