



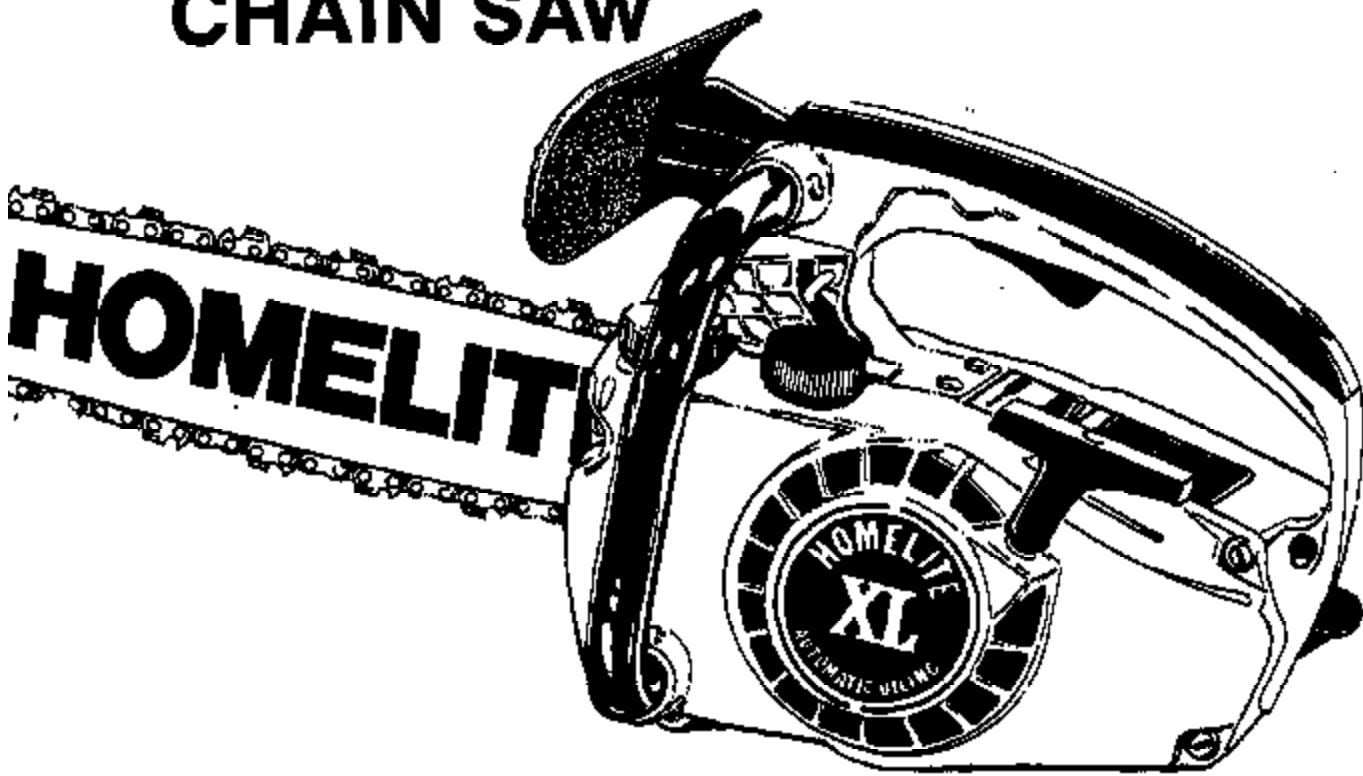
PART NO. 24923 - Rev. 3
Printed in U.S.A.
Price 35¢

PARTS LIST

HOMELITE®

XL® AUTOMATIC OILING

CHAIN SAW



MAGNESIUM HOUSING

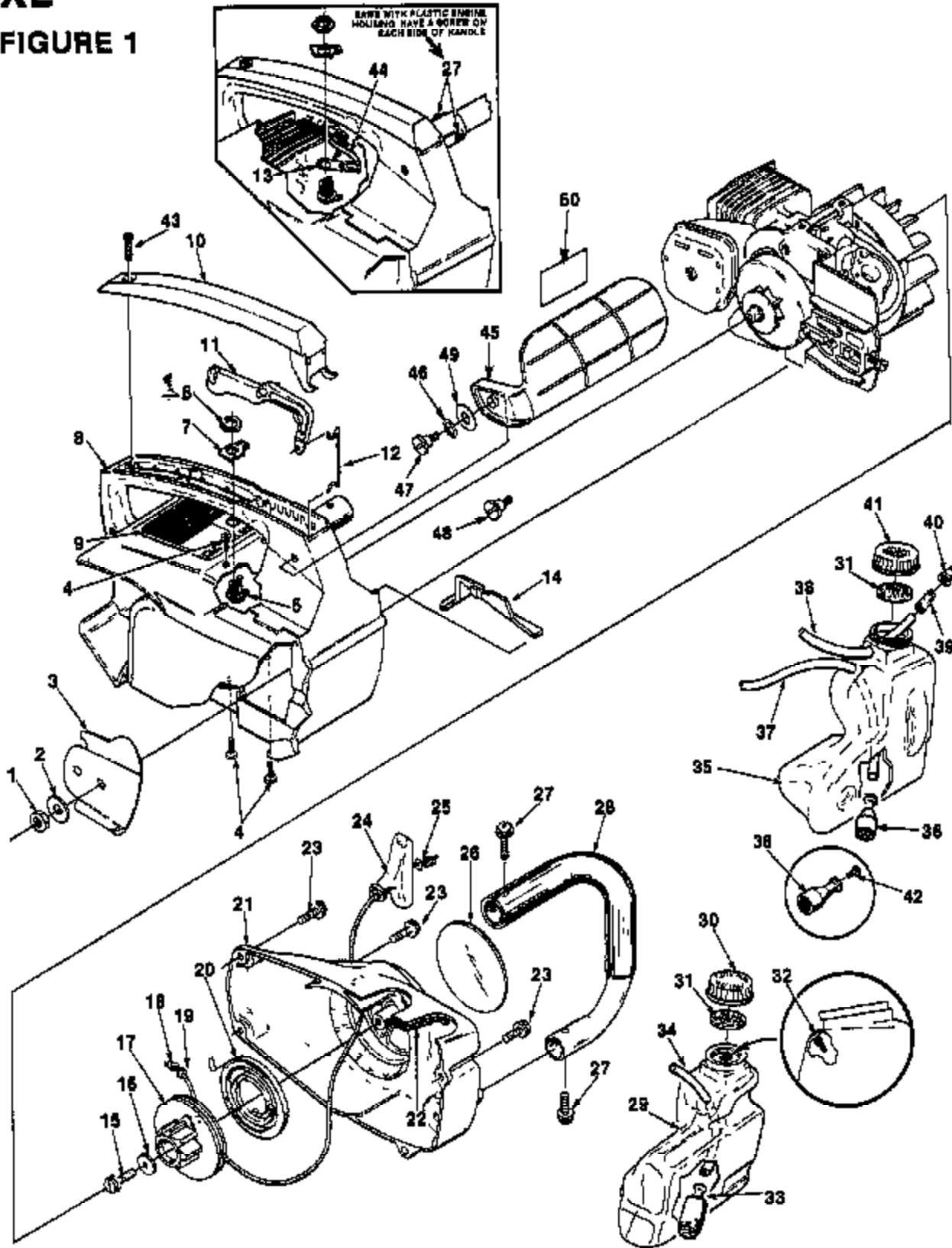
PLASTIC HOUSING

HOMELITE TEXTRON

Homelite Division of Textron Inc.

XL

FIGURE 1



XL

FIGURE 1

No.	Description	Part No.	XL - Mag. Htg.		Qty.	No.	Description	Part No.	XL - Mag. Htg.		Qty.
			XL	PL Htg.					XL	PL Htg.	
1	NUT- Guide bar 1/4-28	81065-2	x	x	1	35	TANK- Oil	A-70698-A	x	x	1
2	WASHER- Flat	88309-A	x	x	1		Includes:				
3	PLATE- Guide bar	89380-1	x	x	1	35	FILTER- Oil				
4	SCREW- Pan hd. (10-24 x 1/2)	96620	x	x	4		(pressurized oiler only)	A-78688	x	x	1
5	SWITCH- Stop (Note 1)	93859	x	x	1		FILTER- Oil				
	SWITCH- Stop (grounding)	A-89999	x	x	1		(diaphragm oiler only)	A-68693	x	x	1
	Includes:					37	LINE- Oil (note 4) 8"	70309-24	x	x	1
6	NUT- Hex	72084-A1	x	x	1	38	LINE- Pressure (note 5)	A-89366-B	x	x	1
7	PLATE- "On-Off"	70634	x	x	1		Includes:				
8	HOUSING- Engine	A-89944-D	x	x	1	39	CONNECTOR- Oil	89669-B	x	x	1
	HOUSING- Engine	A-86683	x	x	1	40	VALVE- Check (Duck bill)	89481	x	x	1
	Includes:					41	GAP- Tank (oil)				
9	PLATE- Starting instruction	70685	x	x	1		(Black) (See note 2)	A-97359	x	x	1
10	COVER- Handle	88872-A	x	x	1		Includes:				
11	TRIGGER- Front	89874-B	x	x	1		GASKET- Filler cap				
12	ROD- Throttle (Front)	89256-C	x	x	1		(See #31) (Note 3)	84494	x	x	1
13	STRAP- Ground	96417	x	x	1	42	PLUG- (pressurized oiler only)	90703-B	x	x	1
14	COVER- Air filter	88283-E	x	x	1	43	SCREW- Pan hd. (10 x 5/8)	82312	x	x	1
15	SCREW- Hex washer hd. (10-32 x 5/8)	80704	x	x	1		SCREW- Pan washer hd. (10-22 x 5/8)	82239	x	x	1
	SCREW- (10 x .750)					44	LEAD- Ground switch	A-83717	x	x	1
	(See note 8) & (note 9)	70771	x	x	1	48	GUARD- Hand (Note 7)	A-70788-C	x	x	1
16	WASHER- Flat	84082	x	x	1		Includes:				
17	PULLEY- Starter	88168-A	x	x	1	46	WASHER- Curved spring	86694	x	x	1
18	ROPE- Starter #4, 34" long	A-93874-A	x	x	1	47	SCREW- Shoulder (10-32 self-tapping)	85713	x	x	1
	Includes:					48	SCREW- Shoulder (#10 thd. form x .800)	85714	x	x	1
19	WASHER- Nylon	93852	x	x	1	49	WASHER- Flat	88192	x	x	1
20	SPRING- Rewind	89217	x	x	1	50	DECAL	88990	x	x	1
	SPRING- Rewind (alter lot #0003)	A-85233	x	x	1						
21	HOUSING- Rewind starter	A-89540	x	x	1						
	HOUSING- Rewind starter	A-84241	x	x	1						
22	FILTER- Fuel tank valve	88443	x	x	1						
23	SCREW- Hex 10-32 x 5/8	80704	x	x	4						
	SCREW- (10 x .750)										
	(See note 8) & (note 9)	70771	x	x	4						
24	GRIP- Starter rope	70211	x	x	1						
25	WASHER- Flat	84026	x	x	1						
26	DECAL- XL	89887	x	x	1						
27	SCREW- Pan washer hd. (10-32 x 5/8)	82239	x	x	2						
	SCREW- Pan hd. #8 x 1/2 (note 8)	84086	x	x	4						
28	HANDLE BAR	A-70219-A	x	x	1						
	HANDLE BAR	84508	x	x	1						
29	TANK- Fuel	A-70899-B	x	x	1						
	Includes:										
30	GAP- Tank fuel (red) (Note 2)	A-97228	x	x	1						
	Includes:										
31	GASKET- Fuel filler cap (Note 3)	84494	x	x	1						
32	VALVE- Check (Duck bill)	89481	x	x	1						
33	FILTER- Fuel	88639	x	x	1						
34	LINE- Fuel 7 1/4"	70310-28	x	x	1						

NOTE 1: 93859 switch does not include 72084-A1 nut.

NOTE 2: Tanks with internal threads require A-70446 fuel cap and A-70446 oil cap. If internal threads in tank are worn, order new external threaded tank.

NOTE 3: Use 88686 gasket for rope with external threads.

NOTE 4: Units with pressurized oil system use 70309-21 tubing for replacements of index #37.

NOTE 5: Units with pressurized oil system use 70309-08 tubing for replacement of index #38.

NOTE 6: Units with plastic housings requires a screw in each side of handle (see inset).

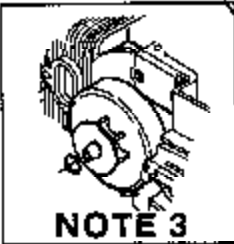
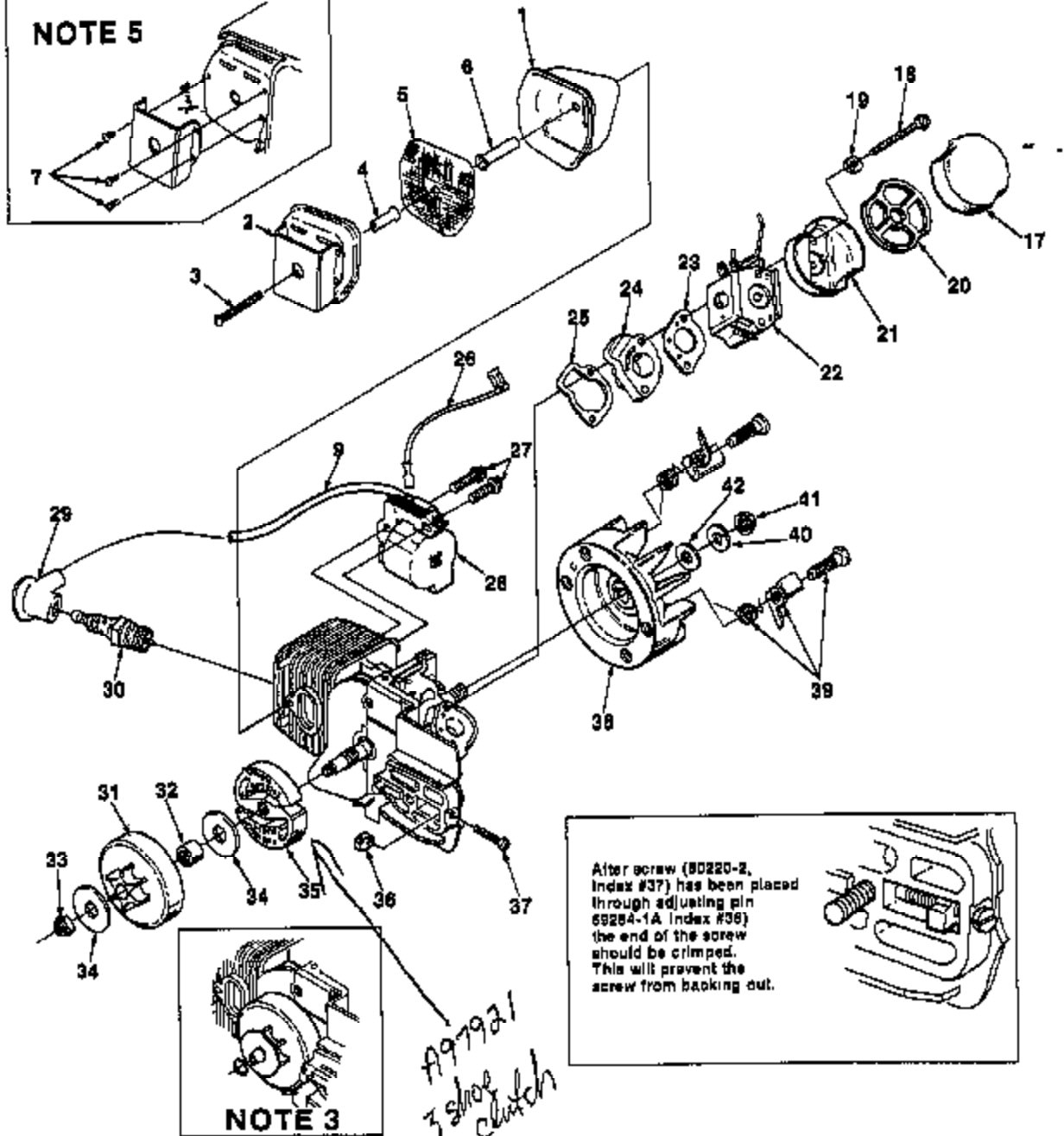
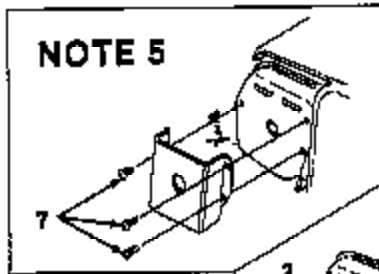
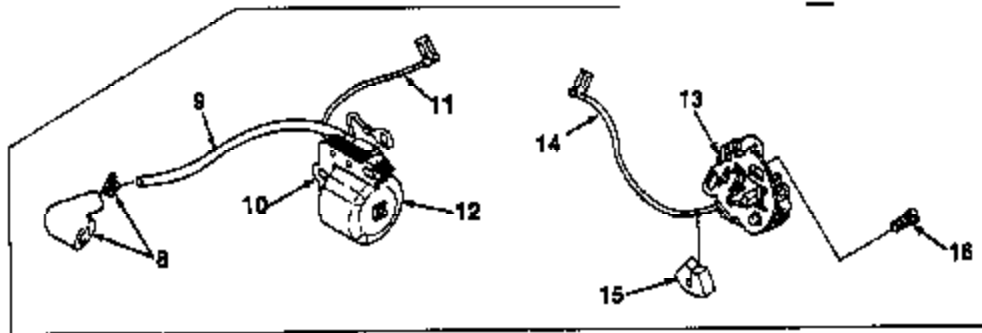
NOTE 7: For units with steel hand guard require 70728 ball/valve washer, 70748 spacer, 80572 screw 10-32 x 5/8 (Mag. tag) or 82312 screw for plastic housing.

NOTE 8: If screw is stripped out of starter housing, replace all four screws with 84505.

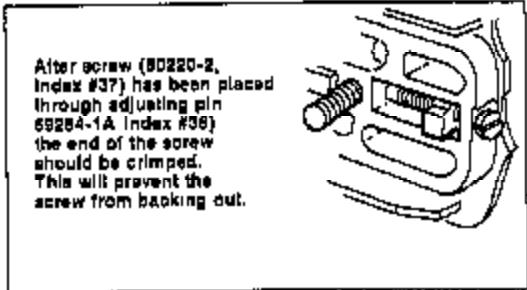
NOTE 9: If pulley binds on starter housing when 70771 screw is tightened, use 88144 washer as a shim.

XL

FIGURE 2



*A97921
3 shoe clutch*



XL

FIGURE 2

No.	Description	Part No.	Qty.	No.	Description	Part No.	Qty.
	MUFFLER- Complete	A-94051-B	1	30	SPARK PLUG- Champion DJ-7J	68818-S	1
	Includes:			31	SPROCKET & DRUM (Standard)		
1	BODY- Muffler	93998	1		(fit 37 & 375 chain)	A-95553-A	1
2	CAP- Muffler (W/shield)	A-95428	1		SPROCKET & DRUM (Early models)		
	SPARK ARRESTOR	A-94138	1		(fit 26 pitch)	A-69587-A	1
	Includes:				Includes:		
3	SCREW	82320	1	32	BEARING- Needle	68612	1
4	SPACER (Short)	93999	1	33	NUT- Locking (5/16-24) (Note 3)	61112	1
5	SCREEN- Spark arrester	D-93991	1	34	WASHER- Thrust (Clutch)	95299	2
6	SPACER (Long)	93990	1	35	CLUTCH- "S"	A-70361-A	1
7	SCREW- #4 x .250 (note 5)	82342	3	36	PIN- Adjusting (See insert)	69264-1A	1
8	TERMINAL- Spark plug	A-33056	1	37	SCREW- Adjusting (Fit hd 8-32 x 1)		
9	LEAD- High tension (Note 1)	69326	1		(See insert)	80220-2	1
10	CORE- Coil (Point ignition)	69324	1	38	ROTOR & STARTER PAWL		
11	LEAD- Stop switch (point ignition)	A-95051	1		(Solid State) (Phelon)	A-98007	1
12	COIL- Ignition (Point ignition)	69323	1		ROTOR & STARTER PAWL		
	RETAINER- Coil (Point ignition)				(Point ignition) (Phelon)	A-69297-C	1
	(Not shown)	69325	1		Includes:		
13	POINT SET- Breaker (Point ignition)	A-89338	1	39	KIT- Starter pawl (Note 4)	A-70285-D	1
	Includes:			40	WASHER- Lock	69002	1
14	LEAD- Electrical	70249	1	41	NUT- Rotor 5/16-24	61117	1
15	SEAL- Lead (Point ignition)	69247	1	42	WASHER- Flat	84053	1
16	SCREW- Point set (Point ignition)	66026	2				
17	FILTER- Air	69141	1				
18	SCREW- Hex hd (10-32 x 2 1/4)	80481	2				
19	WASHER- Lock #10	69008	2				
20	RETAINER- Air filter	69457	1				
21	CUP- Air filter	69148	1				
22	CARBURETOR- HDC-66 (Walbro)	A-94549-A	1				
	CARBURETOR- ZAMA (C29-h5)	A-98481	1				
23	GASKET- Carburetor	65016	1				
24	MANIFOLD- Intake	A-69373-B	1				
25	GASKET- Intake manifold	69143	1				
26	LEAD- Ground (Solid state)	A-84721	1				
27	SCREW- Hex washer (8-32 x 3/4)	82248	2				
28	MODULE- Ignition (Solid State)	94711	1				
	MODULE- Ignition (Alternate source)	94711-1	1				
	Includes:						
	LEAD- High tension						
	(See Index #9)	69326	1				
29	TERMINAL- Spark plug						
	(Solid State) (Note 2)		1				

NOTE 1: For solid state ignition cut wire to 6 1/2".

NOTE 2: Use A-33056 for service replacement.

NOTE 3: Retaining ring, 93972 must never be reused once it has been removed. 93972 is required for crankshaft without threaded clutch ends.

NOTE 4: Replacement starter pawl kit, item #39 includes an oversized pin. Paint, stamp or mark to identify oversized pin when installing. Oversized pin can be installed lightly only once. If oversized pin is removed, the entire rotor assembly must be replaced.

NOTE 5: Units with separate shield requires index #7 screws. All new muffler caps A-95428 includes a shield welded to cap.

XL

FIGURE 3

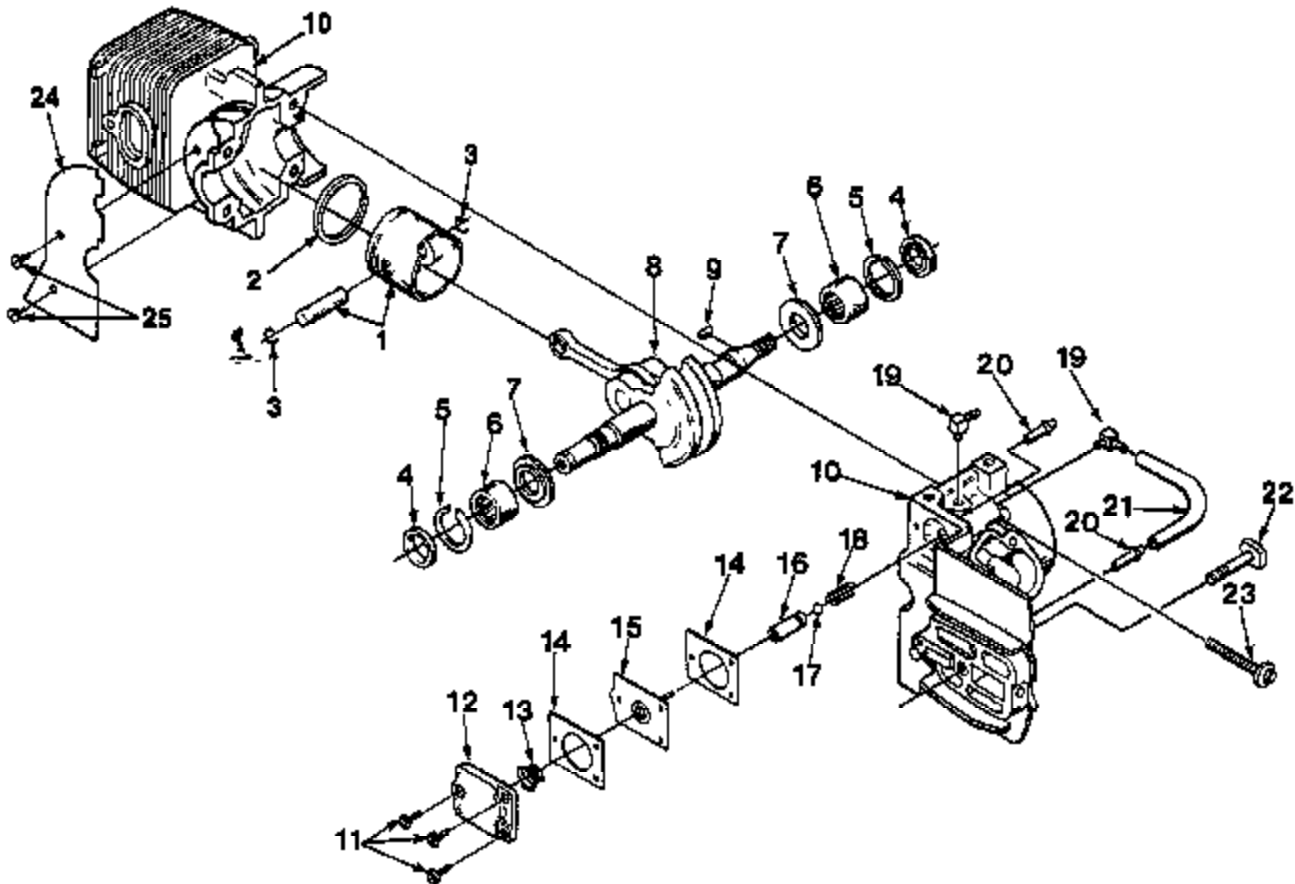


FIGURE 3

No.	Description	Part No.	Qty.	No.	Description	Part No.	Qty.
1	PISTON & PIN Includes	A-89393	1	11	SCREW- Pan hd (8-32 x 3/8) Includes	80571	3
2	PISTON RING (Note 1)	66812	1	12	COVER- Oil pump	69224-1C	1
3	RING- Piston pin retaining	65261	2	13	SPRING- Oil pump	69447	1
4	SEAL	94636	2	14	GASKET- Oil pump	69244-1	2
5	SPACER- Seal	68407	2	15	PLUNGER- Oil pump	A-12366-B	1
6	BEARING- Needle BEARING- Needle (Alternate source)	12590 66513	2 2	16	BODY- Oil pump	69343-1	1
7	WASHER- Thrust	69093-B	2	17	BALL- Check valve	80061	1
8	CRANKSHAFT (Solid State) CRANKSHAFT (Point Ignition)	A-84982 A-96385	1 1	18	SPRING- Check valve	66570	1
	Includes			19	FITTING- Oil line	70204	2
9	NUT— (Not shown)	61112	1	20	FITTING- Tube	69833	2
9	KEY- Magneto	69260	1	21	LINE- Oil	70161	1
10	CYLINDER & CRANKCASE (Solid State) CYLINDER & CRANKCASE (Point Ignition)	A-95071-A A-69421-B	1 1	22	BOLT- Guide bar	69165	1
				23	SCREW- Sems hex hd (3-32 x 1)	88044	4
				24	SHIELD- Sawdust	69094	1
				25	SCREW- Tap pan hd	93932	2

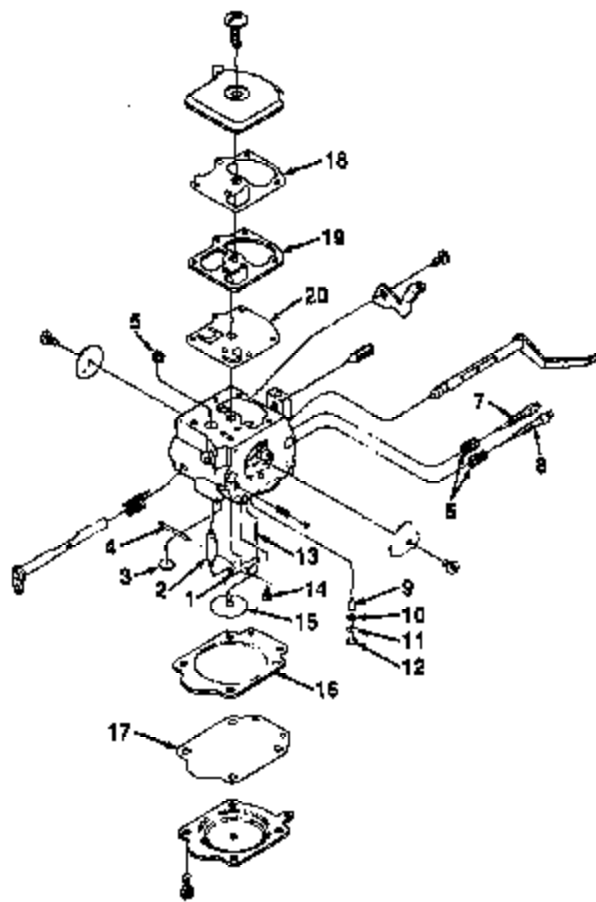
NOTE 1: Use 66938 piston ring for units with pinless piston.

XL

FIGURE 4

ZAMA CARBURETOR C2S-H5

A-96481

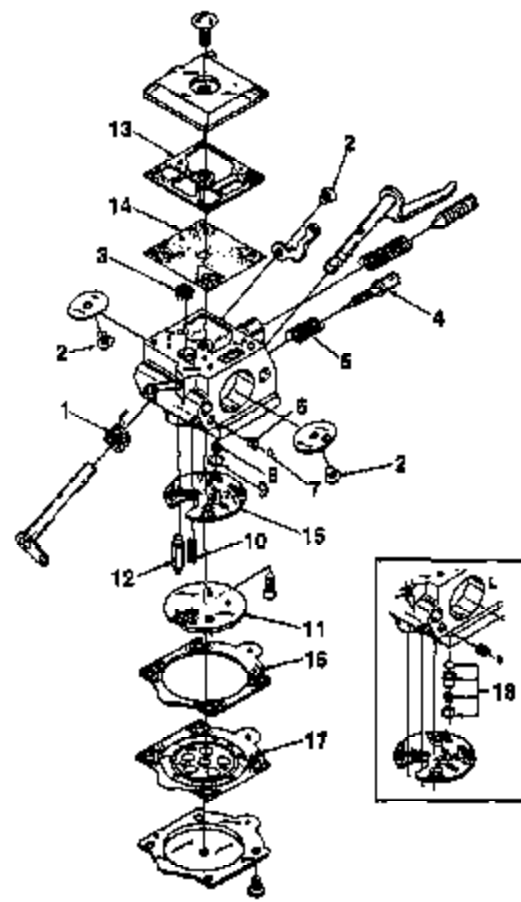


<u>NO.</u>	<u>DESCRIPTION</u>
96484	Repair Kit (1-20)
96485	Gasket/Diaphragm set (16-20)

FIGURE 5

WALBRO CARBURETOR HDC-65

A-94649-A



<u>NO.</u>	<u>DESCRIPTION</u>
94056	Repair Kit (Includes 1-17)
94701	Gasket/Diaphragm set (Includes 13-17)
93910-A	Check valve repair kit (18)
64229	Inlet Needle (#12)

ACCESSORIES

<u>DESCRIPTION</u>	<u>NO.</u>
GASKET- Oil pump body (Repair)	89598
KIT- Repair (Sprocket nose bar (37 & 375 chain)	A-70239-D
KIT- Spark arrester (used with A-93688 muffler and A-89253-1 muffler)	A-89588-B
TUBING- Rubber (10 ft. length) fuel	70310-99
TUBING- Rubber (10 ft. length) oil	70309-99
SAFE-T-TIP (Standard on unit)	DA-70776-A
Includes:	
SCREW (Spec 8)	83695
GREASE- Multi-use (Sprocket bearing- PT guide bar)	17193
CARRYING CASE	84215-A
STARTING ROPE- 250 ft. reel #4	68848-1

TOOLS

<u>DESCRIPTION</u>	<u>NO.</u>
SILASTIC- (Crankcase sealing)	24823
PLIERS- Tru-Arc (Sprocket retaining ring)	17198
PULLER- Magneto rotor	A-24747-A
Includes:	
BOLT- (5/16-18 x 1 3/4) (1)	80288
NUT- Hex 5/16-18 (2)	81198
WRENCH- Spanner (Clutch)	A-89791
Includes:	
PIN- Clutch spanner (2)	23717-A
TOOL- Carburetor check valve Installation (Walbro only)	24972
SHIM- .015 (Air gap)	22486
WRENCH- Combination	D-24814

HOMELITE DIVISION OF TEXTRON INC.
P.O. BOX 7047
14401 CAROWINDS BOULEVARD
CHARLOTTE, N.C. 28217

HOMELITE TEXTRON

Homelite Division of Textron Inc

Homelite Parts