

123 C

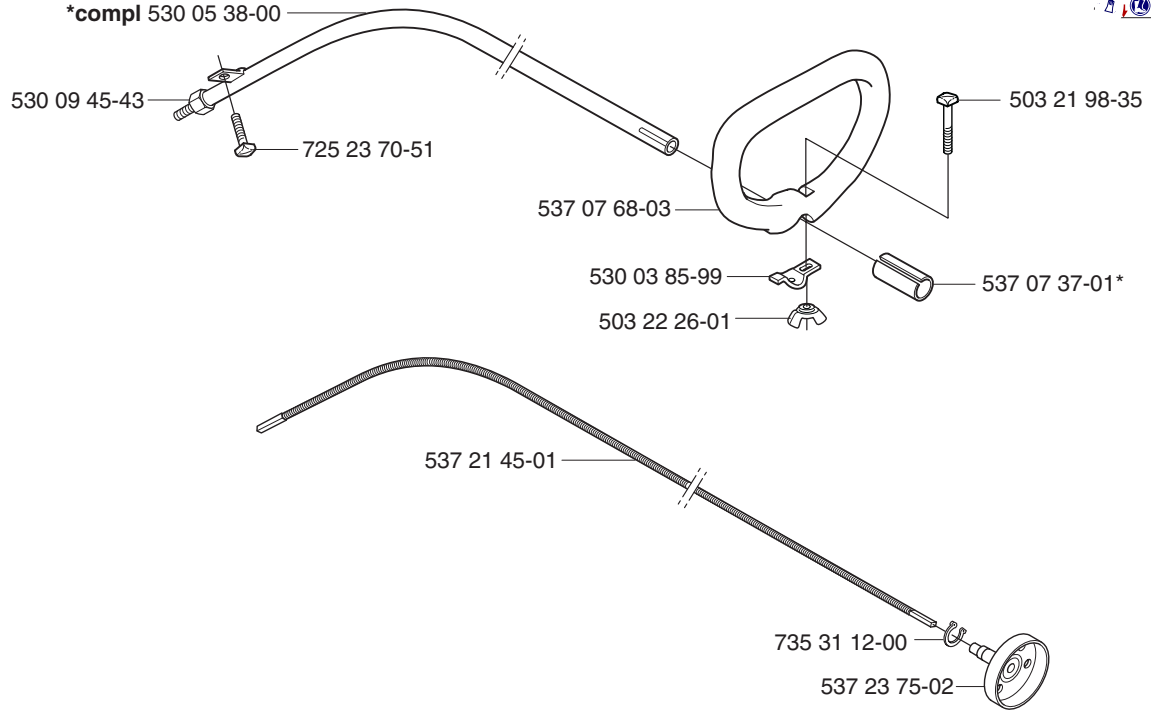
123 L

123 LD

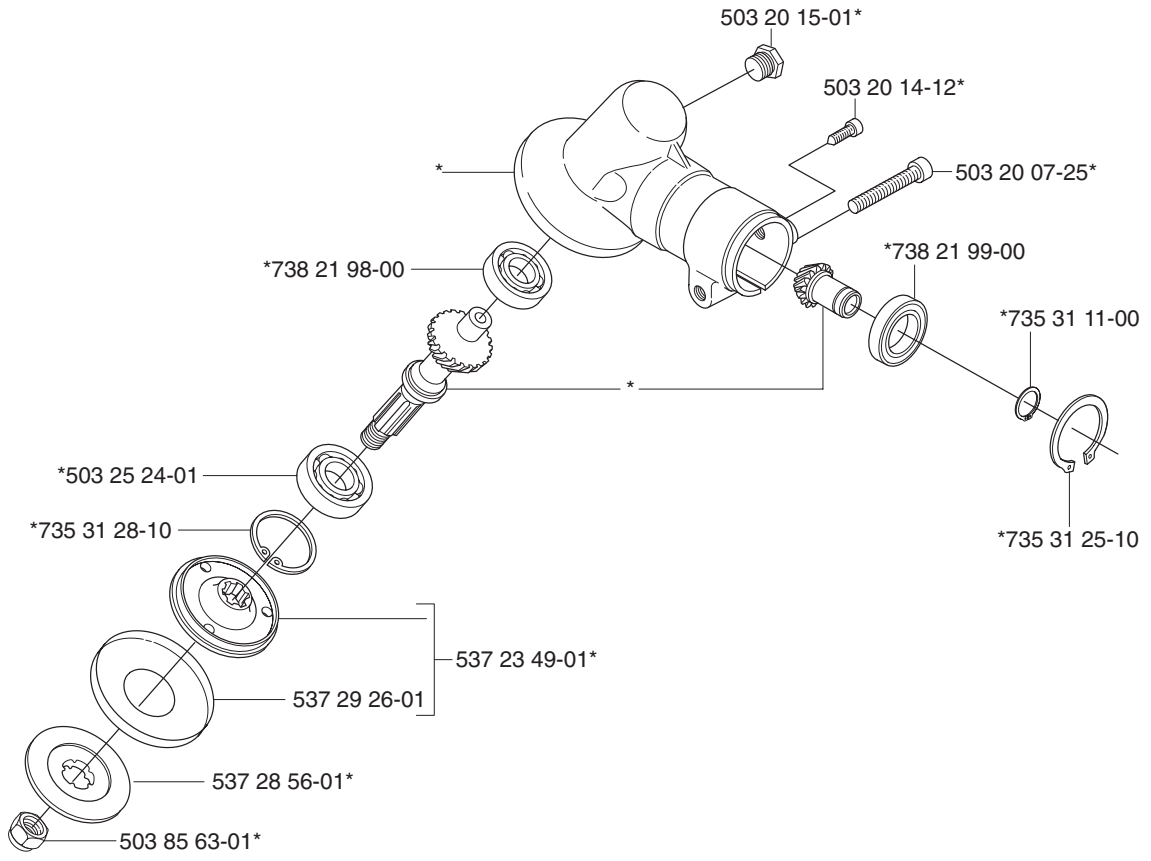
Spare parts
Ersatzteile
Pièces détachées
Reserve onderdelen
Repuestos
Reservdelar

A 123C

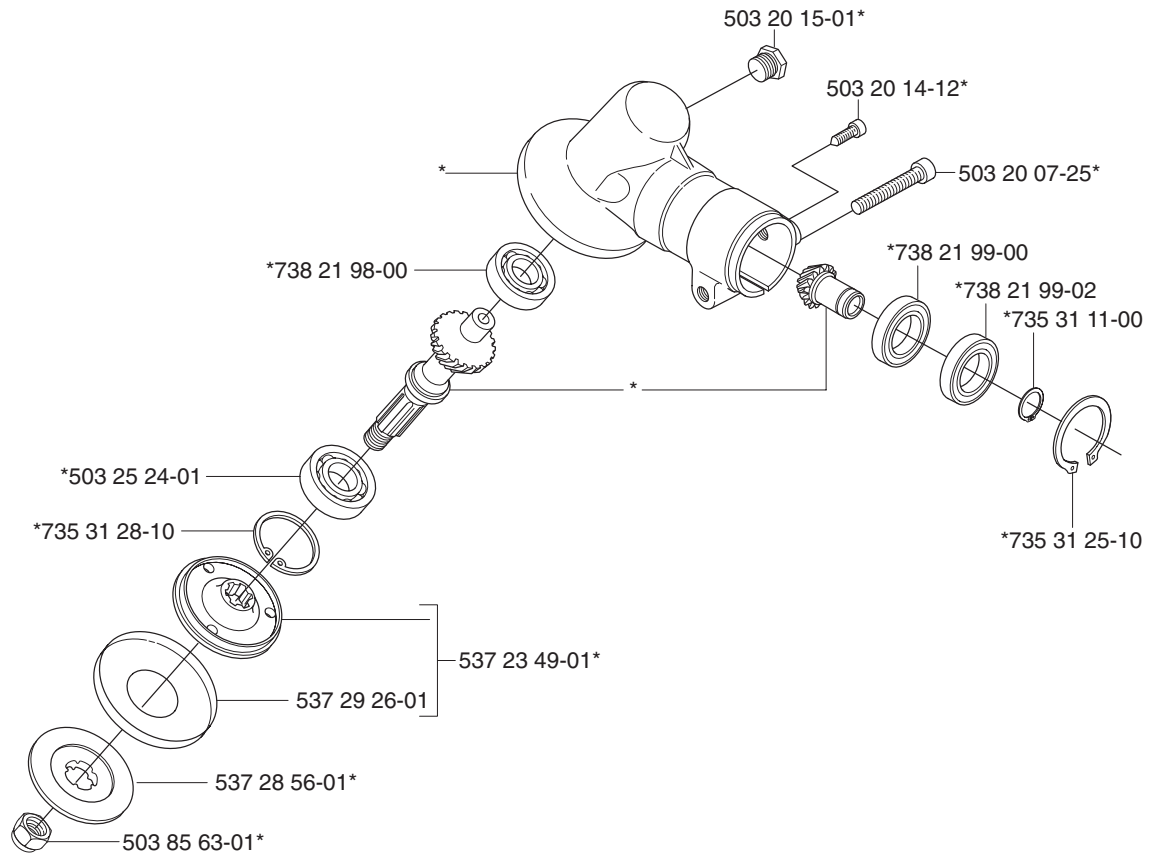
503 79 56-01 537 29 47-05



B *compl 537 34 25-01 123L

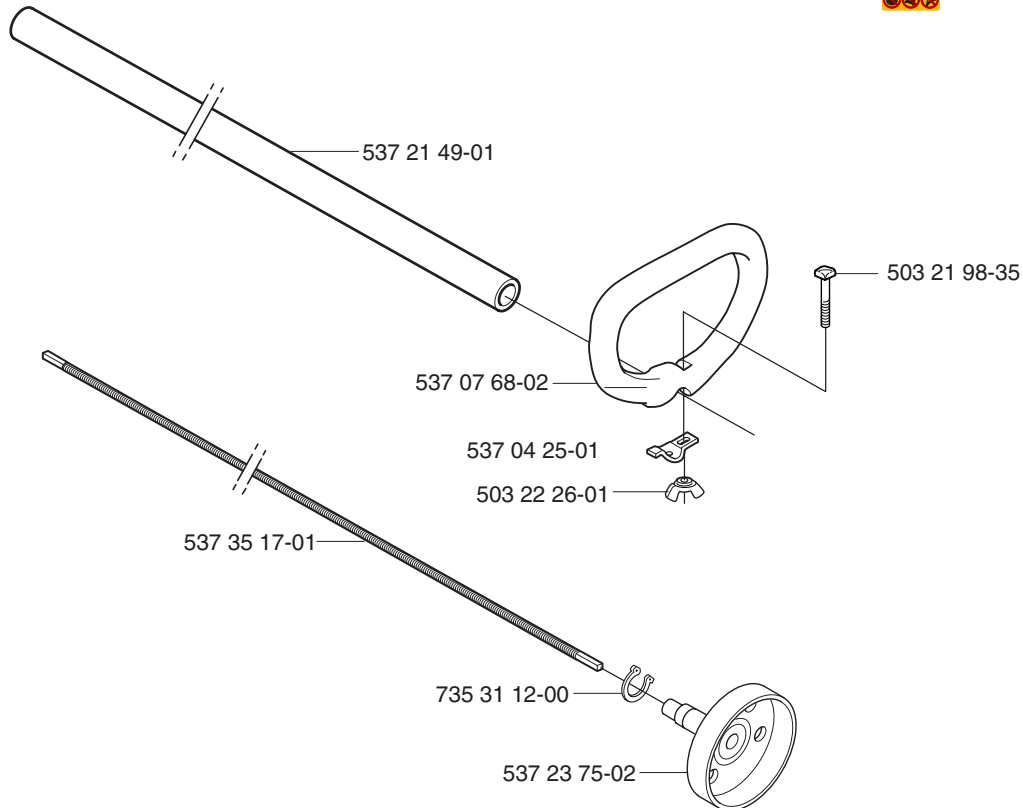


B *compl 537 19 92-02 123LD



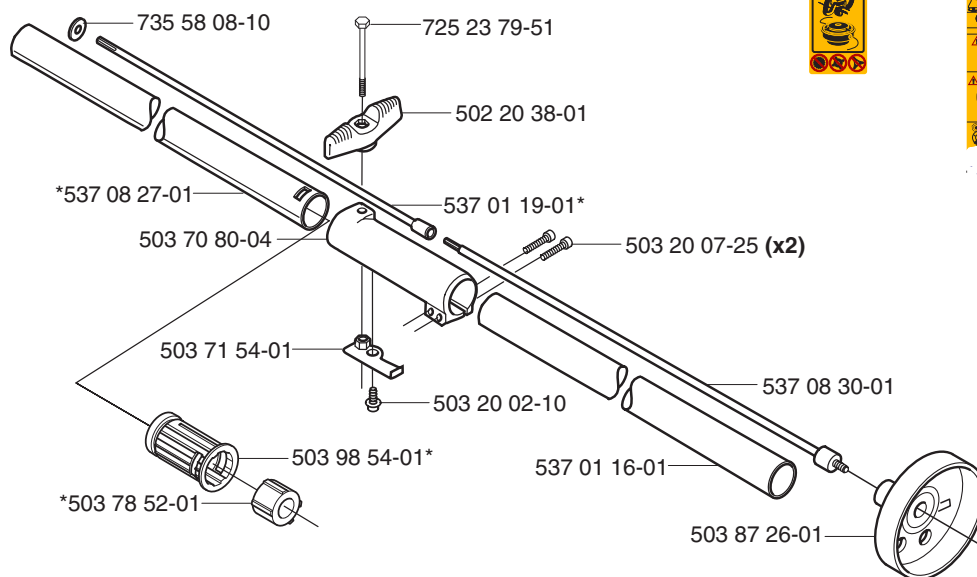
C 123L

503 79 56-01 537 29 47-04

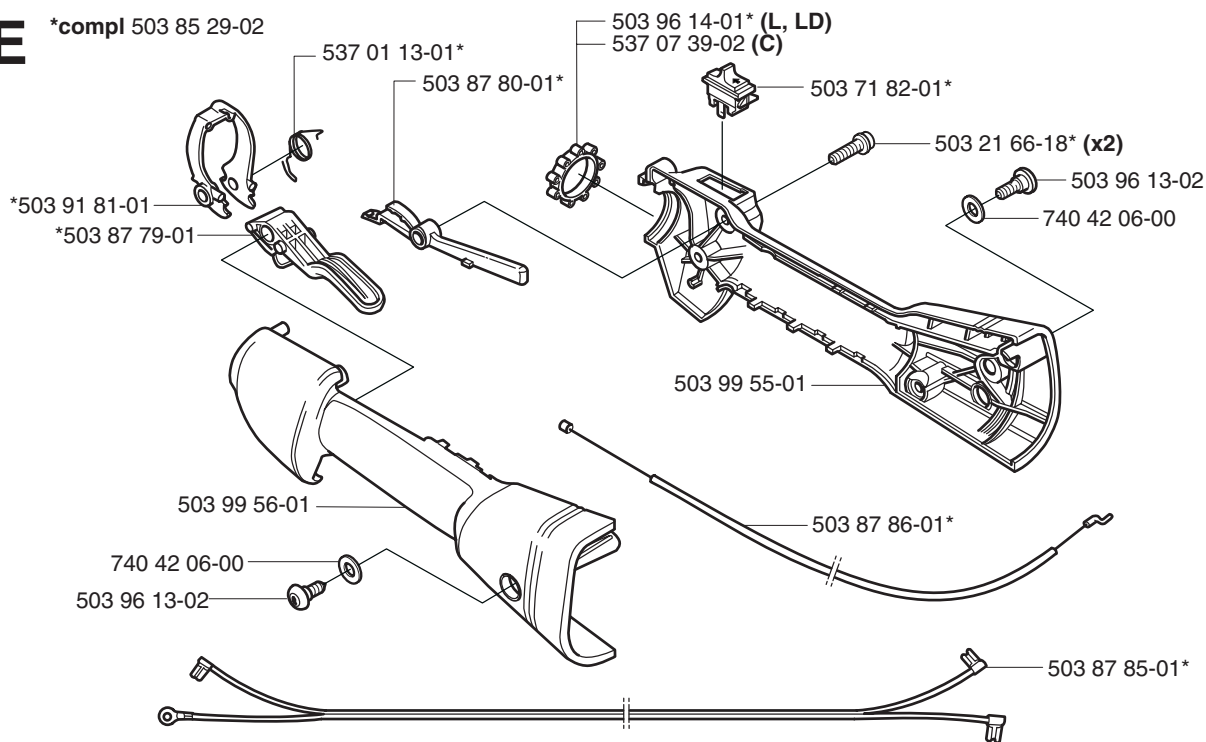


D 123LD
*compl 537 24 64-01

503 79 56-01 537 29 47-04

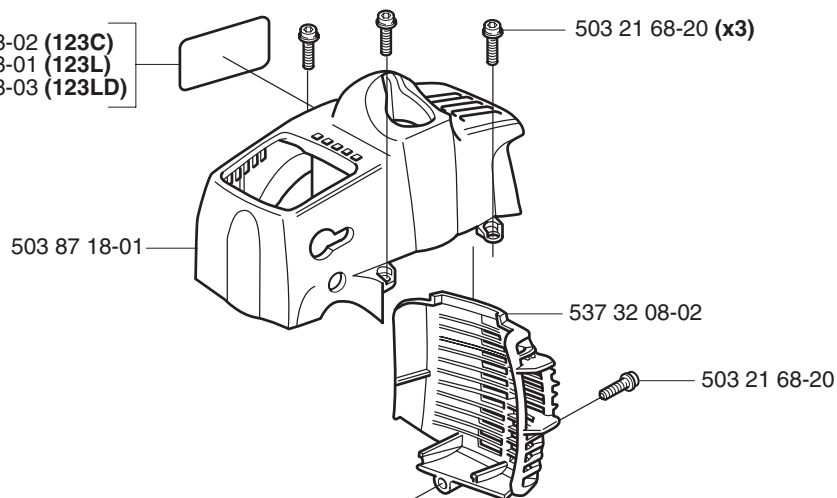


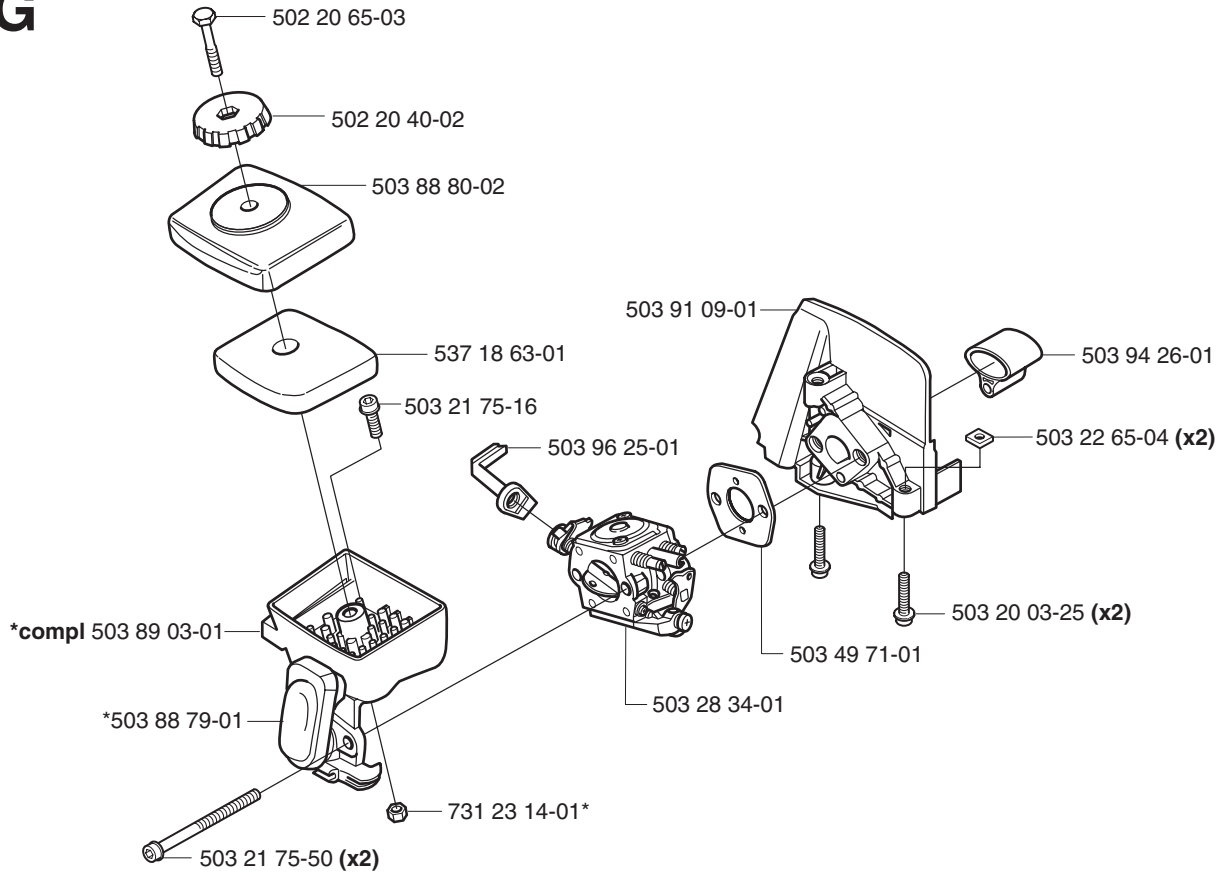
E *compl 503 85 29-02



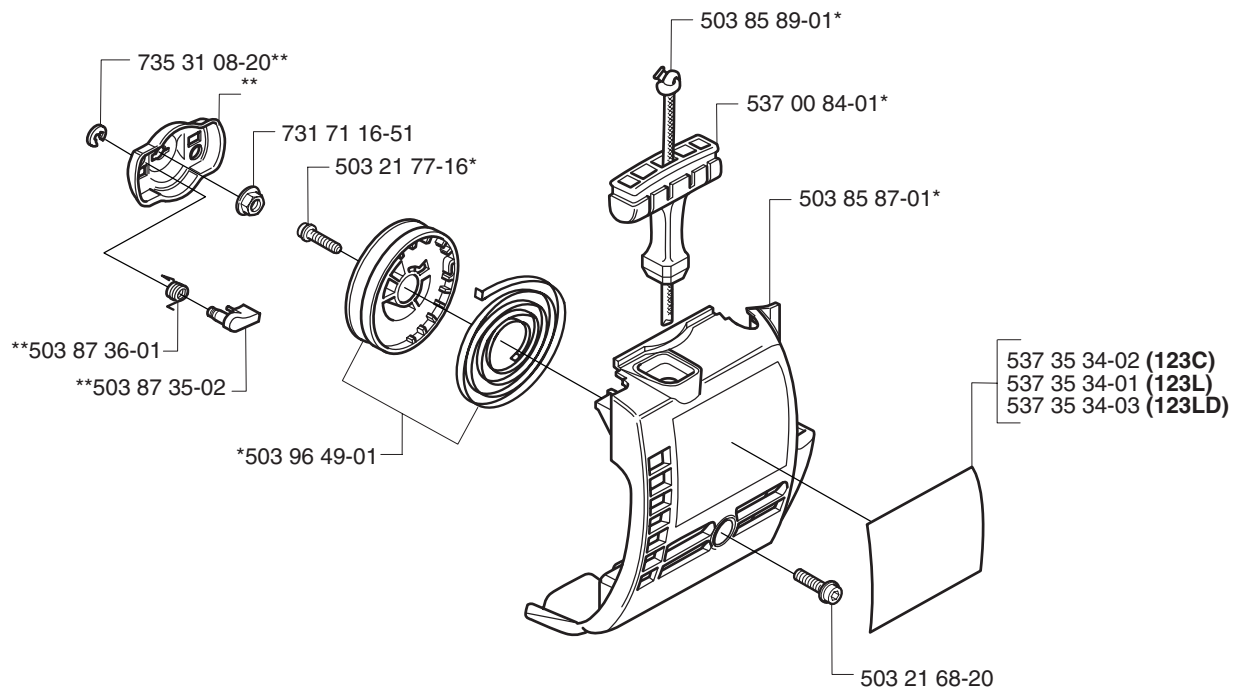
F

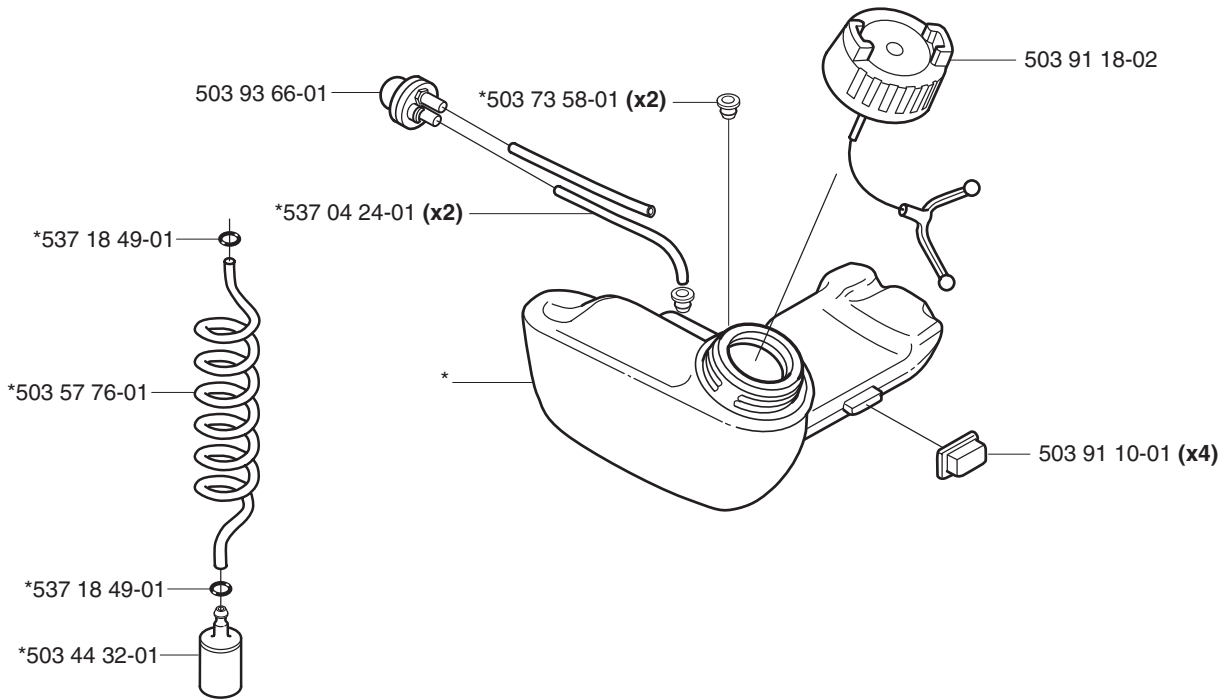
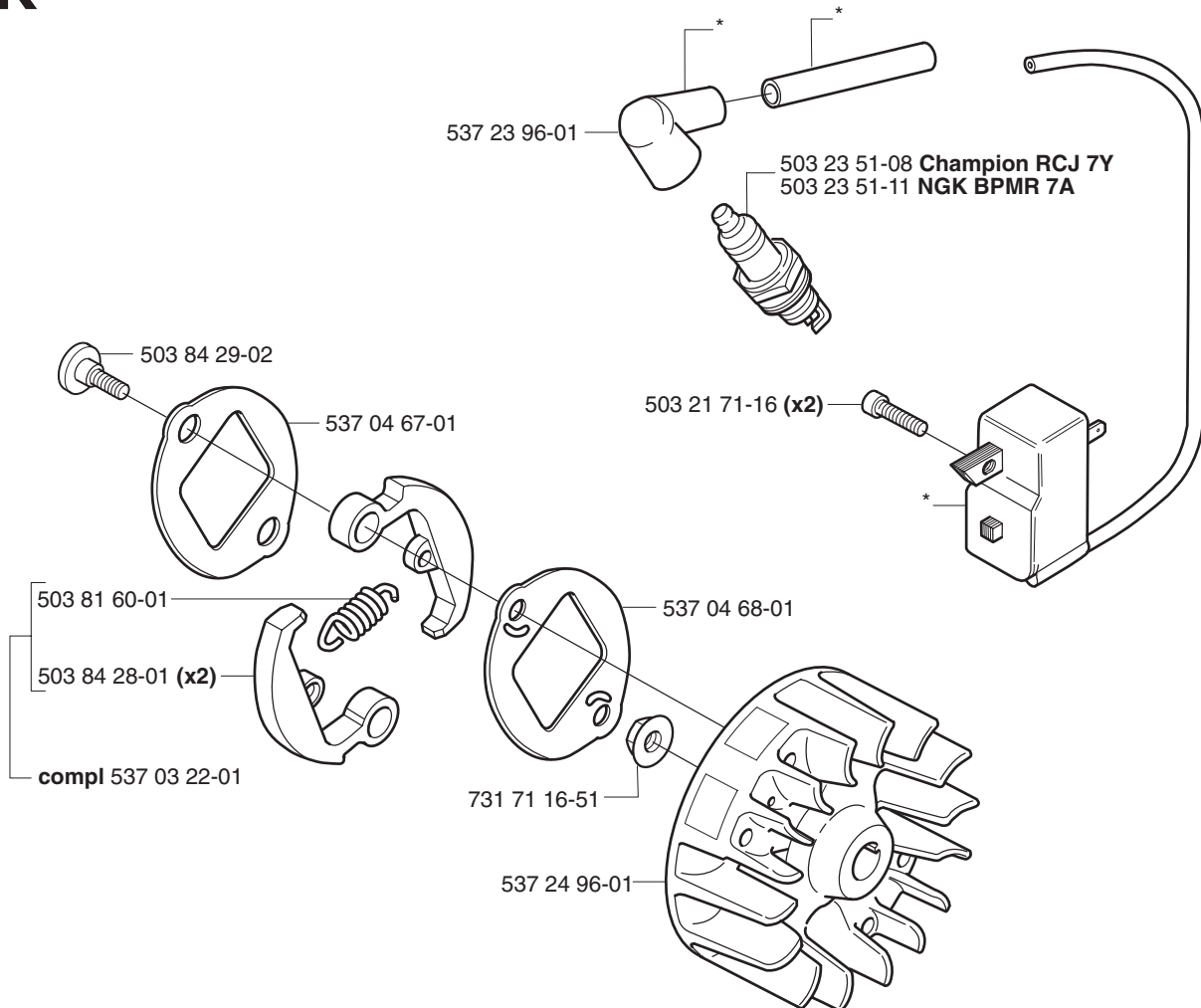
537 35 33-02 (123C)
537 35 33-01 (123L)
537 35 33-03 (123LD)



G**H**

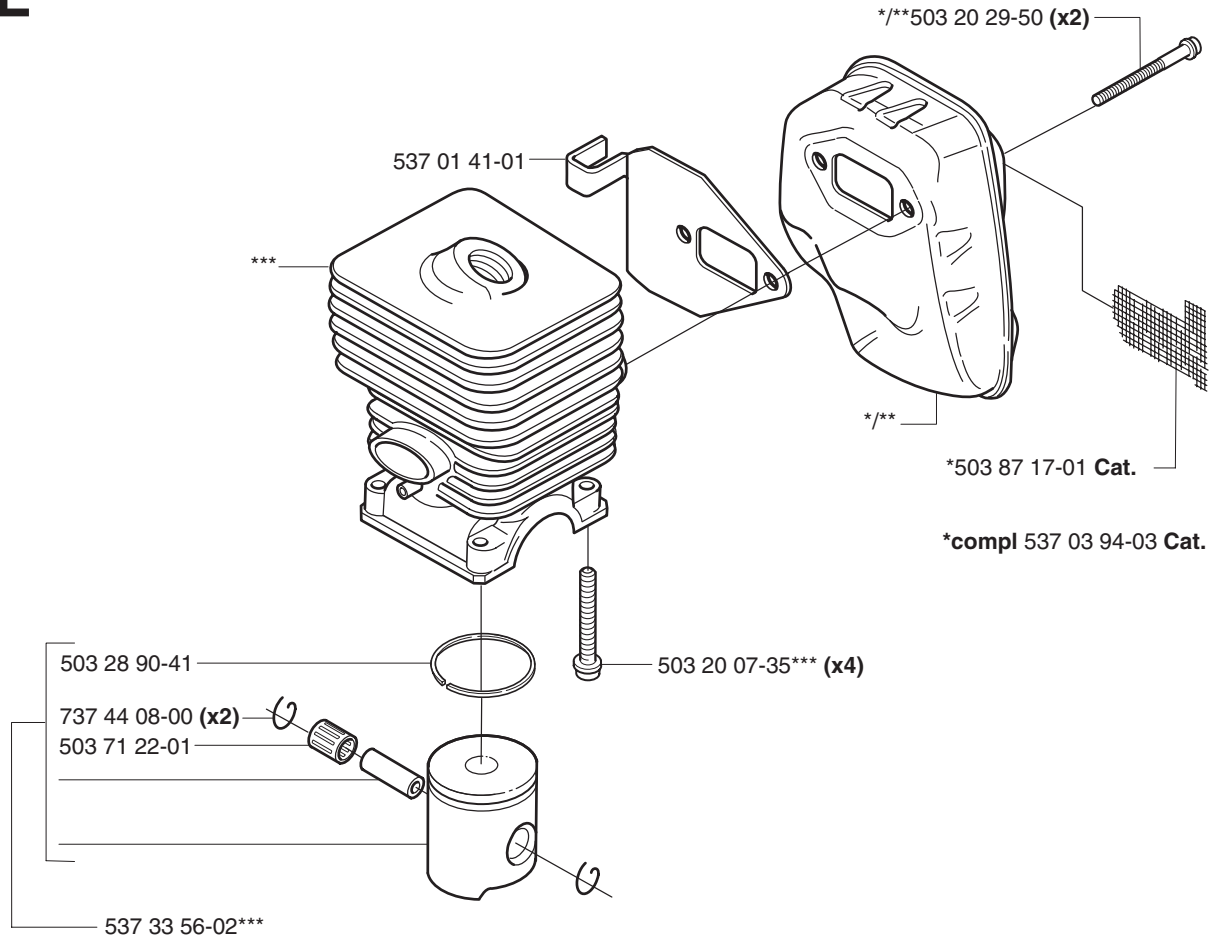
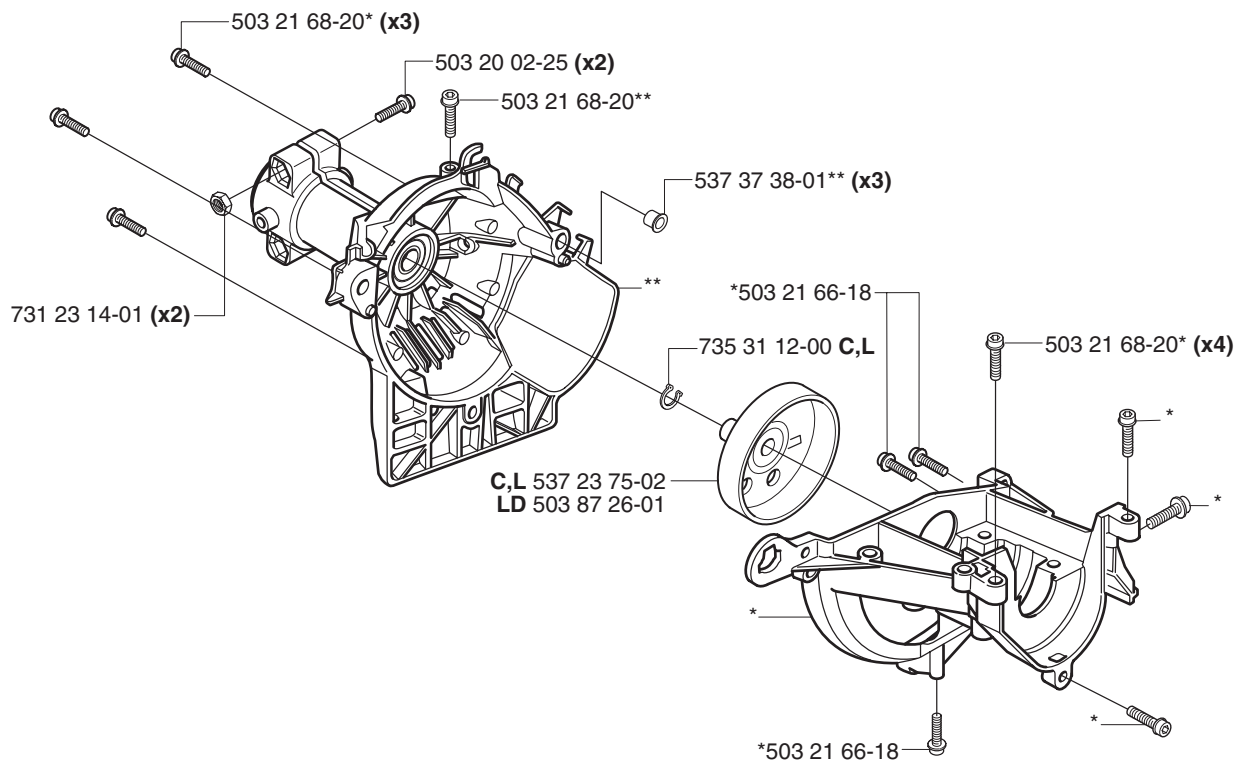
**compl 503 87 33-02
 *compl 503 85 28-01



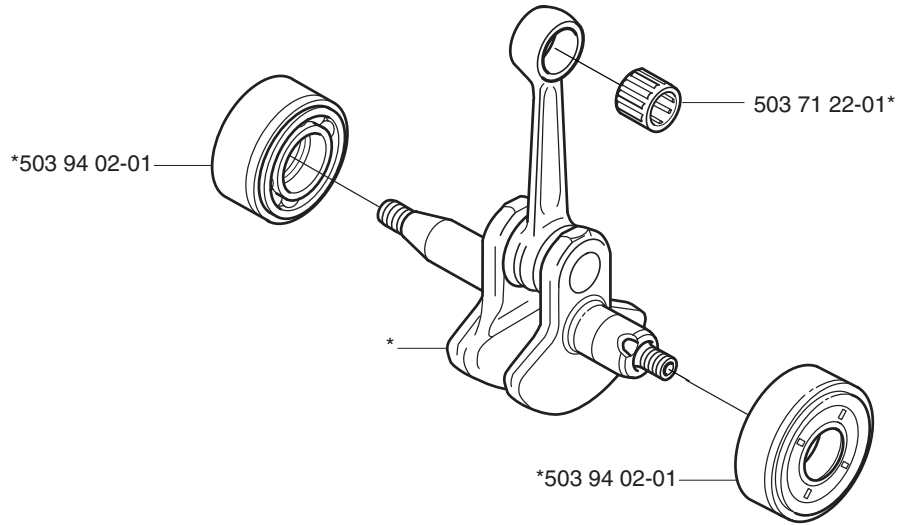
J***compl 537 06 86-04****K*****compl 503 97 75-01**

L

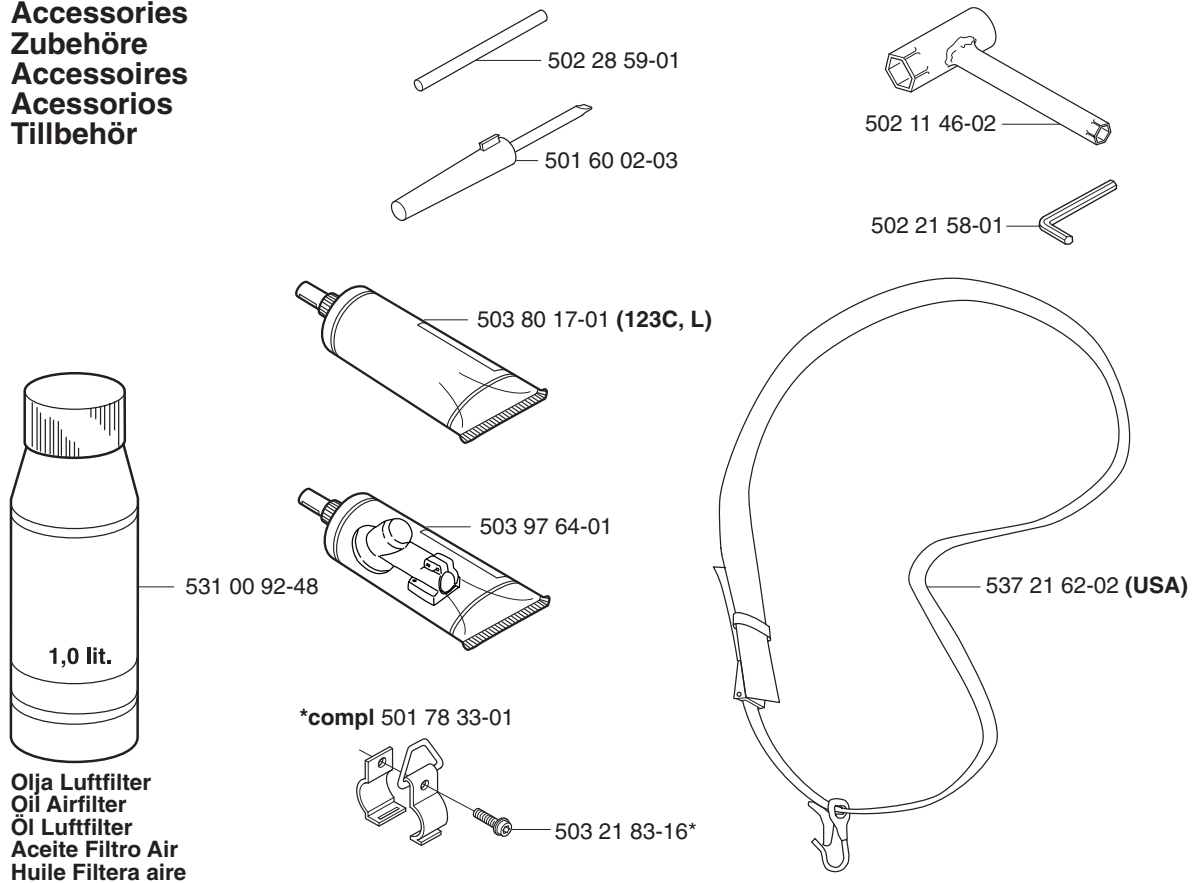
***compl 537 03 20-06

**M***compl 537 04 11-02
**compl 537 28 97-02

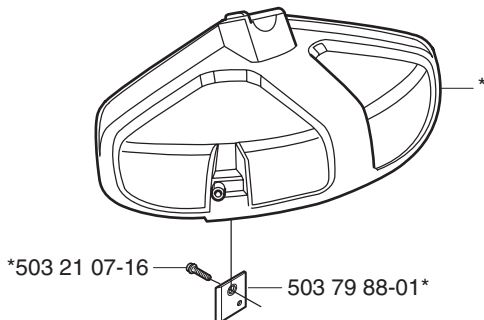
N *compl 503 85 24-75



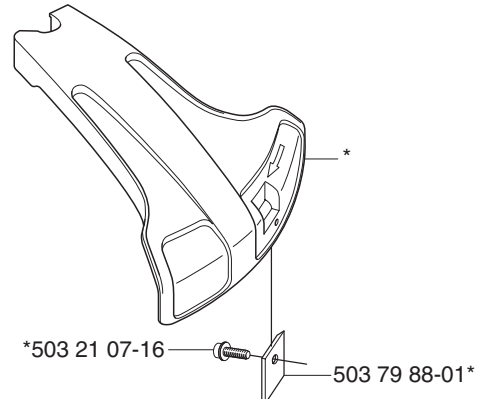
P Accessories
Zubehöre
Accessoires
Acessorios
Tillbehör

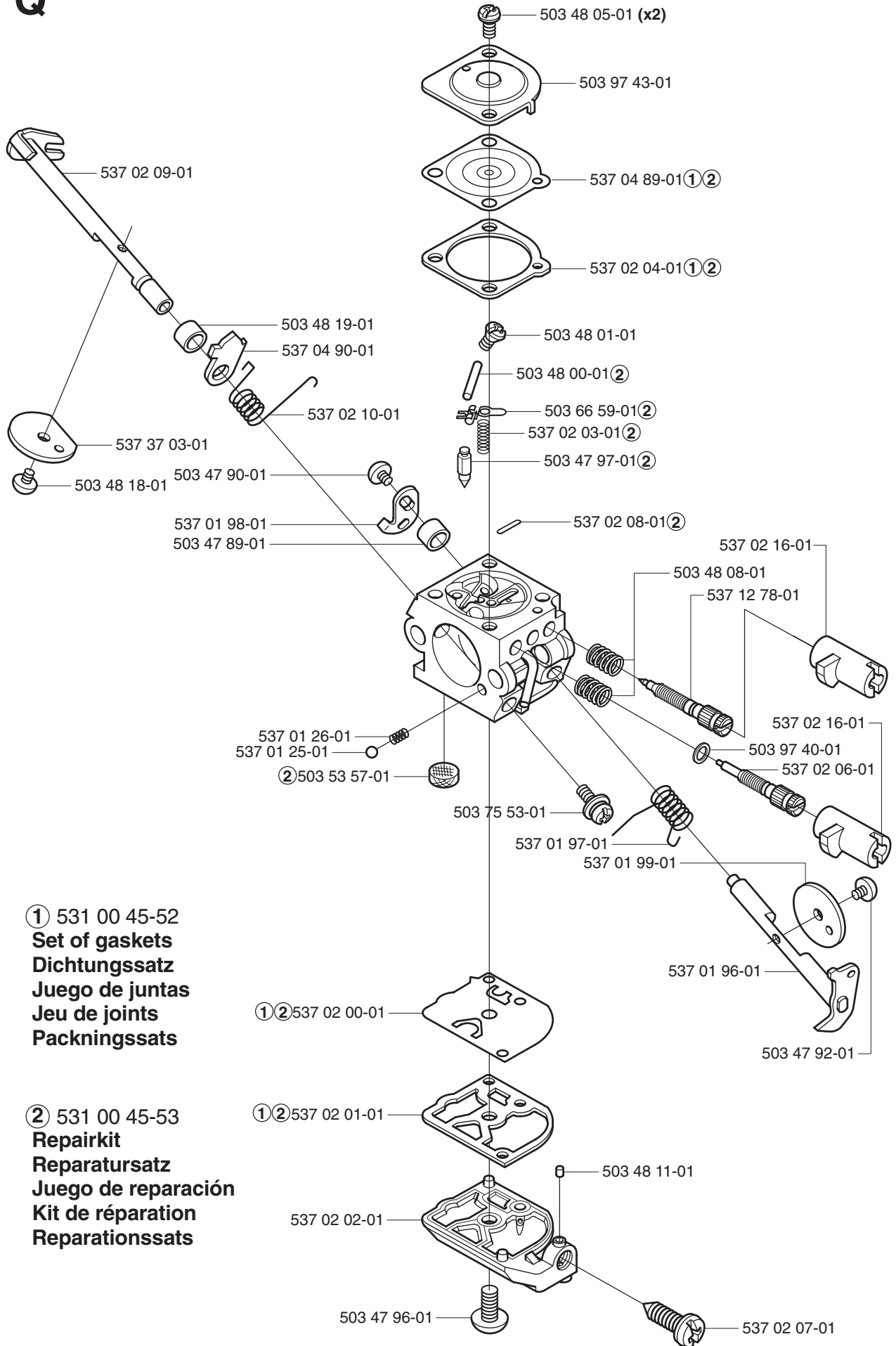


*compl 503 93 42-02
123L
123LD



*compl 537 18 96-01
123C





(1) 531 00 45-52
Set of gaskets
Dichtungssatz
Juego de juntas
Jeu de joints
Packningssats

(2) 531 00 45-53
Repairkit
Reparatursatz
Juego de reparación
Kit de réparation
Reparationsssats

(1) (2) 537 02 00-01

(1) (2) 537 02 01-01

PART NUMBER	SQUARE NOTE	PART NUMBER	SQUARE NOTE	PART NUMBER	SQUARE NOTE	PART NUMBER	SQUARE NOTE
501 60 02-03	P	503 87 26-01	DM	537 07 39-02	E		
501 78 33-01	P	503 87 33-02	H	537 07 68-02	C		
502 11 46-02	P	503 87 35-02	H	537 07 68-03	A		
502 20 38-01	D	503 87 36-01	H	537 08 27-01	D		
502 20 40-02	G	503 87 79-01	E	537 08 30-01	D		
502 20 65-03	G	503 87 80-01	E	537 12 78-01	Q		
502 21 58-01	P	503 87 85-01	E	537 18 49-01	J		
502 28 59-01	P	503 87 86-01	E	537 18 63-01	G		
503 20 02-10	D	503 88 79-01	G	537 18 96-01	P		
503 20 02-25	M	503 88 80-02	G	537 19 92-02	B		
503 20 03-25	G	503 89 03-01	G	537 21 45-01	A		
503 20 07-25	BD	503 91 09-01	G	537 21 49-01	C		
503 20 07-35	L	503 91 10-01	J	537 21 62-02	P		
503 20 14-12	B	503 91 18-02	J	537 23 49-01	B		
503 20 15-01	B	503 91 81-01	E	537 23 75-02	ACM		
503 20 29-50	L	503 93 42-02	P	537 23 96-01	K		
503 21 07-16	P	503 93 66-01	J	537 24 64-01	D		
503 21 66-18	EM	503 94 02-01	N	537 24 96-01	K		
503 21 68-20	FHM	503 94 26-01	G	537 28 56-01	B		
503 21 71-16	K	503 96 13-02	E	537 28 97-02	M		
503 21 75-16	G	503 96 14-01	E	537 29 26-01	B		
503 21 75-50	G	503 96 25-01	G	537 29 47-04	CD		
503 21 77-16	H	503 96 49-01	H	537 29 47-05	A		
503 21 83-16	P	503 97 40-01	Q	537 32 08-02	F		
503 21 98-35	AC	503 97 43-01	Q	537 33 56-02	L		
503 22 26-01	AC	503 97 64-01	P	537 34 25-01	B		
503 22 65-04	G	503 97 75-01	K	537 35 17-01	C		
503 23 51-08	K	503 98 54-01	D	537 35 33-01	F		
503 23 51-11	K	503 99 55-01	E	537 35 33-02	F		
503 25 24-01	B	503 99 56-01	E	537 35 33-03	F		
503 28 34-01	GQ	530 03 85-99	A	537 35 34-01	H		
503 28 90-41	L	530 05 38-00	A	537 35 34-02	H		
503 44 32-01	J	530 09 45-43	A	537 35 34-03	H		
503 47 89-01	Q	531 00 45-52	Q	537 37 03-01	Q		
503 47 90-01	Q	531 00 45-53	Q	537 37 38-01	M		
503 47 92-01	Q	531 00 92-48	P	725 23 70-51	A		
503 47 96-01	Q	537 00 84-01	H	725 23 79-51	D		
503 47 97-01	Q	537 01 13-01	E	731 23 14-01	GM		
503 48 00-01	Q	537 01 16-01	D	731 71 16-51	HK		
503 48 01-01	Q	537 01 19-01	D	735 31 08-20	H		
503 48 05-01	Q	537 01 25-01	Q	735 31 11-00	B		
503 48 08-01	Q	537 01 26-01	Q	735 31 12-00	ACM		
503 48 11-01	Q	537 01 41-01	L	735 31 25-10	B		
503 48 18-01	Q	537 01 96-01	Q	735 31 28-10	B		
503 48 19-01	Q	537 01 97-01	Q	735 58 08-10	D		
503 49 71-01	G	537 01 98-01	Q	737 44 08-00	L		
503 53 57-01	Q	537 01 99-01	Q	738 21 98-00	B		
503 57 76-01	J	537 02 00-01	Q	738 21 99-00	B		
503 66 59-01	Q	537 02 01-01	Q	738 21 99-02	B		
503 70 80-04	D	537 02 02-01	Q	740 42 06-00	E		
503 71 22-01	LN	537 02 03-01	Q				
503 71 54-01	D	537 02 04-01	Q				
503 71 82-01	E	537 02 06-01	Q				
503 73 58-01	J	537 02 07-01	Q				
503 75 53-01	Q	537 02 08-01	Q				
503 78 52-01	D	537 02 09-01	Q				
503 79 56-01	ACD	537 02 10-01	Q				
503 79 88-01	P	537 02 16-01	Q				
503 80 17-01	P	537 03 20-06	L				
503 81 60-01	K	537 03 22-01	K				
503 84 28-01	K	537 03 94-03	L				
503 84 29-02	K	537 04 11-02	M				
503 85 24-75	N	537 04 24-01	J				
503 85 28-01	H	537 04 25-01	C				
503 85 29-02	E	537 04 67-01	K				
503 85 63-01	B	537 04 68-01	K				
503 85 87-01	H	537 04 89-01	Q				
503 85 89-01	H	537 04 90-01	Q				
503 87 17-01	L	537 06 86-04	J				
503 87 18-01	F	537 07 37-01	A				

Set of gaskets, Dichtungssats,
Jeu de joints, Juego de juntas,
Packningsatts

N = New part, Neues teil,
Nouvelle piece, Nueva pieza
Ny detalj