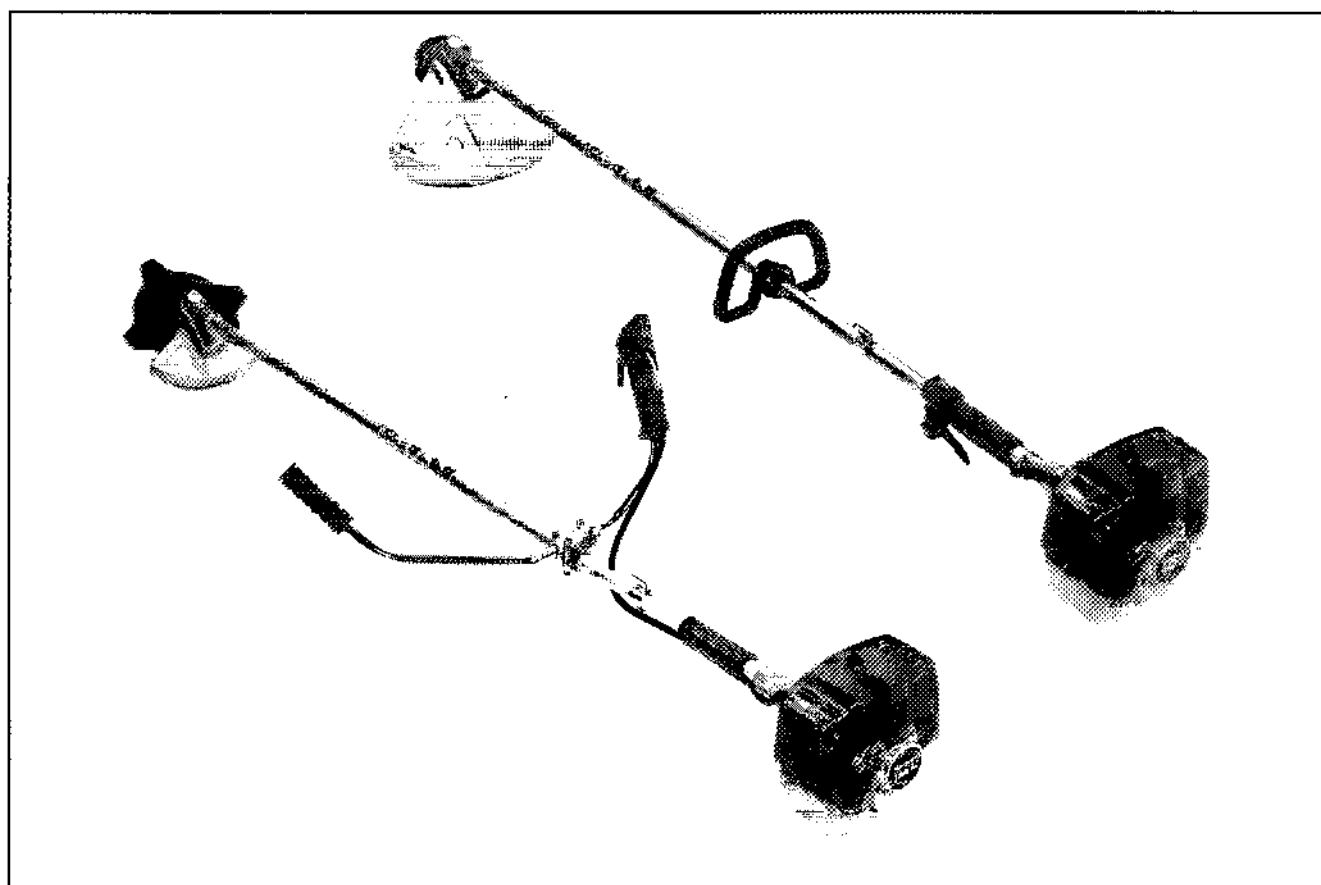


125/132 L/LD/R/RD



1.1992

Spare parts

Ersatzteile

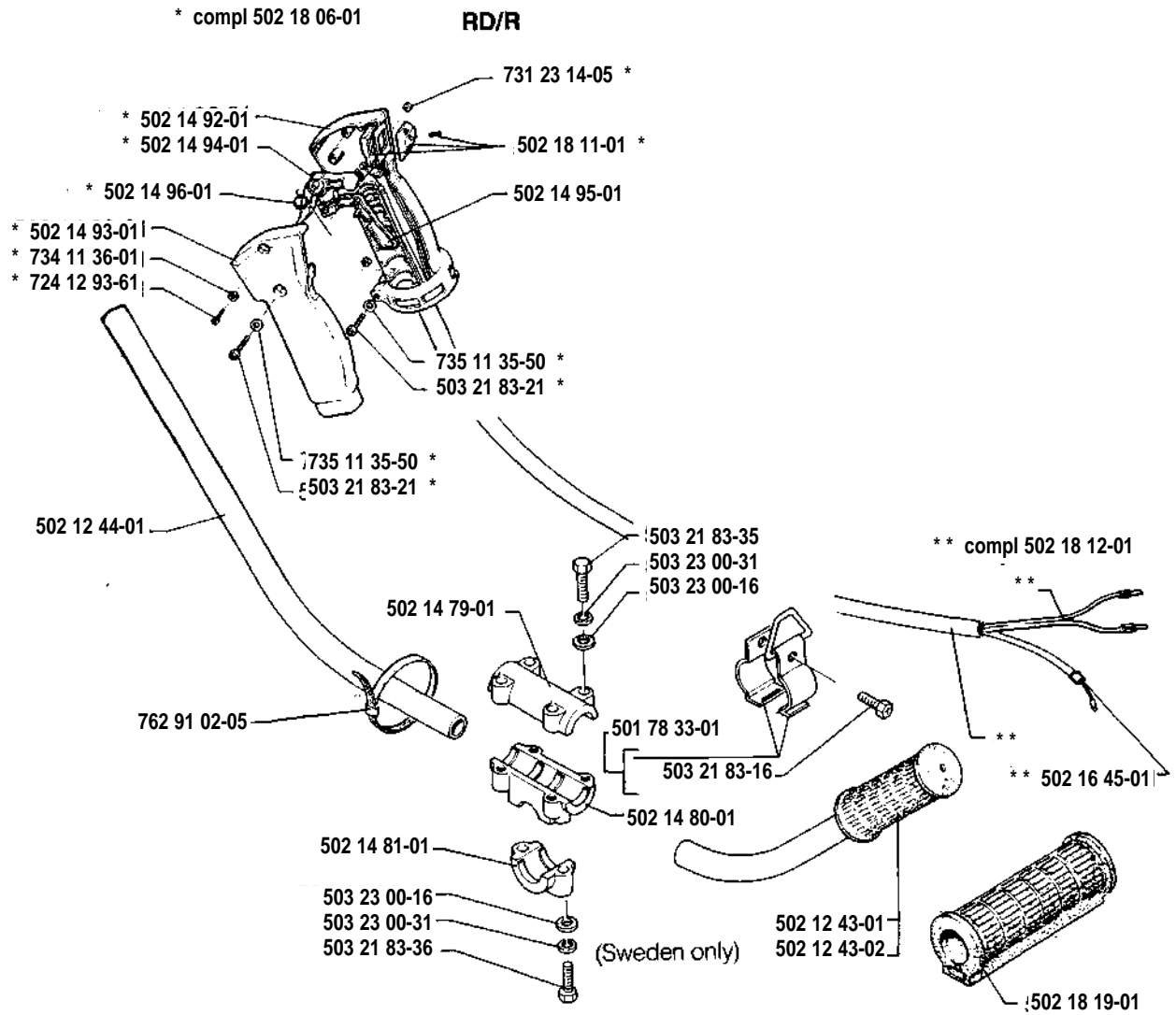
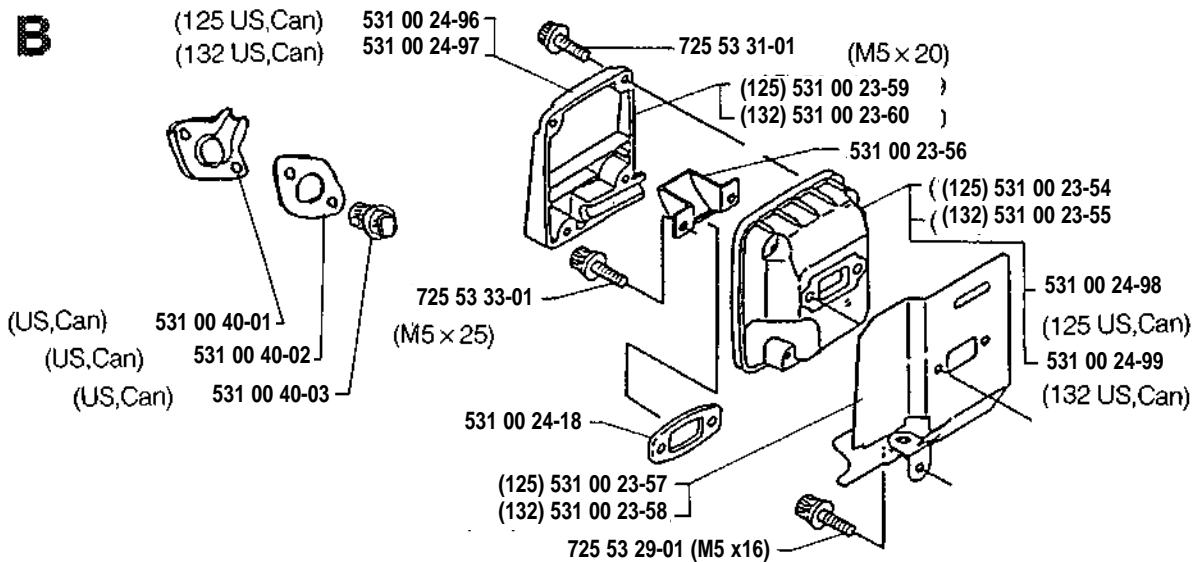
Pièces détachées

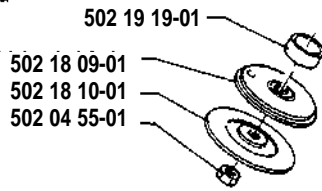
Repuestos

Reservdelar

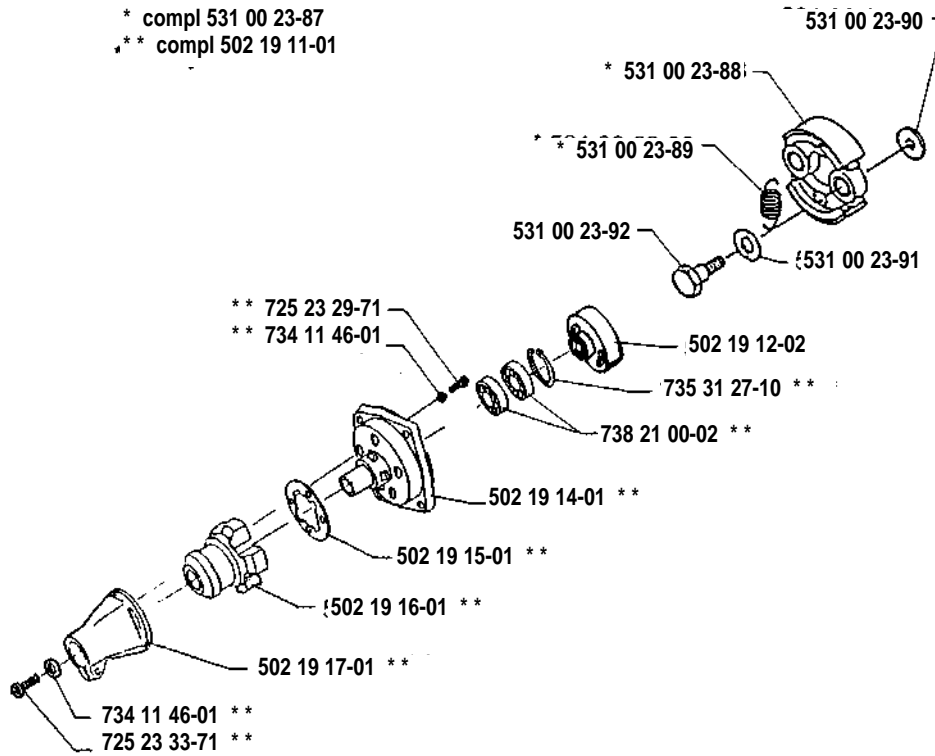
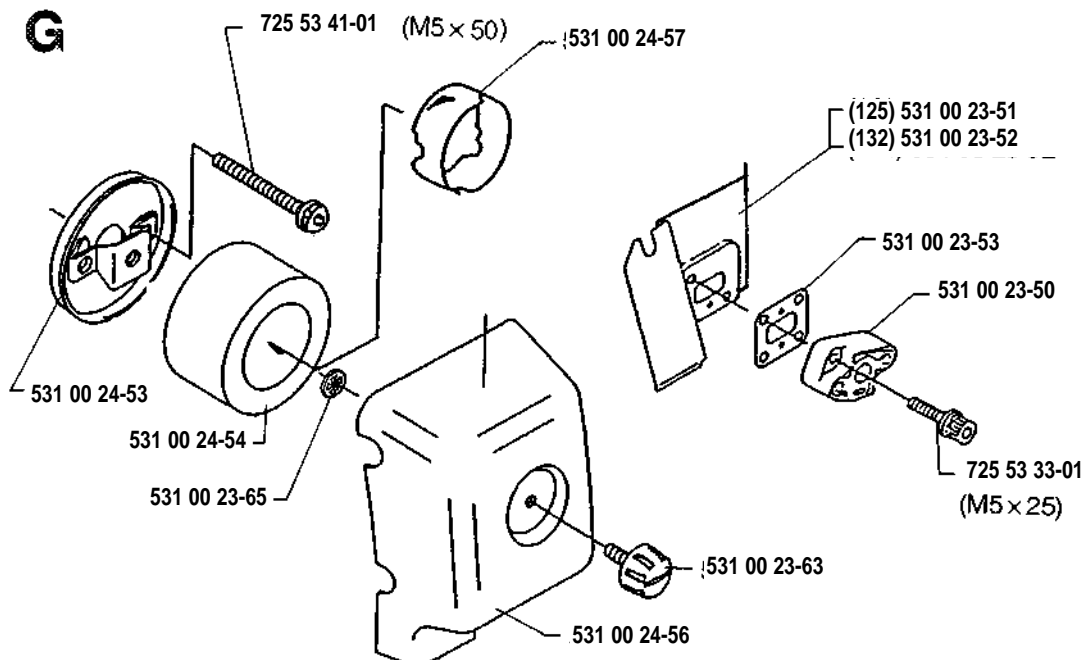
MODEL NUMBER 125R32

PARTNUMBER	SQUARE	NOTE	PARTNUMBER	SQUARE	NOTE	PARTNUMBER	SQUARE	NOTE	PARTNUMBER	SQUARE	NOTE
501 31 40-01	R		531 00 23-58	B		531 00 24-29	P		731 23 14-05	O	
501 78 33-01	A,O		531 00 23-59	B		531 00 24-30	P		734 11 36-01	A	
501 78 40-01	R		531 00 23-60	B		531 00 24-31	P		734 11 46-01	H	
501 95 49-01	R		531 00 23-61	D		531 00 24-32	P		735 11 35-50	A,S	
502 02 61-01	R		531 00 23-62	D		531 00 24-33	P		735 31 11-41	S	
502 04 55-01	T		531 00 23-63	D,G		531 00 24-34	P		735 31 25-10	S	
502 12 43-01	A		531 00 23-64	D		531 00 24-35	P		735 31 27-10	H	
502 12 43-02	A		531 00 23-65	D,G		531 00 24-36	P		735 31 31-10	S	
502 12 44-01	A		531 00 23-66	K		531 00 24-37	P		738 21 00-02	H	
502 14 65-01	O		531 00 23-67	K		531 00 24-38	P		738 21 02-04	S	
502 14 69-01	S		531 00 23-68	F		531 00 24-39	P		738 21 98-00	S	
502 14 71-01	S		531 00 23-69	F		531 00 24-40	P		738 21 99-00	S	
502 14 74-01	S		531 00 23-70	K		531 00 24-41	P		738 21 99-01	S	
502 14 79-01	A		531 00 23-71	K		531 00 24-42	P		762 91 02-05	A	
502 14 80-01	A		531 00 23-72	K		531 00 24-43	P				
502 14 81-01	A		531 00 23-73	K		531 00 24-44	P				
502 14 92-01	A		531 00 23-74	K		531 00 24-45	P				
502 14 93-01	A		531 00 23-75	C		531 00 24-46	P				
502 14 94-01	A		531 00 23-76	C		531 00 24-47	P				
502 14 96-01	A		531 00 23-77	C		531 00 24-48	P				
502 16 45-01	A		531 00 23-78	C		531 00 24-49	P				
502 18 05-01	M		531 00 23-79	C		531 00 24-50	P				
502 18 06-01	A		531 00 23-80	C		531 00 24-51	P				
502 18 08-01	S		531 00 23-81	F		531 00 24-52	P				
502 18 09-01	T		531 00 23-82	F		531 00 24-53	G				
502 18 10-01	T		531 00 23-83	C		531 00 24-54	G				
502 18 12-01	A		531 00 23-84	C		531 00 24-56	G				
502 18 14-01	O		531 00 23-85	F		531 00 24-57	G				
502 18 15-01	O		531 00 23-86	F		531 00 24-58	L				
502 18 16-01	O		531 00 23-87	H		531 00 24-59	L				
502 18 17-01	O		531 00 23-88	H		531 00 24-60	L				
502 18 18-01	O		531 00 23-89	H		531 00 24-61	L				
502 18 19-01	A,O		531 00 23-90	H		531 00 24-62	L				
502 18 88-01	O		531 00 23-91	H		531 00 24-63	L				
502 19 10-02	M		531 00 23-92	H		531 00 24-64	L				
502 19 11-01	H		531 00 23-93	K		531 00 24-65	L				
502 19 12-02	H		531 00 23-94	E		531 00 24-67	M				
502 19 14-01	H		531 00 23-95	E		531 00 24-68	R				
502 19 15-01	H		531 00 23-96	E		531 00 24-93	L				
502 19 16-01	H		531 00 23-97	E		531 00 24-94	D				
502 19 17-01	H		531 00 23-98	E		531 00 24-95	D				
502 19 19-01	T		531 00 23-99	E		531 00 24-96	B				
502 19 30-01	R		531 00 24-01	E		531 00 24-97	B				
502 19 47-01	Q		531 00 24-02	F		531 00 24-98	B				
502 19 48-01	Q		531 00 24-03	E		531 00 24-99	B				
502 19 49-01	Q		531 00 24-04	E		531 00 40-01	B				
502 19 50-01	Q		531 00 24-05	E		531 00 40-02	B				
503 20 00-03	S		531 00 24-06	K		531 00 40-03	B				
503 21 83-16	A,O		531 00 24-07	J		531 00 40-04	R				
503 21 83-21	A		531 00 24-08	J		531 00 40-05	R				
503 21 83-22	O		531 00 24-09	J		531 00 40-06	R				
503 21 83-35	A		531 00 24-10	J		531 00 40-07	R				
503 21 83-36	A		531 00 24-11	J		531 00 40-09	N				
503 21 83-41	S		531 00 24-12	J		531 00 40-22	U				
503 23 00-16	A		531 00 24-13	J		531 00 40-23	N				
503 23 00-31	A		531 00 24-14	J		531 00 40-24	N				
531 00 23-44	R		531 00 24-15	J		531 00 40-25	N				
531 00 23-45	R		531 00 24-16	J		531 00 40-26	S				
531 00 23-46	C		531 00 24-17	J		724 12 93-61	A				
531 00 23-47	C		531 00 24-18	B		724 13 27-01	L				
531 00 23-48	C		531 00 24-19	P		725 23 29-71	H				
531 00 23-49	C		531 00 24-20	P		725 23 33-51	Q,S				
531 00 23-50	G		531 00 24-21	P		725 23 33-71	H				
531 00 23-51	G		531 00 24-22	P		725 52 93-01	L				
531 00 23-52	G		531 00 24-23	P		725 52 97-01	E				
531 00 23-53	C,G		531 00 24-24	P		725 53 29-01	B				
531 00 23-54	B		531 00 24-25	P		725 53 31-01	B,C,K				
531 00 23-55	B		531 00 24-26	P		725 53 33-01	B,G				
531 00 23-56	B		531 00 24-27	P		725 53 35-01	K				
531 00 23-57	B		531 00 24-28	P		725 53 41-01	G				

A**B**

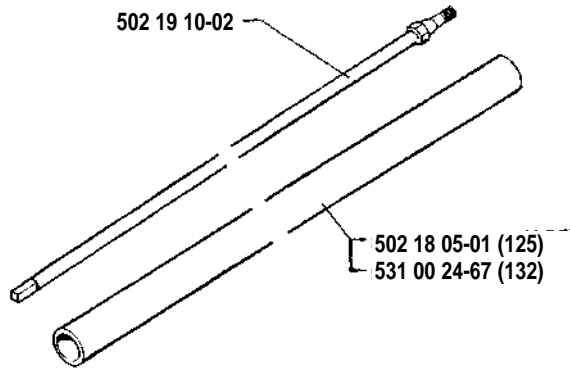
T**R/RD/RJ/RJD****U****L/LD****H**

* compl 531 00 23-87
** compl 502 19 11-01

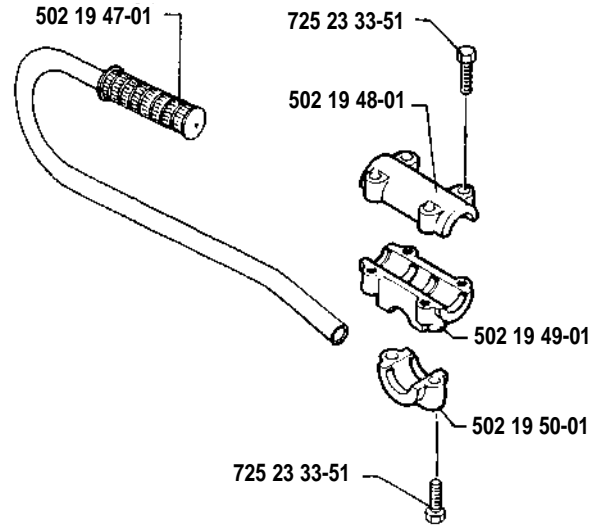
**G**

M

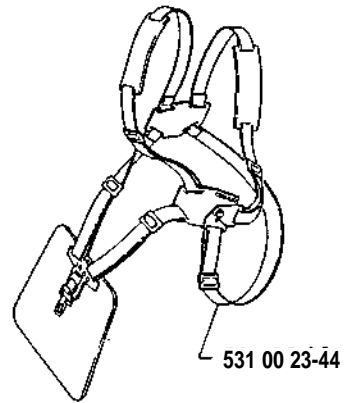
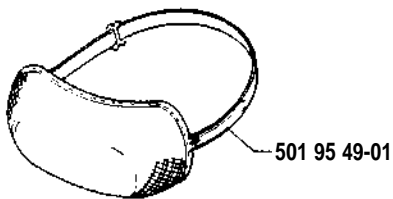
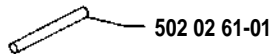
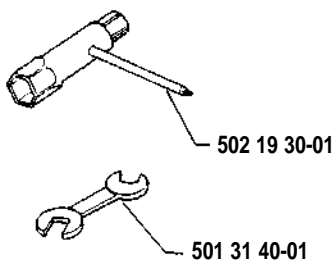
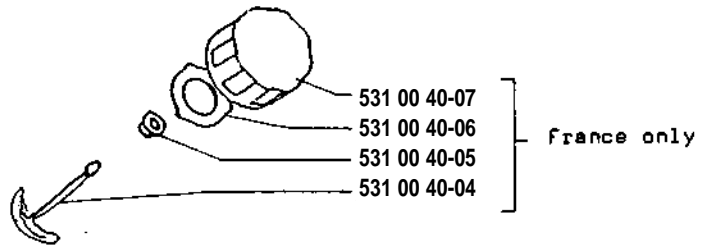
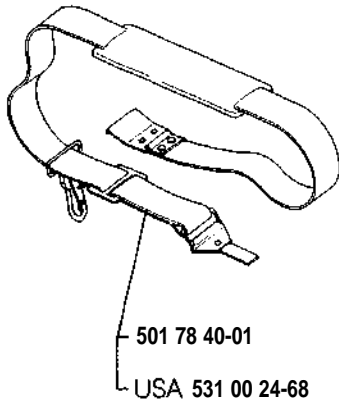
R/L



Q

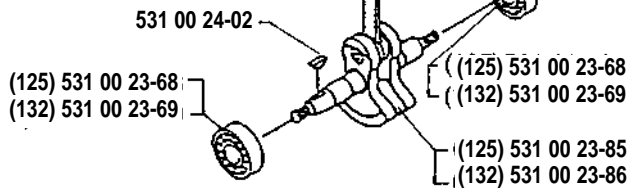


R



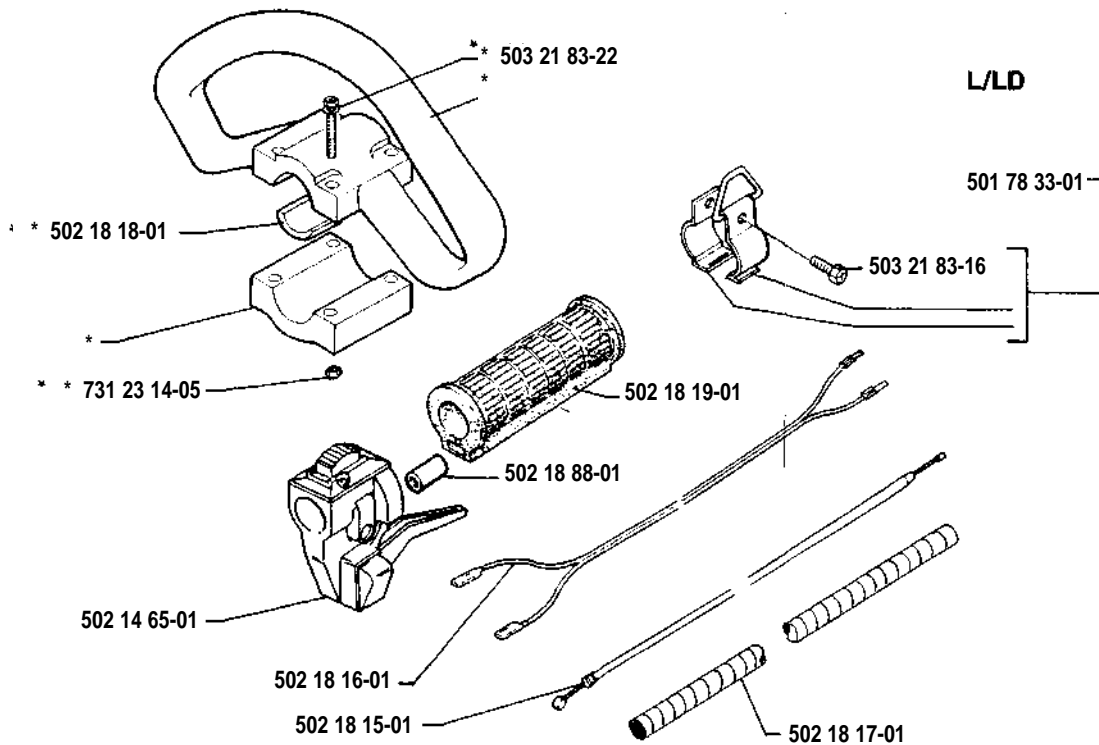
F

(125) 531 00 23-81
(132) 531 00 23-82



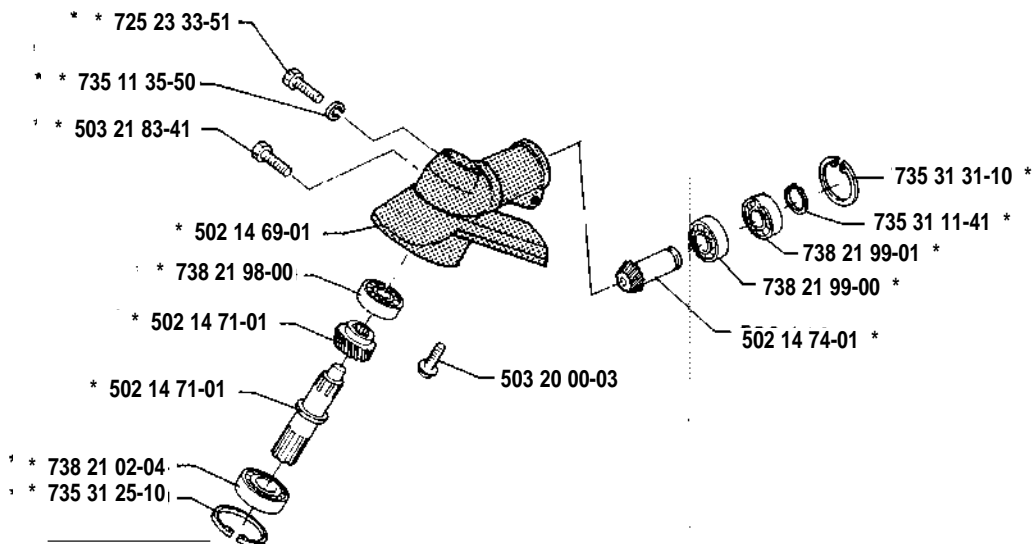
O

* compl 502 18 14-01



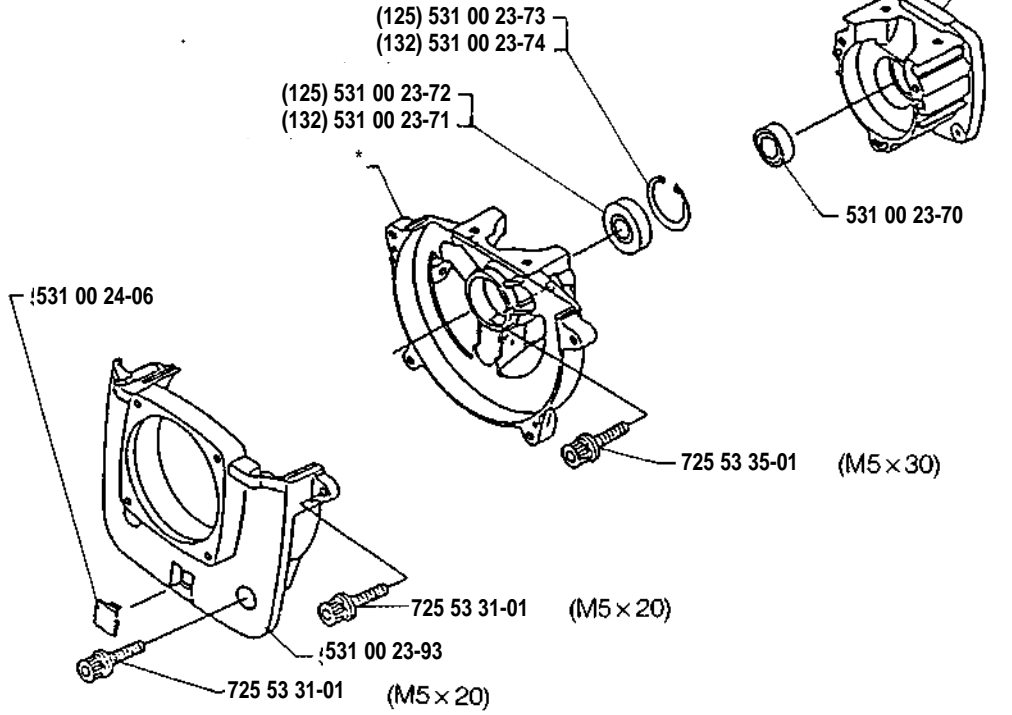
S

* compl 531 00 40-26

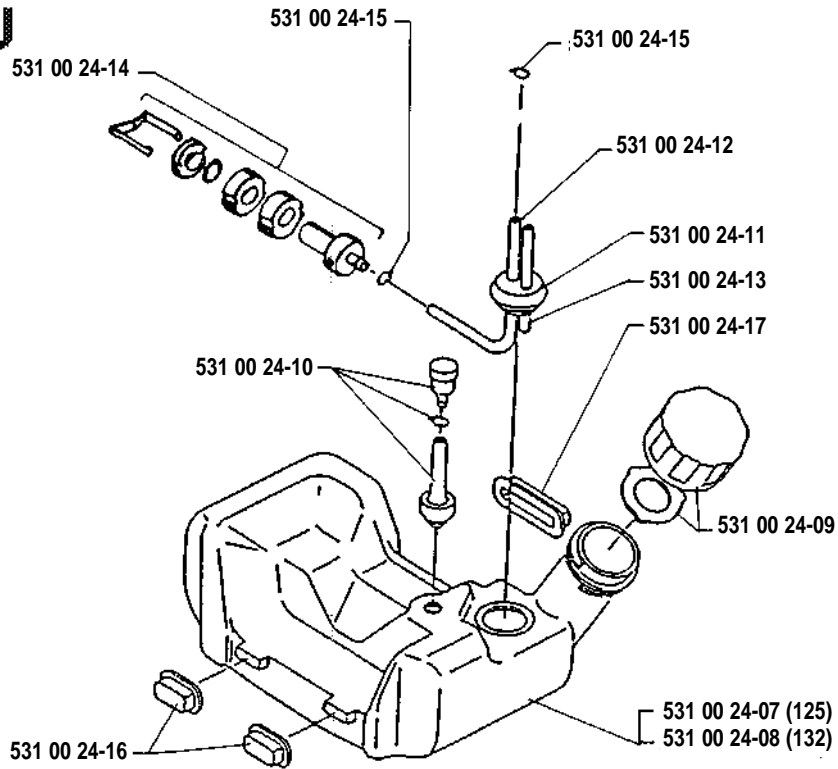


K

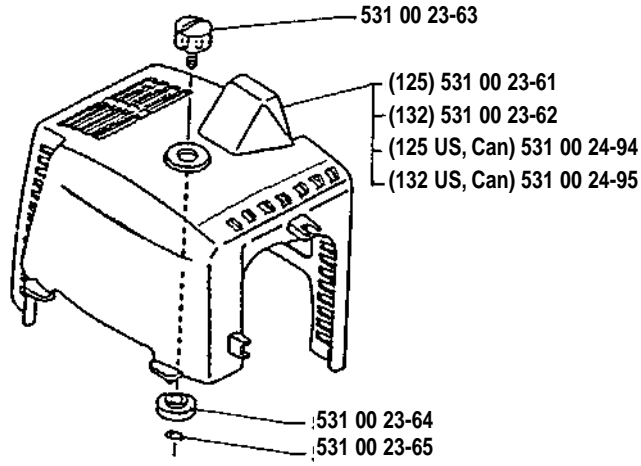
- * compl 531 00 23-67 (132)
- * compl 531 00 23-66 (125)



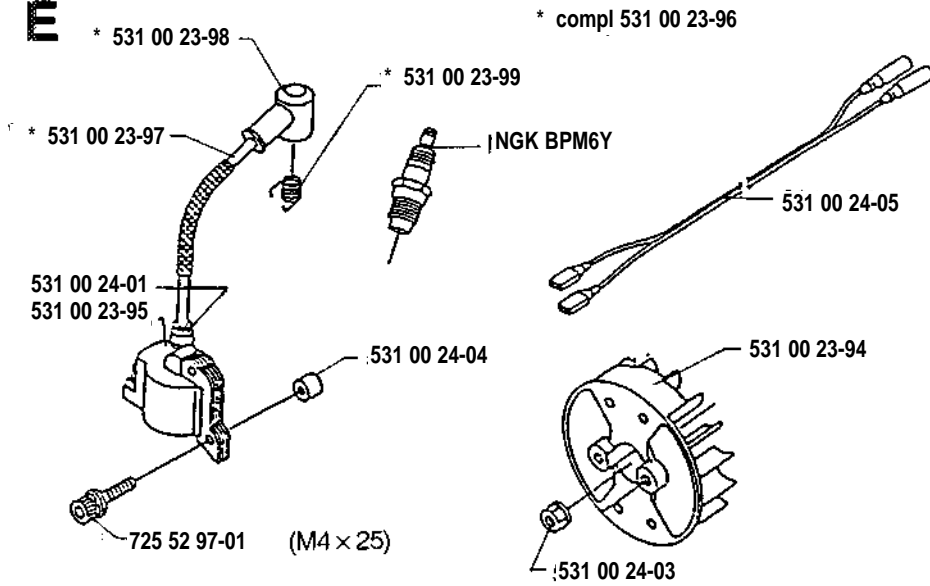
J



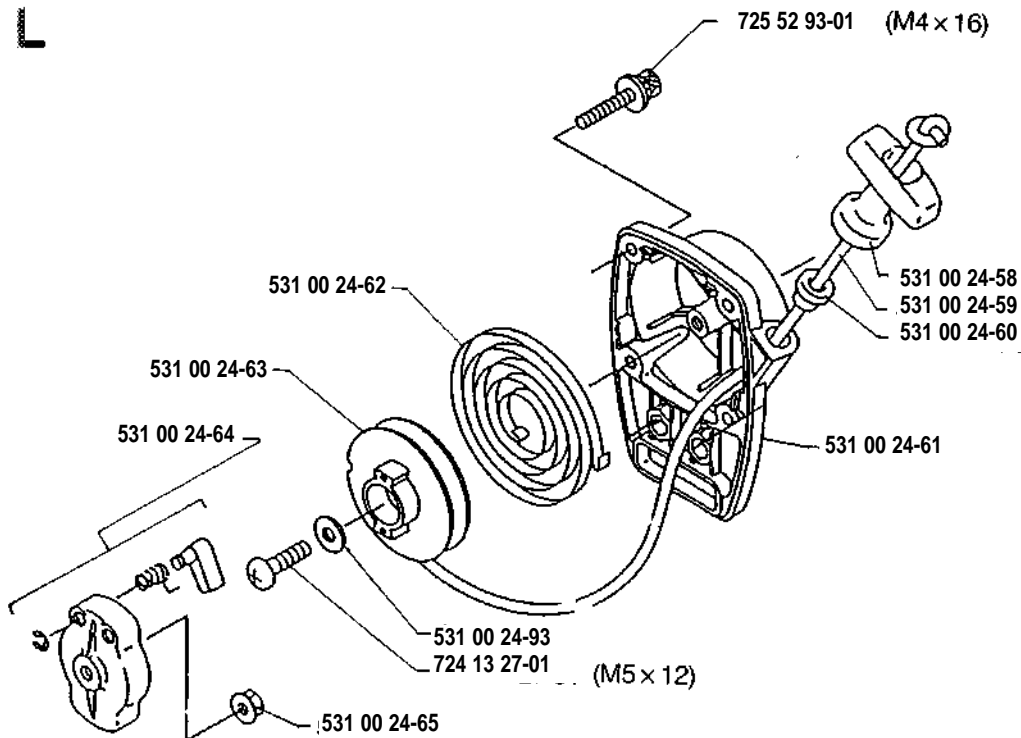
D



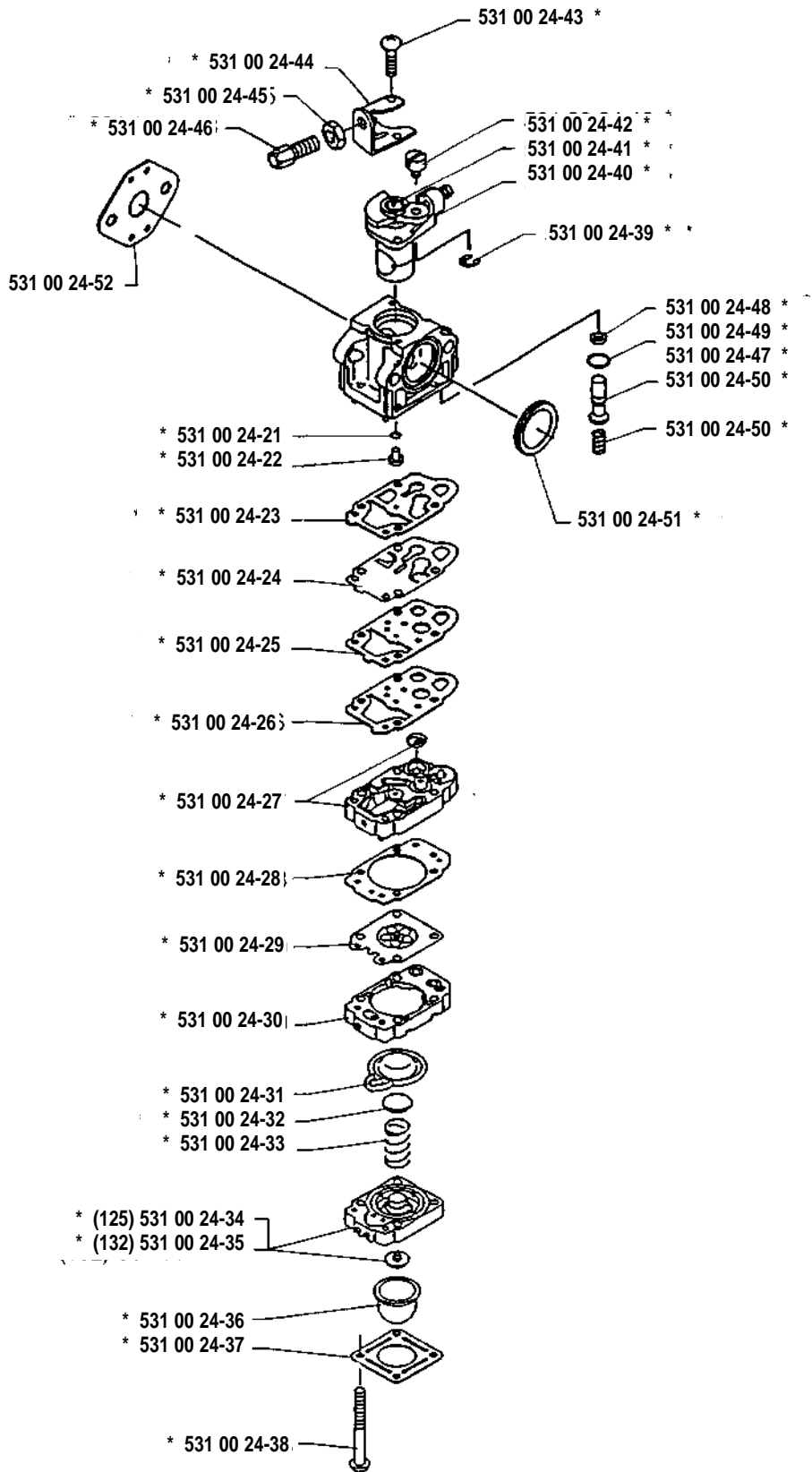
E



L



* compl 531 00 24-20 (132)
* compl 531 00 24-19 (125)



N

