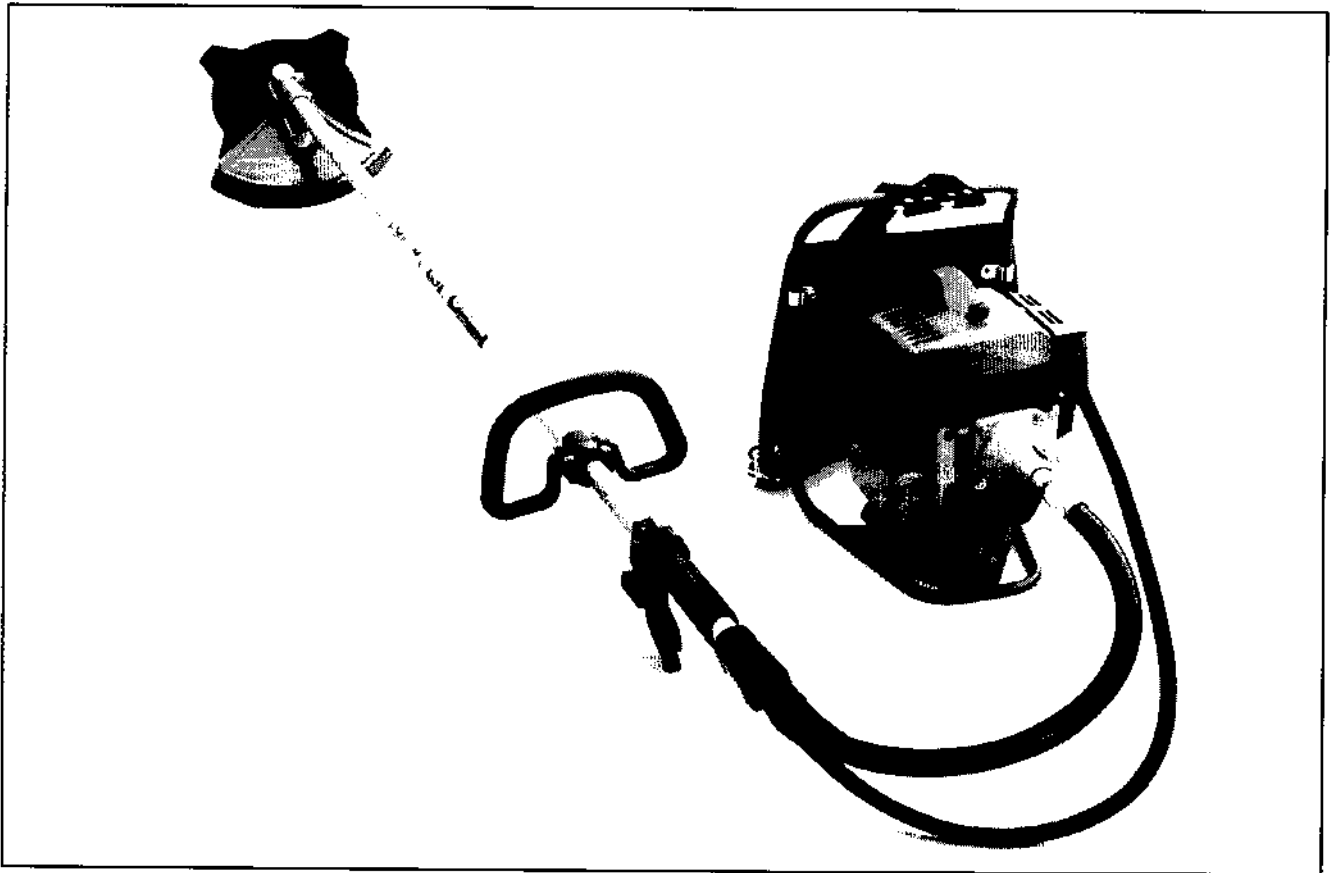


125/132RB



1.1993

Spare parts

Ersatzteile

Pièces détachées

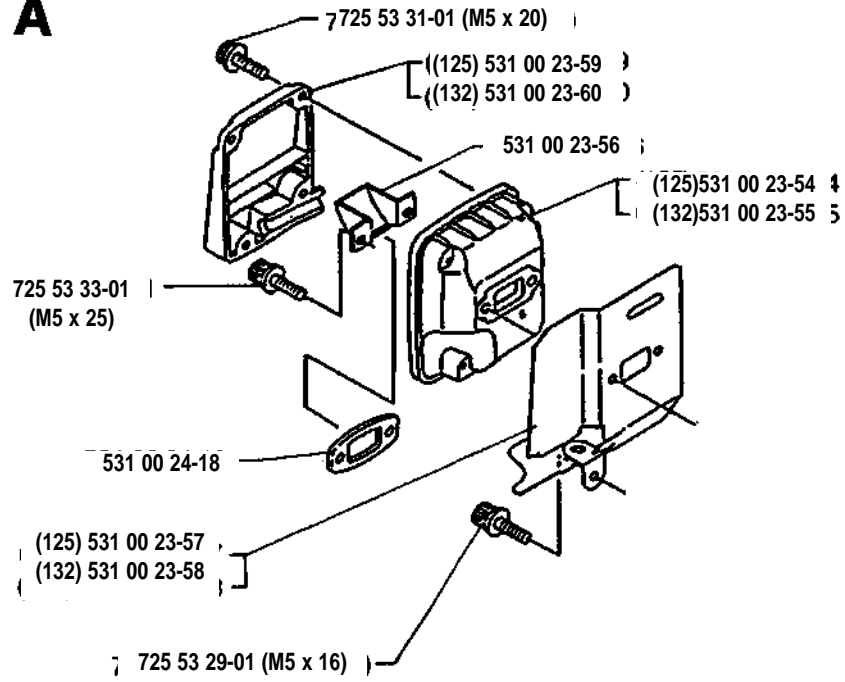
Repuestos

Reservdelar

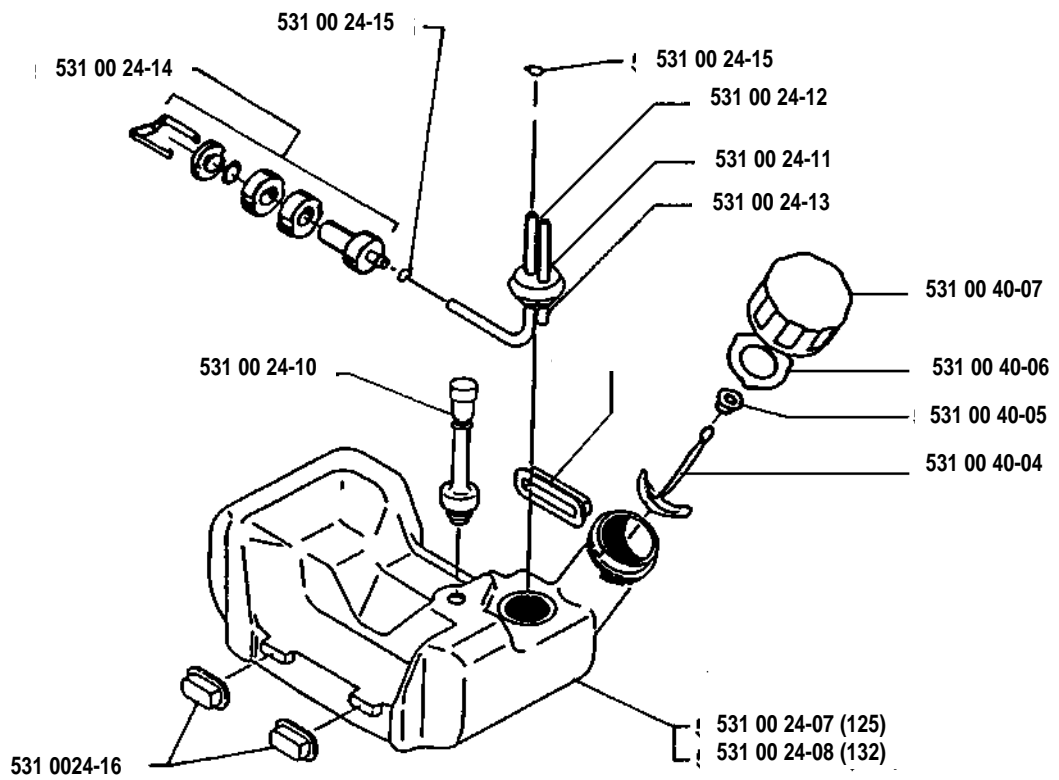
MODEL NUMBER 125832

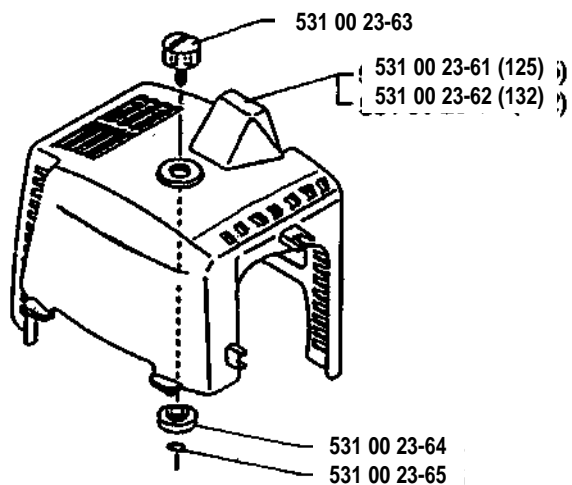
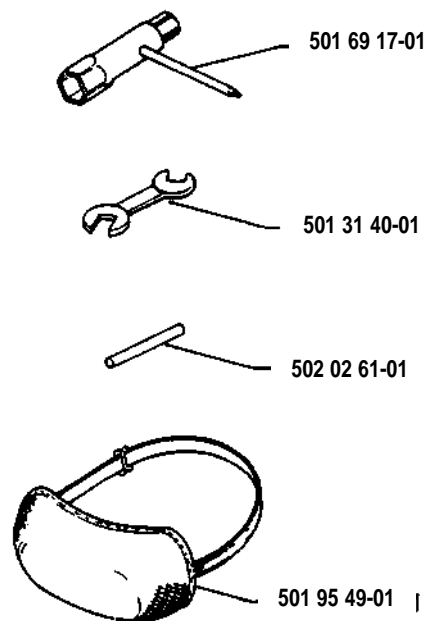
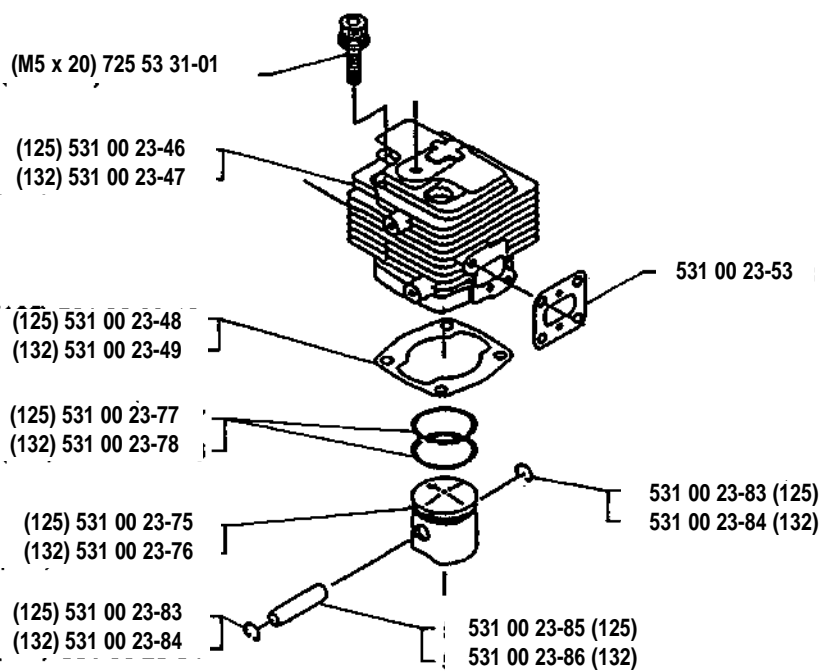
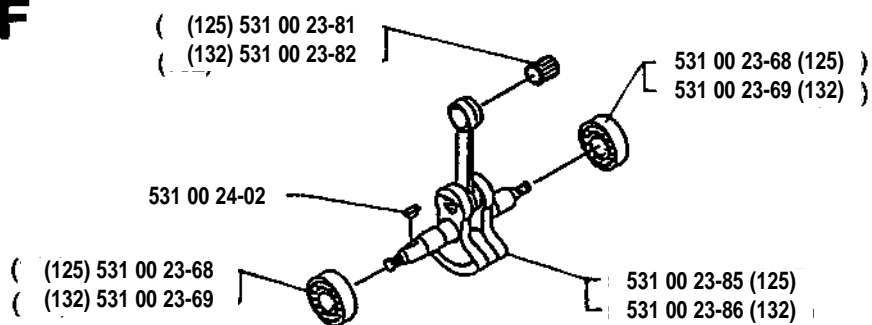
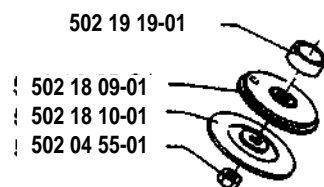
| PARTNUMBER | SQUARE | NOTE | PARTNUMBER | SQUARE | NOTE | PARTNUMBER | SQUARE | NOTE | PARTNUMBER | SQUARE | NOTE |
|--------------|--------|------|--------------|--------|------|--------------|--------|------|------------|--------|------|
| 501 31 40-01 | P | | 531 00 23-92 | K | | 531 00 24-79 | K | | | | |
| 501 69 17-01 | P | | 531 00 23-93 | H | | 531 00 24-80 | K | | | | |
| 501 95 49-01 | P | | 531 00 23-94 | E | | 531 00 24-81 | K | | | | |
| 502 02 61-01 | P | | 531 00 23-95 | E | | 531 00 24-83 | K | | | | |
| 502 04 55-01 | T | | 531 00 23-96 | E | | 531 00 24-84 | K | | | | |
| 502 14 69-01 | O | | 531 00 23-97 | E | | 531 00 24-85 | K | | | | |
| 502 14 71-01 | O | | 531 00 23-98 | E | | 531 00 24-86 | K | | | | |
| 502 14 74-01 | O | | 531 00 23-99 | E | | 531 00 24-87 | K | | | | |
| 502 18 08-01 | O | | 531 00 24-01 | E | | 531 00 24-89 | K | | | | |
| 502 18 09-01 | T | | 531 00 24-02 | F | | 531 00 24-92 | N | | | | |
| | | | | | | | | | | | |
| 502 18 10-01 | T | | 531 00 24-03 | E | | 531 00 24-93 | J | | | | |
| 502 18 14-01 | M | | 531 00 24-04 | E | | 531 00 40-04 | G | N | | | |
| 502 18 18-01 | M | | 531 00 24-05 | E | | 531 00 40-05 | G | N | | | |
| 502 19 19-01 | T | | 531 00 24-07 | G | | 531 00 40-06 | G | N | | | |
| 503 20 00-03 | O | | 531 00 24-08 | G | | 531 00 40-07 | G | N | | | |
| 503 21 83-22 | N | | 531 00 24-10 | G | | 531 00 40-26 | S | | | | |
| 503 21 83-41 | O | | 531 00 24-11 | G | | 531 00 40-27 | K | | | | |
| 531 00 22-14 | L | | 531 00 24-12 | G | | 531 00 40-28 | K | | | | |
| 531 00 22-15 | L | | 531 00 24-13 | G | | 531 00 40-29 | L | | | | |
| 531 00 22-18 | L | | 531 00 24-14 | G | | 531 00 40-55 | N | N | | | |
| | | | | | | | | | | | |
| 531 00 22-21 | L | | 531 00 24-15 | G | | 531 00 41-52 | J | N | | | |
| 531 00 22-22 | L | | 531 00 24-16 | G | | 531 00 41-53 | J | N | | | |
| 531 00 22-28 | K | | 531 00 24-17 | G | | 531 00 41-54 | J | N | | | |
| 531 00 22-35 | K | | 531 00 24-18 | A | | 531 00 41-55 | M | N | | | |
| 531 00 23-46 | C | | 531 00 24-19 | M | | 531 00 41-56 | M | N | | | |
| 531 00 23-47 | C | | 531 00 24-20 | M | | 531 00 41-57 | K | N | | | |
| 531 00 23-48 | C | | 531 00 24-21 | M | | 531 00 41-58 | K | N | | | |
| 531 00 23-49 | C | | 531 00 24-22 | M | | 531 00 41-59 | N | N | | | |
| 531 00 23-50 | D | | 531 00 24-23 | M | | 531 00 41-60 | N | N | | | |
| 531 00 23-51 | D | | 531 00 24-24 | M | | 531 00 41-61 | N | N | | | |
| | | | | | | | | | | | |
| 531 00 23-52 | D | | 531 00 24-28 | M | | 724 13 27-01 | J | | | | |
| 531 00 23-53 | C,D | | 531 00 24-29 | M | | 725 23 25-71 | L | | | | |
| 531 00 23-54 | A | | 531 00 24-30 | M | | 725 23 27-71 | L | | | | |
| 531 00 23-55 | A | | 531 00 24-31 | M | | 725 23 33-51 | O | | | | |
| 531 00 23-56 | A | | 531 00 24-32 | M | | 725 52 93-01 | J | | | | |
| 531 00 23-57 | A | | 531 00 24-33 | M | | 725 52 97-01 | E | | | | |
| 531 00 23-58 | A | | 531 00 24-34 | M | | 725 53 29-01 | A,J | | | | |
| 531 00 23-59 | A | | 531 00 24-35 | M | | 725 53 31-01 | A,C,H | | | | |
| 531 00 23-60 | A | | 531 00 24-36 | M | | 725 53 33-01 | A,D | | | | |
| 531 00 23-61 | B | | 531 00 24-37 | M | | 725 53 35-01 | H | | | | |
| | | | | | | | | | | | |
| 531 00 23-62 | B | | 531 00 24-38 | M | | 725 53 39-01 | H | | | | |
| 531 00 23-63 | B,D | | 531 00 24-39 | M | | 725 53 41-01 | D | | | | |
| 531 00 23-64 | B | | 531 00 24-40 | M | | 731 23 14-05 | N | | | | |
| 531 00 23-65 | B | | 531 00 24-41 | M | | 731 71 14-51 | L | | | | |
| 531 00 23-66 | H | | 531 00 24-42 | M | | 734 11 52-71 | L | | | | |
| 531 00 23-67 | H | | 531 00 24-43 | M | | 734 41 52-71 | L | | | | |
| 531 00 23-68 | F | | 531 00 24-44 | M | | 735 11 46-01 | L | | | | |
| 531 00 23-69 | F | | 531 00 24-45 | M | | 735 11 53-50 | O | | | | |
| 531 00 23-70 | H | | 531 00 24-46 | M | | 735 31 11-41 | O | | | | |
| 531 00 23-71 | H | | 531 00 24-47 | M | | 735 31 25-10 | O | | | | |
| | | | | | | | | | | | |
| 531 00 23-72 | H | | 531 00 24-49 | M | | 735 31 31-10 | O | | | | |
| 531 00 23-73 | H | | 531 00 24-50 | M | | 738 21 02-04 | O | | | | |
| 531 00 23-74 | H | | 531 00 24-51 | M | | 738 21 98-00 | O | | | | |
| 531 00 23-75 | C | | 531 00 24-52 | M | | 738 21 99-00 | O | | | | |
| 531 00 23-76 | C | | 531 00 24-53 | D | | 738 21 99-01 | O | | | | |
| 531 00 23-77 | C | | 531 00 24-54 | D | | 762 91 02-05 | K | | | | |
| 531 00 23-78 | C | | 531 00 24-56 | D | | | | | | | |
| 531 00 23-79 | C | | 531 00 24-57 | D | | | | | | | |
| 531 00 23-80 | C | | 531 00 24-58 | J | | | | | | | |
| 531 00 23-81 | F | | 531 00 24-59 | J | | | | | | | |
| | | | | | | | | | | | |
| 531 00 23-82 | F | | 531 00 24-62 | J | | | | | | | |
| 531 00 23-83 | C | | 531 00 24-63 | J | | | | | | | |
| 531 00 23-84 | C | | 531 00 24-71 | L | | | | | | | |
| 531 00 23-85 | F | | 531 00 24-72 | L | | | | | | | |
| 531 00 23-86 | F | | 531 00 24-73 | J | | | | | | | |
| 531 00 23-87 | K | N | 531 00 24-74 | J | | | | | | | |
| 531 00 23-88 | K | | 531 00 24-75 | L | | | | | | | |
| 531 00 23-89 | K | | 531 00 24-76 | L | | | | | | | |
| 531 00 23-90 | K | | 531 00 24-77 | L | | | | | | | |
| 531 00 23-91 | H | | 531 00 24-78 | L | | | | | | | |

A

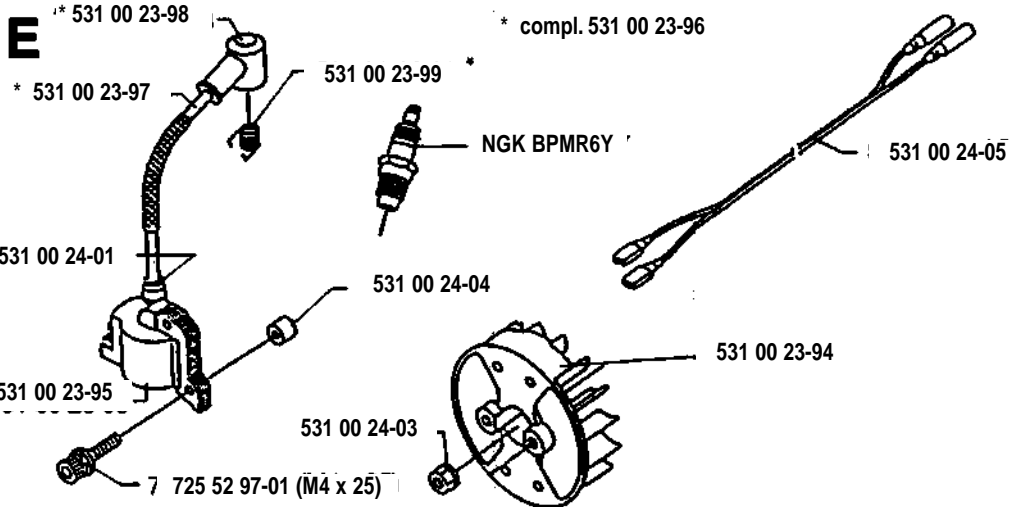
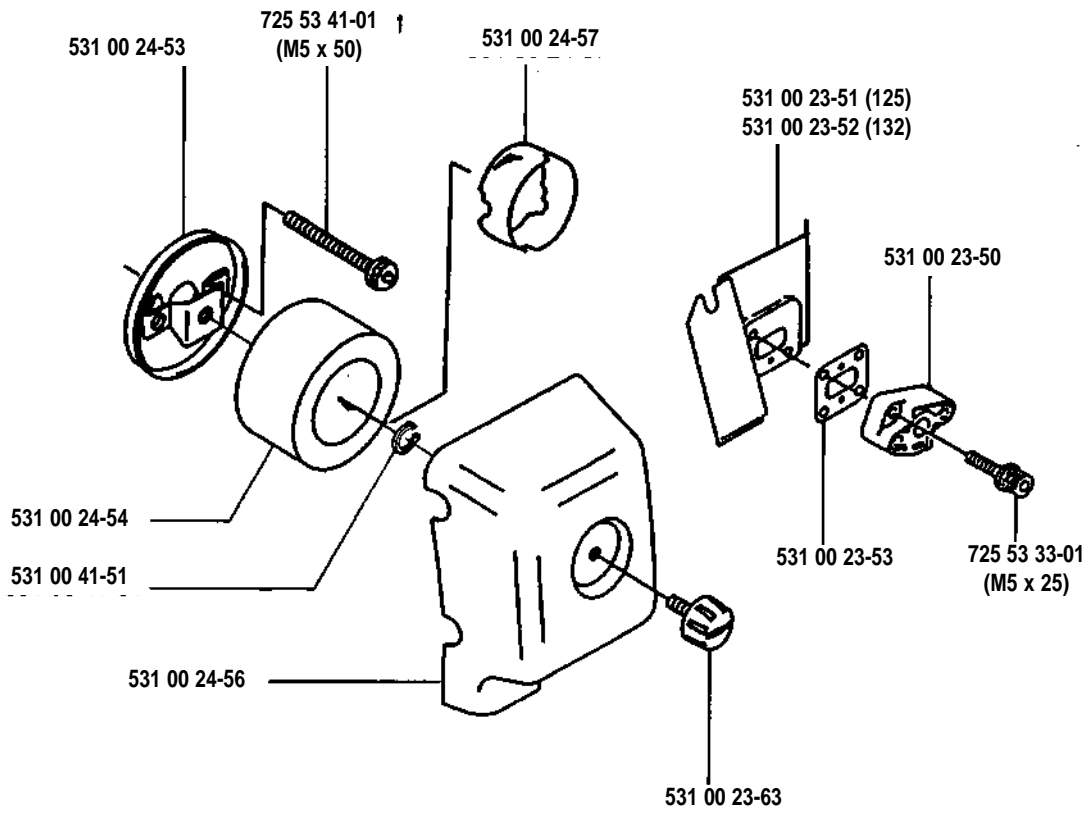


G



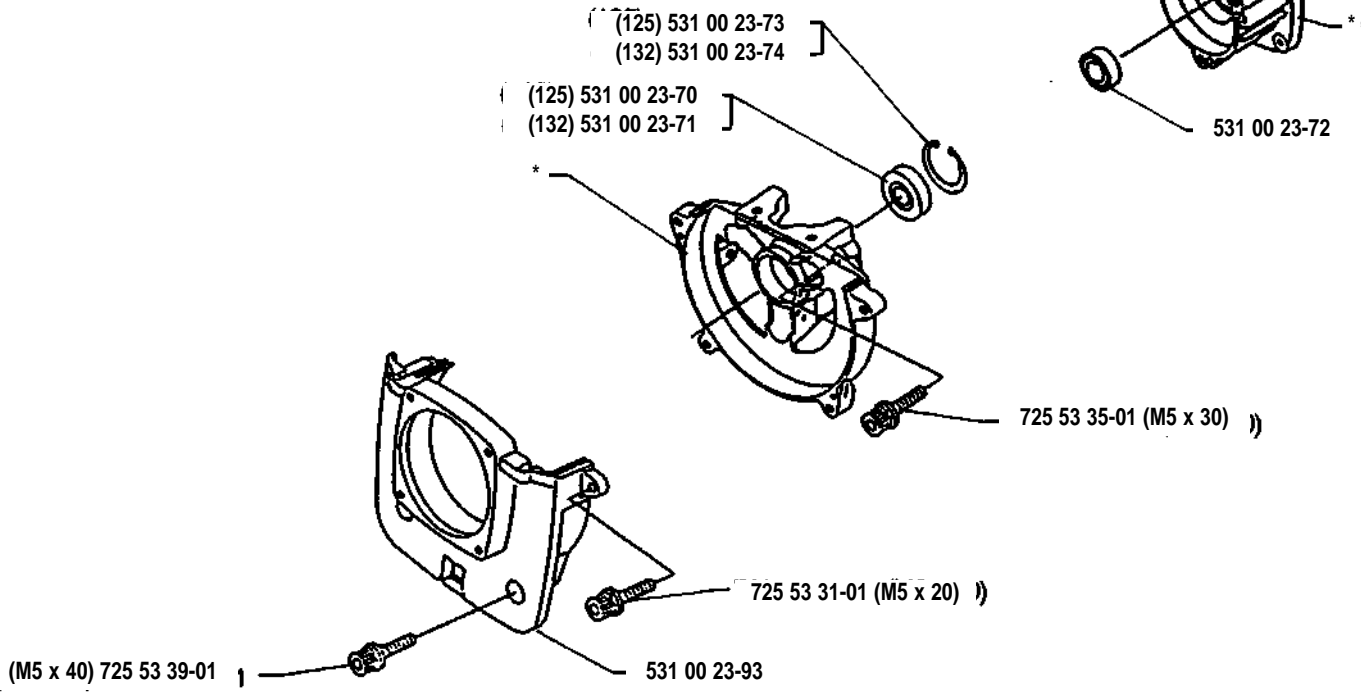
B**P****C****F****Q**

D

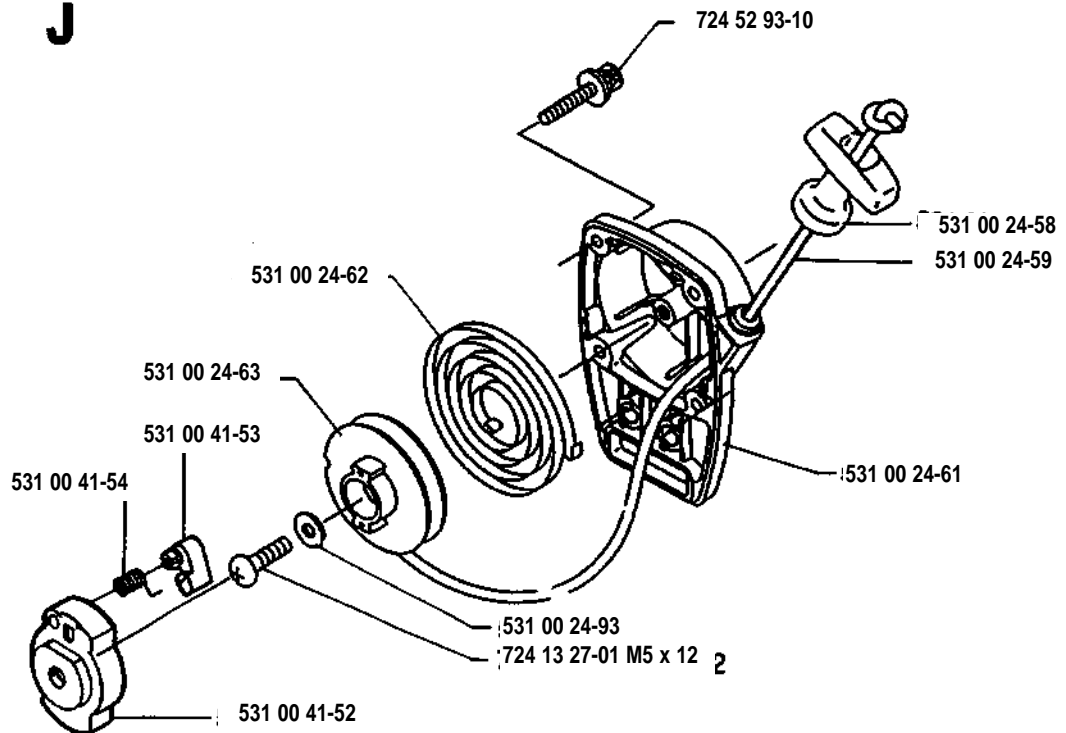


H

* compl. 531 00 23-67 (132)
* compl. 531 00 23-66 (125)

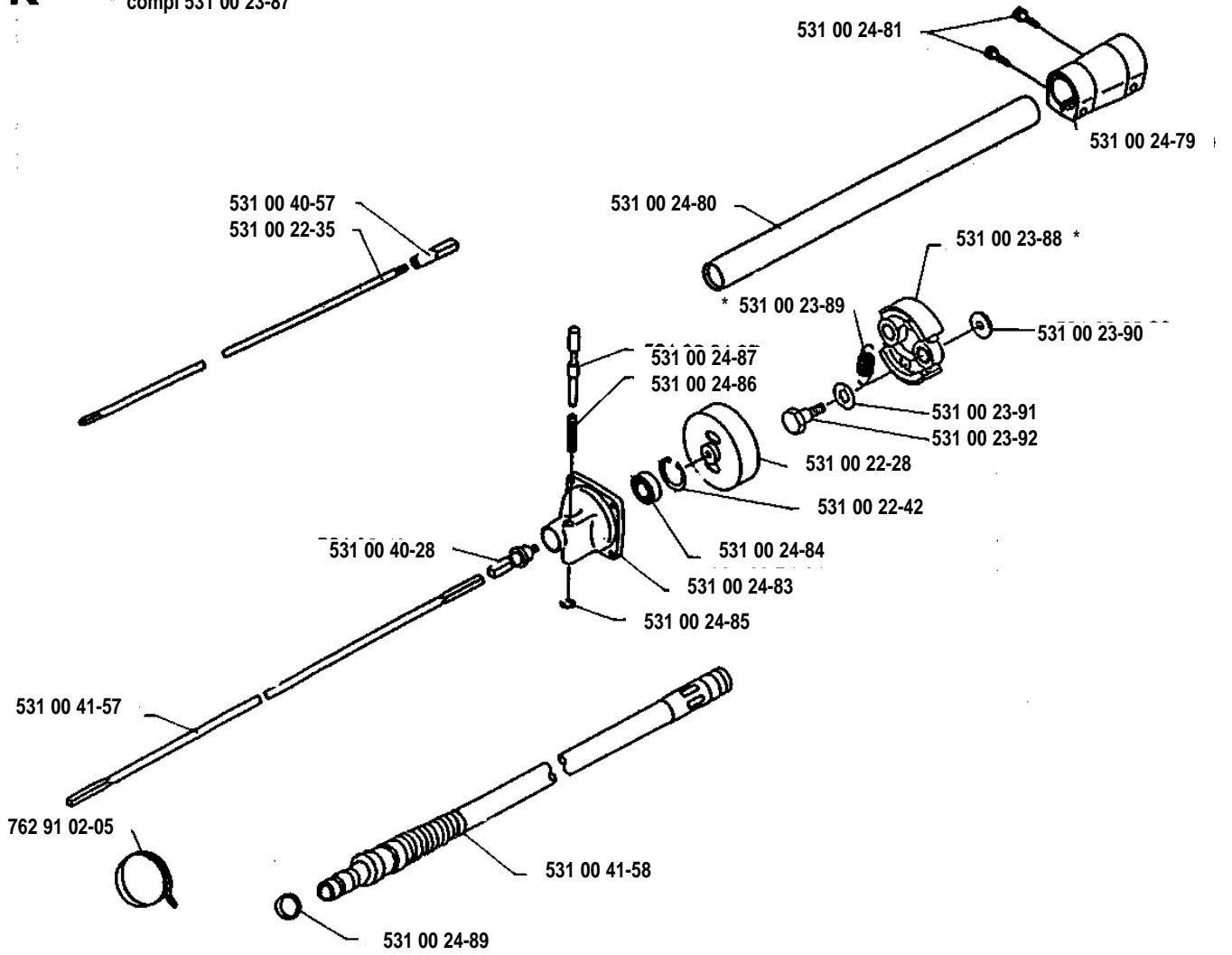


J



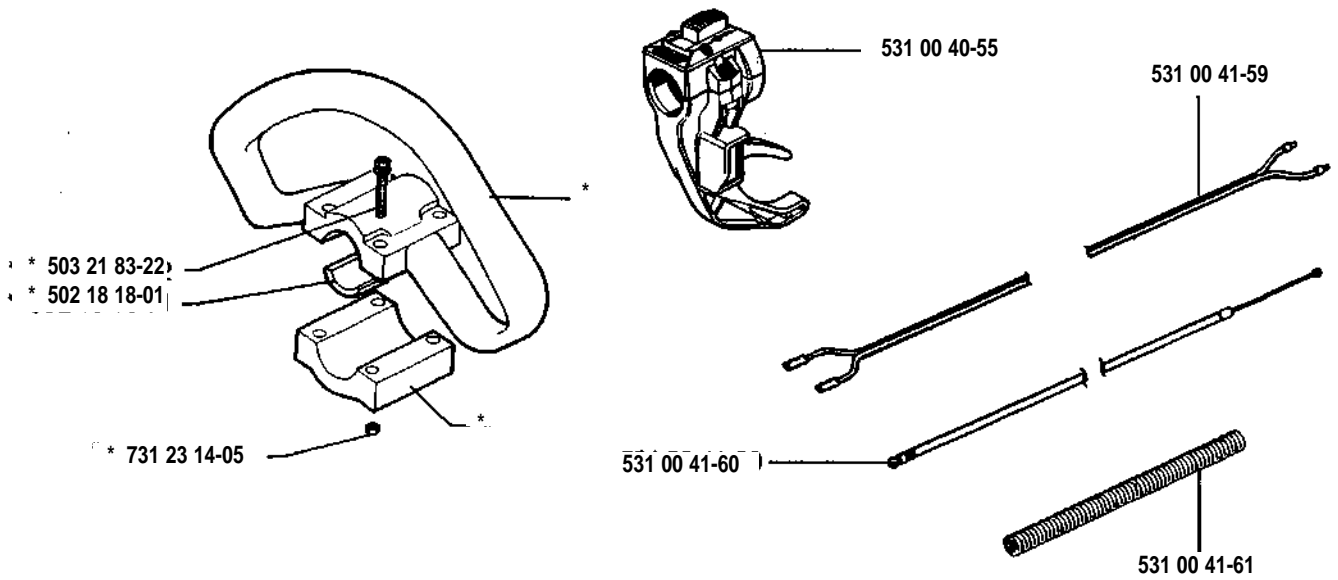
K

* compl 531 00 23-87

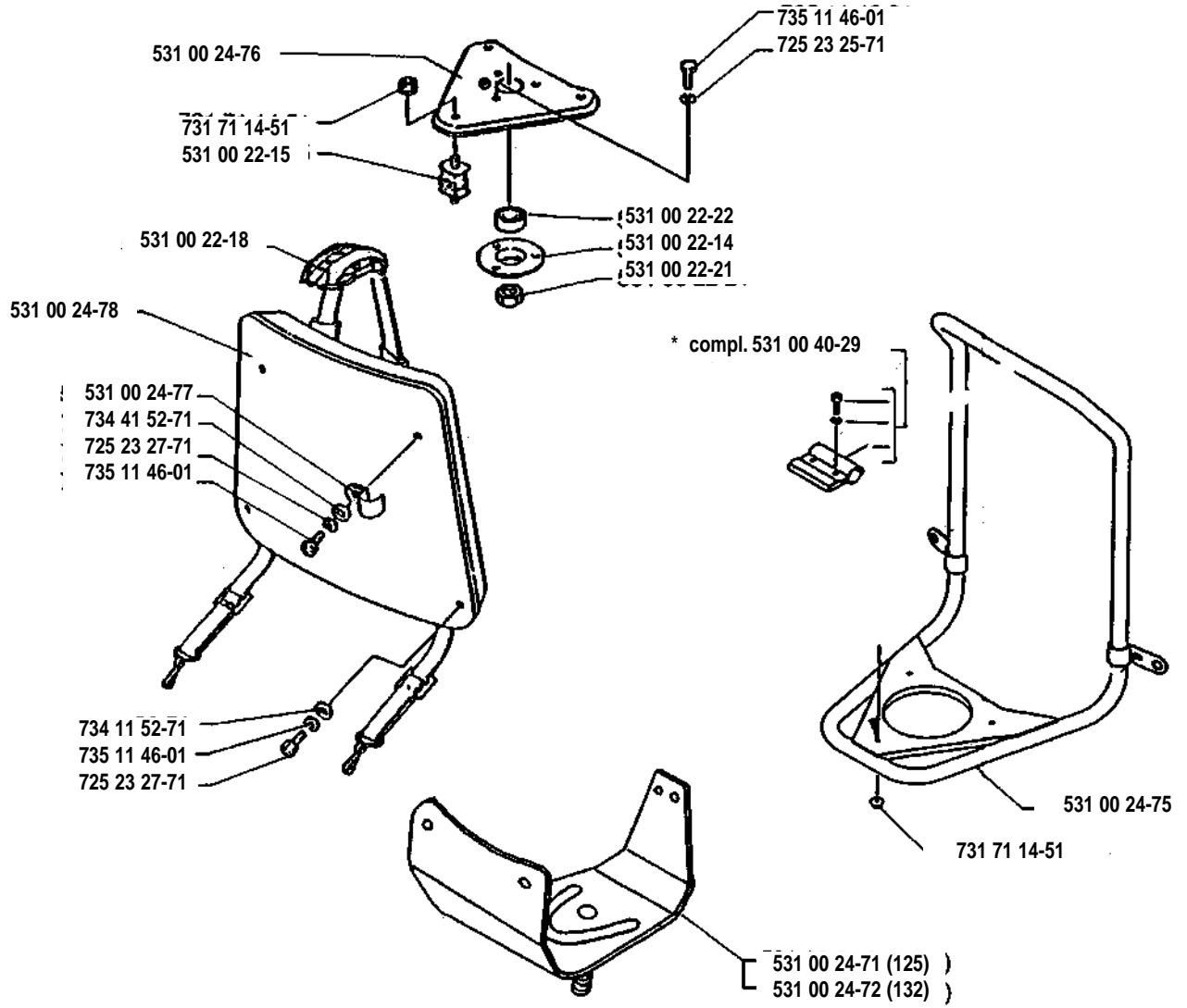


N

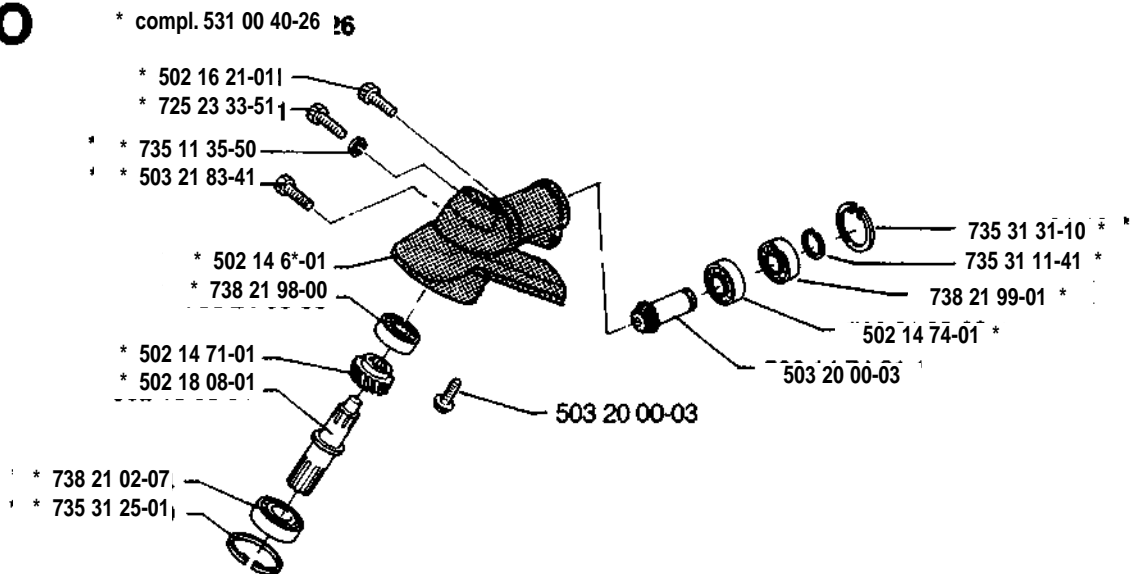
* compl. 502 18 14-01



L



O



M

* compl. 531 00 24-20 (132)
 * compl. 531 00 24-19 (125)

