

142/ 142e

Spare parts

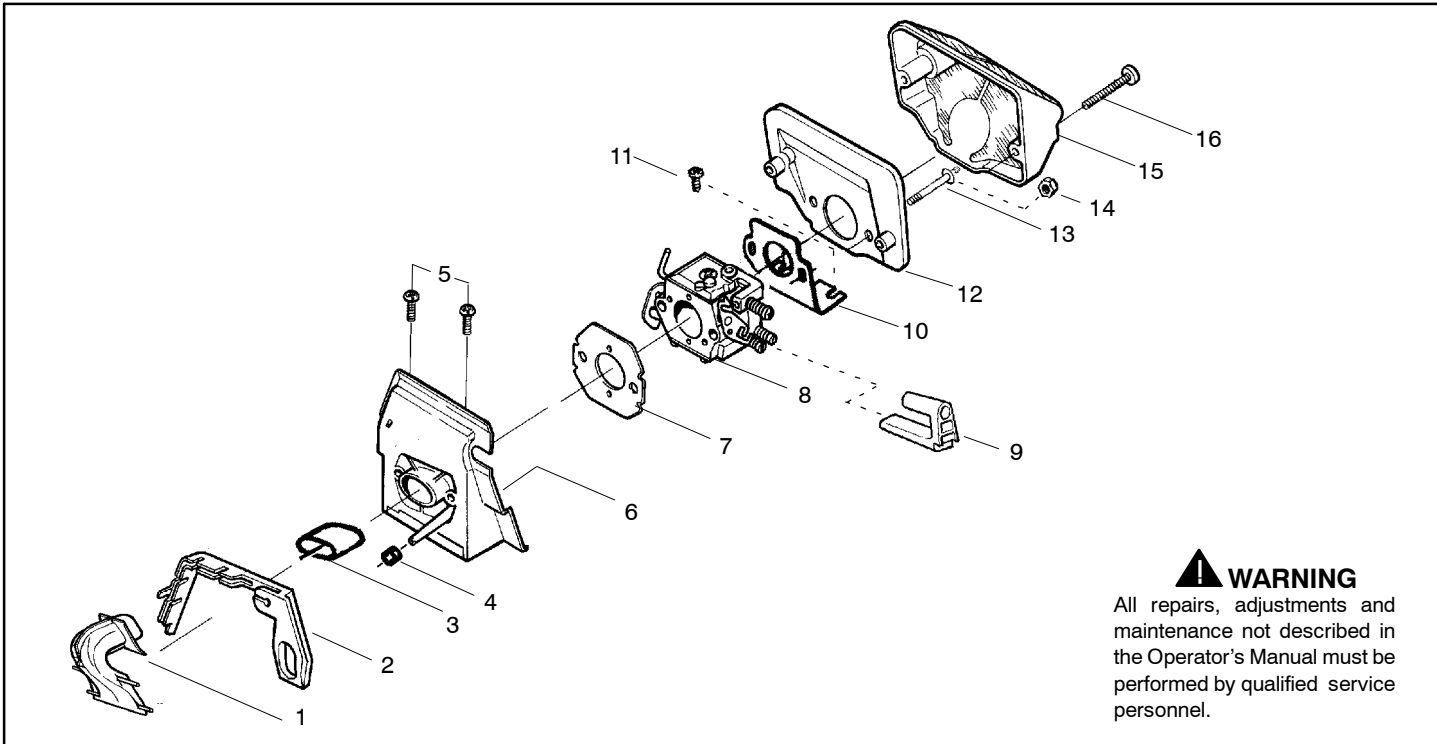
Ersatzteile

Pièces détachées

Reserve onderdelen

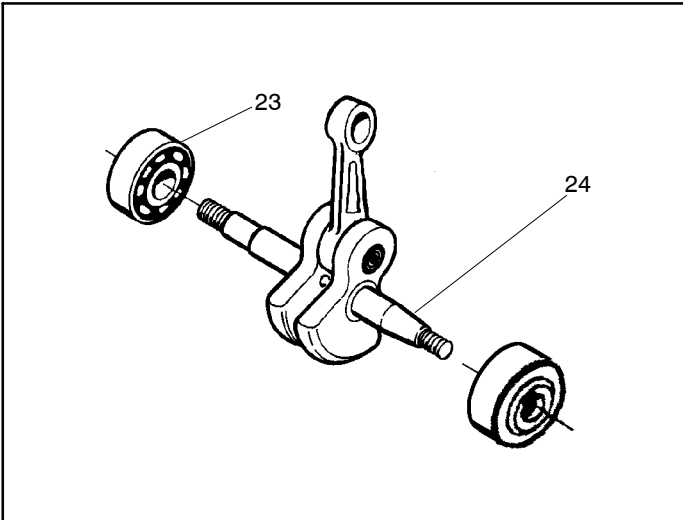
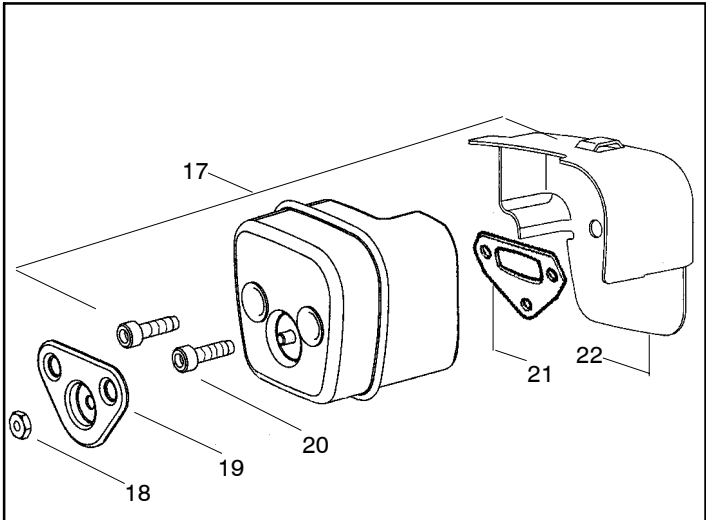
Repuestos

Reservdelar



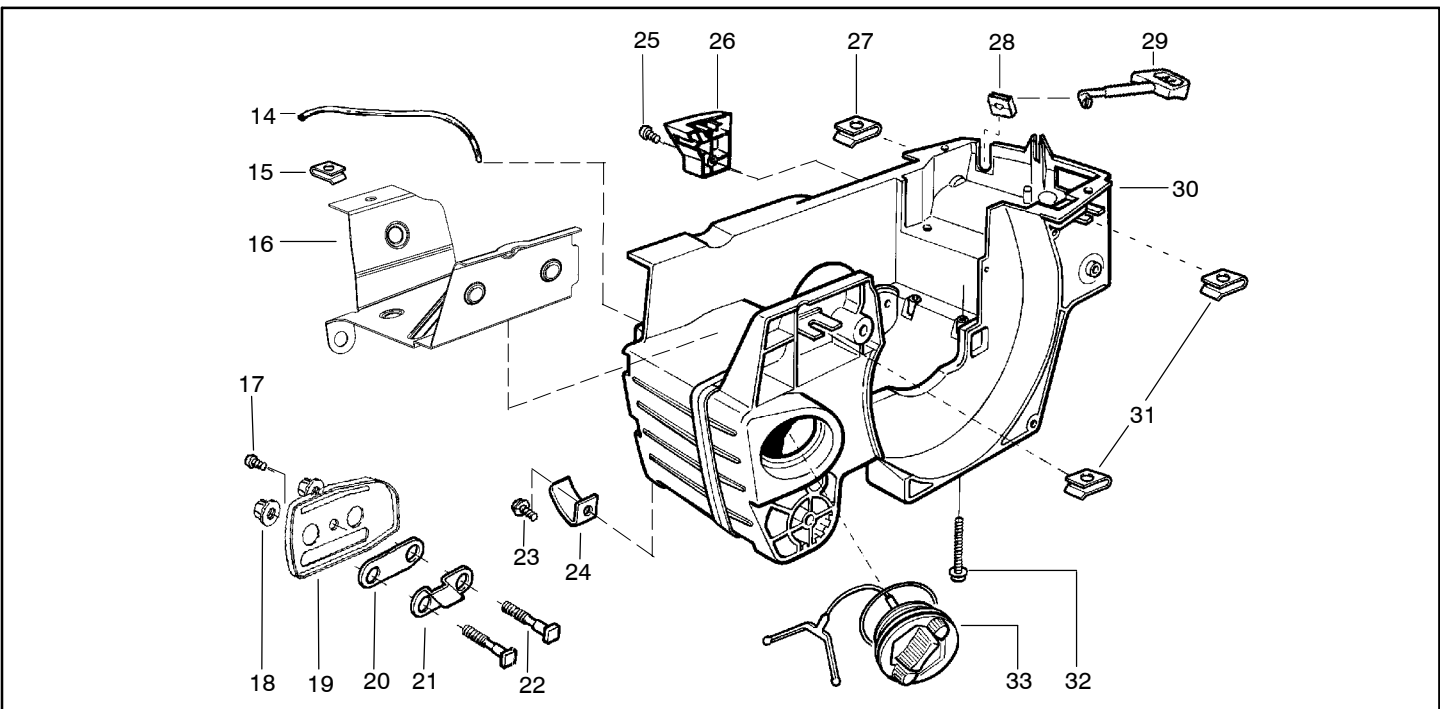
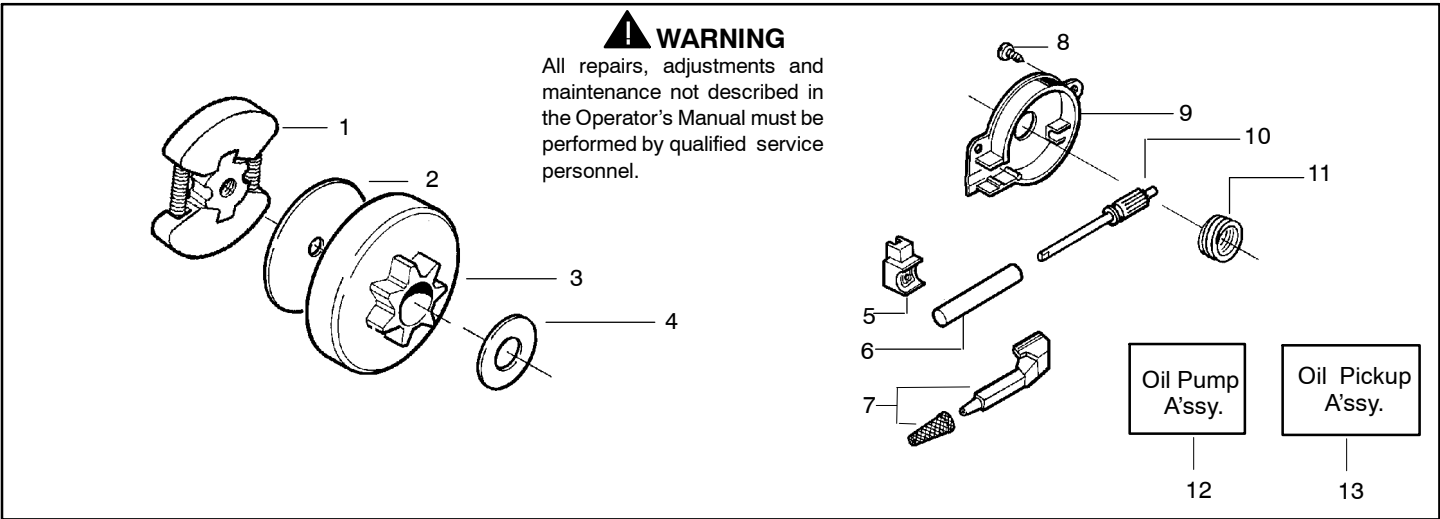
⚠ WARNING

All repairs, adjustments and maintenance not described in the Operator's Manual must be performed by qualified service personnel.



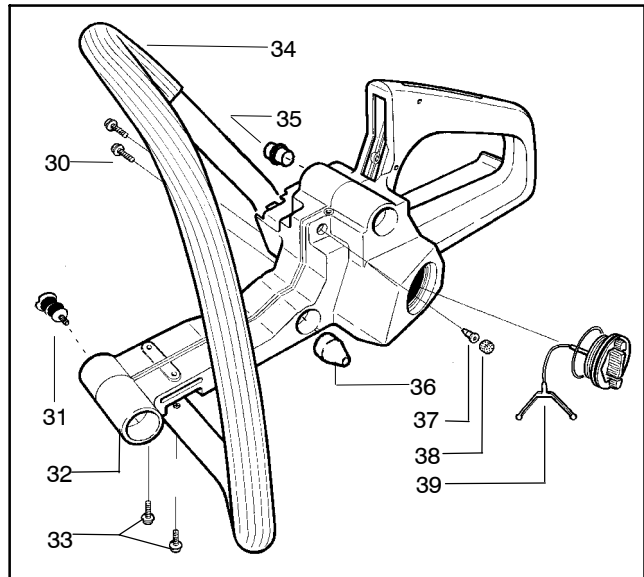
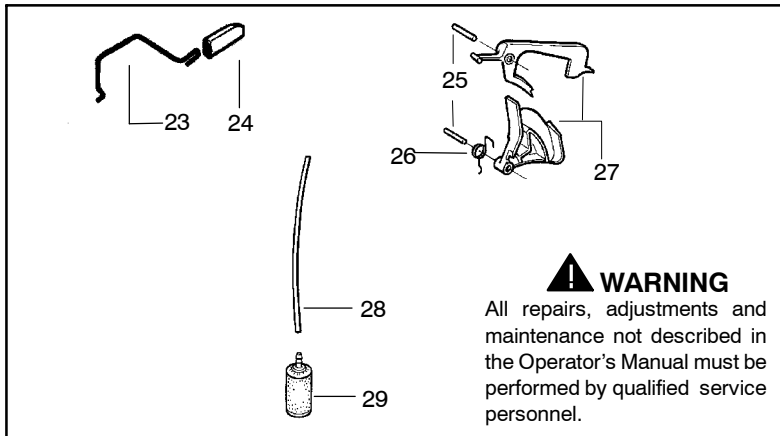
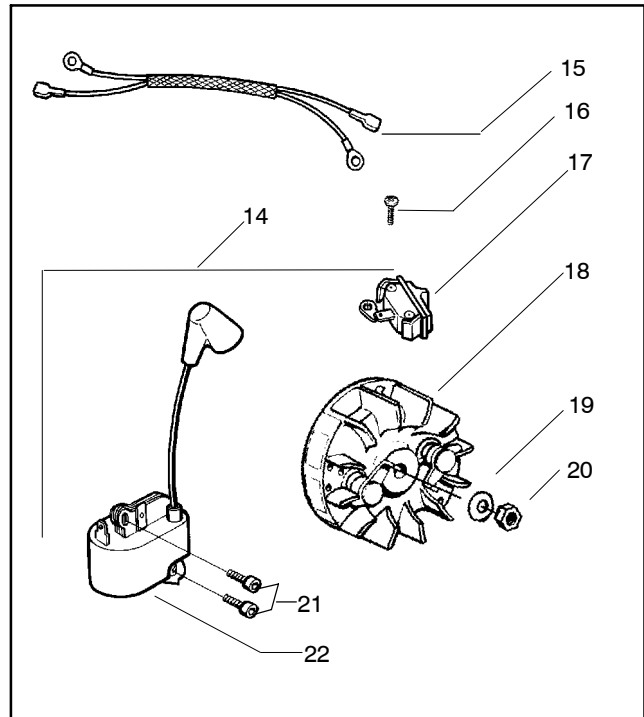
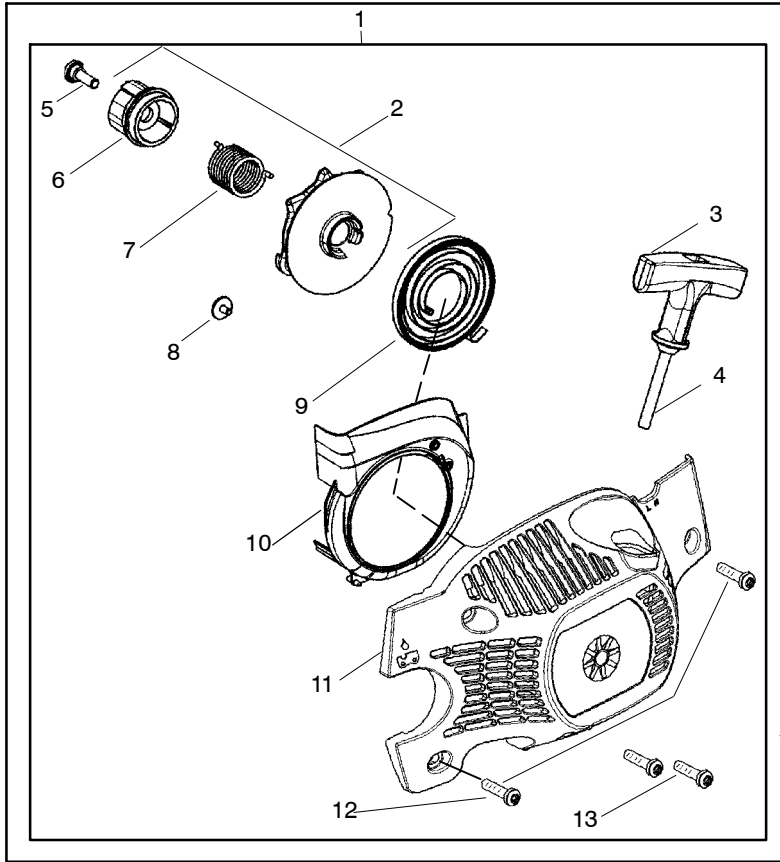
Ref.	Part No.	Description	Ref.	Part No.	Description
1	530029813	Assy-Turbo Air Cleaner	13	530015968	Stud - Carb.
2	530019203	Seal - Turbo Clean	14	530016008	Nut
3	530029814	Sleeve-Intake	15	530029811	Air-Filter - Top
4	530053435	Seal-Impulse	16	530015899	Screw
5	530015814	Screw	17	530071511	Kit-Muffler (Includes 20,21 & 22)
6	530037465	Adapter - Carb.	18	530016359	Nut-Brass
7	530019172	Gasket-Carburetor	19	530055600	Cover-Bolt
8	530071987	Carburetor-W-29	20	530016338	Bolt-Muffler
9	530035587	Grommet-Final	21	530055128	Gasket-Muffler
10	530047767	Plate - Support	22	530055171	Backplate-Muffler
11	530015896	Screw	23	530056363	Assy. -Bearing and Seal
12	530036582	Air Filter - Bottom	24	530029794	Assy-Crankshaft & Rod

✓ = NEW PART NUMBER FOR THIS IPL
 ● = THESE PARTS ARE ILLUSTRATED FOR CLARITY. ORDER COMPLETE ASSEMBLY.



Ref.	Part No.	Description	Ref.	Part No.	Description
1	530014949	Assy-Clutch	19	530047855	Plate-Bar
2	530015611	Washer-Clutch	20	530019228	Gasket
3	530047061	Assy-Clutch Drum w/Bearing	21	530036043	Plate-Bar Stud
4	530015907	Washer-Thrust	22	530015877	Bar Bolt
5	530019174	Seal-Oil	23	530015878	Screw
6	530029834	Barrel-Oil Pump	24	530029850	Chain Catcher
7	530014776	Assy-Oil Pick-Up and Screen	25	530015893	Screw
8	530015896	Screw	26	530052428	Cover
9	530029835	Housing-Oil Pump	27	530015922	Nut-Type "U" Speed
10	530029838	Assy-Plunger & Gear	28	530029830	Grommet
11	530029833	Worm-Oil Pump	29	530029831	Lever-Choke
12	530014410	Assy-Oil Pump (Includes 6,9 & 10)	30	530071991	Kit - Chassis Ass'y.
13	530069385	Assy-Oil Pickup (Includes #5, 7, 8, 19)	31	530015922	Nut-Type "U" Speed
14	530052440	Tube-Oil Vent	32	530016037	Screw
15	530055322	Clip-Retainer	33	501765602	Assy.- Oil Tank Cap
16	530055174	Shield-Heat			
17	530015896	Screw (optional)			
18	530015917	Nut			

✓ = NEW PART NUMBER FOR THIS IPL * = REFER TO THE SERVICE REFERENCE INDICATED FOR MORE INFORMATION. (LOCATED AT END OF IPL)
 ● = THESE PARTS ARE ILLUSTRATED FOR CLARITY. ORDER COMPLETE ASSEMBLY.



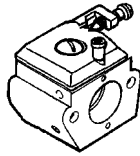
⚠ WARNING

All repairs, adjustments and maintenance not described in the Operator's Manual must be performed by qualified service personnel.

Ref.	Part No.	Description	Ref.	Part No.	Description	Ref.	Part No.	Description
1	530071968	Kit-Fan Hsg / Starter (Incl. 2, 3, 4, 5, 6, 7, 8, 9, 10, 11)	13	530015892	Screw	26	530029861	Spring
2	530071966	Kit-Starter EPS (Incl. 5,6,7,8)	14	530071967	Kit-EPS ignition (Incl. 17, 18, 22)	27	530069587	Kit - Throttle Trigger
3	530038491	Handle-Starter	15	530403257	Assy-Leadwire	28	530069247	Kit - Fuel line
4	530069232	Kit-Rope	16	530015896	Screw	29	530014497	Assy.- Fuel Pickup
5	530021179	Screw-shoulder	17	503717901	Switch-Ignition	30	530015940	Screw
6	530059677	Hub	18	530059637	Assy. -Flywheel	31	530029870	Element - AV Isolator
7	530021180	Spring-EPS	19	530015127	Washer-Flywheel	32	530055613	Assy. -Tank/Handle Isolator
8	530016392	Screw	20	530016134	Nut	33	530015843	Screw
9	530042095	Spring-Starter	21	530015895	Screw	34	530059961	Handle-Front Isolator-Front Handle Isolator
10	530059959	Baffle-Air	22	530039239	Module - Ignition	35	530052439	Isolator-Front Handle Isolator
11	530059958	Assy-Fan Hsg. w/eyelet	23	530029869	Wire - Throttle	36	530029984	Isolator
12	530015893	Screw	24	530029863	Cap - Wire	37	530026119	Valve - Check
			25	530029860	Pin	38	530038264	Plug - Vent
						39	530071266	Kit-Assy. Fuel Cap

✓ = NEW PART NUMBER FOR THIS IPL * = REFER TO THE SERVICE REFERENCE INDICATED FOR MORE INFORMATION. (LOCATED AT END OF IPL)
 ● = THESE PARTS ARE ILLUSTRATED FOR CLARITY. ORDER COMPLETE ASSEMBLY.

Kit - Carburetor Assembly No. 530071987 - Zama W-29



Carb
Repair
Kit

|
1

Ref.	Part No.	Description
1.	530035269	Kit-Carburetor Repair (Zama)

WARNING

All repairs, adjustments and maintenance not described in the Operator's Manual must be performed by qualified service personnel.