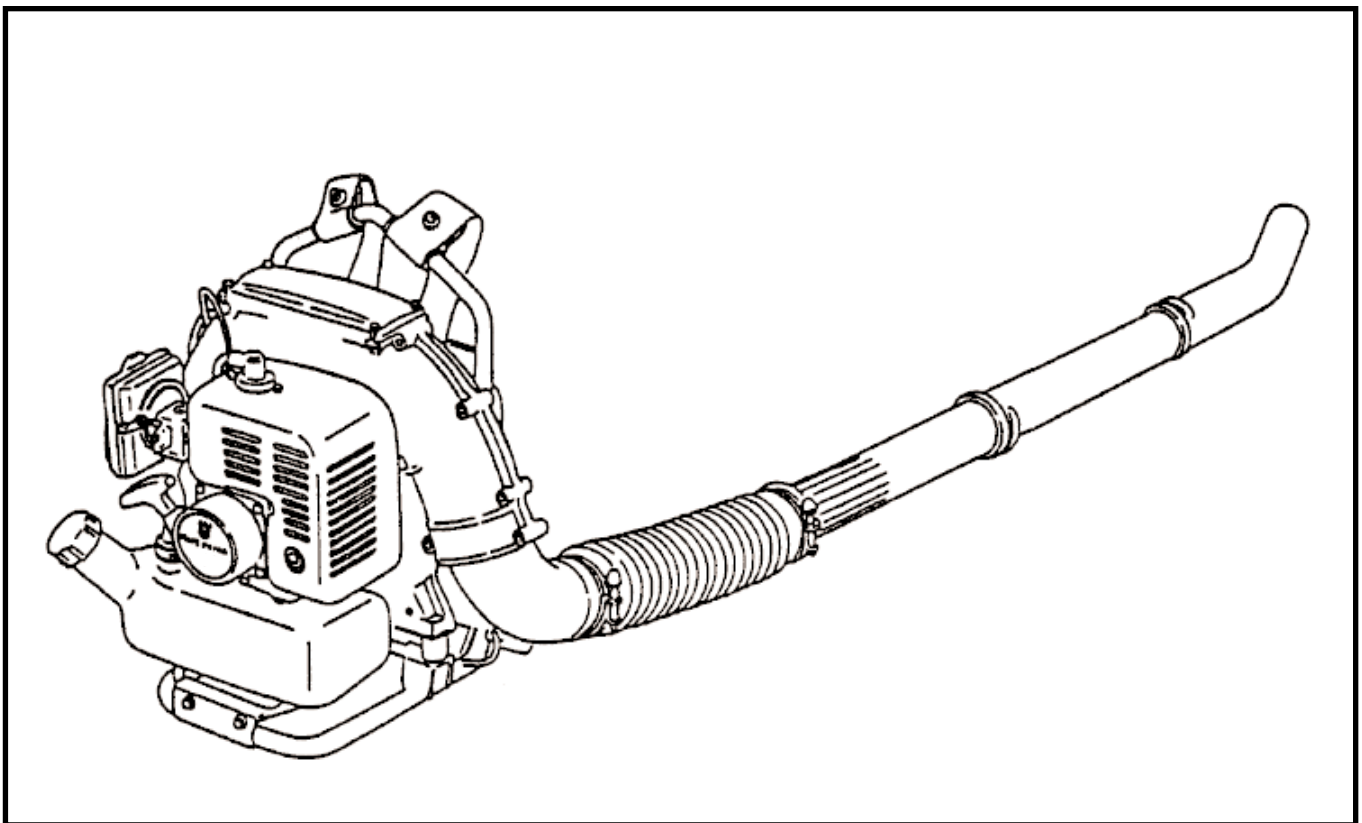
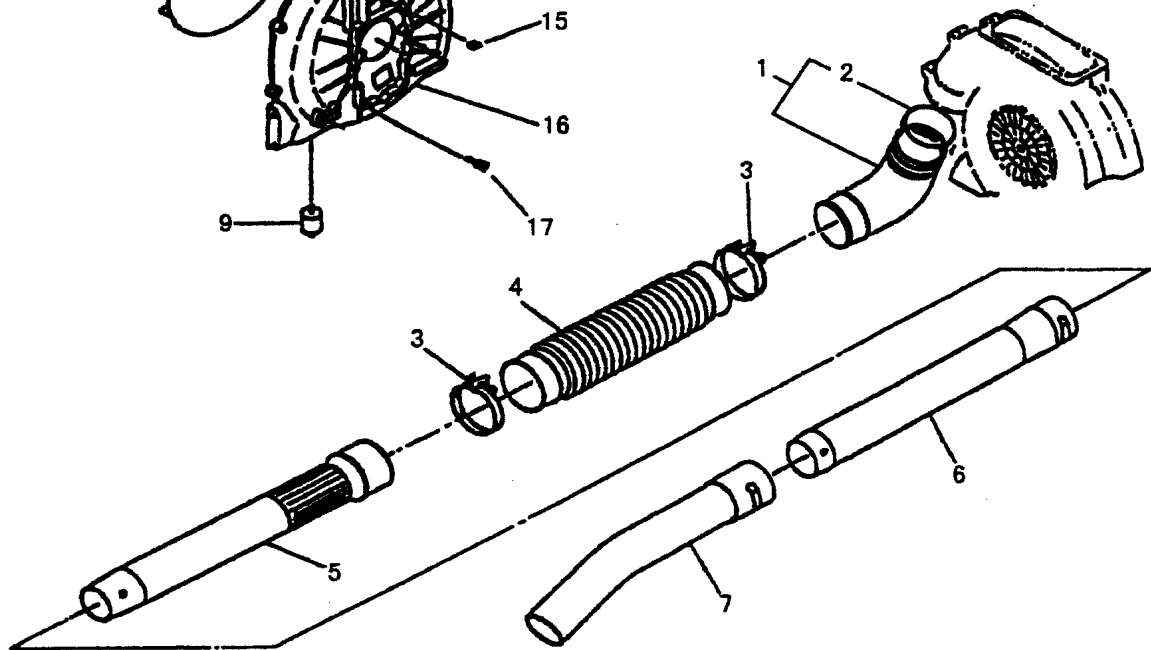
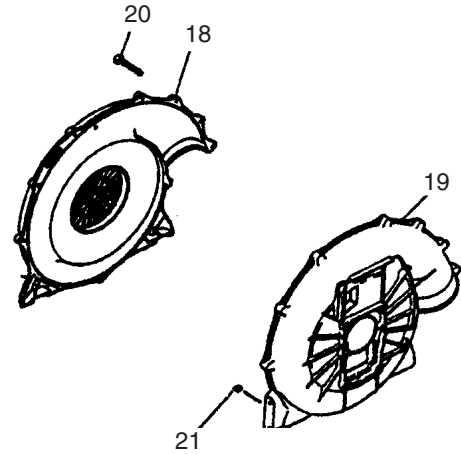
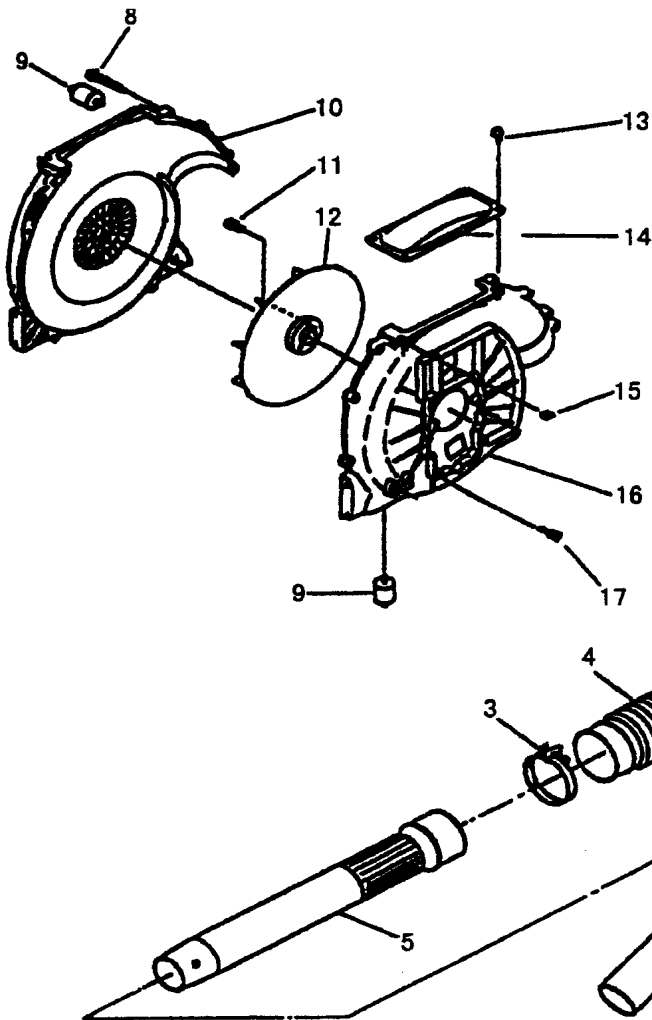


# 145 BF



**Repair Parts Manual**

**Backpack Blower**

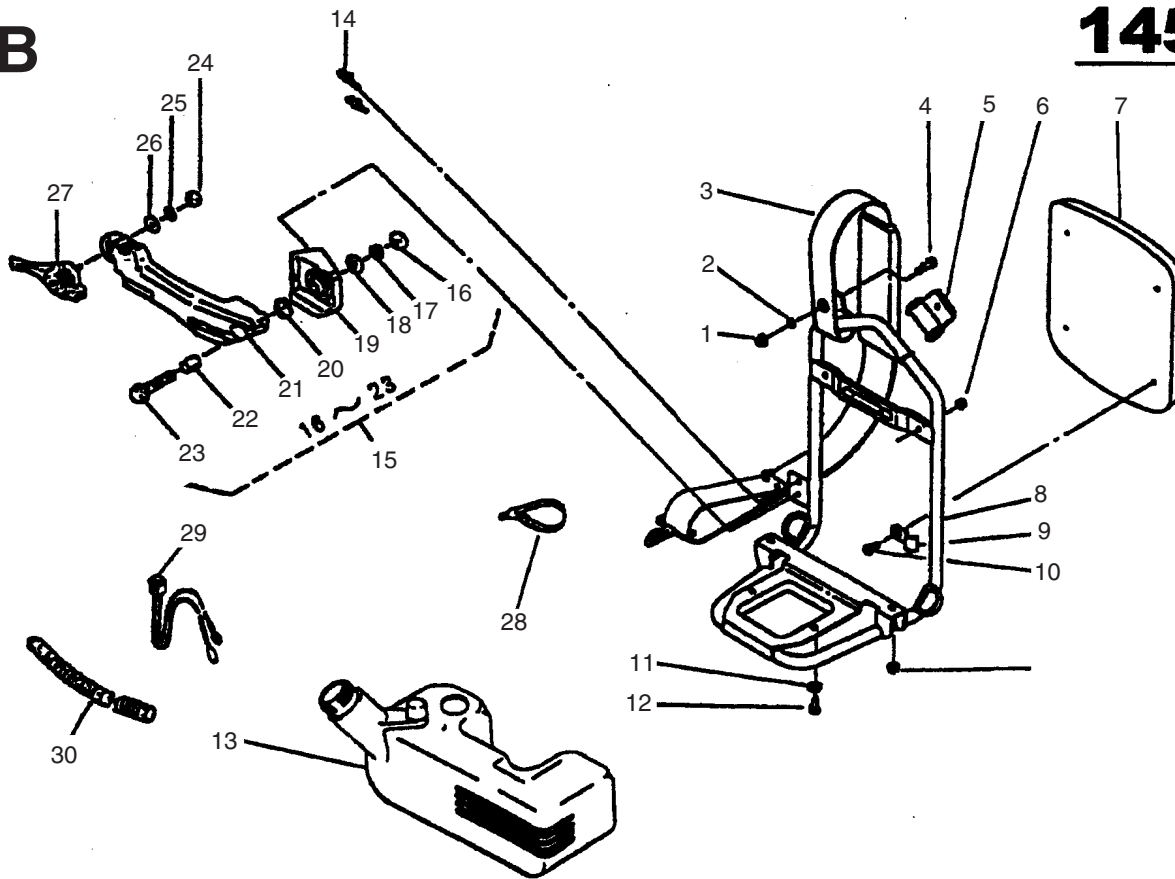
**A****145BF****New Style Housing**

Ref. #	Part #	Description
1	695 00 04-02	Elbow Pipe Compl.
2	695 00 00-05	O-Ring
3	695 00 05-27	Clamp
4	695 00 00-16	Flexible Pipe
5	695 00 00-19	Base Pipe
6	695 00 00-20	Middle Pipe
7	695 00 00-21	Bend Pipe
8	695 00 02-05	Tapping Screw (M5x30)
9	695 00 01-88	Rubber AV Mount
10	695 00 04-13	Fan Housing
11	695 00 06-37	Pre-Coat Lock Bolt

Ref. #	Part #	Description
12	695 00 00-36	Fan
13	695 00 02-04	Screw (M6x20)
14	695 00 00-14	Cover
15	695 00 00-06	Hex Nut
16	695 00 00-35	Fan Housing
17	695 00 06-40	Pre-Coat Lock Bolt
18	695 00 06-52	Fan Housing (New Style)
19	695 00 06-53	Fan Housing (New Style)
20	695 00 02-05	Tapping Screw
21	695 00 00-06	Hex Nut

# 145BF

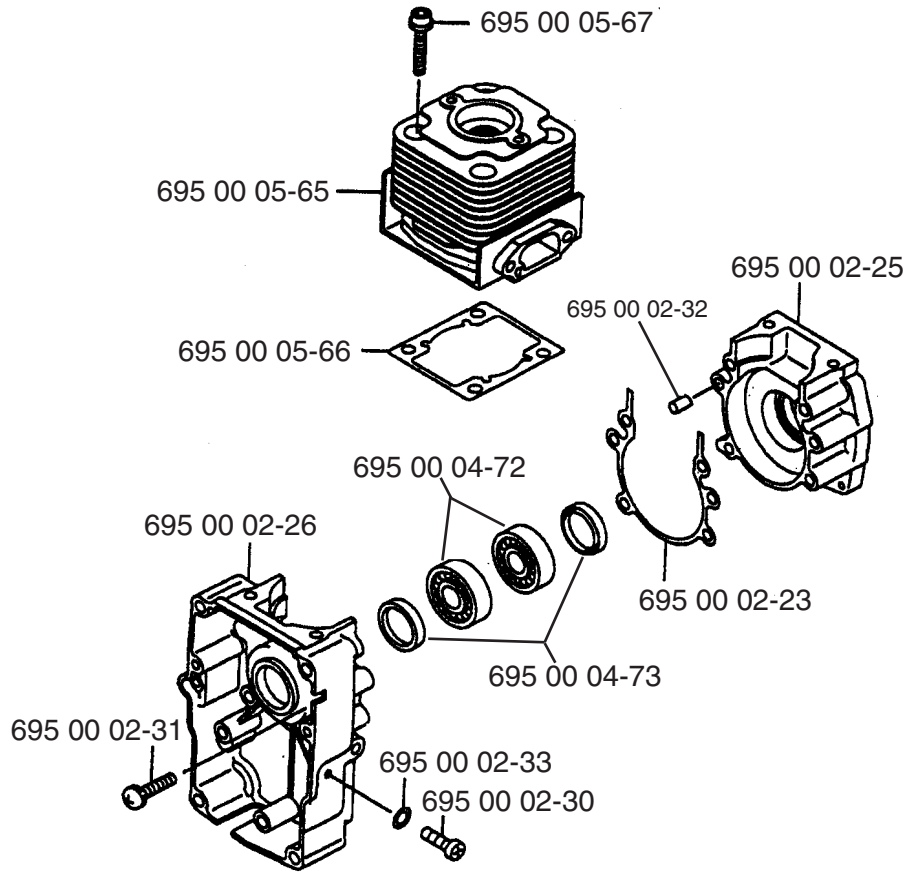
**B**



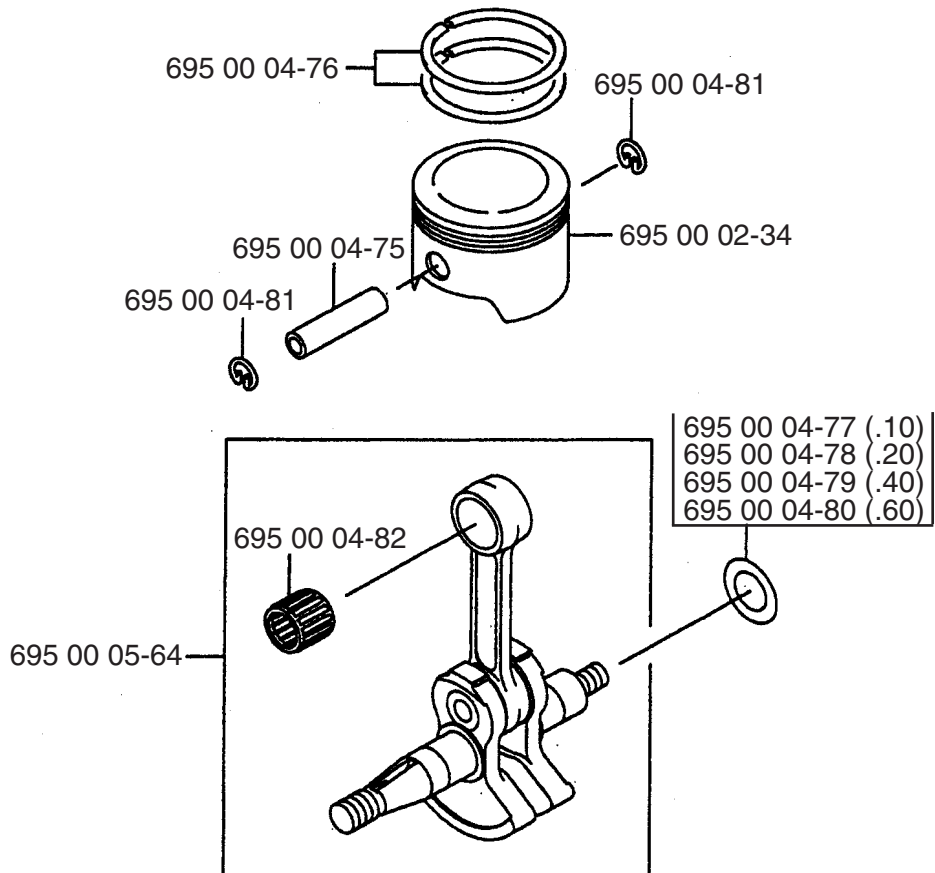
Ref. #	Part #	Description
1	695 00 00-38	Flange Nylon Nut (M6)
2	695 00 00-45	Washer
3	695 00 05-30	Shoulder Strap
4	695 00 00-25	Truss Screw (M6x20)
5	695 00 00-17	Strap Support
6	695 00 00-39	Flange Nut
7	695 00 00-48	Backpack Pad
8	695 00 06-49	Backpack Frame
9	695 00 00-03	Backpack Pad Clamp
10	695 00 00-10	Hex Bolt (M5x12)
11	501 94 13-01	Plain Washer (M6)
12	695 00 02-00	Screw (M6x10)
13	695 00 05-72	Fuel Tank
14	695 00 06-75	Screw (M5x12)
15	695 00 04-04	Lever Compl.

Ref. #	Part #	Description
16	695 00 02-16	Hex Nut
17	695 00 02-12	Spring Lock Washer (M8)
18	695 00 02-13	Plain Washer (M8)
19	695 00 02-06	Lever Mount
20	695 00 02-09	O-Ring
21	695 00 02-07	Lever Body
22	695 00 02-08	Spacer
23	695 00 02-10	Flange Bolt (M8x25)
24	695 00 02-16	Hex Nut (M5)
25	695 00 02-17	Spring Lock Washer (M5)
26	695 00 02-18	Plain Washer (M5)
27	695 00 02-15	Throttle Lever
28	695 00 00-43	Wire Band
29	695 00 02-19	Stop Switch
30	695 00 02-20	Tube

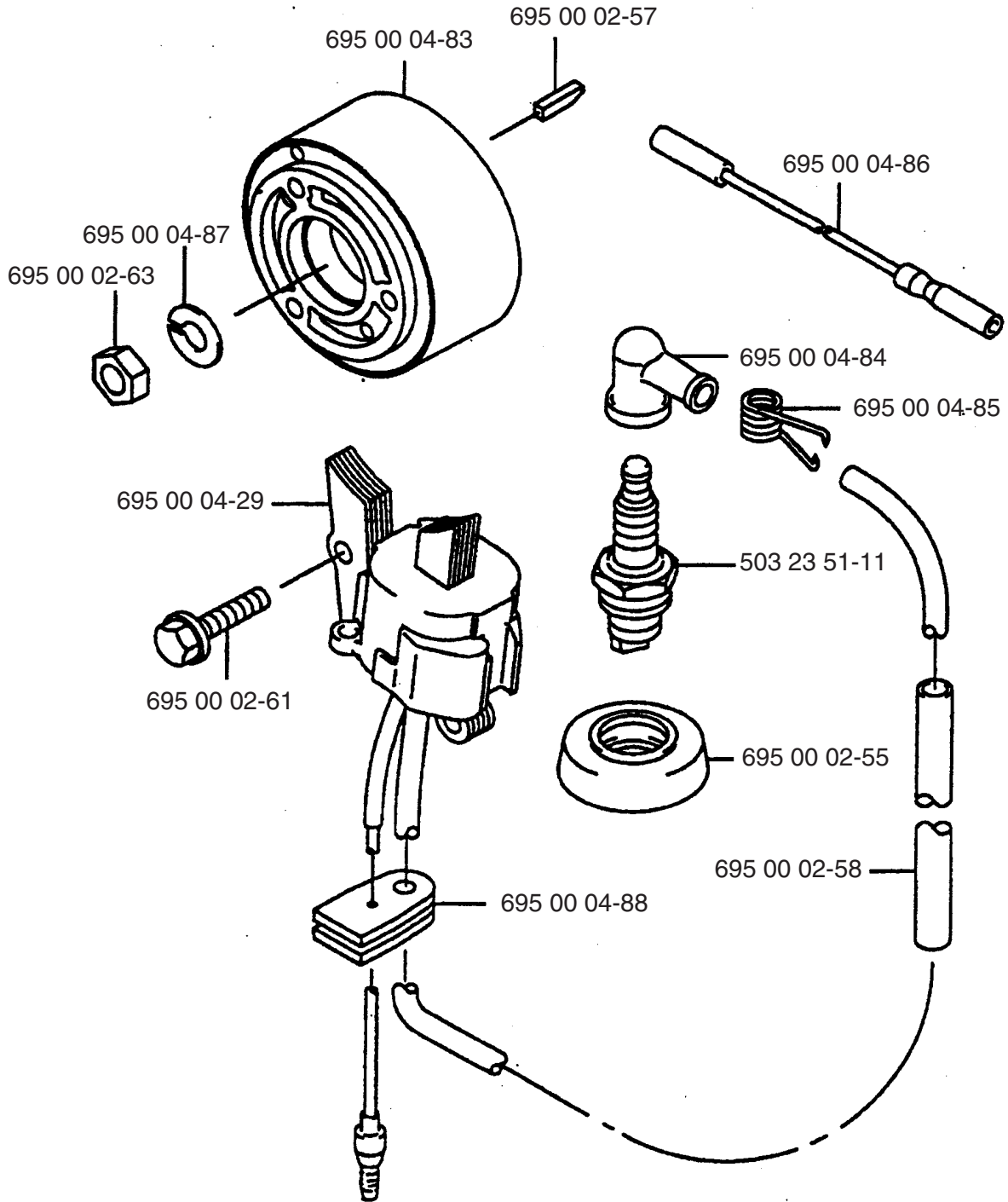
C



D

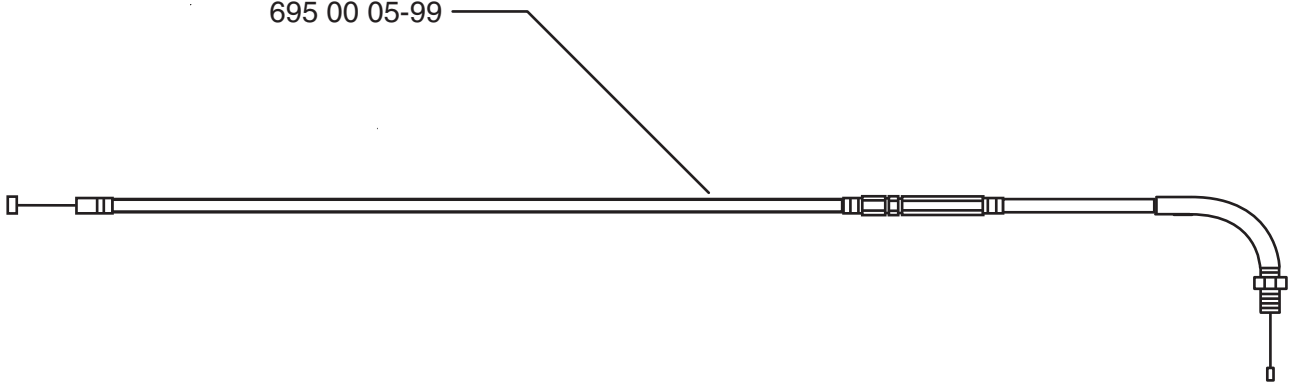


E

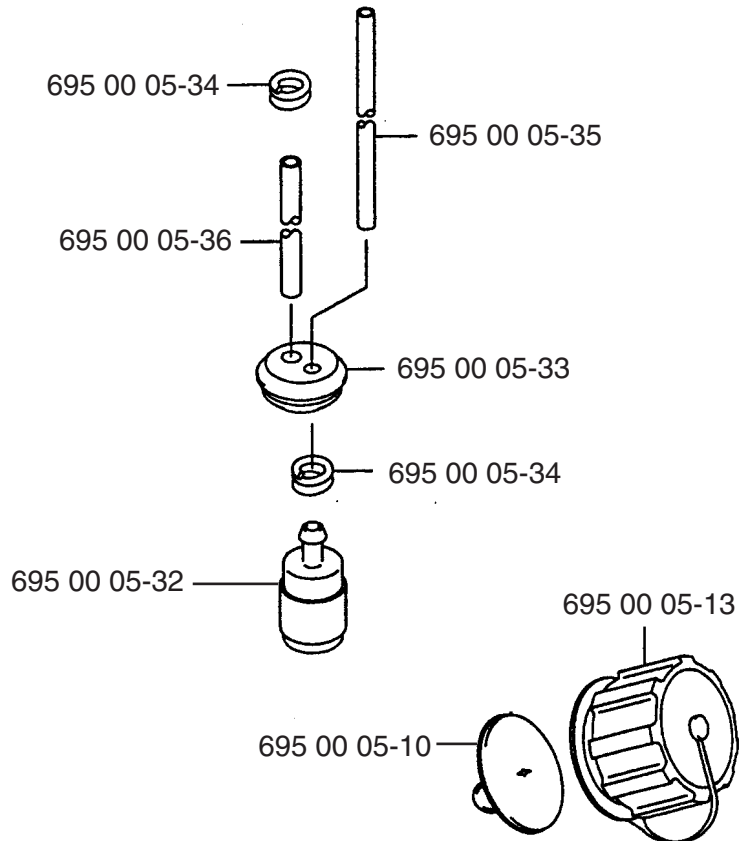


**F**

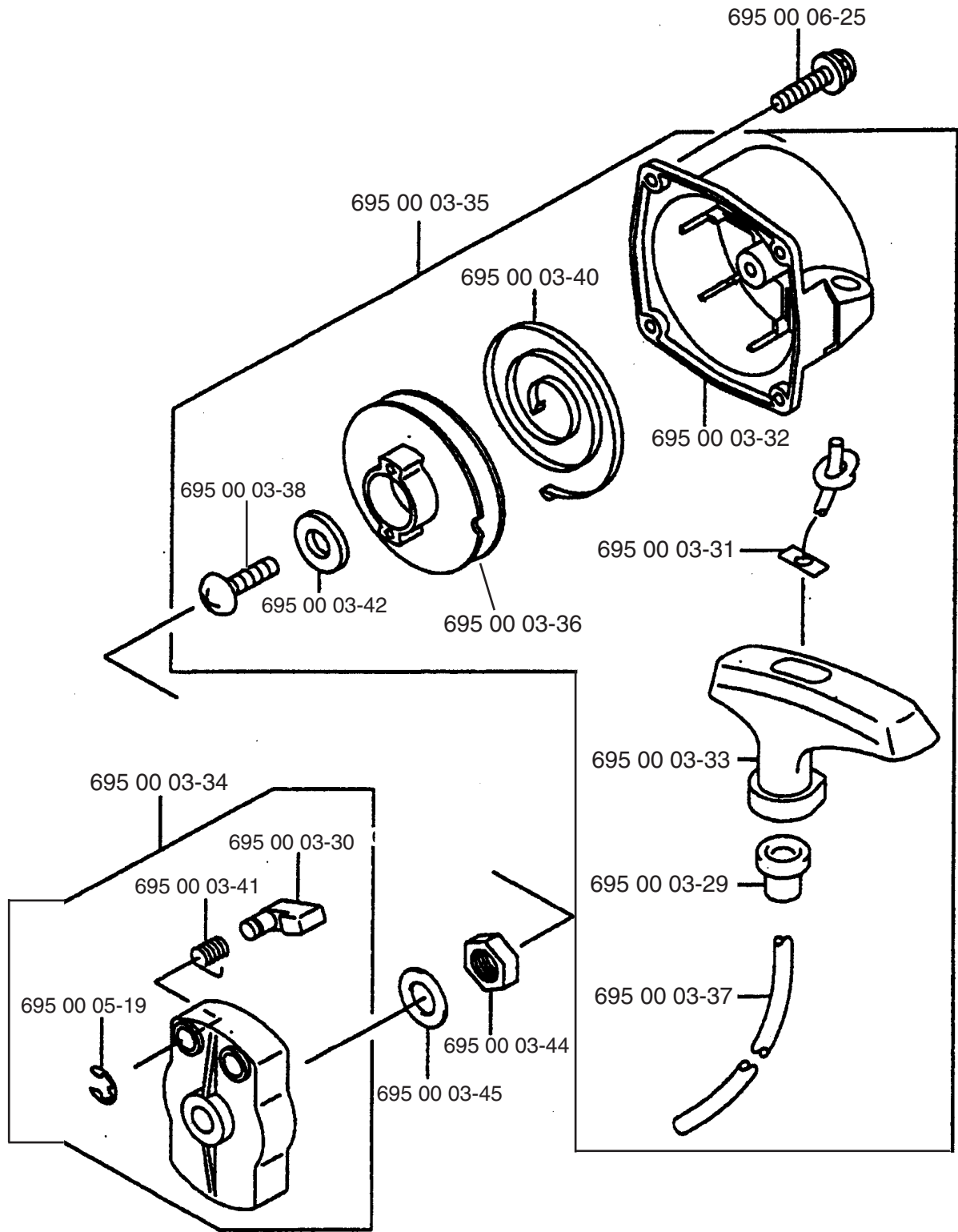
695 00 05-99



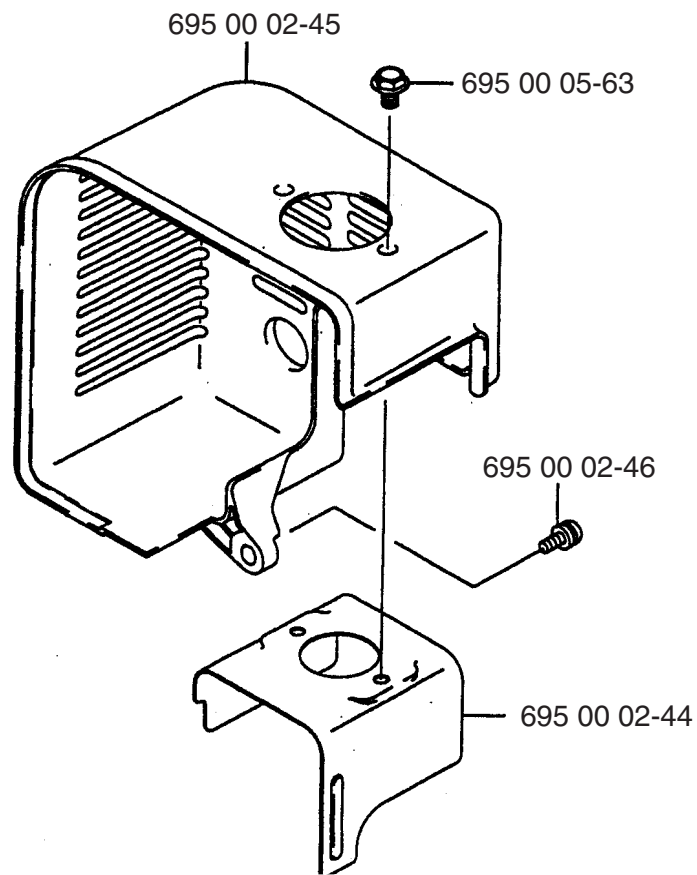
**G**



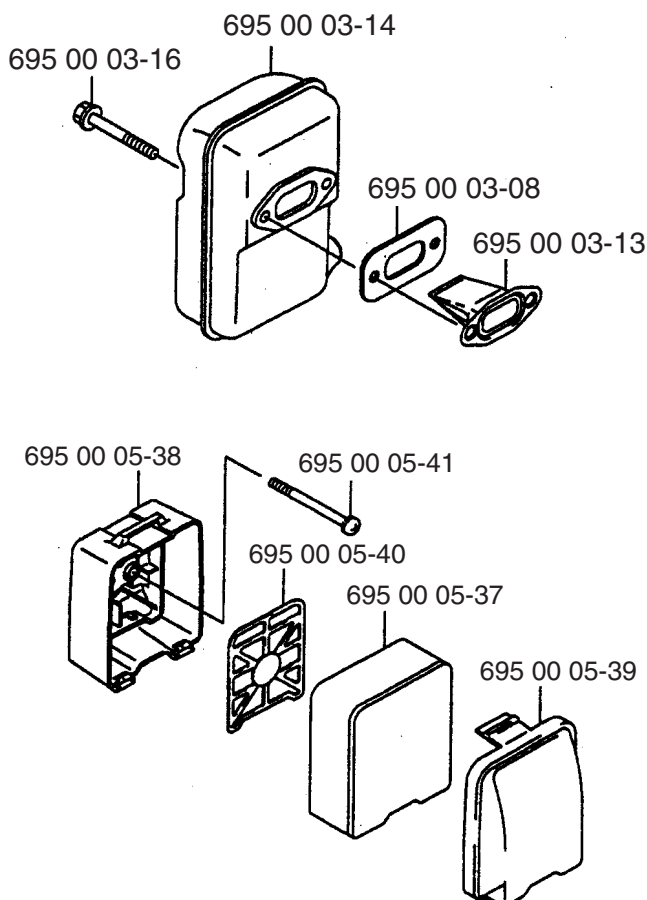
H



**J**



**K**



695 00 06-30

<b>REPLACEMENT</b>	
FUEL MIXTURE RATIO	50:1
AIR/FILTER	
DRAINAGE OF CHAMBER	



L

