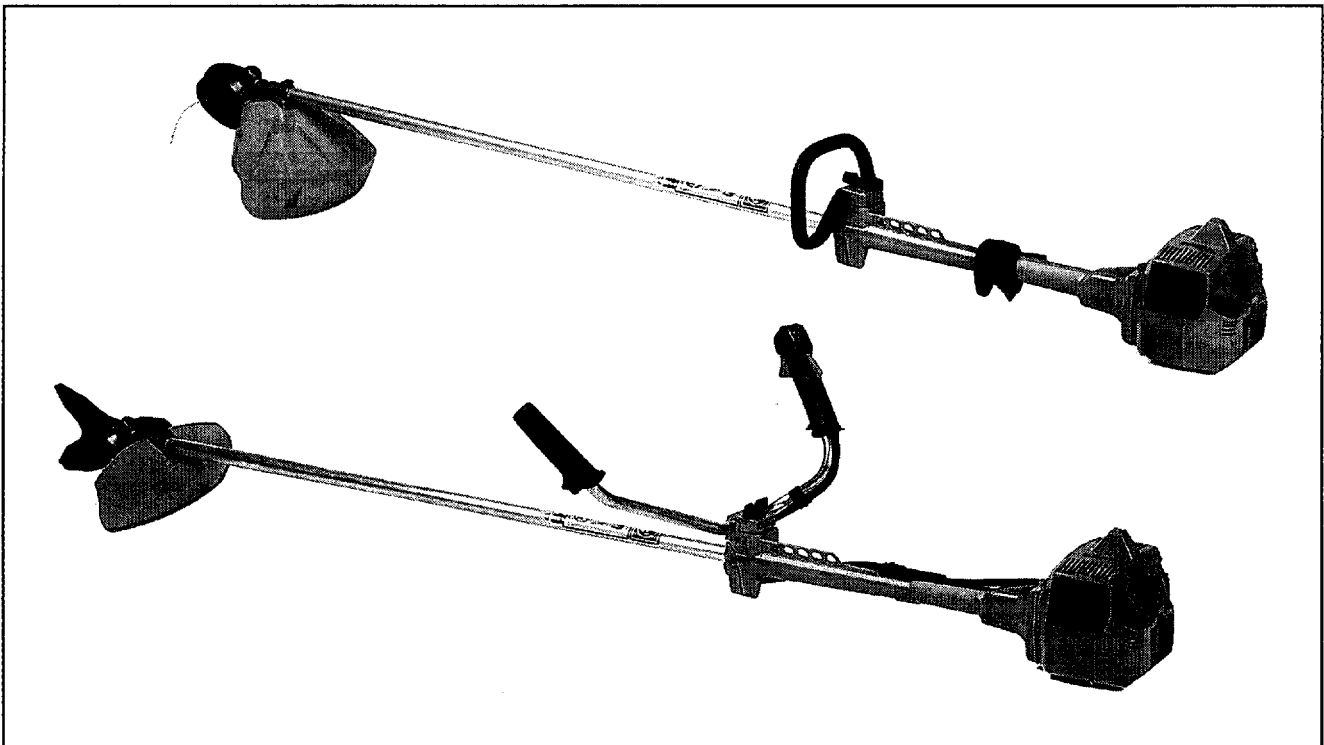


# 225L/LD/R/RD/RJ



**1.1994**

**Spare parts**

**Ersatzteile**

**Pièces détachées**

**Reserve onderdelen**

**Repuestos**

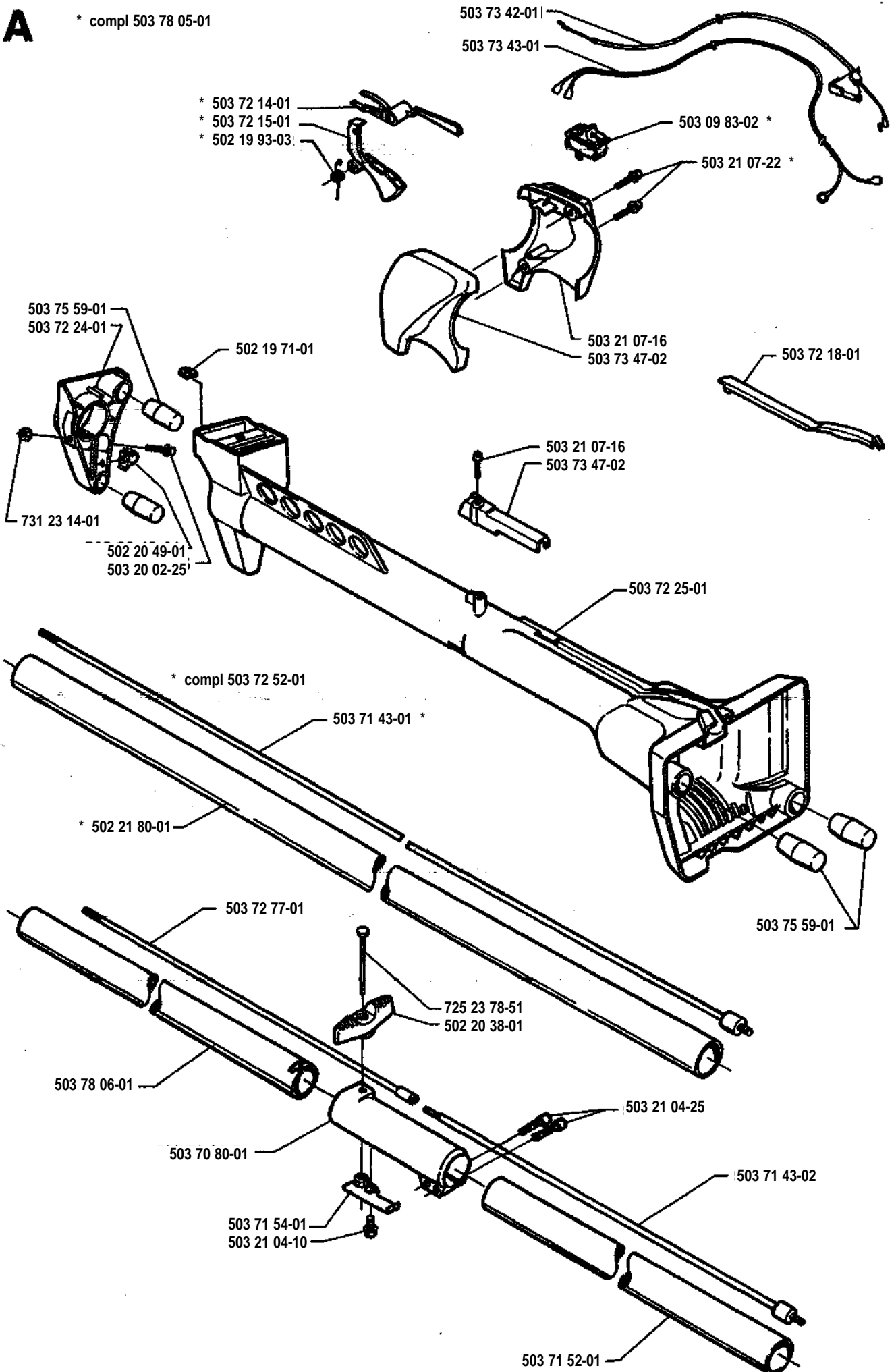
**Reservdelar**

MODEL NUMBER 225R

PART NUMBER	SQUARE	NOTE	PART NUMBER	SQUARE	NOTE	PART NUMBER	SQUARE	NOTE	PART NUMBER	SQUARE	NOTE
501 46 69-01	N		503 20 02-30	E		503 73 47-02	A				
501 46 87-01	N		503 20 02-60	J		503 73 53-01	P				
501 48 54-02	L		503 20 25-16	L		503 73 63-03	P				
501 60 02-02	P		503 21 04-10	A		503 73 63-04	P				
501 66 61-01	N		503 21 04-25	A		503 74 16-01	P				
501 66 78-01	N		503 21 06-16	M		503 74 16-02	P				
502 02 61-03	P		503 21 07-16	AP		503 74 29-01	P				
502 08 83-02	H		503 21 07-22	ABE		503 74 40-01	P				
502 10 30-01	N		503 21 07-38	B		503 74 40-04	P				
502 10 31-01	N		503 21 07-45	B		503 74 50-01	P				
502 11 46-02	P		503 21 07-47	G		503 74 53-01	P				
502 11 97-01	N		503 21 29-06	M		503 75 34-01	K				
502 18 94-03	E		503 21 44-25	C		503 75 35-01	H				
502 18 95-01	M		503 22 10-11	L		503 75 59-01	A				
502 18 98-01	B		503 22 63-01	H		503 76 16-01	L				
502 19 59-01	L		503 23 00-35	M		503 77 39-01	P				
502 19 63-01	M		503 23 01-01	L		503 78 01-01	B				
502 19 71-01	A		503 23 51-08	D		503 78 02-03	B				
502 19 84-01	G		503 28 15-05	G		503 78 03-01	J				
502 19 86-02	G		503 28 90-30	D		503 78 04-03	B				
502 19 89-01	N		503 52 12-04	E		503 78 05-01	A				
502 19 90-01	B		503 57 42-01	N		503 78 06-01	A				
502 19 91-01	B		503 61 23-01	N		504 13 08-08	N				
502 19 92-01	B		503 61 24-01	N		504 13 09-06	N				
502 19 93-01	B		503 62 52-01	N		504 21 00-49	N				
502 19 93-02	A		503 69 62-01	K		504 21 00-50	N				
502 19 94-01	B		503 69 63-01	K		505 30 51-25	M				
502 20 06-01	M		503 69 67-01	K		505 31 67-17	N				
502 20 38-01	AB		503 70 07-01	K		505 31 67-45	N				
502 20 40-01	G		503 70 29-01	K		505 31 67-54	N				
502 20 49-01	A		503 70 55-01	K		505 31 67-82	N				
502 20 65-01	G		503 70 80-01	A		505 52 01-10	N				
502 20 69-01	B		503 71 22-01	DF		505 52 01-25	N				
502 20 88-01	D		503 71 34-02	D		505 52 01-27	N				
502 21 06-01	H		503 71 40-01	E		505 02 81-01	N				
502 21 07-22	M		503 71 43-01	A		530 01 41-99	H				
502 21 10-02	H		503 71 43-02	A		530 01 52-26	L				
502 21 12-01	B		503 71 48-01	K		530 03 51-39	N				
502 21 23-01	G		503 71 52-01	A		530 03 51-73	N				
502 21 25-06	M		503 71 54-01	A		530 03 71-60	M				
502 21 25-07	M		503 71 57-01	C		530 04 20-58	L				
502 21 25-08	M		503 71 58-01	C		530 04 20-59	L				
502 21 25-09	M		503 71 59-01	G		725 23 78-51	A				
502 21 25-10	M		503 71 60-01	G		725 23 81-51	B				
502 21 26-06	C		503 71 63-01	G		725 53 72-55	H				
502 21 26-07	C		503 71 64-01	J		731 23 14-01	AG				
502 21 26-08	C		503 71 65-01	J		735 31 11-00	K				
502 21 26-09	C		503 71 66-01	J		735 31 25-10	K				
502 21 26-10	C		503 71 67-01	J		735 31 31-10	K				
502 21 27-01	F		503 71 68-01	J		737 44 08-00	D				
502 21 32-01	N		503 71 74-01	J		738 21 99-00	K				
502 21 33-01	N		503 72 10-01	B		738 22 01-19	K				
502 21 34-01	N		503 72 11-01	B							
502 21 35-01	N		503 72 12-01	A							
502 21 36-01	N		503 72 13-01	A							
502 21 37-01	N		503 72 14-01	A							
502 21 38-01	N		503 72 15-01	A							
502 21 39-01	N		503 72 18-01	A							
502 21 57-03	E		503 72 24-01	A							
502 21 58-01	P		503 72 25-01	A							
502 21 61-02	J		503 72 29-01	B							
502 21 80-01	A		503 72 43-03	B							
502 21 92-03	K		503 72 44-01	F							
502 26 12-01	P		503 72 45-01	D							
502 51 27-01	P		503 72 49-01	P							
503 09 83-02	A		503 72 77-01	A							
503 10 47-01	N		503 73 40-01	P							
503 10 87-01	N		503 73 41-02	P							
503 11 70-01	N		503 73 42-01	A							
503 20 02-20	K		503 73 43-01	A							

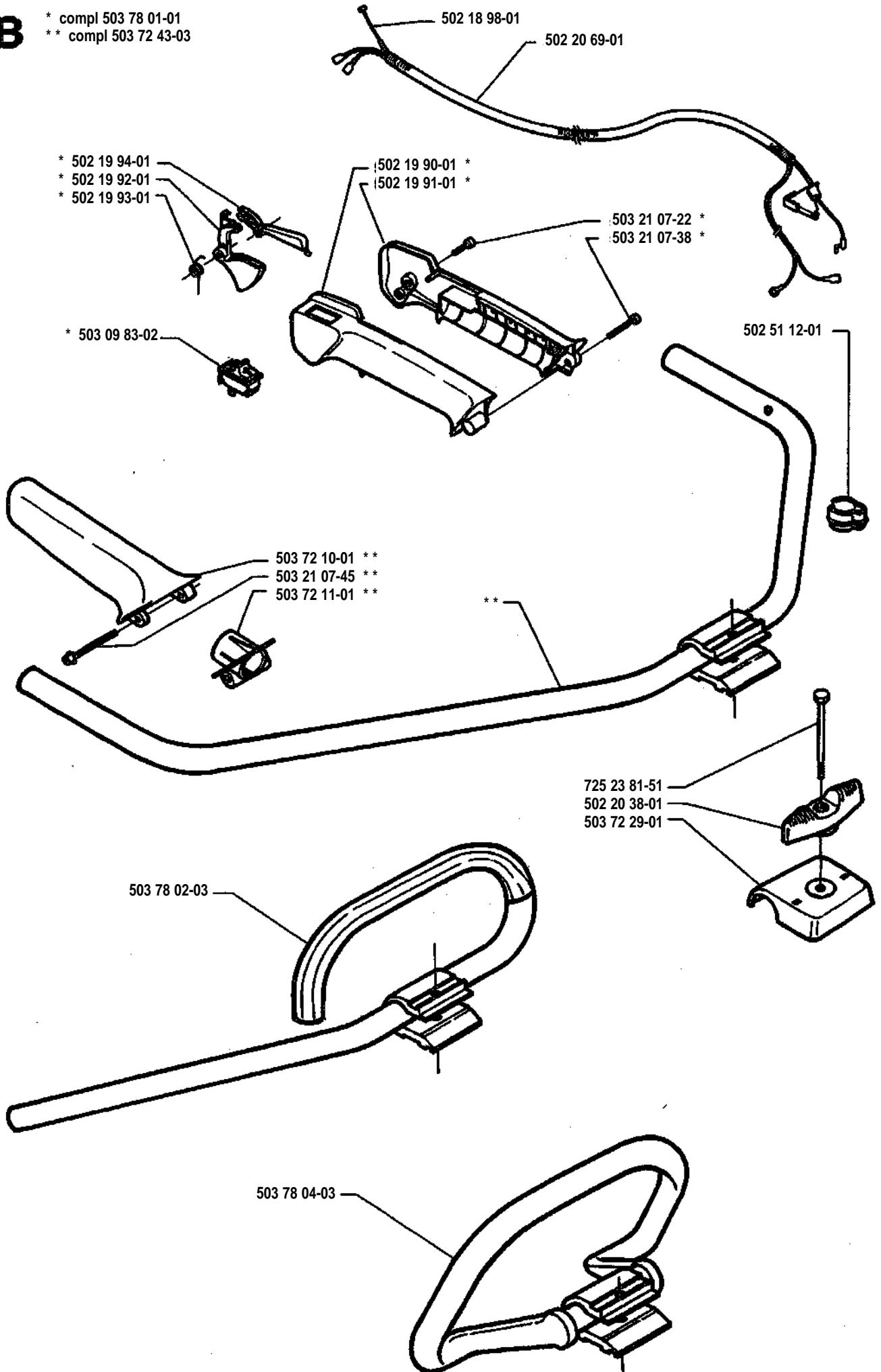
**A**

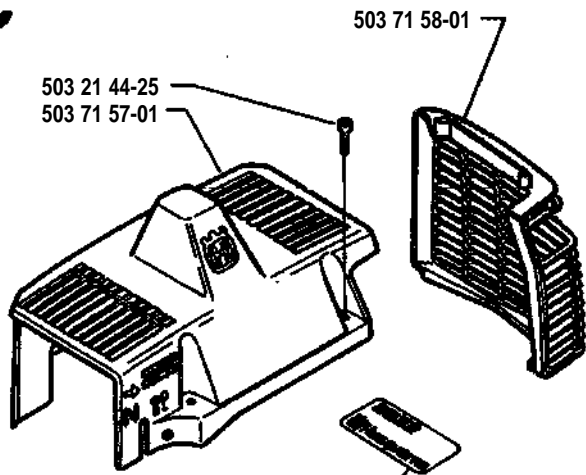
\* compl 503 78 05-01



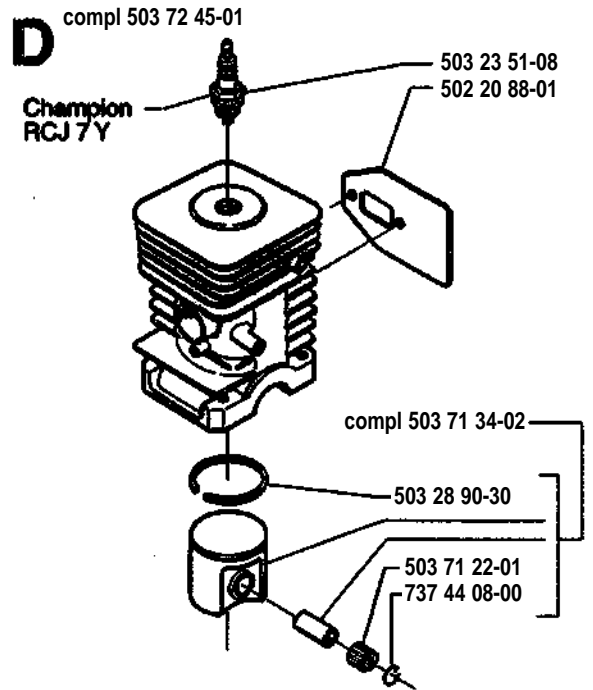
**B**

\* compl 503 78 01-01  
\*\* compl 503 72 43-03

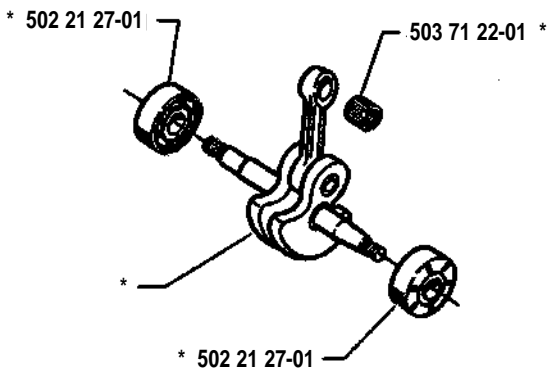
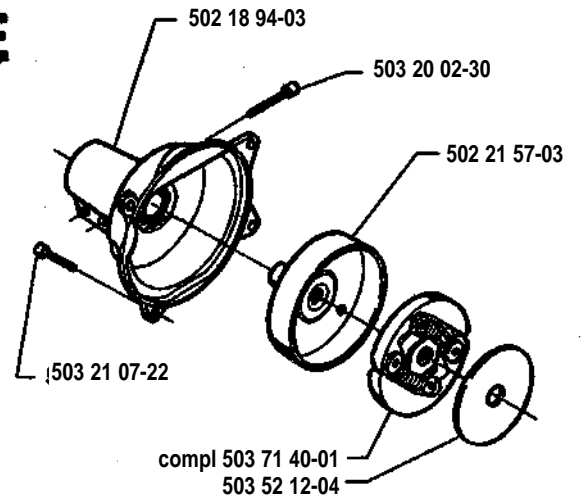


**C**

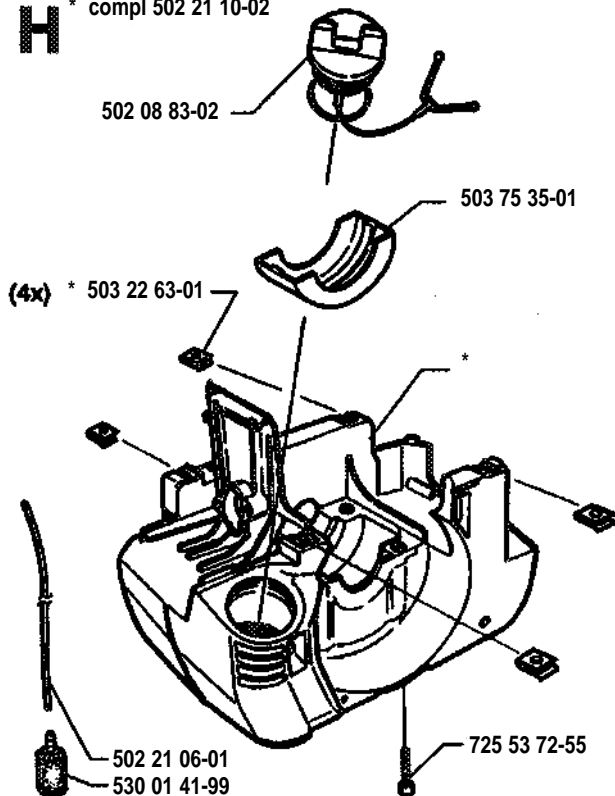
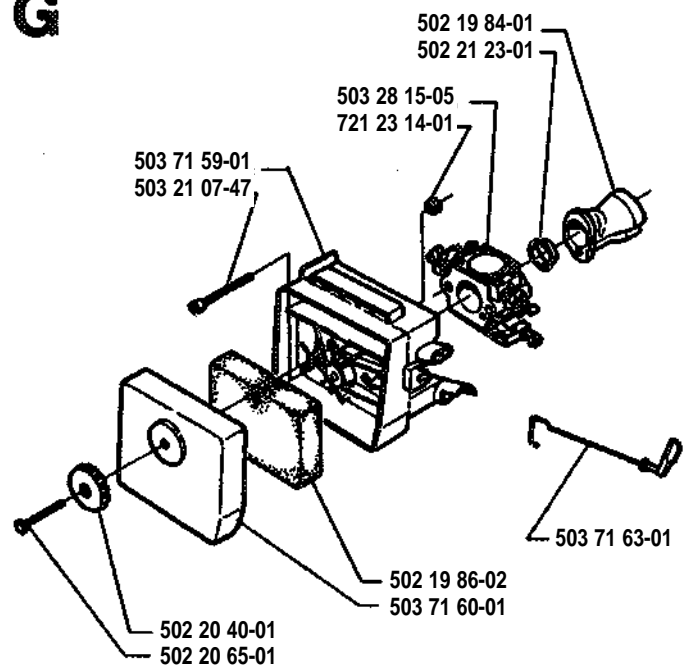
502 21 26-06  
502 21 26-07  
502 21 26-08  
502 21 26-09  
502 21 26-10

**D****F**

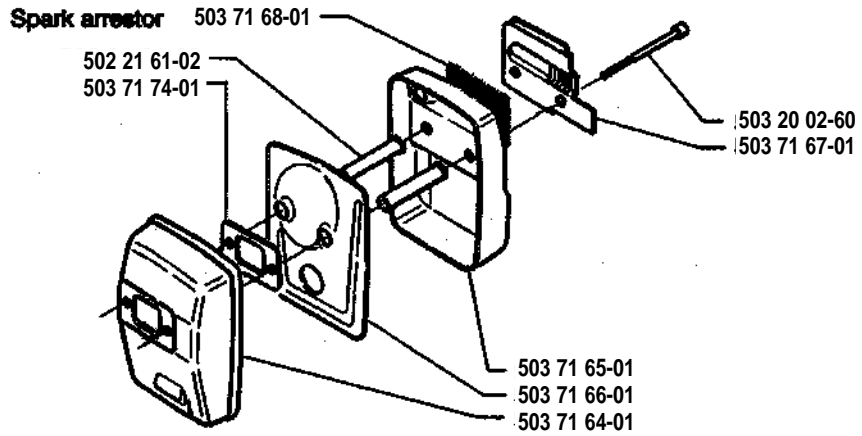
\* compl 503 77 44-01

**E****H**

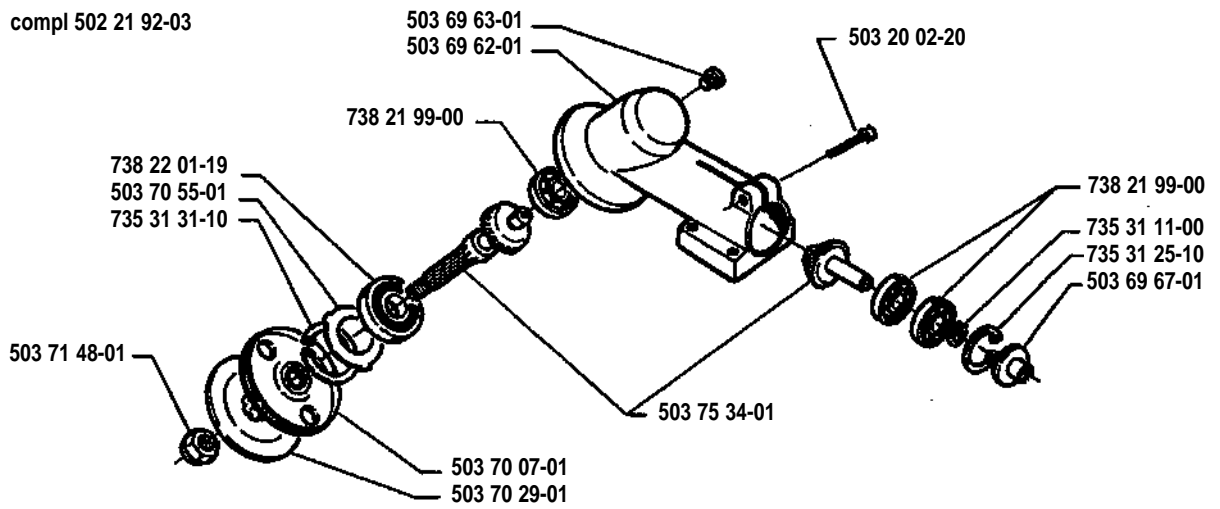
\* compl 502 21 10-02

**G**

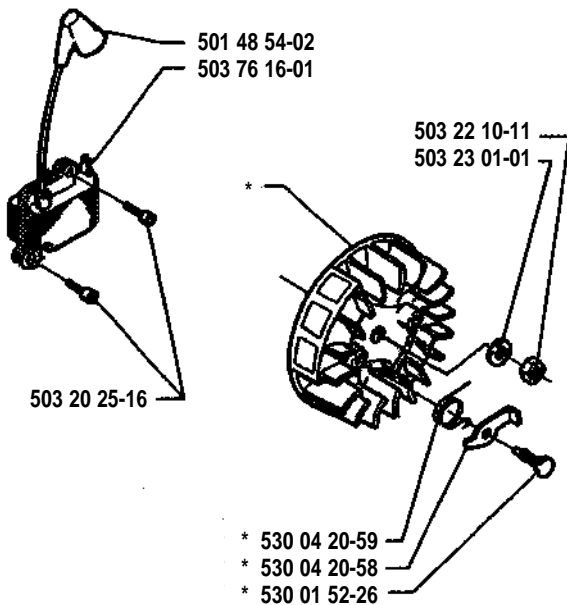
**J** compl 503 78 03-01



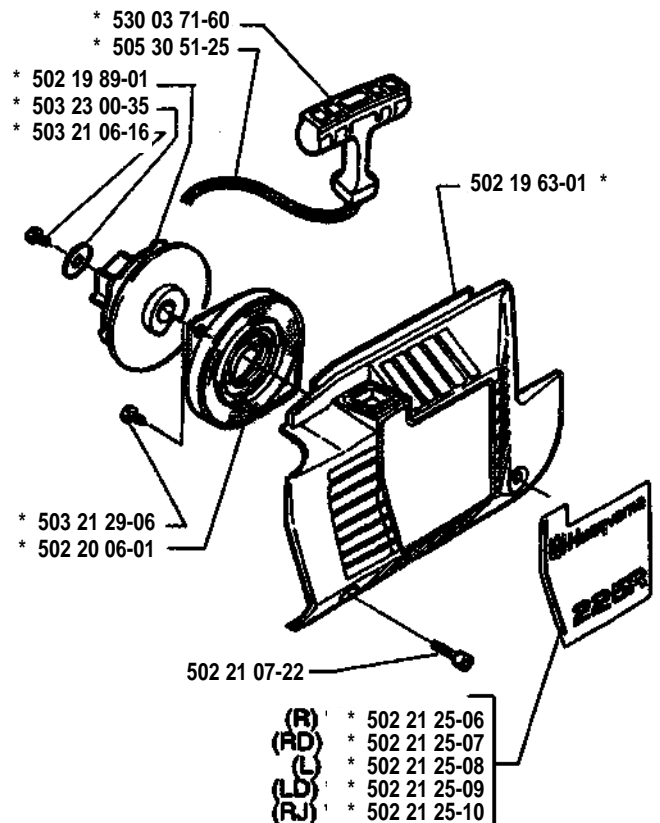
**K** compl 502 21 92-03



**L** \* compl 502 19 59-01

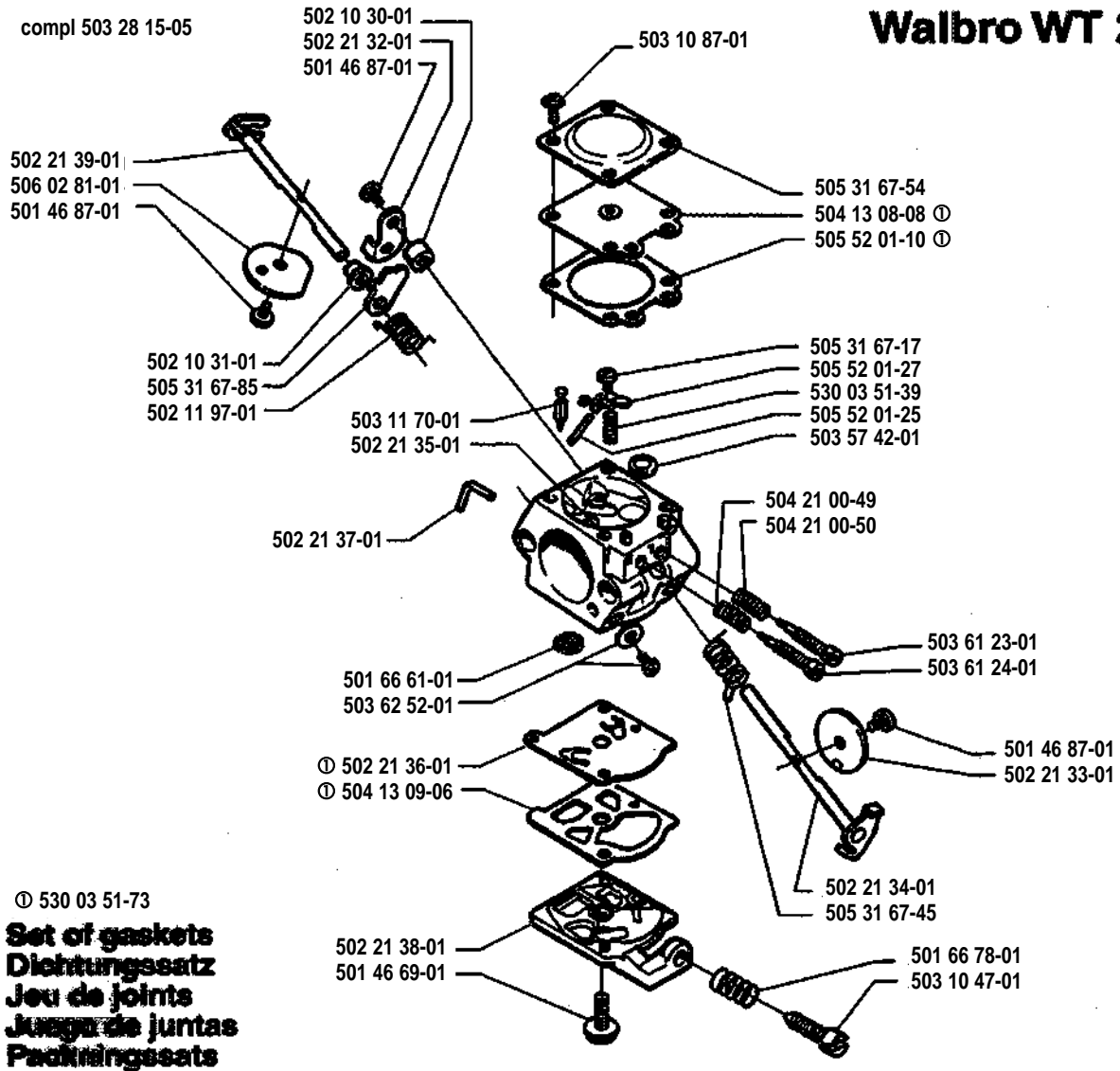


**M** \* compl 502 18 95-01



**N**

compl 503 28 15-05

**Walbro WT 235****P**

**Accessories**  
**Zubehöre**  
**Accessoires**  
**Accesorios**  
**Tillbehör**

compl 503 73 63-03  
compl 503 73 63-04 (USA)

