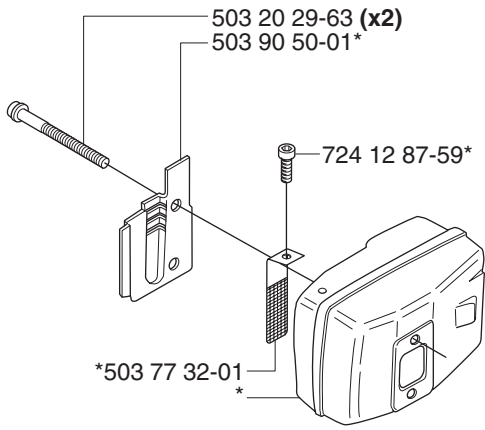


225H60

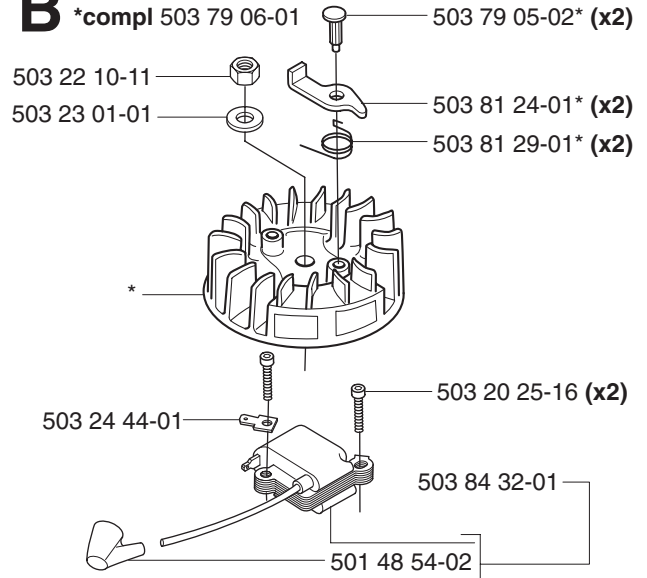
225H75

Spare parts
Ersatzteile
Pièces détachées
Reserve onderdelen
Repuestos
Reservdelar

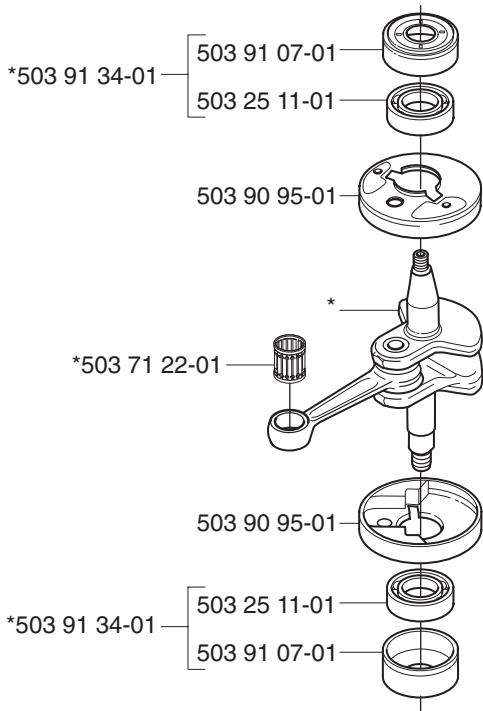
A *compl 503 90 48-01



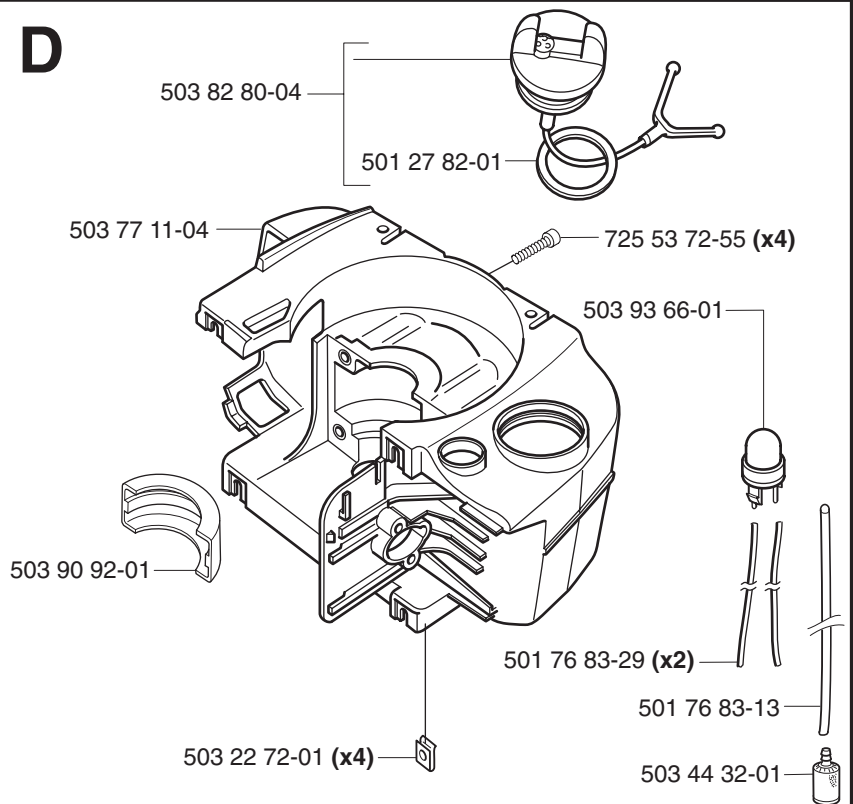
B *compl 503 79 06-01



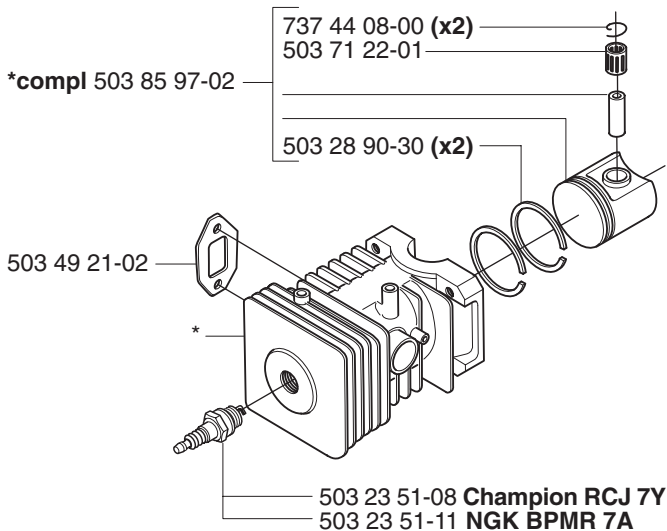
C *compl 503 72 44-04



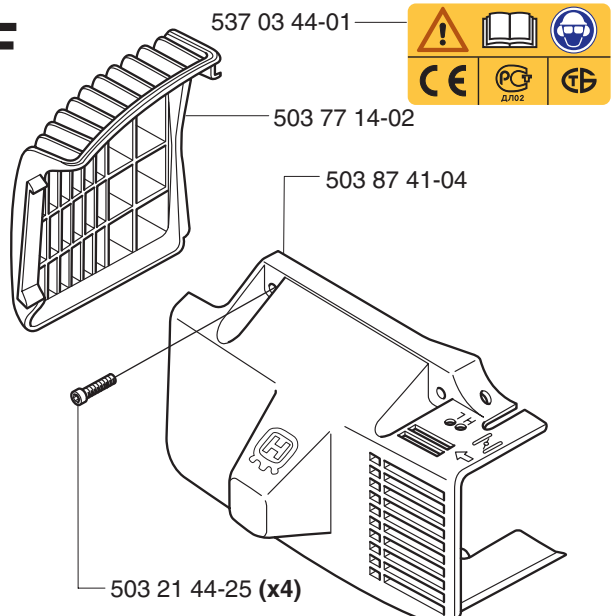
D



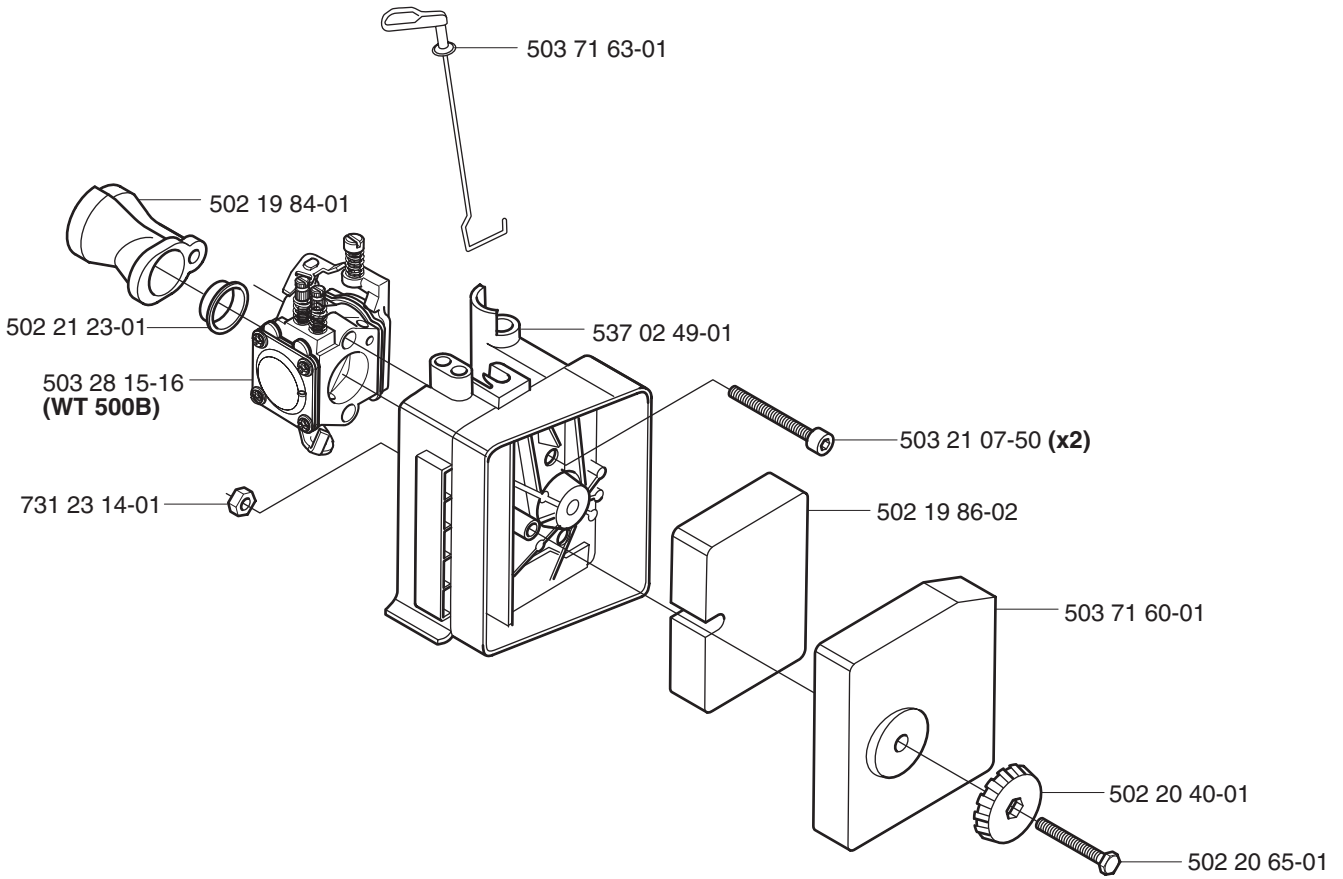
E *compl 503 89 94-01



F

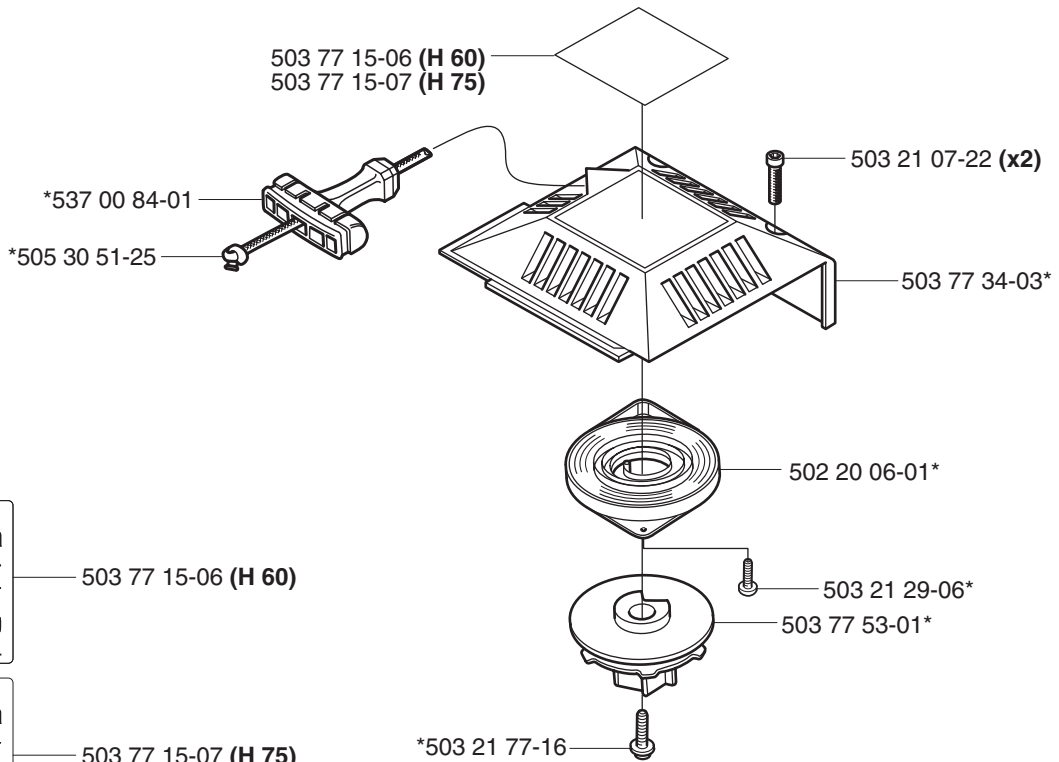


G



H

*compl 503 77 34-02



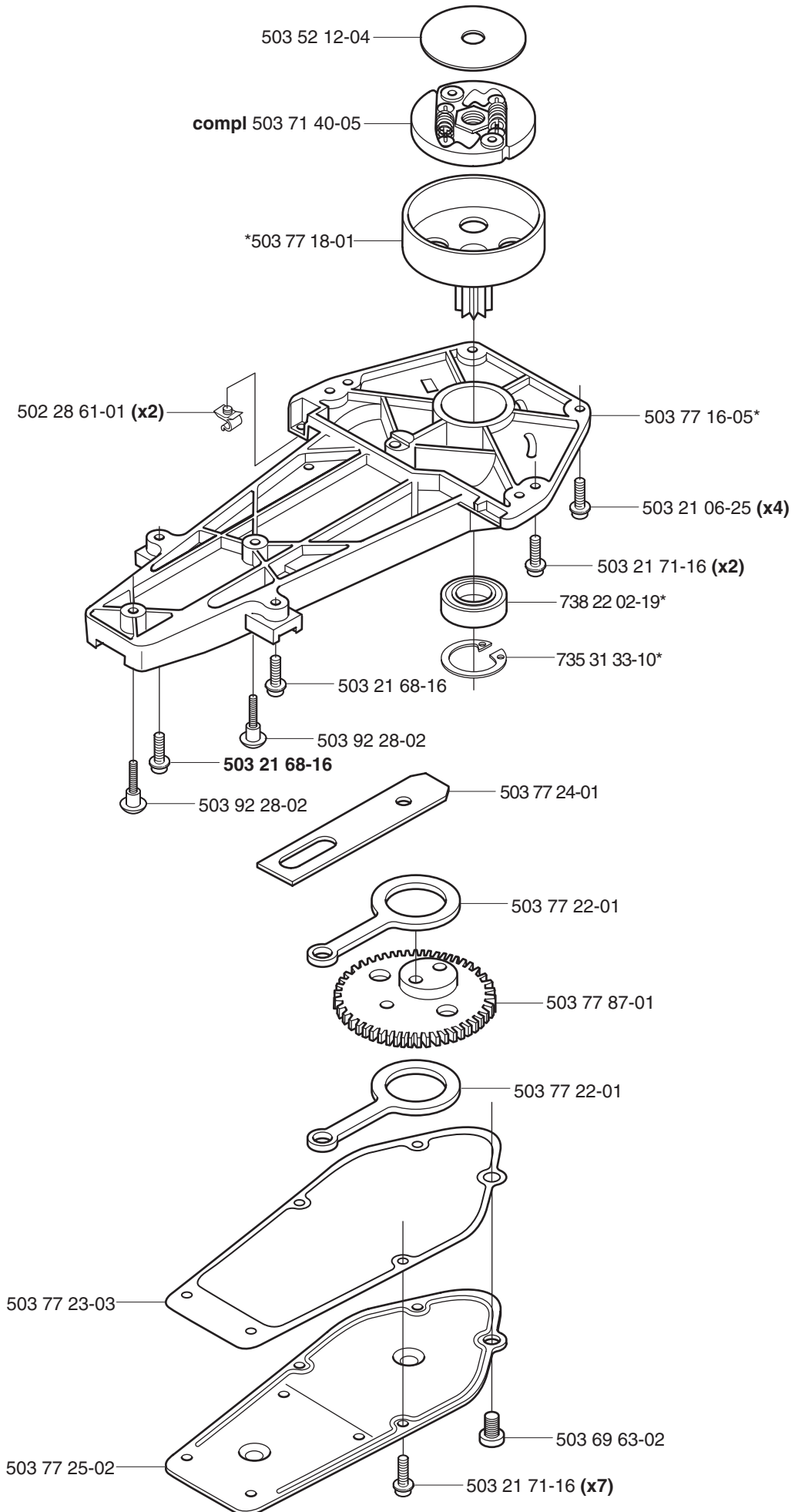
503 77 15-06 (H 60)



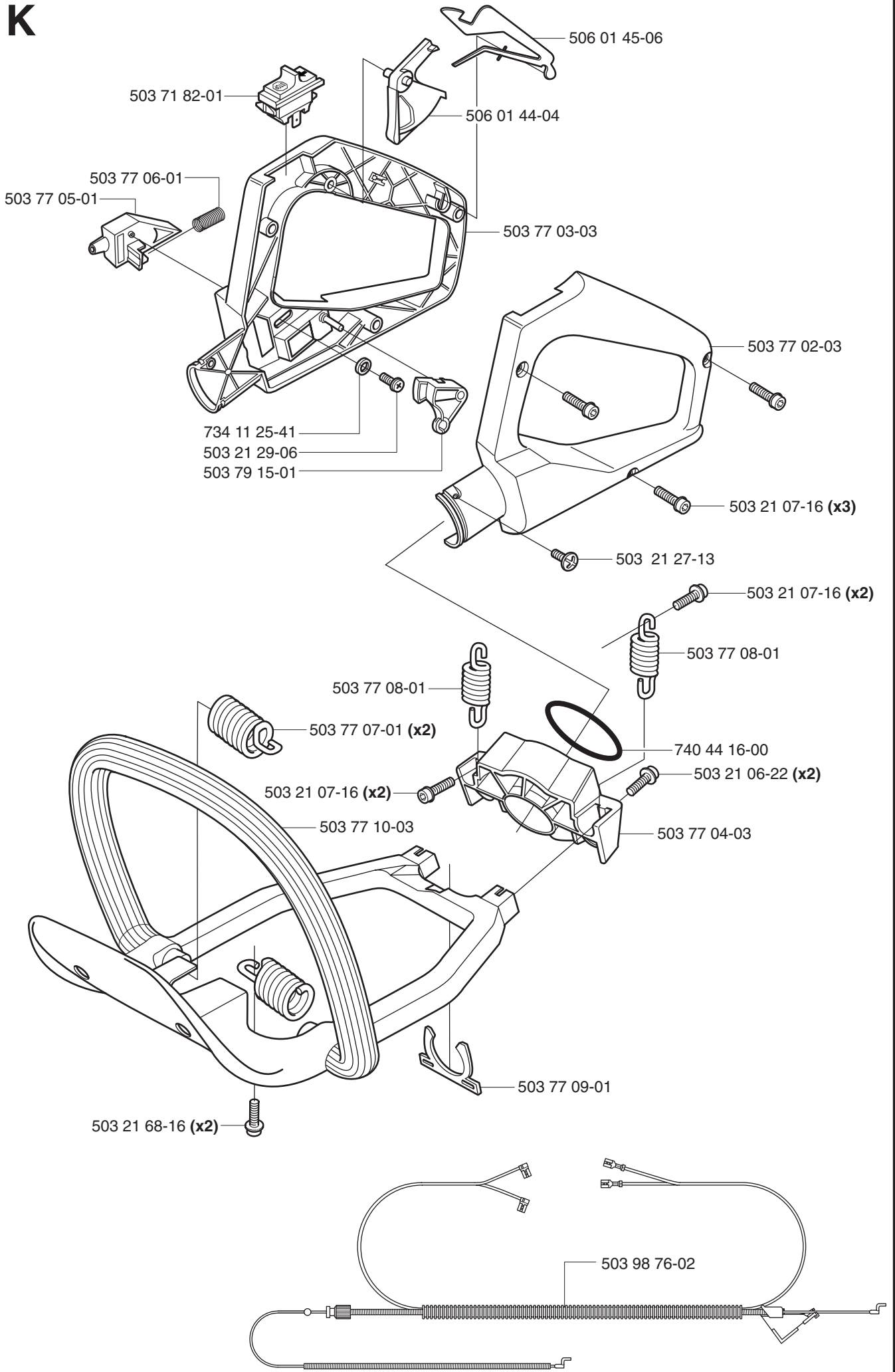
503 77 15-07 (H 75)

J

*compl 503 77 16-06

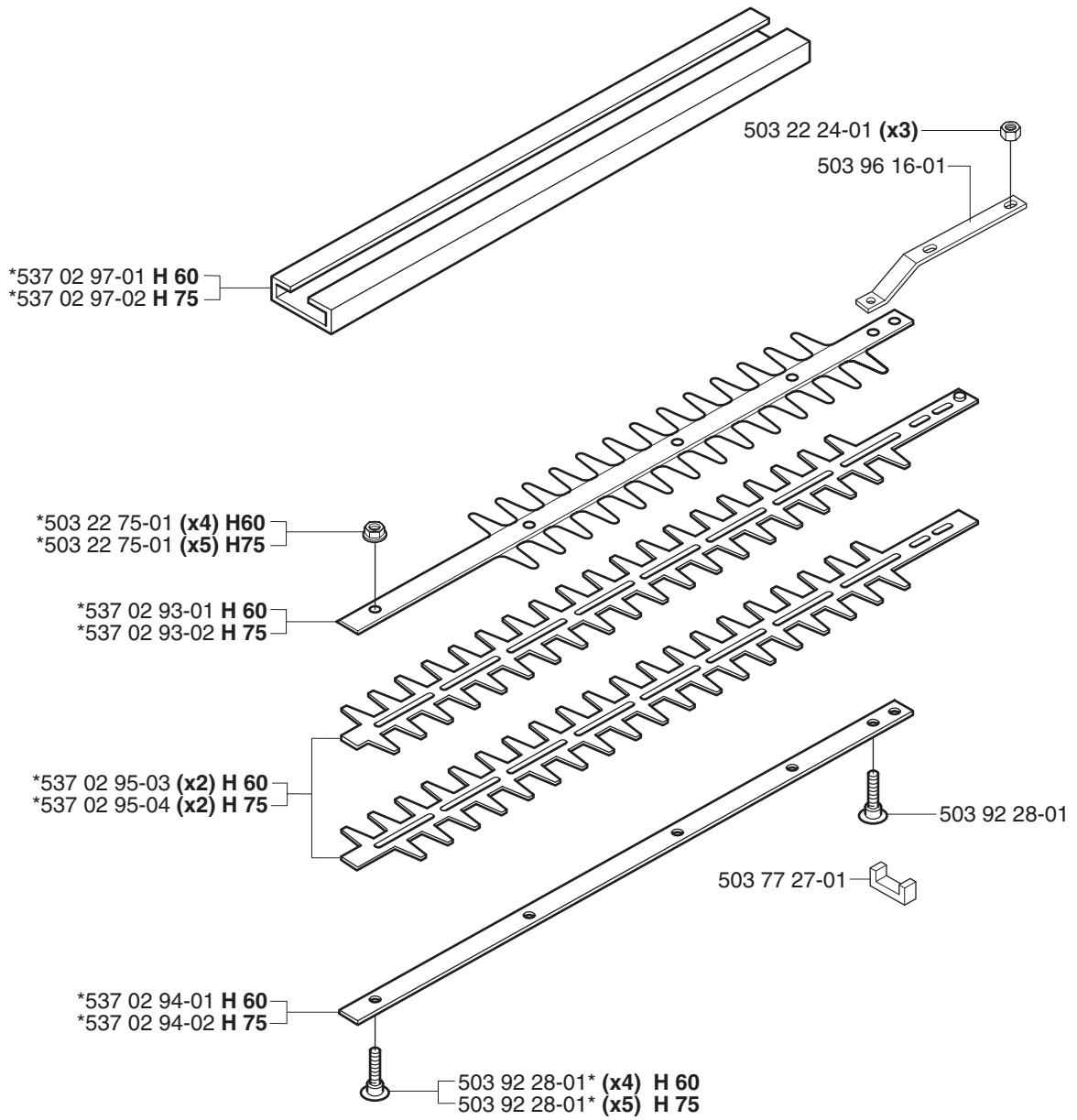


K



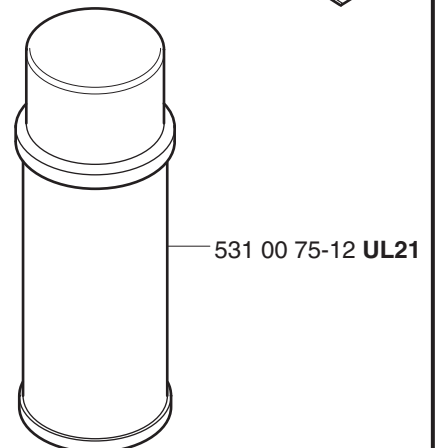
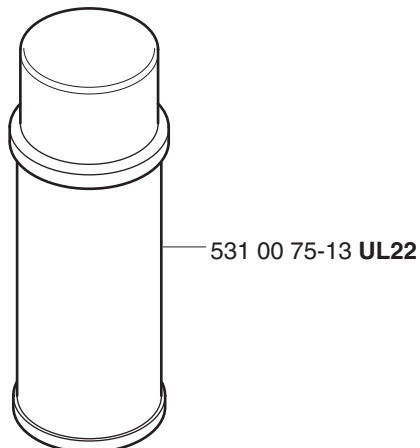
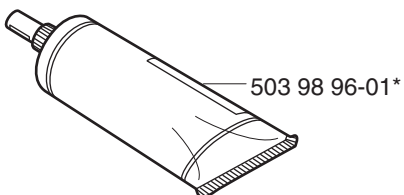
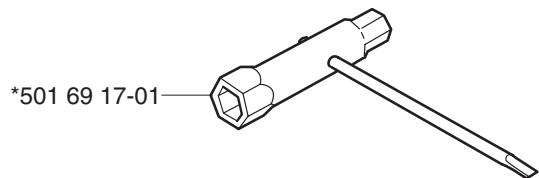
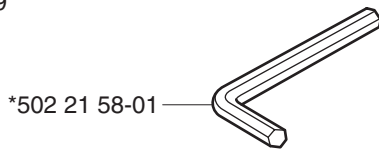
L

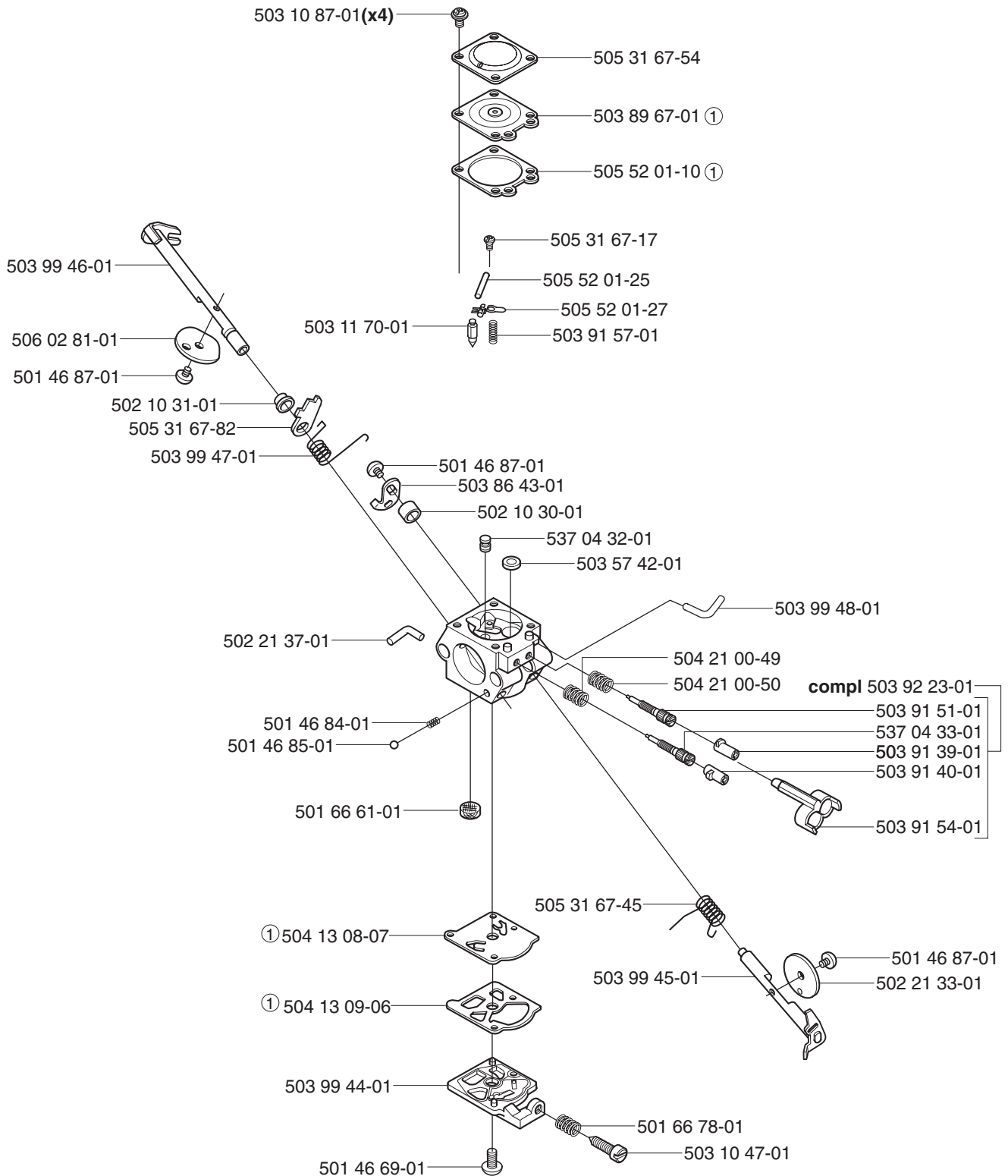
*compl 537 02 96-03 H 60
 *compl 537 02 96-04 H 75

**M**

*compl 502 21 60-09

Accessories
Zubehöre
Accessoires
Accesorios
Tillbehör





① 530 03 51-73

Set of gaskets
Dichtungssatz
Jeu de joints
Juego de juntas
Packningssats

225H60, 225H75

PART NUMBER	SQUARE	NOTE	PART NUMBER	SQUARE	NOTE	PART NUMBER	SQUARE	NOTE	PART NUMBER	SQUARE	NOTE
501 27 82-01	D		503 77 10-03	K		531 00 75-13	M	N			
501 46 69-01	N		503 77 11-04	D		537 00 84-01	H	N			
501 46 84-01	N		503 77 14-02	F		537 02 49-01	G	N			
501 46 85-01	N		503 77 15-06	H		537 02 93-01	L	N			
501 46 87-01	N		503 77 15-07	H		537 02 93-02	L	N			
501 48 54-02	B		503 77 16-05	J		537 02 94-01	L	N			
501 66 61-01	N		503 77 16-06	J		537 02 94-02	L	N			
501 66 78-01	N		503 77 18-01	J		537 02 95-03	L	N			
501 69 17-01	M		503 77 22-01	J		537 02 95-04	L	N			
501 76 83-13	D		503 77 23-03	J		537 02 96-03	L	N			
501 76 83-29	D		503 77 24-01	J		537 02 96-04	L	N			
502 10 30-01	N		503 77 25-02	J		537 02 97-01	L	N			
502 10 31-01	N		503 77 27-01	L		537 02 97-02	L	N			
502 19 84-01	G		503 77 32-01	A		537 03 44-01	F	N			
502 19 86-02	G		503 77 34-02	H	N	537 04 32-01	N	N			
502 20 06-01	H		503 77 34-03	H	N	537 04 33-01	N	N			
502 20 40-01	G		503 77 53-01	H		724 12 87-59	A	N			
502 20 65-01	G	N	503 77 87-01	J		725 53 72-55	D				
502 21 23-01	G		503 79 05-02	B		731 23 14-01	G				
502 21 33-01	N		503 79 06-01	B		734 11 25-41	K				
502 21 37-01	N		503 79 15-01	K		735 31 33-10	J				
502 21 58-01	M		503 81 24-01	B		737 44 08-00	E				
502 21 60-09	M		503 81 29-01	B		738 22 02-19	J				
502 28 61-01	J		503 82 80-04	D		740 44 16-00	K				
503 10 47-01	N		503 84 32-01	B							
503 10 87-01	N		503 85 97-02	E							
503 11 70-01	N		503 86 43-01	N							
503 20 25-16	B		503 87 41-04	F	N						
503 20 29-63	A	N	503 89 67-01	N							
503 21 06-22	K	N	503 89 94-01	E	N						
503 21 06-25	J		503 90 48-01	A							
503 21 07-16	K		503 90 50-01	A							
503 21 07-22	H		503 90 92-01	D							
503 21 07-50	G		503 90 95-01	C							
503 21 27-13	K		503 91 07-01	C							
503 21 29-06	HK		503 91 34-01	C							
503 21 44-25	F		503 91 39-01	N							
503 21 68-16	JK	N	503 91 40-01	N							
503 21 71-16	J		503 91 51-01	N							
503 21 77-16	H	N	503 91 54-01	N							
503 22 10-11	B		503 91 57-01	N							
503 22 24-01	L		503 92 23-01	N							
503 22 72-01	D		503 92 28-01	L							
503 22 75-01	L		503 92 28-02	J							
503 23 01-01	B		503 93 66-01	D							
503 23 51-08	E		503 96 16-01	L							
503 23 51-11	E		503 98 76-02	K	N						
503 24 44-01	B		503 98 96-01	M							
503 25 11-01	C	N	503 99 44-01	N							
503 28 15-16	GN		503 99 45-01	N							
503 28 90-30	E		503 99 46-01	N							
503 44 32-01	D		503 99 47-01	N							
503 49 21-02	E		503 99 48-01	N							
503 52 12-04	J		504 13 08-07	N							
503 57 42-01	N		504 13 09-06	N							
503 69 63-02	J		504 21 00-49	N							
503 71 22-01	CE		504 21 00-50	N							
503 71 40-05	J		505 30 51-25	H							
503 71 60-01	G		505 31 67-17	N							
503 71 63-01	G		505 31 67-45	N							
503 71 82-01	K		505 31 67-54	N							
503 72 44-04	C		505 31 67-82	N							
503 77 02-03	K	N	505 52 01-10	N							
503 77 03-03	K	N	505 52 01-25	N							
503 77 04-03	K		505 52 01-27	N							
503 77 05-01	K		506 01 44-04	K							
503 77 06-01	K		506 01 45-06	K							
503 77 07-01	K		506 02 81-01	N							
503 77 08-01	K		530 03 51-73	N							
503 77 09-01	K		531 00 75-12	M	N						

N = New part, Neues teil,
Nouvelle piece, Nueva pieza
Ny detalj