

227L,LD,R,RD

Spare parts

Ersatzteile

Pièces détachées

Reserve onderdelen

Repuestos

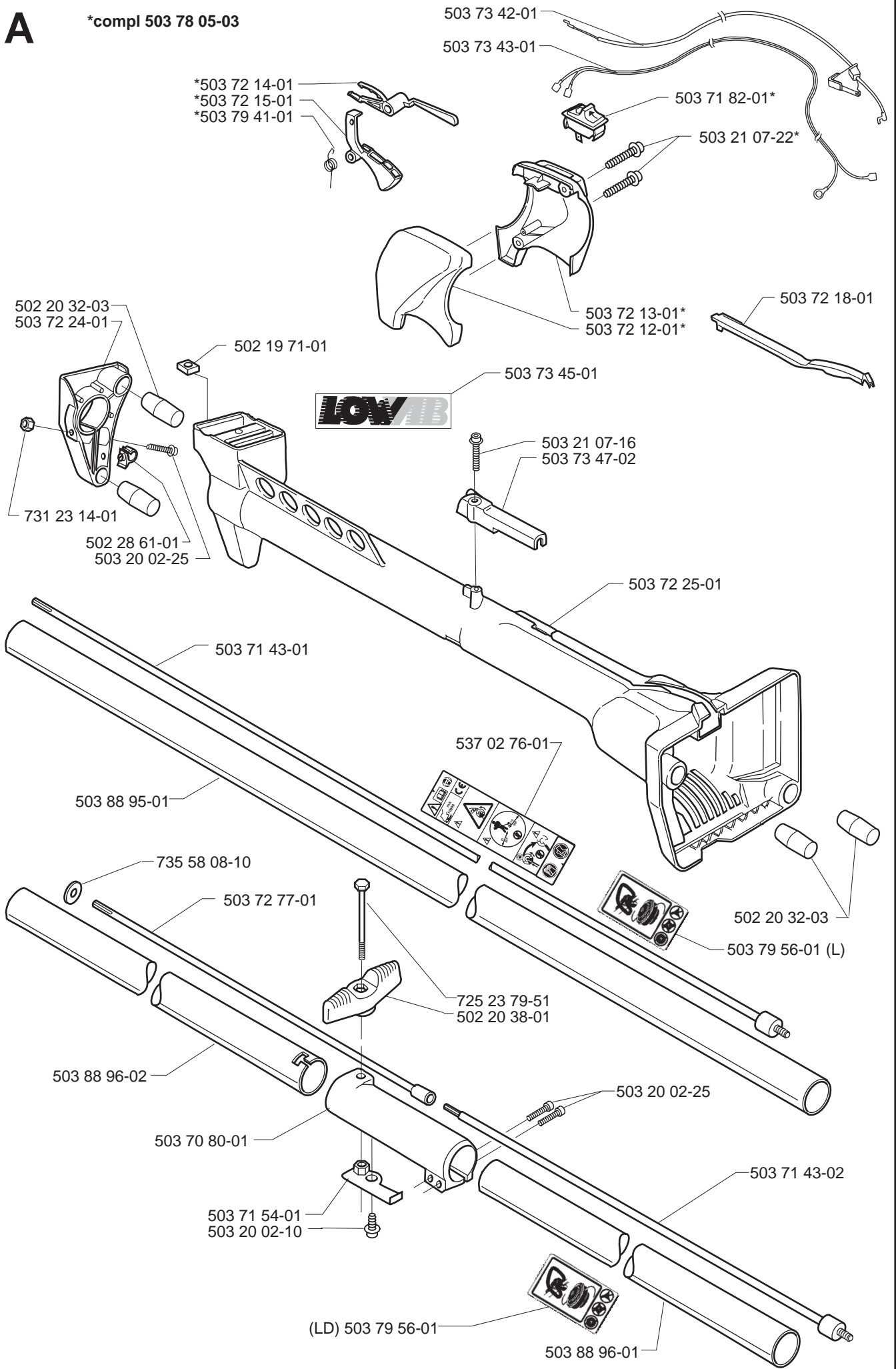
Reservdelar

Part number	Square	Note	Part number	Square	Note	Part number	Square	Note	Part number	Square	Note
501 27 82-01	H		503 23 00-35	M		503 88 96-01	A				
501 46 69-01	N		503 23 01-01	L		503 88 96-02	A				
501 46 84-01	N		503 23 51-08	D		503 89 01-01	P				
501 46 85-01	N		503 24 44-01	L		503 89 67-01	N				
501 46 87-01	N		503 28 90-27	D		503 90 38-01	J				
501 48 54-02	L		503 44 32-01	H		503 90 40-03	J				
501 60 02-02	P		503 49 21-02	D		503 90 60-01	C				
501 66 61-01	N		503 52 12-04	E		503 90 92-01	H				
501 66 78-01	N		503 52 42-01	N		503 90 95-01	F				
502 03 55-05	P		503 69 63-01	K		503 91 07-01	F				
502 10 30-01	N		503 69 67-01	K		503 91 25-01	J				
502 10 31-01	N		503 70 07-01	K		503 91 34-01	F				
502 11 46-02	P		503 70 29-02	K		503 91 39-01	N				
502 18 94-03	E		503 70 55-01	K		503 91 40-01	N				
502 18 95-01	M		503 70 80-01	A		503 91 51-01	N				
502 18 98-01	B		503 71 22-01	DF		503 91 54-01	N				
502 19 58-03	B		503 71 40-01	E		503 91 57-01	N				
502 19 63-01	M		503 71 43-01	A		503 91 58-01	N				
502 19 71-01	A		503 71 43-02	A		503 92 23-01	N				
502 19 84-01	G		503 71 48-01	K		503 93 66-01	G				
502 19 86-02	G		503 71 54-01	A		503 98 81-01	H				
502 19 90-03	B		503 71 60-01	G		503 99 44-01	N				
502 19 91-05	B		503 71 63-01	G		503 99 45-01	N				
502 19 92-01	B		503 71 82-01	AB		503 99 46-01	N				
502 19 94-01	B		503 72 10-03	B		503 99 47-01	N				
502 20 06-01	M		503 72 12-01	A		503 99 48-01	N				
502 20 32-03	A		503 72 13-01	A		504 13 08-07	N				
502 20 38-01	AB		503 72 14-01	A		504 13 09-06	N				
502 20 40-01	G		503 72 15-01	A		504 21 00-49	N				
502 20 65-01	G		503 72 18-01	A		504 21 00-50	N	N			
502 20 69-01	B		503 72 24-01	A		505 30 51-25	M				
502 21 12-01	B		503 72 25-01	A		505 31 67-17	N				
502 21 23-01	G		503 72 29-01	B		505 31 67-45	N				
502 21 25-35	M	N	503 72 43-03	B		505 31 67-54	N				
502 21 25-36	M	N	503 72 44-03	F		505 31 67-82	N				
502 21 25-37	M	N	503 72 49-01	P		505 52 01-10	N				
502 21 25-38	M	N	503 72 77-01	A		505 52 01-25	N				
502 21 32-01	N		503 73 40-01	P		505 52 01-27	N				
502 21 33-01	N		503 73 41-02	P		506 02 81-01	N				
502 21 35-01	N		503 73 42-01	A		530 03 51-73	N				
502 21 37-01	N		503 73 43-01	A		537 00 75-02	D	N			
502 21 57-03	E		503 73 45-01	A		537 00 84-01	M				
502 21 58-01	P		503 73 47-02	A		537 02 49-01	G				
502 21 60-01	P		503 73 63-03	P		537 02 60-01	C				
502 21 92-04	K		503 73 63-04	P		537 02 60-02	C				
502 26 12-01	P		503 74 16-01	P		537 02 76-01	A				
502 26 23-01	P		503 74 16-02	P		537 03 36-02	C	N			
502 28 59-01	P		503 74 29-01	P		537 03 36-03	C	N			
502 28 61-01	A		503 74 40-01	P		537 03 36-04	C	N			
502 51 27-01	P		503 74 50-04	P		537 03 36-05	C	N			
503 10 47-01	N		503 75 00-01	B		537 03 76-01	C				
503 10 87-01	N		503 75 34-01	K		537 03 85-01	L				
503 11 70-01	N		503 75 59-01	A		537 03 95-01	D	N			
503 20 02-10	A		503 77 39-01	P		537 04 24-02	G				
503 20 02-20	K		503 77 53-01	M		537 04 24-03	G				
503 20 02-25	AK		503 77 63-01	P		537 04 24-04	H				
503 20 02-30	E		503 78 04-03	B		537 05 27-01	GN				
503 20 02-35	B		503 78 05-03	A		725 23 79-51	A				
503 20 25-16	L		503 79 05-02	L		725 23 81-51	B				
503 20 29-63	J		503 79 06-01	L		725 53 72-55	H				
503 21 06-16	M		503 79 41-01	AB		731 23 14-01	AG				
503 21 06-25	EM		503 79 56-01	A		731 71 14-51	G				
503 21 07-16	AP		503 79 88-01	P		735 31 11-00	K				
503 21 07-22	AB		503 80 45-01	B		735 31 25-10	K				
503 21 07-45	B		503 81 24-01	L		735 31 31-10	K				
503 21 29-06	M		503 81 29-01	L		735 58 08-10	A				
503 21 47-27	C		503 82 80-04	H		737 44 08-00	D				
503 22 10-11	L		503 84 00-02	H		738 21 99-00	K				
503 22 65-04	B		503 85 32-01	K		738 22 01-19	K				
503 22 72-01	H		503 88 95-01	A		738 22 01-25	F				

N= New Part
Neues Teil
Nouvelle Piece
Nueva Pieza
Ny Detalj

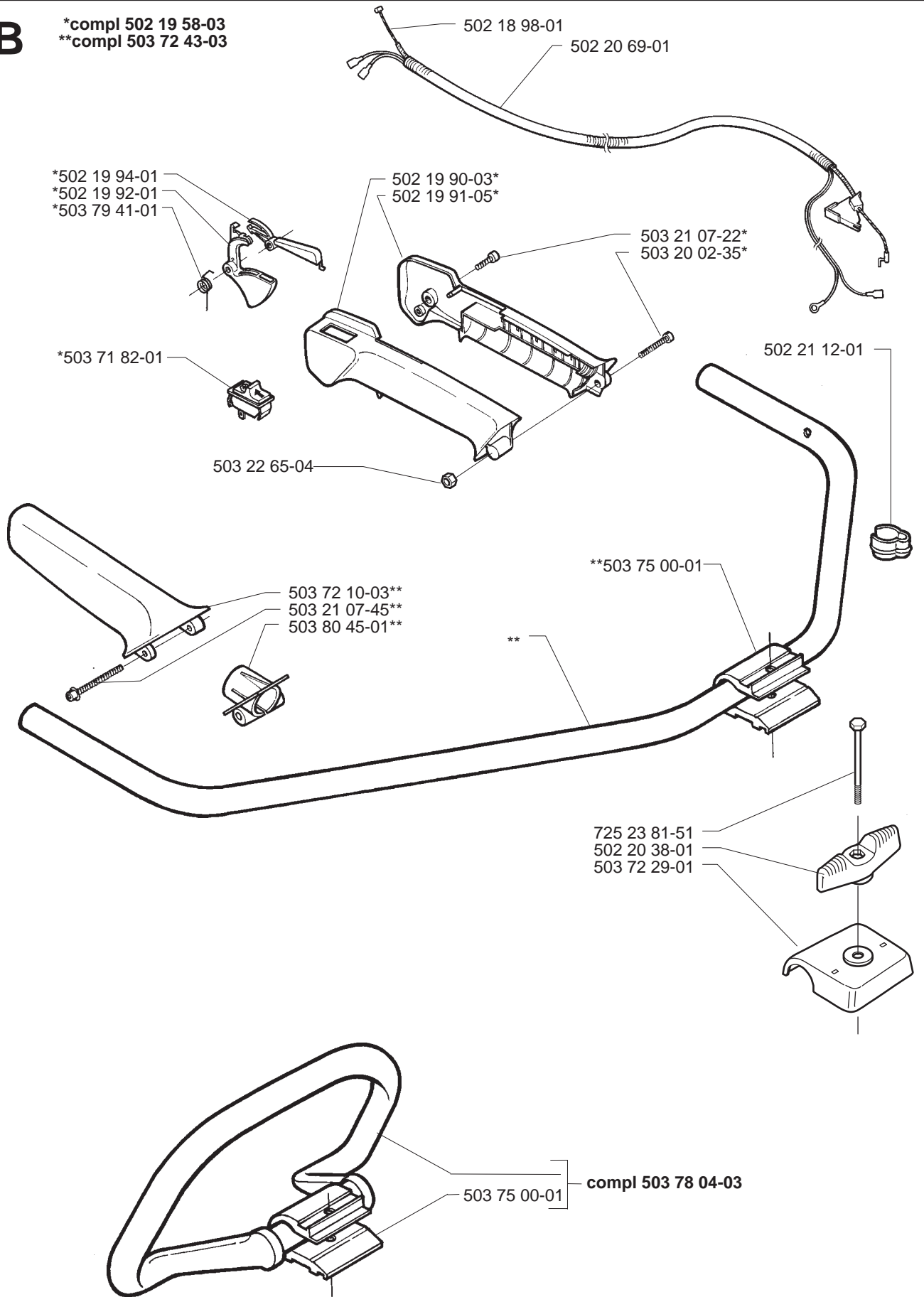
A

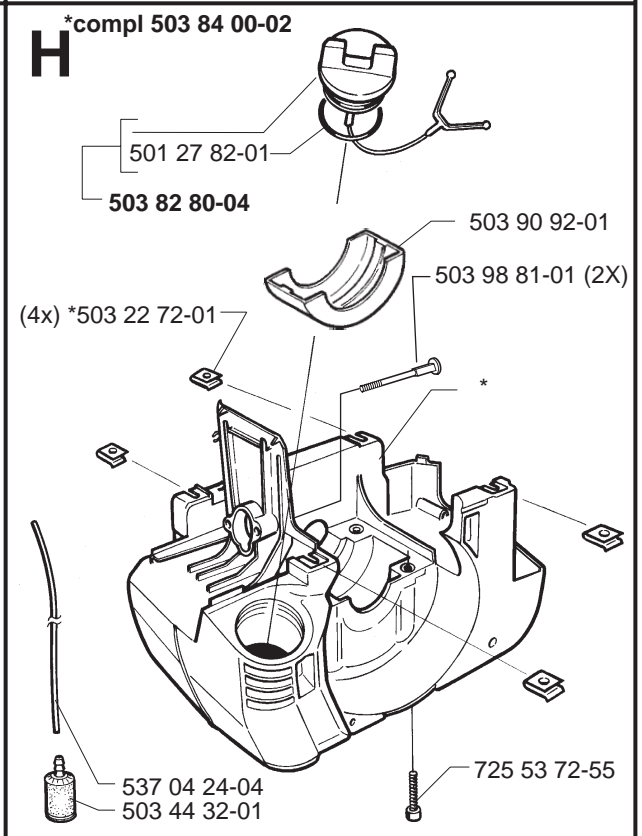
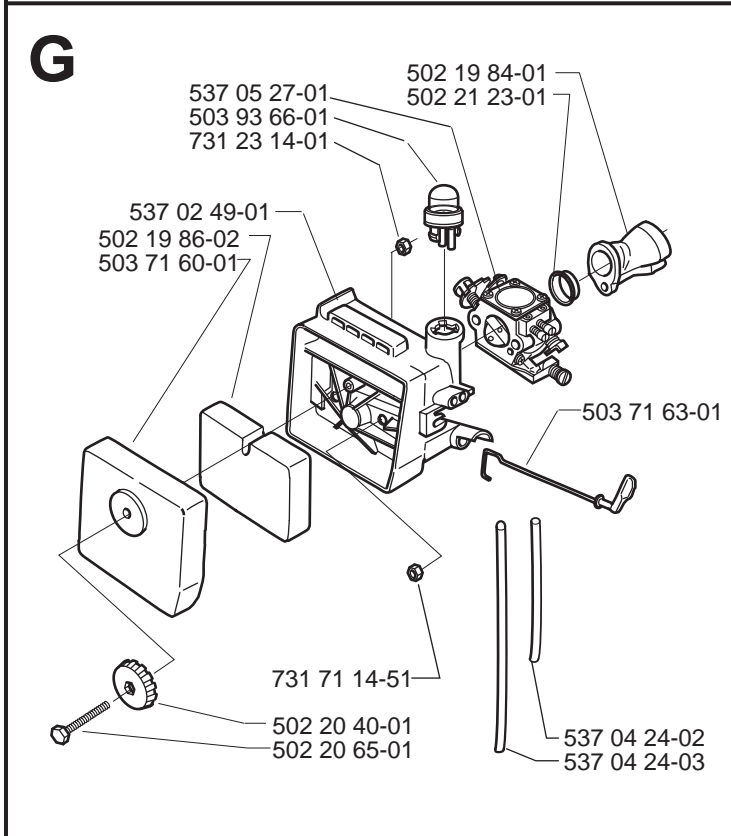
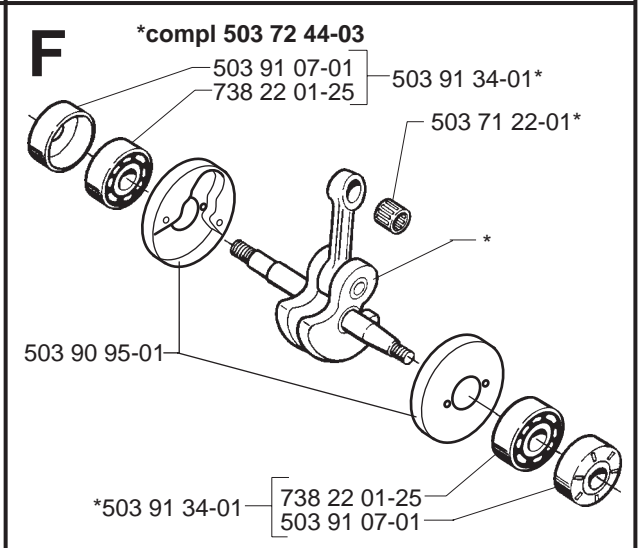
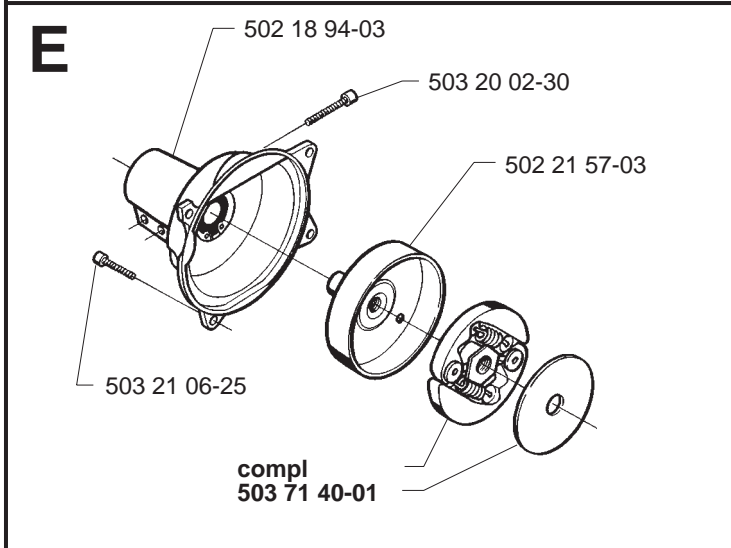
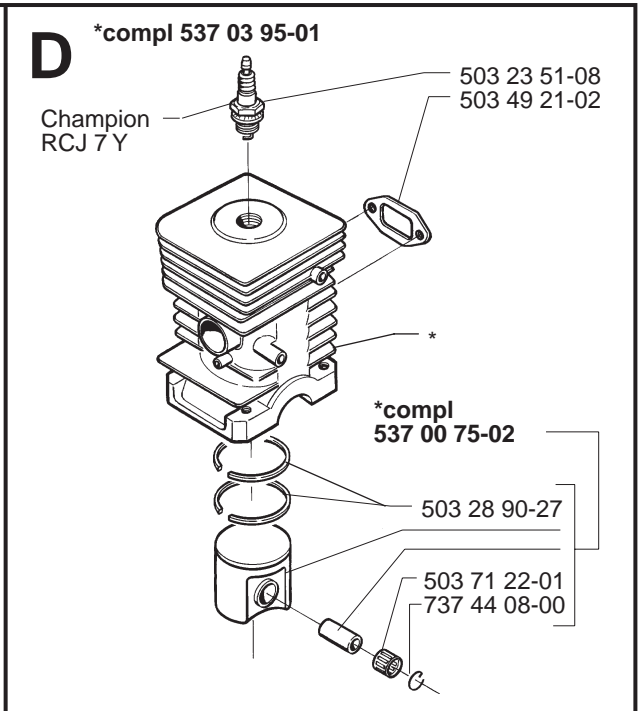
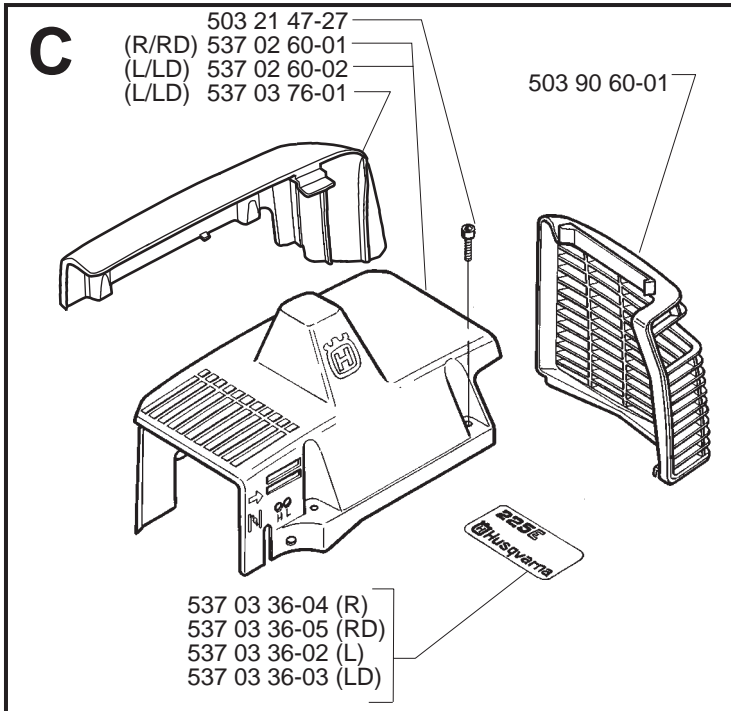
*compl 503 78 05-03

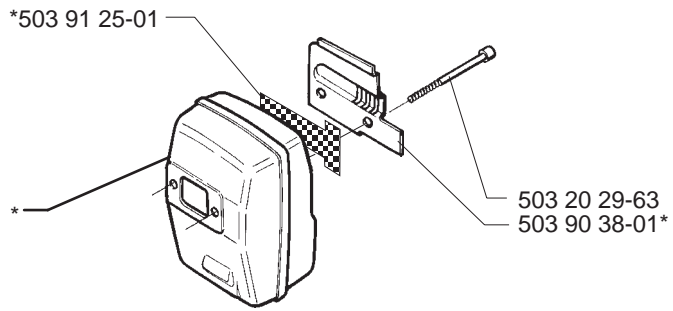
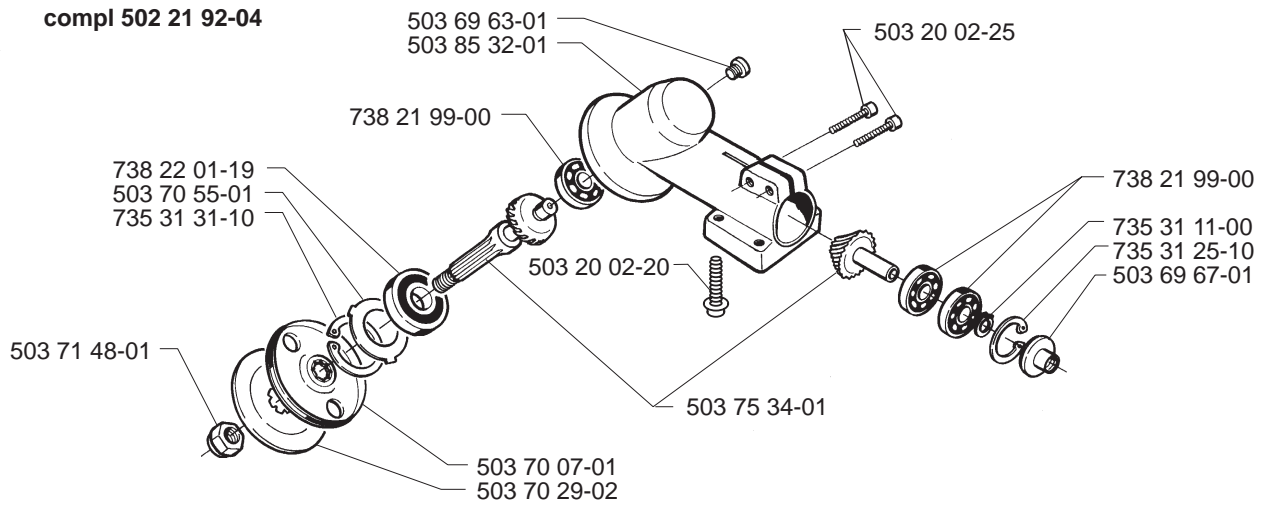
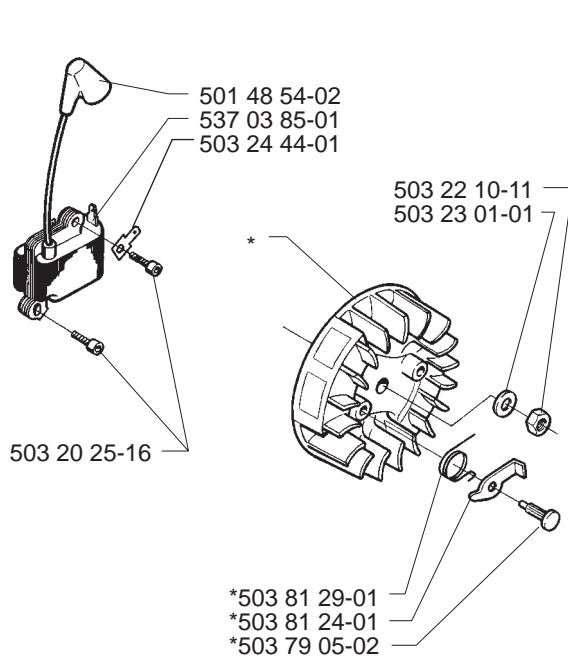
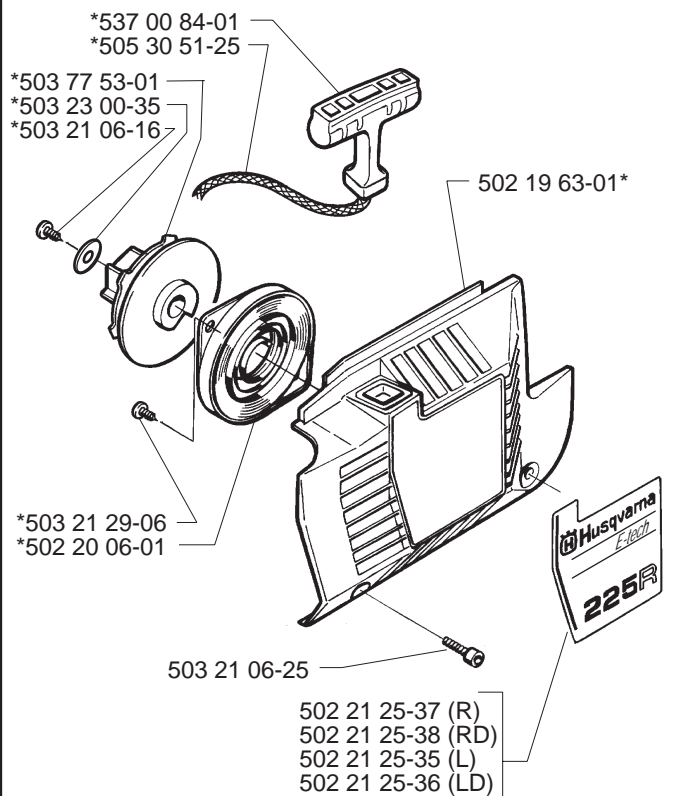


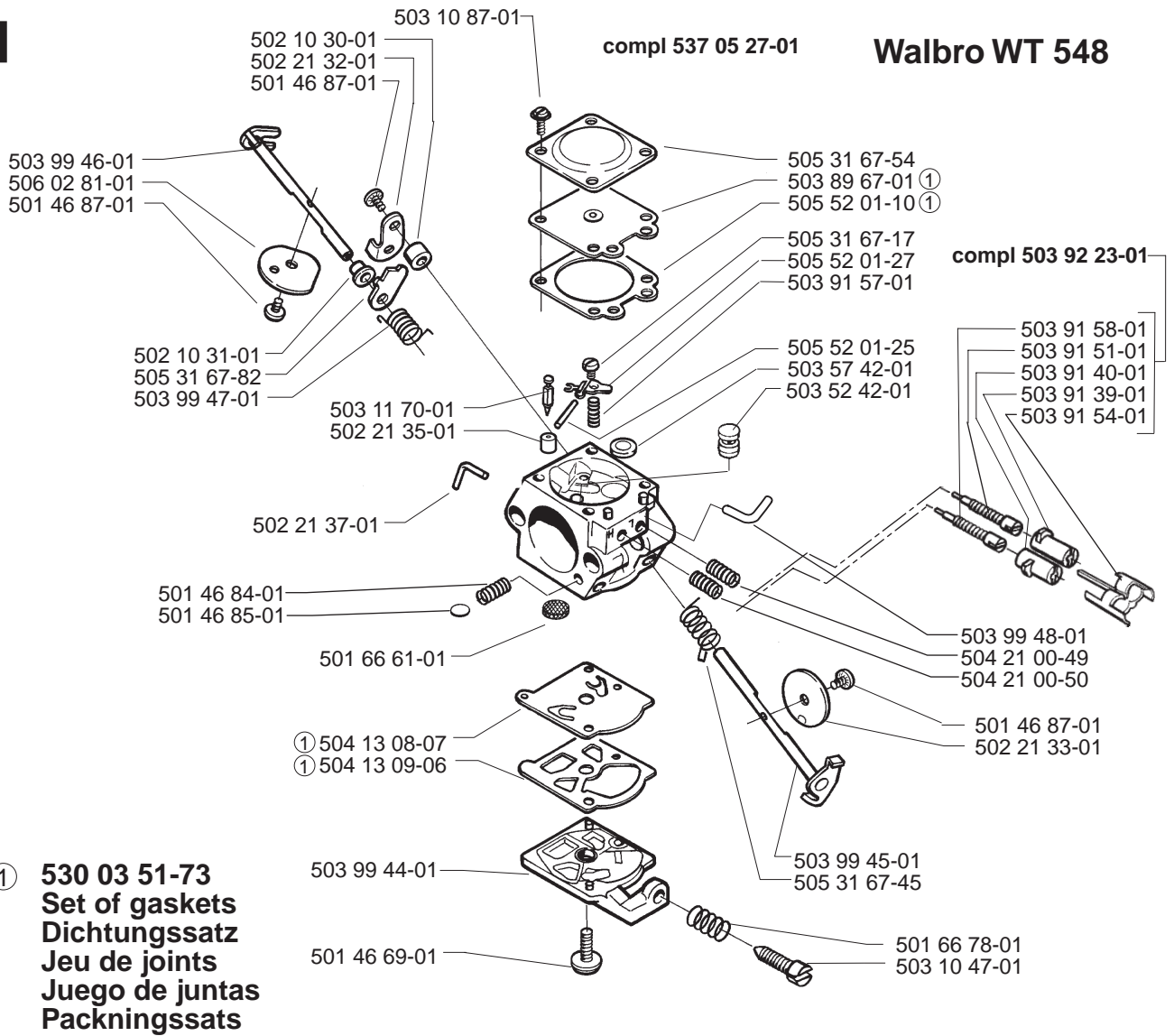
B

*compl 502 19 58-03
**compl 503 72 43-03





J***compl 503 90 40-03****K****compl 502 21 92-04****L*****compl 503 79 06-01****M*****compl 502 18 95-01**

N**P**

Accessories
Zubehöre
Accessoires
Accesorios
Tillbehör

