

232R, RD, L-235R



1.1998

Spare parts

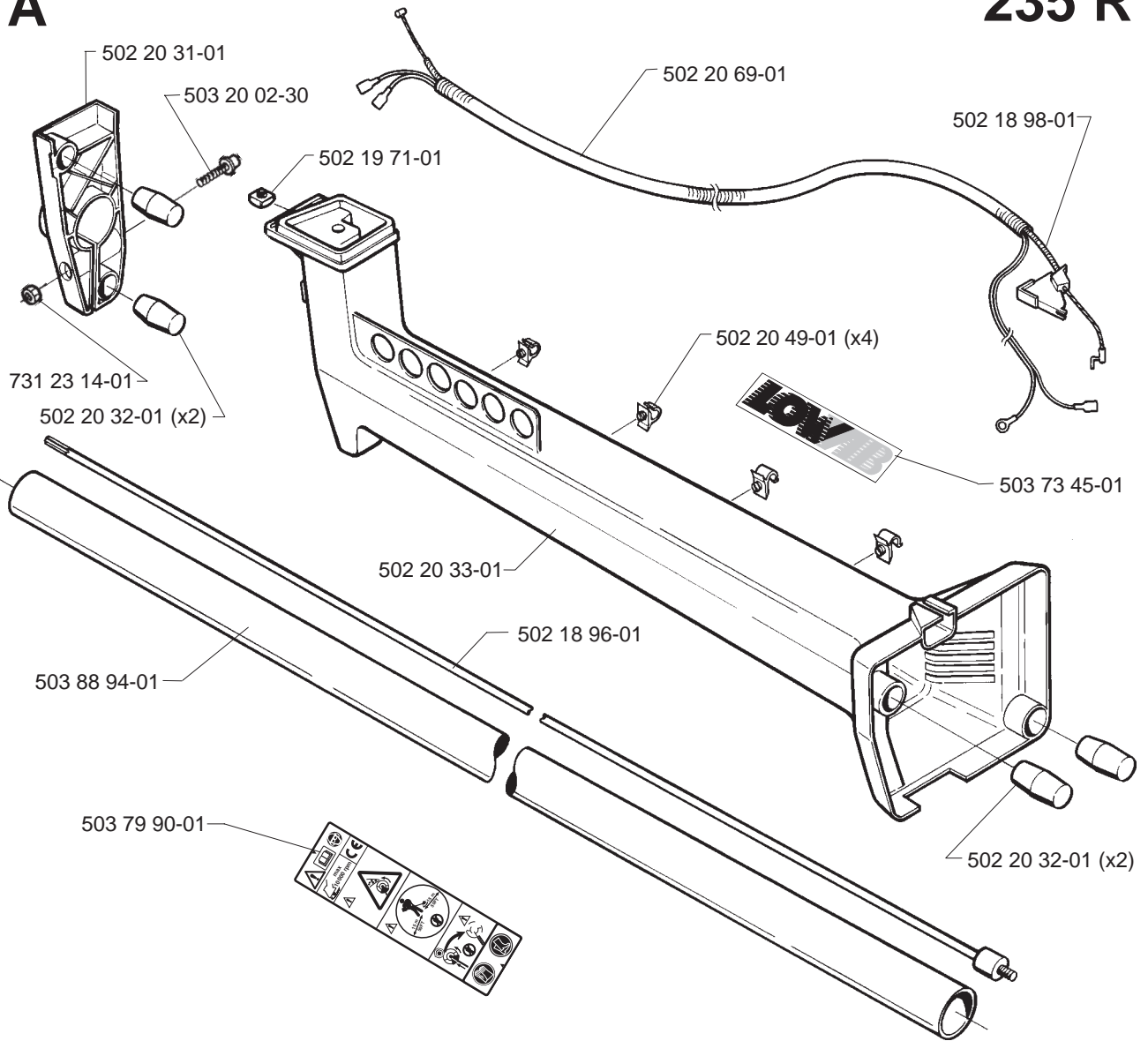
Ersatzteile

Pièces détachées

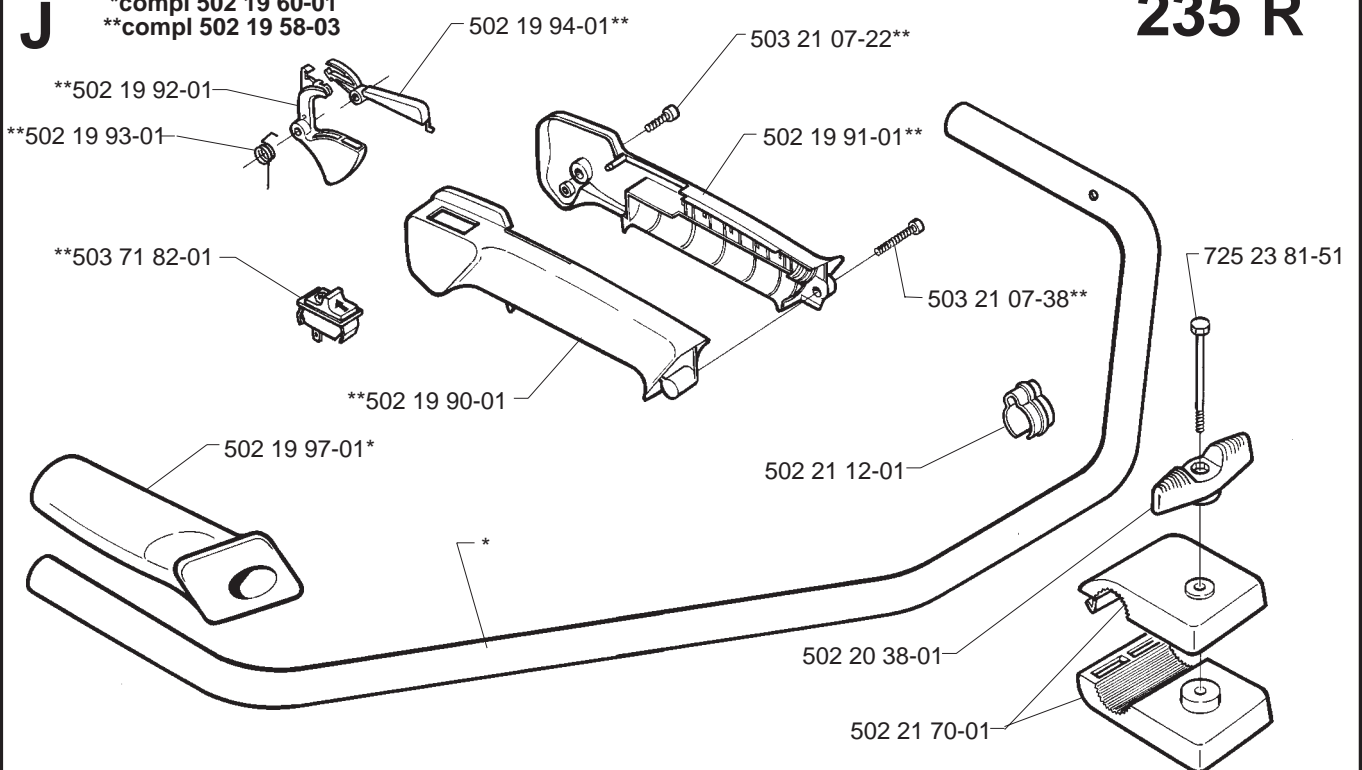
Reserve onderdelen

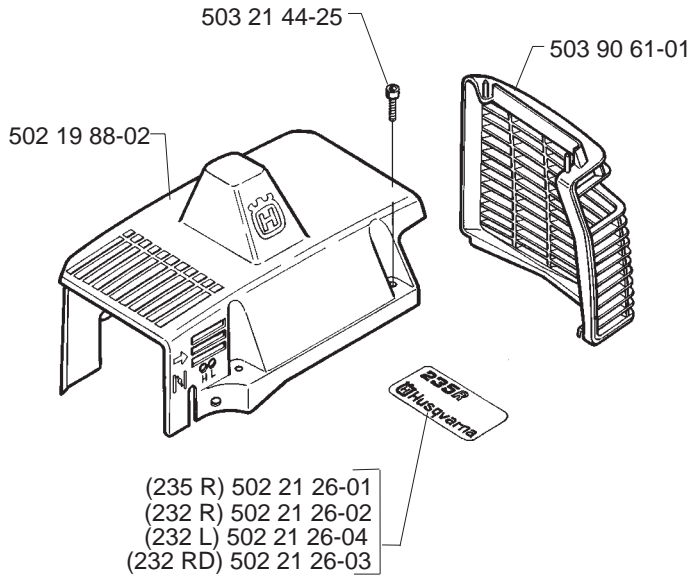
Repuestos

Reservdelar

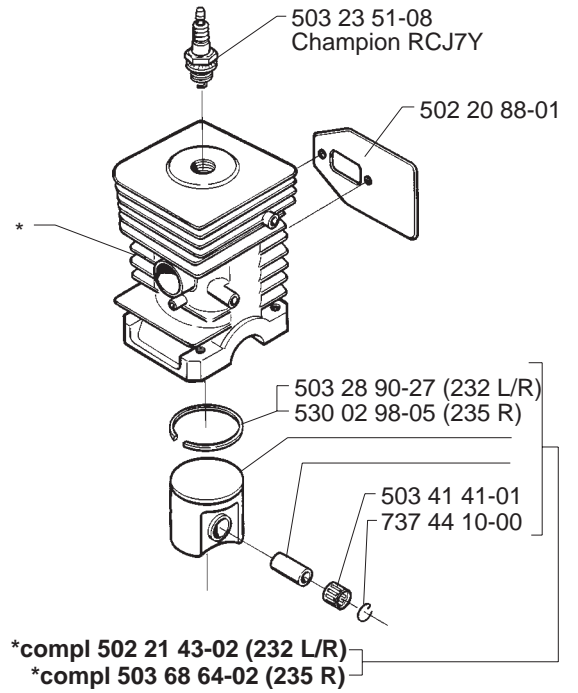
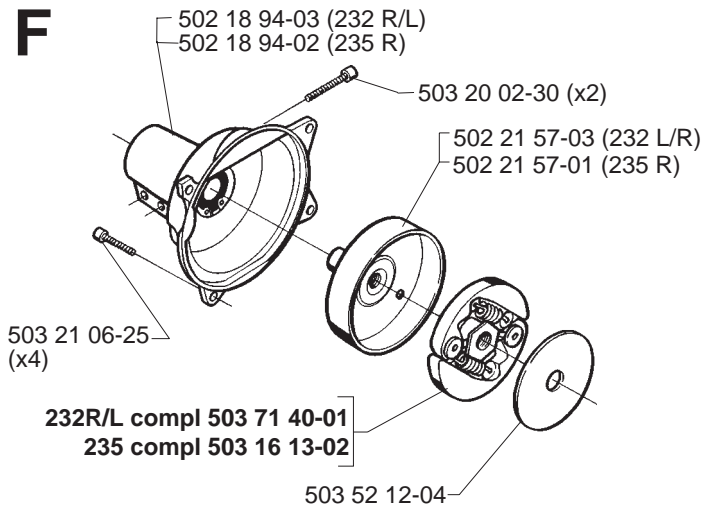
A**235 R****J**

*compl 502 19 60-01
 **compl 502 19 58-03

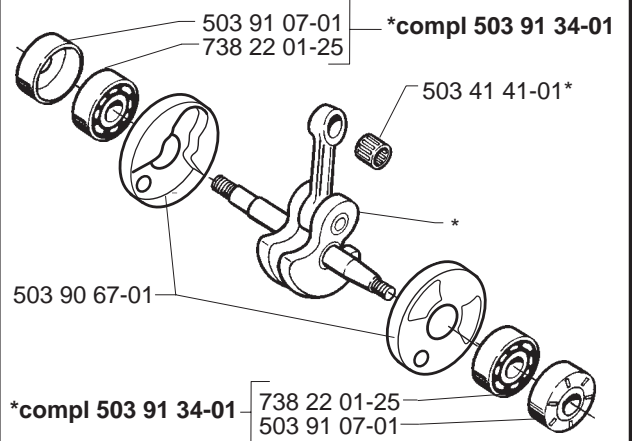
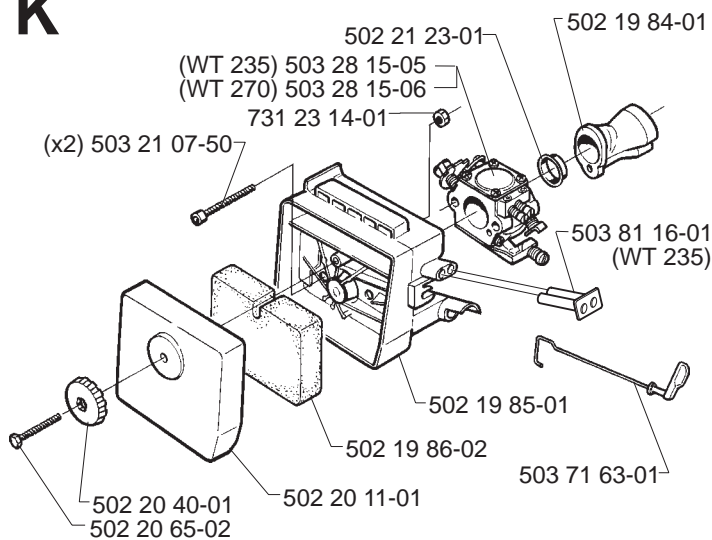
235 R

C**D**

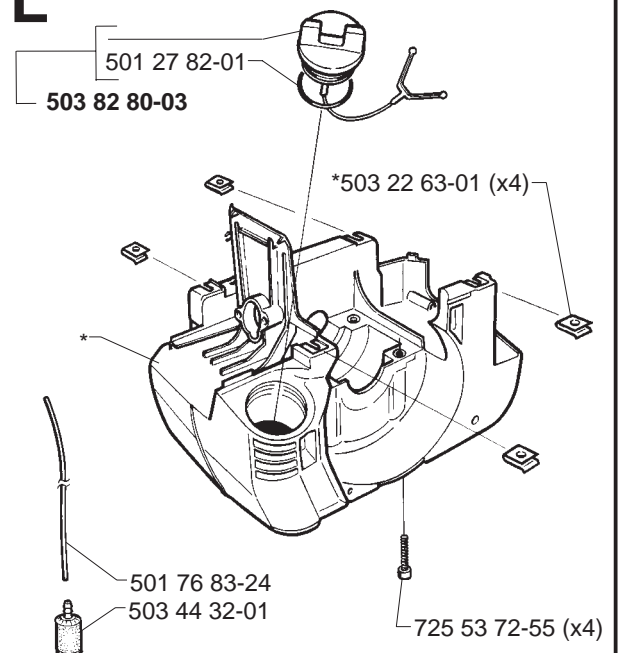
*compl 503 72 80-01 (232 L/R)
 *compl 503 69 46-01 (235 R)

**F****G**

*compl 502 21 28-03

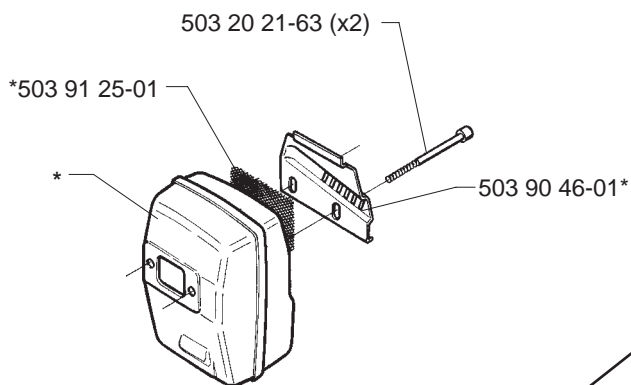
**K****L**

*compl 503 84 00-01

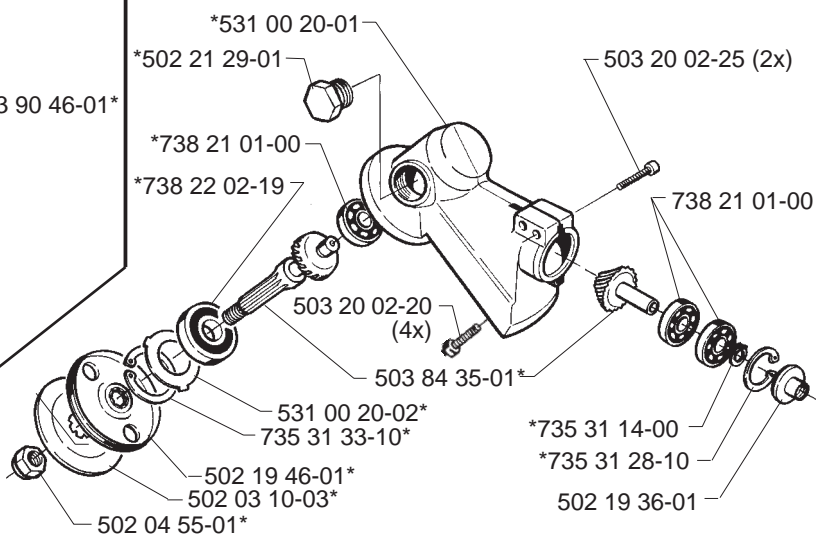


E

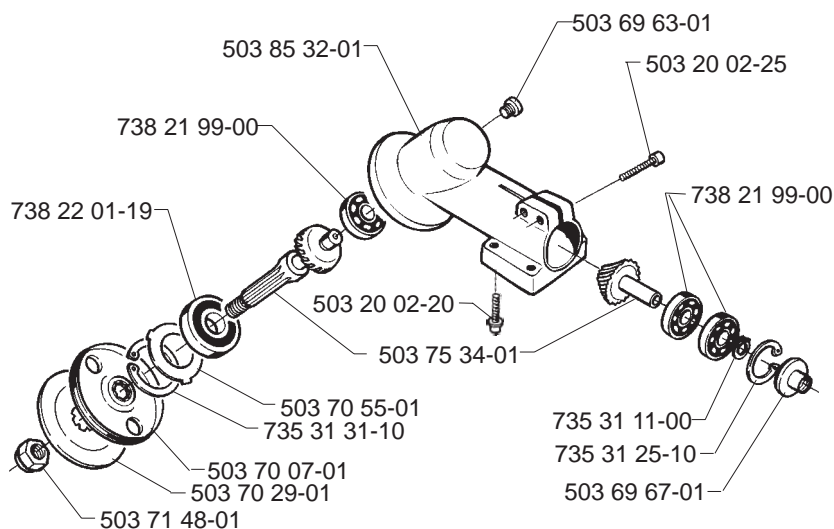
*compl 503 90 47-01

**B**

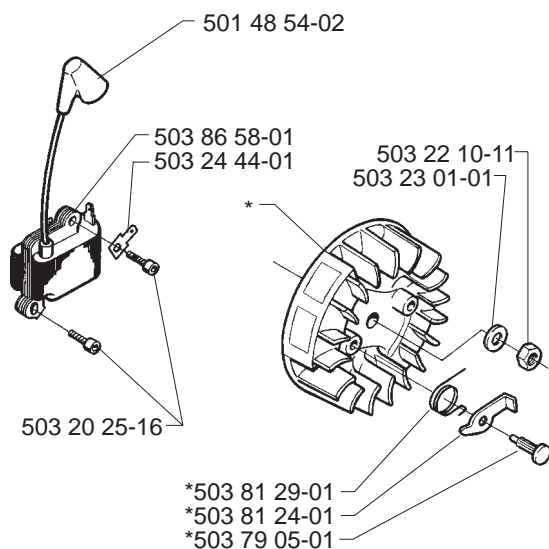
*compl 502 18 50-01

235 R**Q**

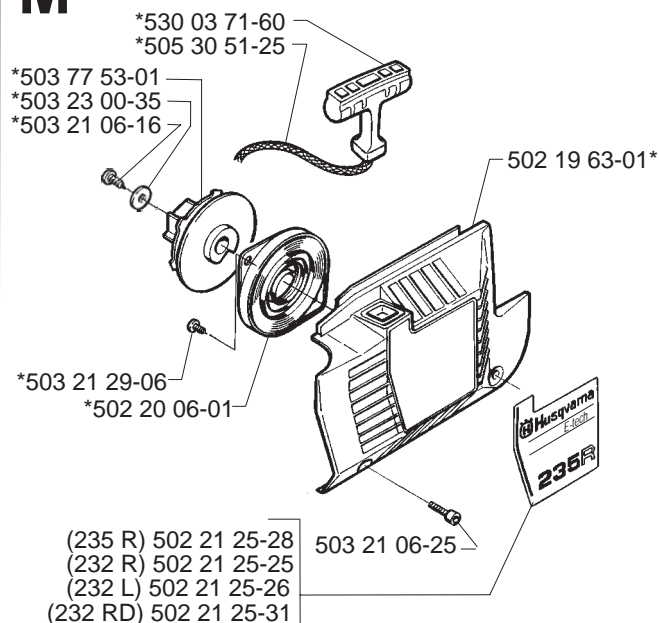
compl 502 21 92-03

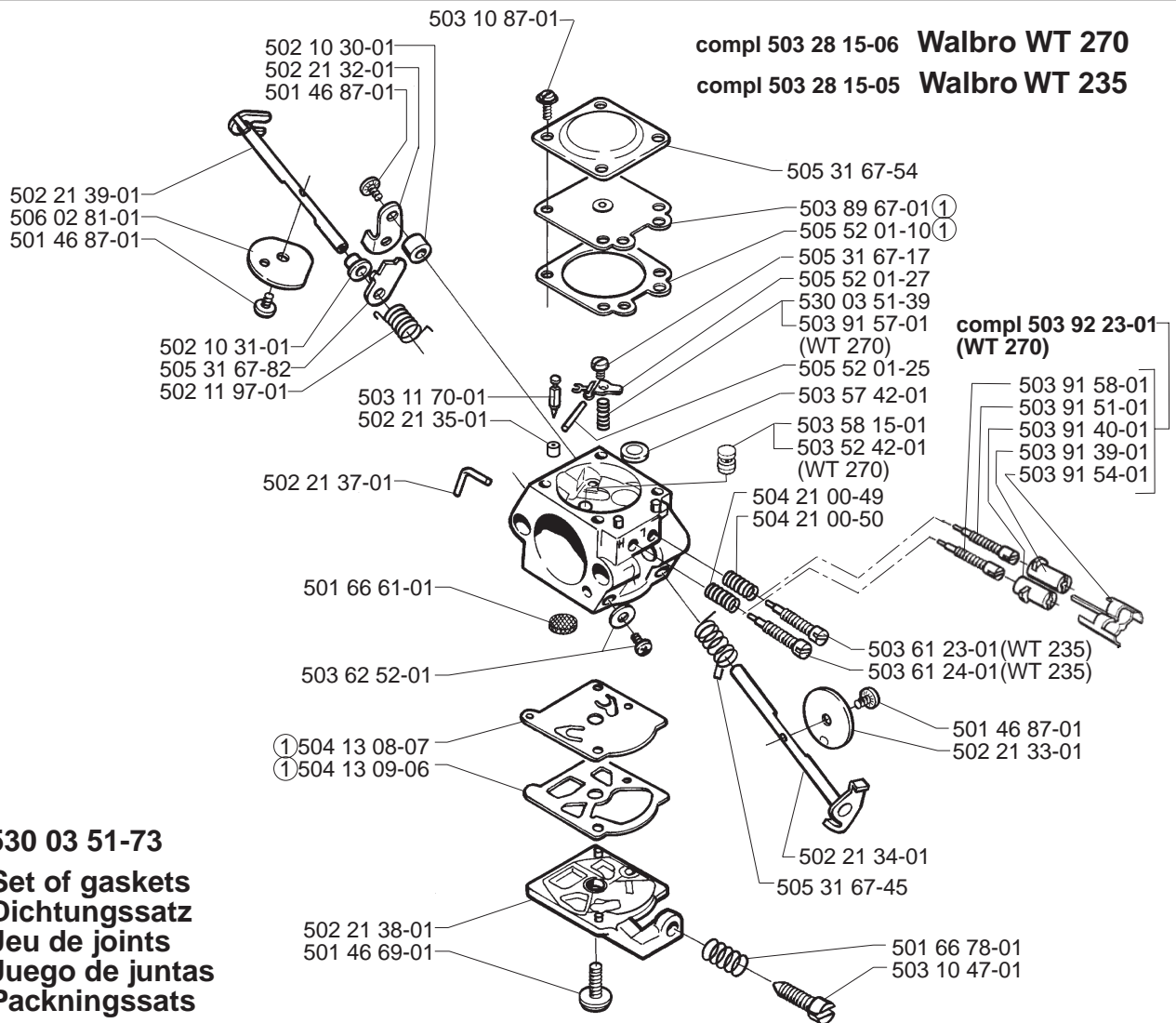
232 R/RD/L**H**

*compl 503 79 06-01

**M**

*compl 502 18 95-01

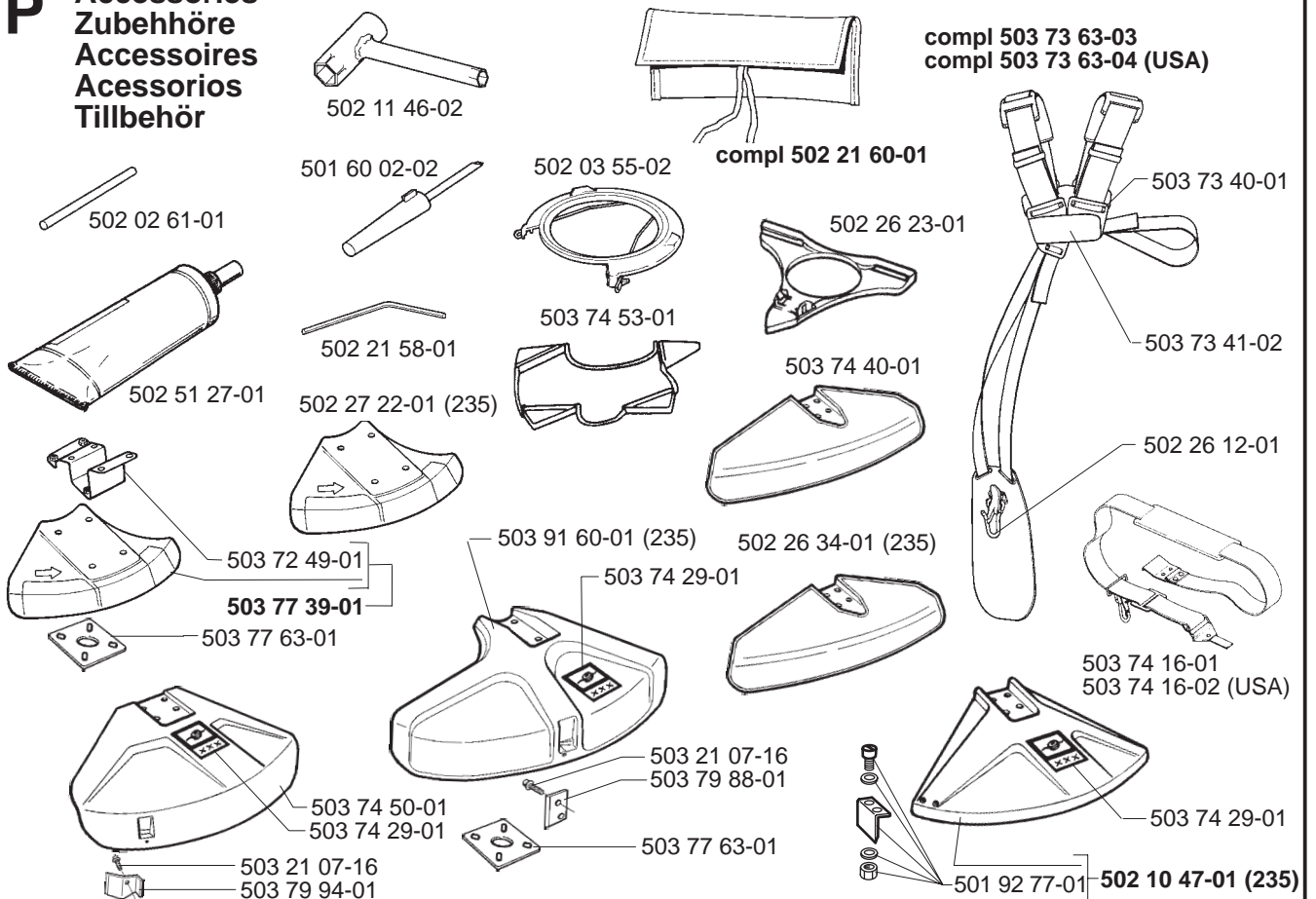


N① **530 03 51-73**

Set of gaskets
Dichtungssatz
Jeu de joints
Juego de juntas
Packningsats

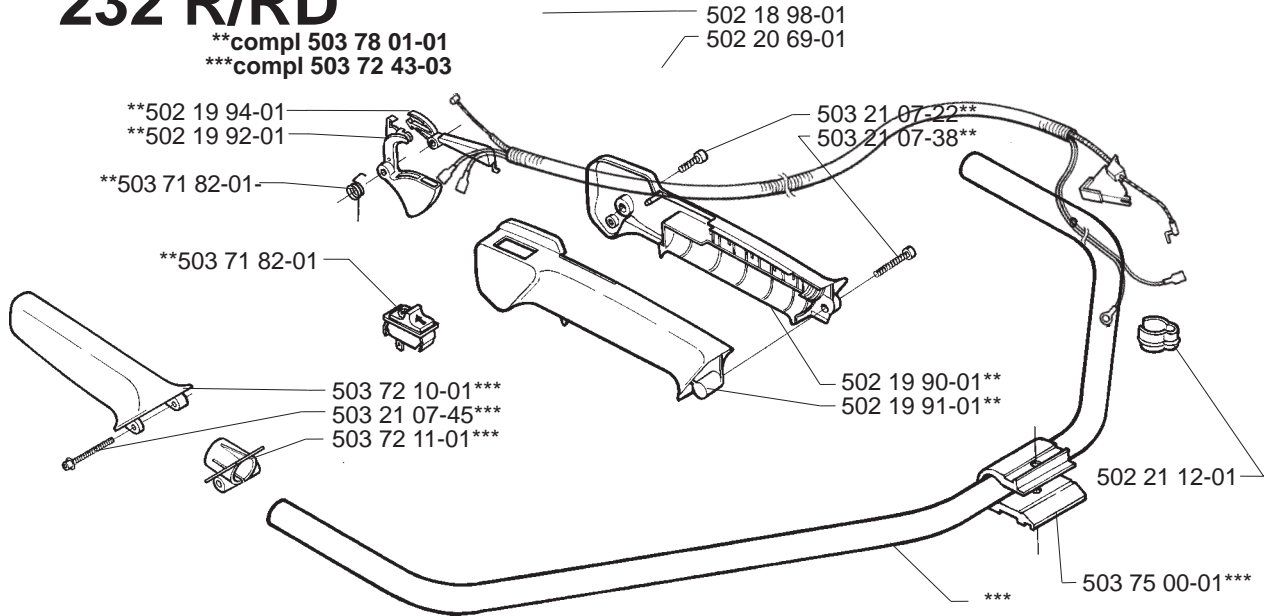
P

Accessories
Zubehöre
Accessoires
Accessorios
Tillbehör



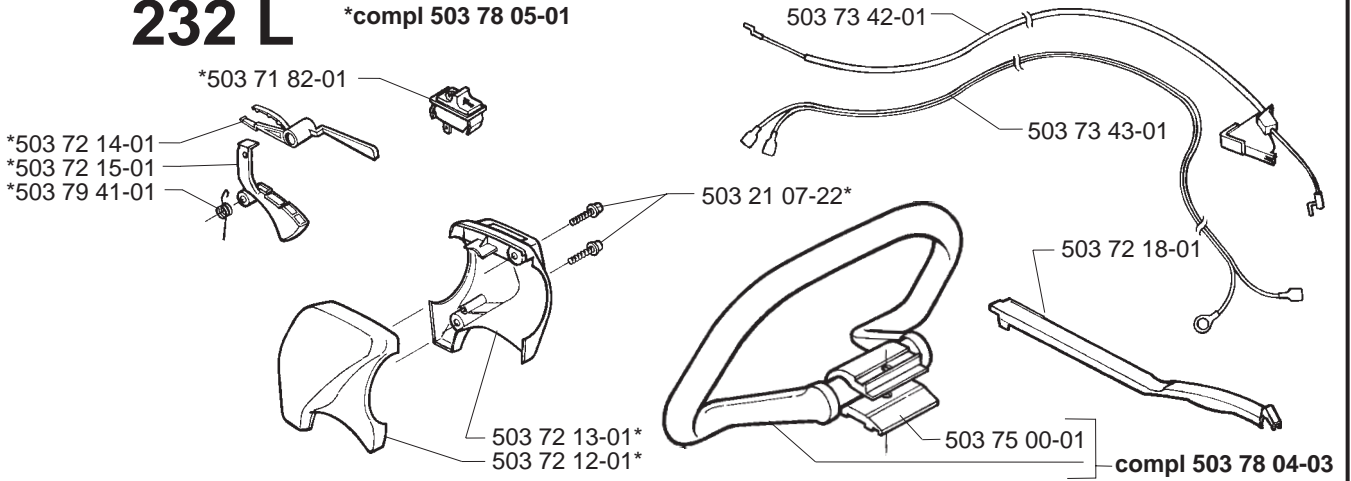
R 232 R/RD

**compl 503 78 01-01
 ***compl 503 72 43-03

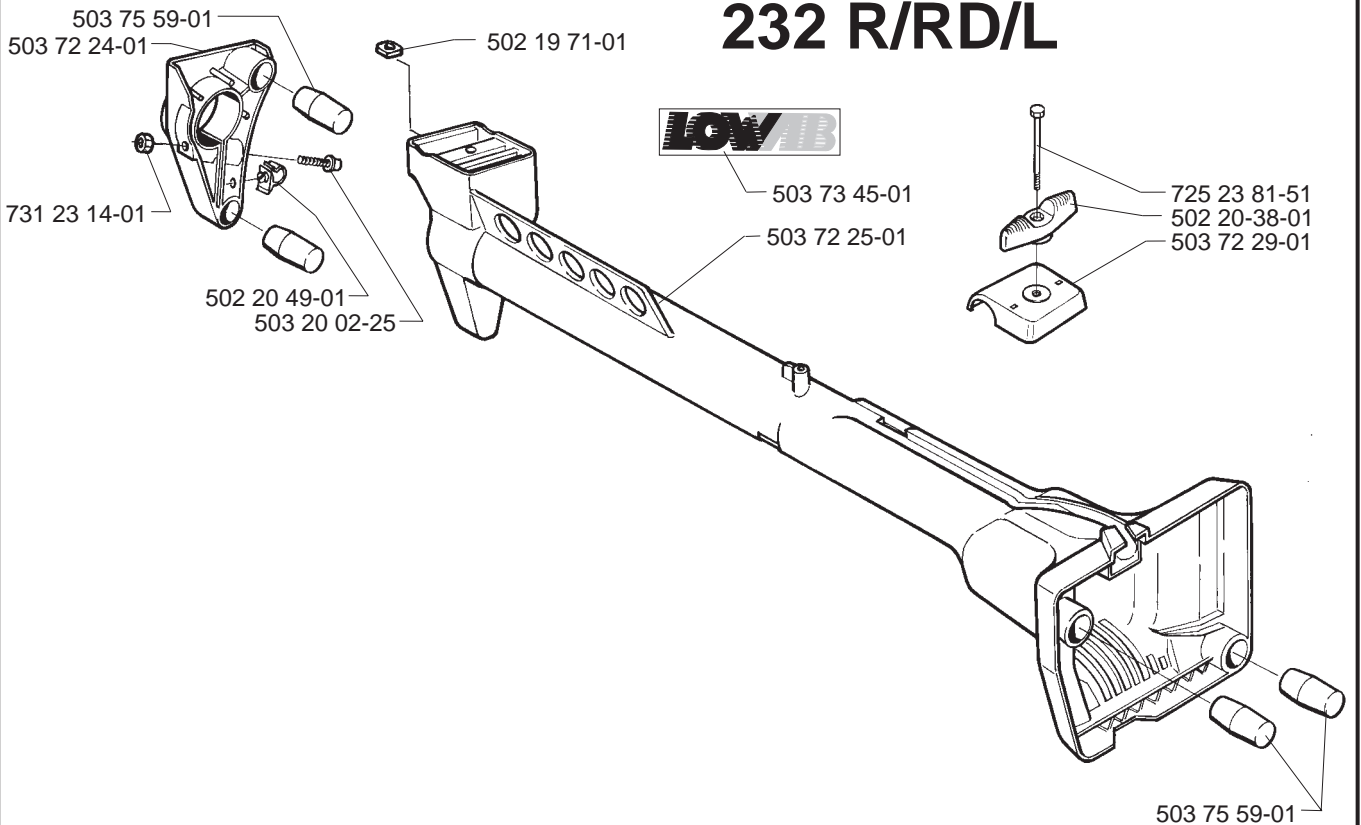


232 L

*compl 503 78 05-01

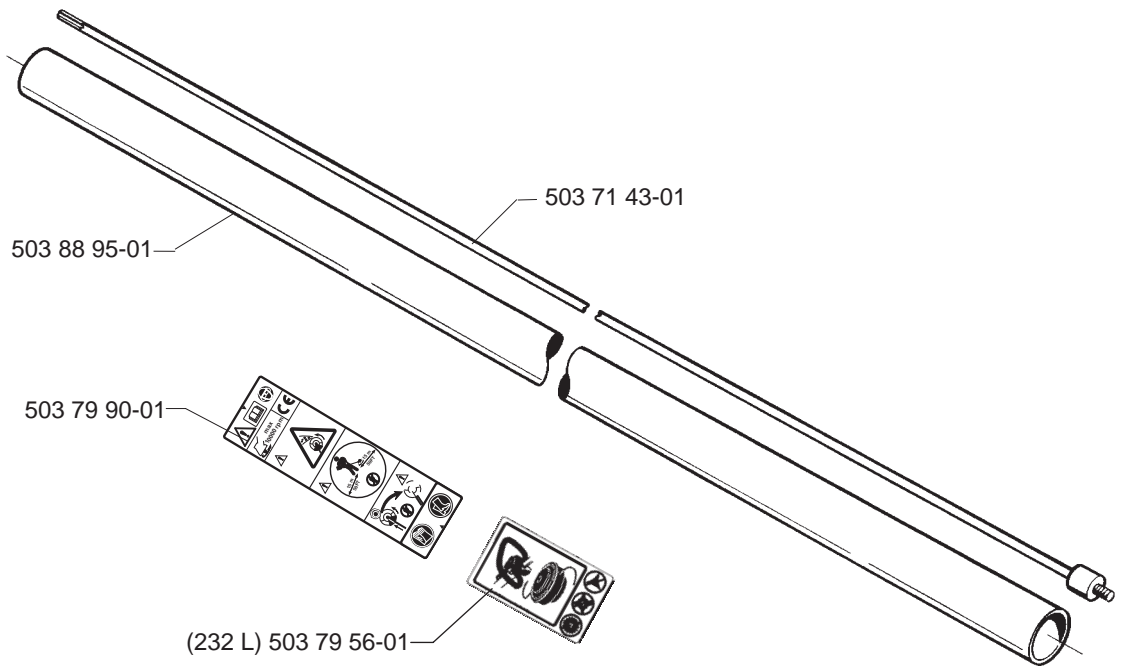


232 R/RD/L

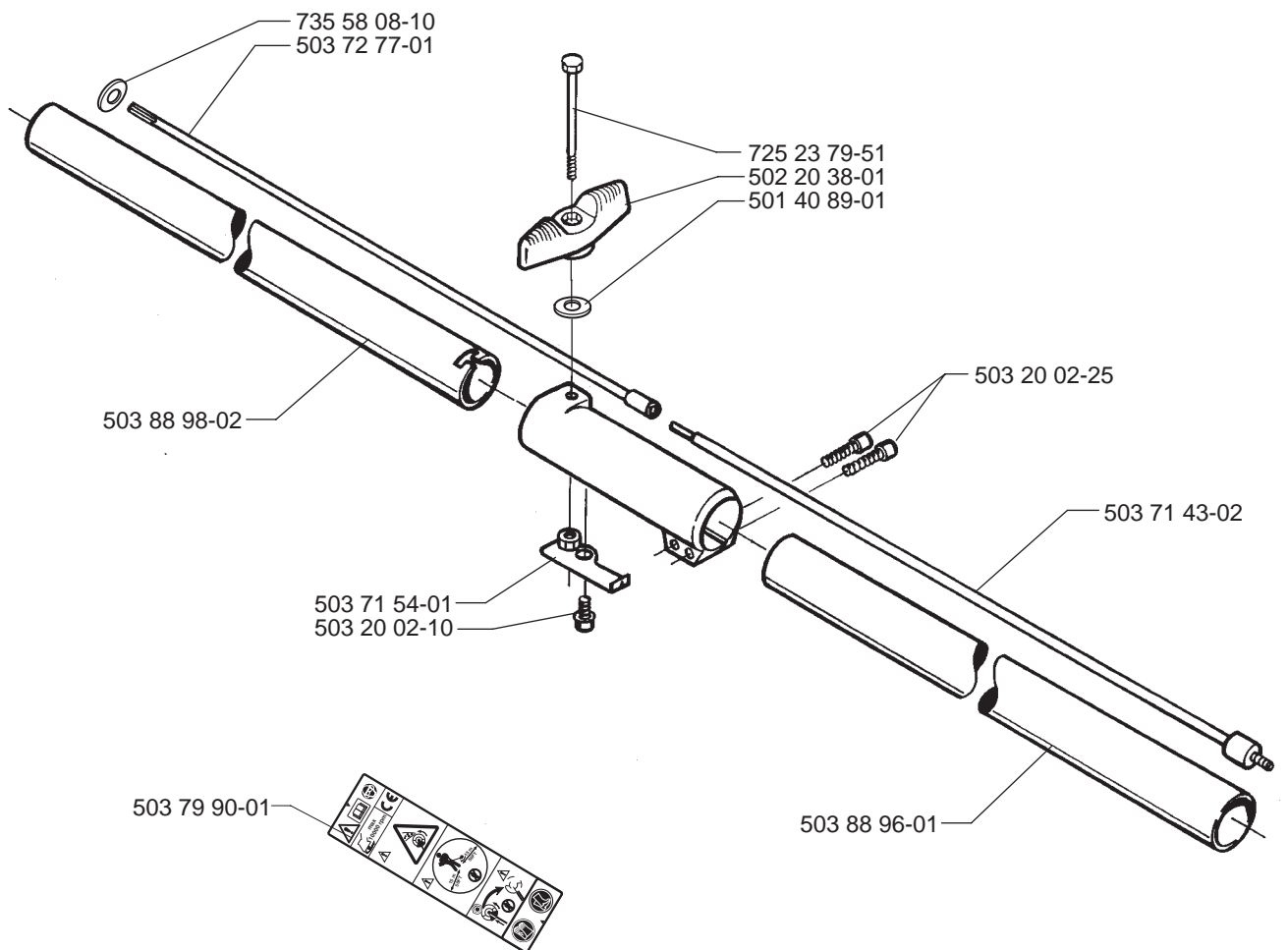


S

232 R/L



232 RD



PART NUMBER	SQUARE	NOTE	PART NUMBER	SQUARE	NOTE	PART NUMBER	SQUARE	NOTE	PART NUMBER	SQUARE	NOTE
501 27 82-01 L			502 21 38-01 N			503 73 45-01 A			725 23 81-51 J		
501 40 89-01 S		N	502 21 39-01 N			503 73 63-03 P			725 53 72-55 L		
501 46 69-01 N			502 21 43-02 D			503 73 63-04 P			731 23 14-01 A,K		
501 46 87-01 N			502 21 57-01 F			503 74 16-01 P			735 31 11-00 Q		
501 48 54-02 H			502 21 57-03 F			503 74 16-02 P			735 31 14-00 B		
501 60 02-02 P			502 21 58-01 P			503 74 29-01 P			735 31 25-10 Q		
501 66 61-01 N			502 21 60-01 P			503 74 40-01 P			735 31 28-10 B		
501 66 78-01 N			502 21 70-01 J			503 74 50-01 P			735 31 31-10 Q		
501 76 83-24 L			502 21 92-03 Q			503 74 53-01 P			735 31 33-10 B		
501 92 77-01 P			502 26 12-01 P			503 75 34-01 Q			735 58 08-10 S		N
502 02 61-01 P			502 26 23-01 P			503 77 39-01 P			737 44 10-00 D		
502 03 10-03 B			502 26 34-01 P			503 77 53-01 M			738 21 01-00 B		
502 03 55-02 P			502 27 22-01 P			503 77 63-01 P			738 21 99-00 Q		
502 04 55-01 B			502 51 27-01 P			503 79 05-01 H			738 22 01-19 Q		
502 10 30-01 N			503 10 47-01 N			503 79 06-01 H			738 22 01-25 G		
502 10 31-01 N			503 10 87-01 N			503 79 56-01 S		N	738 22 01-25 G		
502 10 47-01 P			503 11 70-01 N			503 79 88-01 P			738 22 02-19 B		
502 11 46-02 P			503 16 13-02 F			503 79 90-01 A					
502 11 97-01 N			503 20 02-10 S		N	503 79 90-01 S					
502 18 50-01 B			503 20 02-20 B,Q			503 79 94-01 P					
502 18 94-02 F			503 20 02-25 S			503 81 16-01 K					
502 18 94-03 F			503 20 02-25 B,Q			503 81 24-01 H					
502 18 95-01 M			503 20 02-30 A,F			503 81 29-01 H					
502 18 96-01 A			503 20 21-63 E			503 82 80-03 L		N			
502 18 98-01 A			503 20 25-16 H			503 84 00-01 L					
502 19 36-01 B			503 21 06-16 M			503 84 35-01 B					
502 19 46-01 B			503 21 06-25 F,M			503 85 32-01 Q					
502 19 58-03 J			503 21 07-16 P		N	503 86 58-01 H					
502 19 60-01 J			503 21 07-22 J			503 88 94-01 A					
502 19 63-01 M			503 21 07-38 J			503 88 95-01 S					
502 19 71-01 A			503 21 07-50 K			503 88 96-01 S		N			
502 19 84-01 K			503 21 29-06 M			503 88 98-02 S		N			
502 19 85-01 K			503 21 44-25 C			503 89 67-01 N					
502 19 86-02 K			503 22 10-11 H			503 90 46-01 E					
502 19 88-02 C			503 22 63-01 L			503 90 47-01 E					
502 19 90-01 J			503 23 00-35 M		N	503 90 61-01 C					
502 19 91-01 J			503 23 01-01 H			503 90 67-01 G					
502 19 92-01 J			503 23 51-08 D			503 91 07-01 G					
502 19 93-01 J			503 24 44-01 H		N	503 91 07-01 G					
502 19 94-01 J			503 28 15-05 K,N			503 91 25-01 E					
502 19 97-01 J			503 28 15-06 K,N			503 91 34-01 G					
502 20 06-01 M			503 28 90-27 D			503 91 34-01 G					
502 20 11-01 K			503 41 41-01 D,G			503 91 39-01 N					
502 20 31-01 A			503 44 32-01 L			503 91 40-01 N					
502 20 32-01 A			503 52 12-04 F		N	503 91 51-01 N					
502 20 33-01 A			503 52 42-01 N			503 91 54-01 N					
502 20 38-01 J			503 57 42-01 N			503 91 57-01 N					
502 20 38-01 S			503 58 15-01 N			503 91 58-01 N					
502 20 40-01 K		N	503 61 23-01 N			503 91 60-01 P					
502 20 49-01 A			503 61 24-01 N			503 92 23-01 N					
502 20 65-02 K			503 62 52-01 N			504 13 08-07 N					
502 20 69-01 A			503 68 64-02 D			504 13 09-06 N					
502 20 88-01 D			503 69 46-01 D			504 21 00-49 N					
502 21 12-01 J			503 69 63-01 Q			504 21 00-50 N					
502 21 23-01 K			503 69 67-01 Q			505 30 51-25 M		N			
502 21 25-25 M			503 70 07-01 Q			505 31 67-17 N					
502 21 25-26 M			503 70 29-01 Q			505 31 67-45 N					
502 21 25-28 M			503 70 55-01 Q			505 31 67-54 N					
502 21 25-31 M		N	503 71 40-01 F			505 31 67-82 N					
502 21 26-01 C			503 71 43-01 S		N	505 52 01-10 N					
502 21 26-02 C			503 71 43-02 S			505 52 01-25 N					
502 21 26-03 C		N	503 71 48-01 Q			505 52 01-27 N					
502 21 26-04 C			503 71 54-01 S		N	506 02 81-01 N					
502 21 28-03 G			503 71 63-01 K			530 02 98-05 D					
502 21 29-01 B			503 71 82-01 J			530 03 51-39 N					
502 21 32-01 N			503 72 49-01 P			530 03 51-73 N					
502 21 33-01 N			503 72 77-01 S		N	530 03 71-60 M					
502 21 34-01 N			503 72 80-01 D			531 00 20-01 B					
502 21 35-01 N			503 73 40-01 P			531 00 20-02 B					
502 21 37-01 N			503 73 41-02 P			725 23 79-51 S		N			