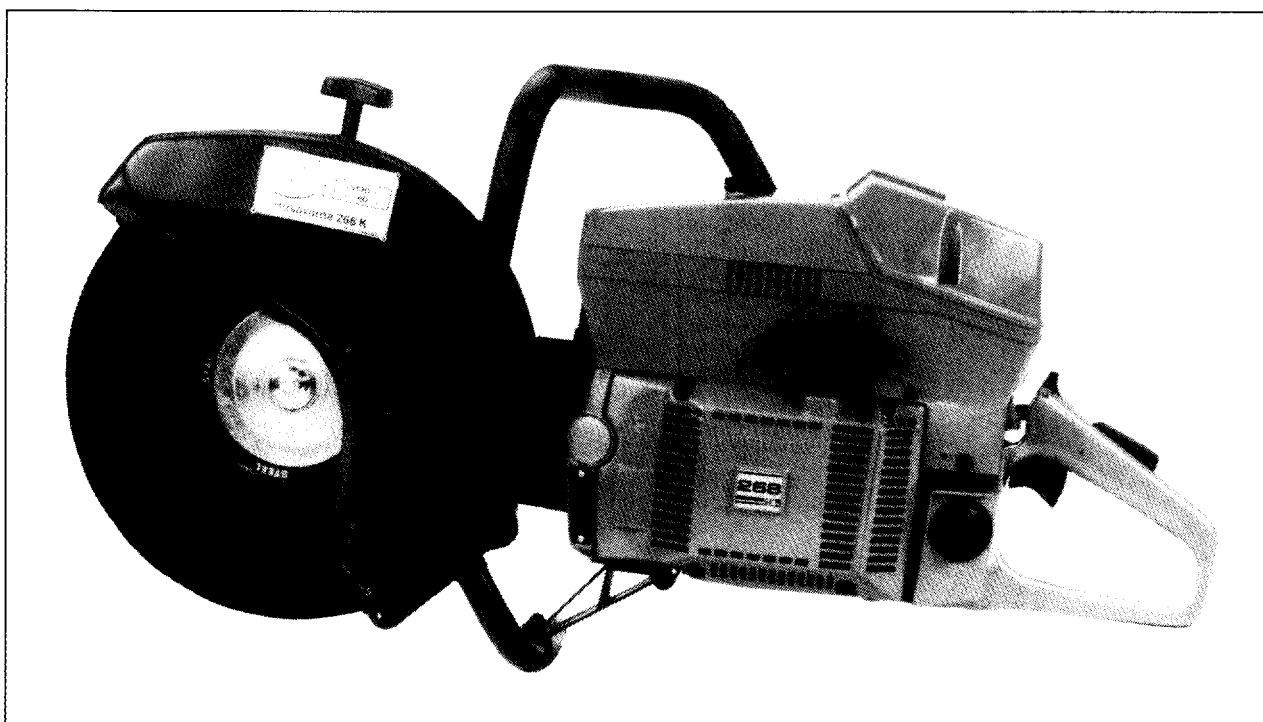


268 K

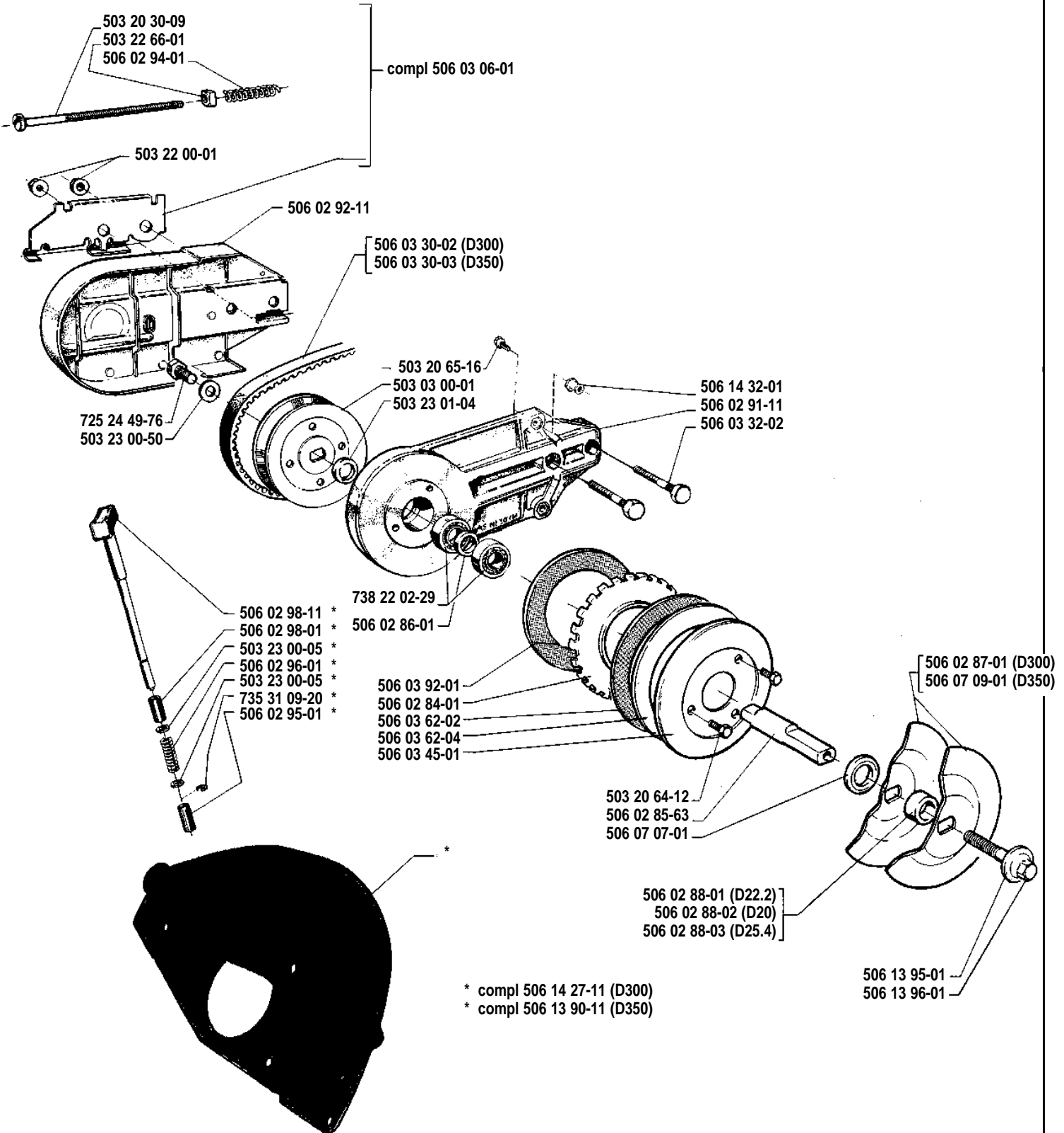


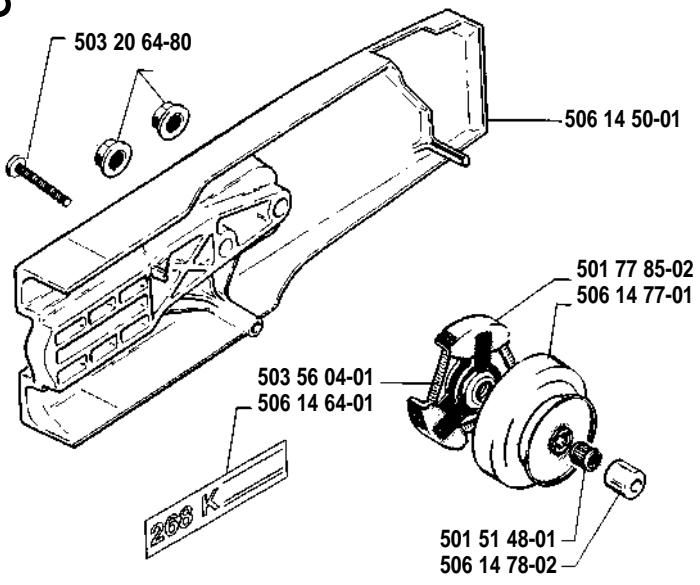
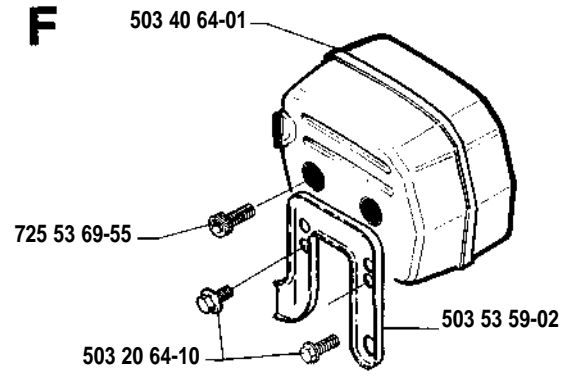
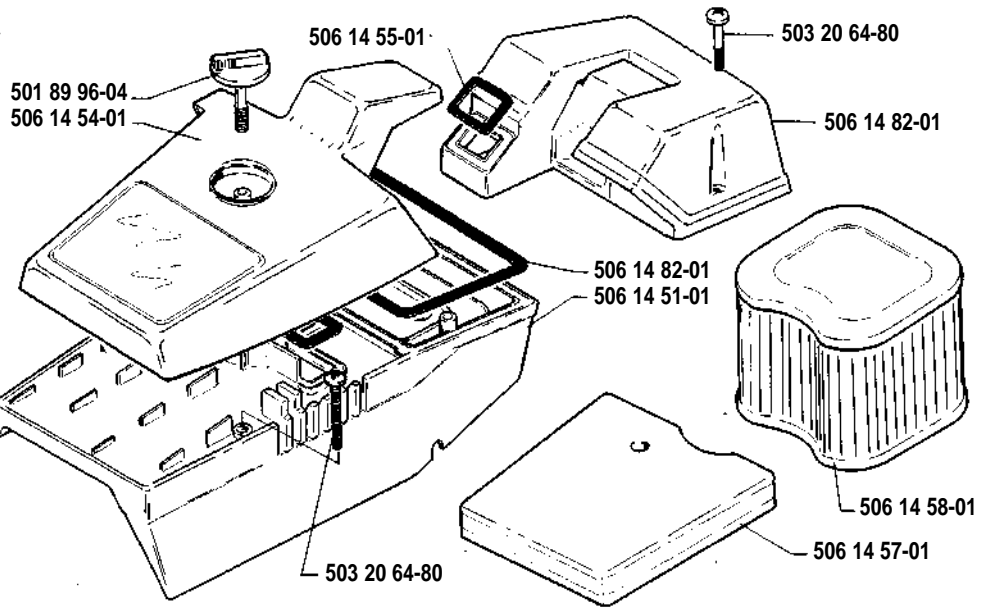
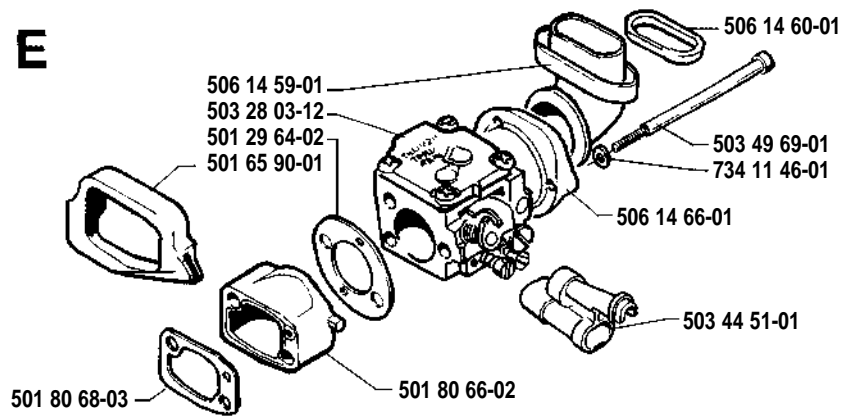
1. 1989
Spare parts
Ersatzteile
Pièces de rechange
Reservdelar

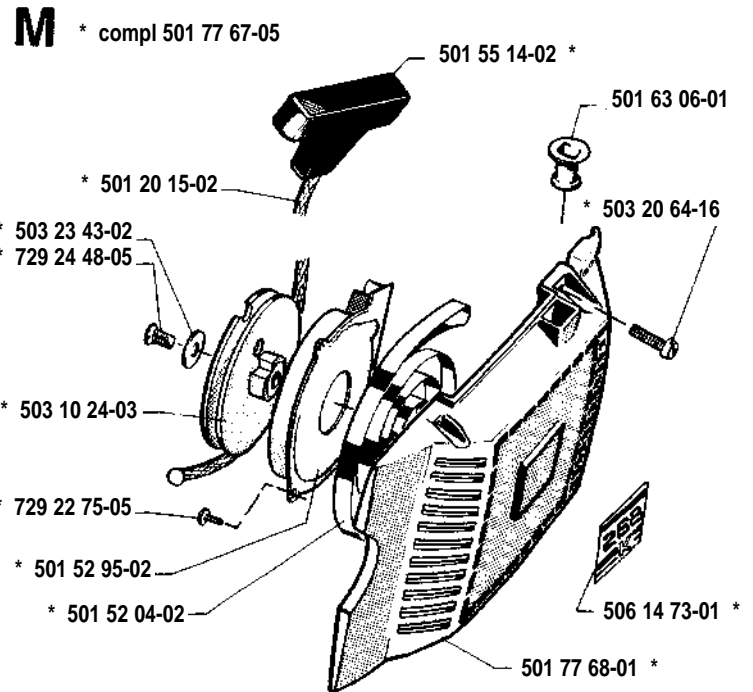
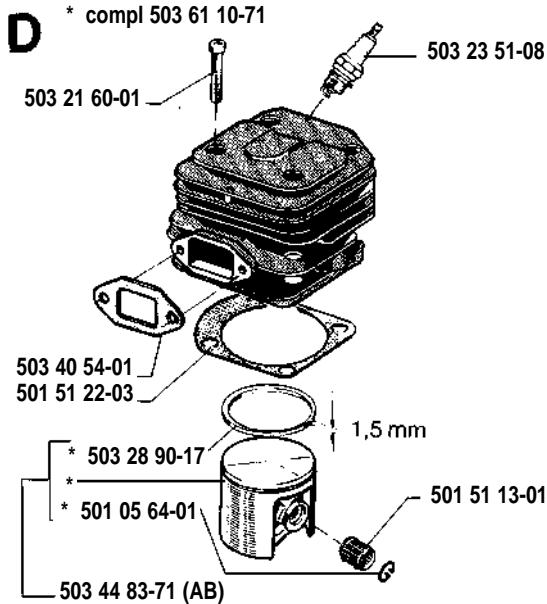
| Ref.No. Teil-Nr N° de réf. N° ref. Ref. nr. | Square Viereck Carreau Cuadro Ruta | Remark Vermerk Notes Notes Observ. Anm. | Ref.No. Teil-Nr N° de réf. N° ref. Ref. nr. | Square Viereck Carreau Cuadro Ruta | Remark Vermerk Notes Notes Observ. Anm. | Ref.No. Teil-Nr N° de réf. N° ref. Ref. nr. | Square Viereck Carreau Cuadro Ruta | Remark Vermerk Notes Notes Observ. Anm. |
|---|--|--|---|--|--|---|--|--|
| 501 05 64-01 | D | | 503 20 30-09 | A | | 506 03 30-03 | A | |
| 501 20 15-02 | M | | 503 20 64-10 | F | | 506 03 32-02 | A | |
| 501 22 03-01 | N | | 503 20 64-12 | A | | 506 03 45-01 | A | |
| 501 22 04-01 | N | | 503 20 64-16 | M | | 506 03 62-01 | A | |
| 501 22 05-01 | N | | 503 20 64-80 | B,C | | 506 03 62-02 | A | |
| 501 22 08-01 | N | ② | 503 20 65-12 | H | | 506 03 62-04 | A | |
| 501 22 09-01 | N | ② | 503 20 65-16 | A | | 506 04 00-11 | A | |
| 501 22 10-01 | N | | 503 21 33-20 | H | | 506 07 07-01 | A | |
| 501 22 13-01 | N | ② | 503 21 33-30 | H | | 506 07 09-01 | A | |
| 501 22 14-01 | N | | 503 21 60-01 | D | | 506 09 60-01 | H | |
| 501 22 17-01 | N | | 503 22 00-01 | A,B | | 506 09 69-01 | N | |
| 501 22 20-01 | N | | 503 22 10-02 | G | | 506 13 90-11 | A | |
| 501 22 21-01 | N | | 503 22 65-01 | H | | 506 13 95-01 | A | |
| 501 22 23-01 | N | | 503 22 66-01 | A | | 506 13 96-01 | A | |
| 501 22 24-01 | N | | 503 23 00-01 | L | | 506 14 27-11 | A | |
| 501 26 85-01 | N | | 503 23 00-05 | A | | 506 14 32-01 | A | |
| 501 26 89-01 | N | | 503 23 00-08 | G | | 506 14 50-01 | B | |
| 501 27 82-01 | H | | 503 23 00-42 | L | | 506 14 51-01 | C | |
| 501 28 59-02 | H | | 503 23 00-50 | A | | 506 14 54-01 | C | |
| 501 29 64-02 | E | ① | 503 23 01-04 | A | | 506 14 55-01 | C | |
| 501 42 41-01 | H | | 503 23 43-02 | M | | 506 14 57-01 | C | |
| 501 42 71-01 | N | | 503 23 51-08 | D | | 506 14 58-01 | C | |
| 501 43 00-01 | L | | 503 26 02-04 | K | | 506 14 59-01 | E | |
| 501 43 14-02 | H | | 503 28 03-12 | E,N | | 506 14 60-01 | E | |
| 501 48 50-01 | N | | 503 28 90-17 | D | | 506 14 61-01 | K | |
| 501 48 52-01 | N | | 503 40 54-01 | D | | 506 14 64-01 | B | |
| 501 48 54-02 | L | | 503 40 64-01 | F | | 506 14 66-01 | E | |
| 501 49 48-02 | N | ② compl. | 503 44 44-01 | K | | 506 14 68-01 | H | |
| 501 50 24-01 | N | | 503 44 50-01 | K | | 506 14 69-01 | K | |
| 501 51 13-01 | D, G | | 503 44 51-01 | E | | 506 14 70-02 | H | |
| 501 51 22-03 | D | ① | 503 47 82-01 | N | | 506 14 72-01 | H | |
| 501 51 81-02 | H | | 503 47 83-01 | N | | 506 14 73-01 | M | |
| 501 51 97-02 | H | | 503 47 84-01 | N | ② | 506 14 77-01 | B | |
| 501 52 04-02 | M | | 503 48 63-01 | N | | 506 14 78-02 | B | |
| 501 52 26-04 | — | ① compl. | 503 49 69-01 | E | | 506 14 79-01 | K | |
| 501 52 78-01 | K | | 503 53 32-01 | N | | 506 14 80-02 | H | |
| 501 52 79-02 | K | | 503 53 39-01 | N | | 506 14 81-01 | H | |
| 501 52 84-04 | G | | 503 53 59-02 | F | | 506 14 82-01 | C | |
| 501 52 88-01 | H | | 503 56 04-01 | B | | 506 14 83-01 | H | |
| 501 52 95-02 | M | | 503 57 86-01 | N | | 506 14 85-01 | C | |
| 501 55 10-01 | K | | 503 57 87-01 | N | | 720 13 07-10 | K | |
| 501 55 14-02 | M | | 503 60 41-01 | N | | 721 42 09-25 | H | |
| 501 57 61-01 | N | | 503 61 10-01 | D | | 721 42 12-26 | H | |
| 501 60 68-01 | H | | 503 62 22-01 | N | | 725 24 49-76 | A | |
| 501 62 87-01 | H | | 505 31 64-58 | N | | 725 52 94-55 | L | |
| 501 62 96-01 | H | | 505 31 64-95 | N | | 725 53 27-56 | A,H,K | |
| 501 63 06-01 | M | | 505 31 64-96 | N | | 725 53 31-55 | K | |
| 501 65 90-01 | E | | 505 31 66-05 | N | | 725 53 37-55 | K | |
| 501 65 92-01 | K | | 505 31 66-13 | N | | 725 53 41-55 | K | |
| 501 67 32-03 | L | | 506 02 73-03 | L | | 725 53 69-55 | F | |
| 501 67 35-01 | L | | 506 02 84-01 | A | | 729 22 75-05 | K,M | |
| 501 69 94-01 | H | | 506 02 85-63 | A | | 729 24 48-05 | M | |
| 501 77 67-05 | M | | 506 02 86-01 | A | | 729 57 13-05 | A | |
| 501 77 68-01 | M | | 506 02 87-01 | A | | 734 11 46-01 | E,K | |
| 501 77 82-03 | L | | 506 02 88-01 | A | | 735 31 08-20 | A | |
| 501 77 85-02 | B | | 506 02 88-02 | A | | 735 31 09-20 | A | |
| 501 80 66-02 | E | | 506 02 88-03 | A | | 735 88 06-00 | G | |
| 501 80 68-03 | E | ① | 506 02 91-11 | A | | 738 22 02-25 | G | |
| 501 81 57-01 | K | | 506 02 92-11 | A | | 738 22 02-29 | A | |
| 501 81 99-01 | L | | 506 02 94-01 | A | | | | |
| 501 82 18-01 | N | | 506 02 95-01 | A | | | | |
| 501 83 98-01 | L | | 506 02 96-01 | A | | | | |
| 501 89 96-04 | C | | 506 02 98-11 | A | | | | |
| 502 01 22-01 | N | | 506 03 00-01 | A | | | | |
| 503 08 97-02 | K | | 506 03 06-01 | A | | | | |
| 503 10 24-03 | M | | 506 03 30-02 | A | | | | |

① = 501 52 26-04
Set of gaskets
Dichtungssatz
Jeu de joints
Juego de juntas
Packningssatz

A

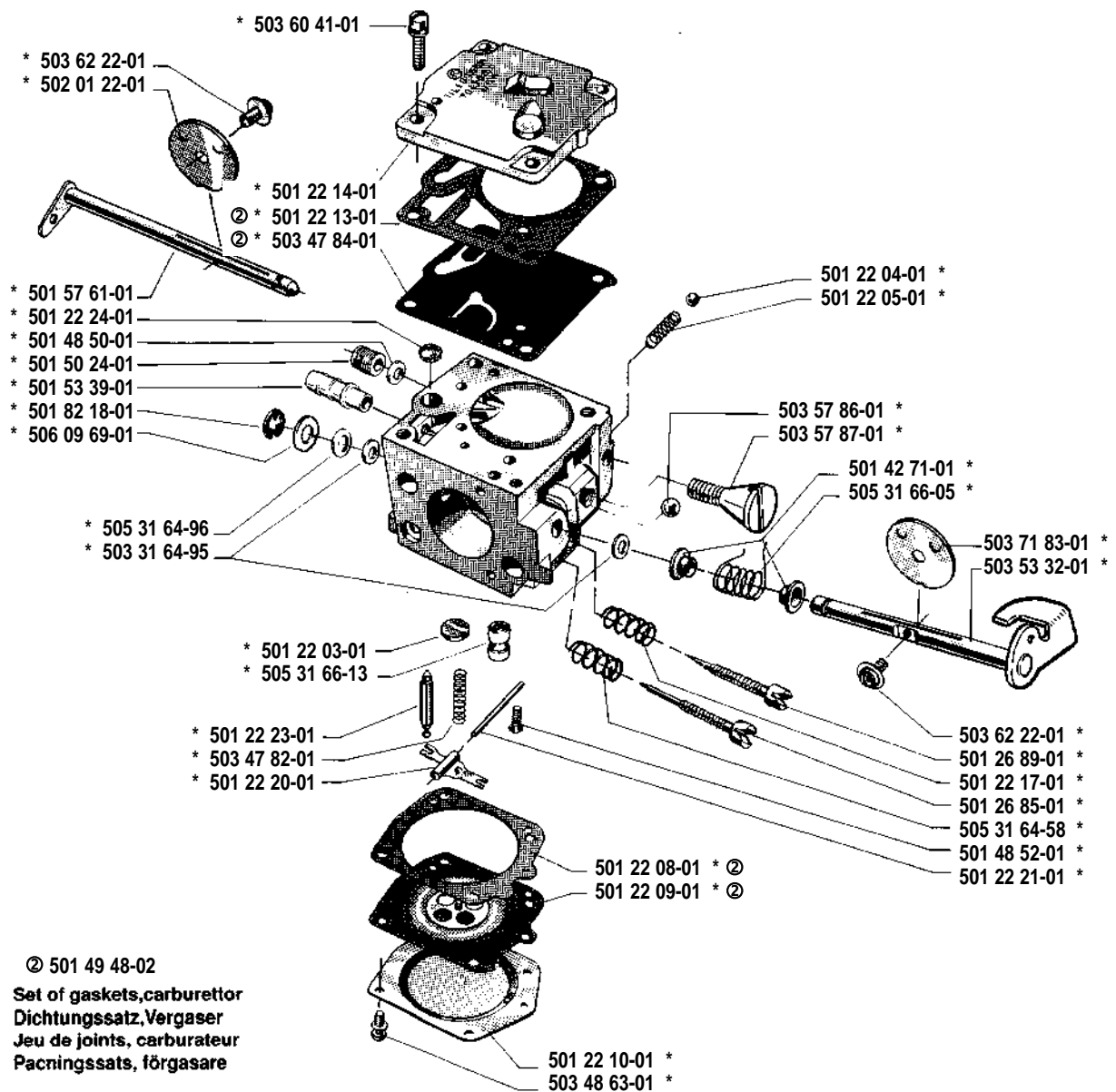


B**F****C****E**

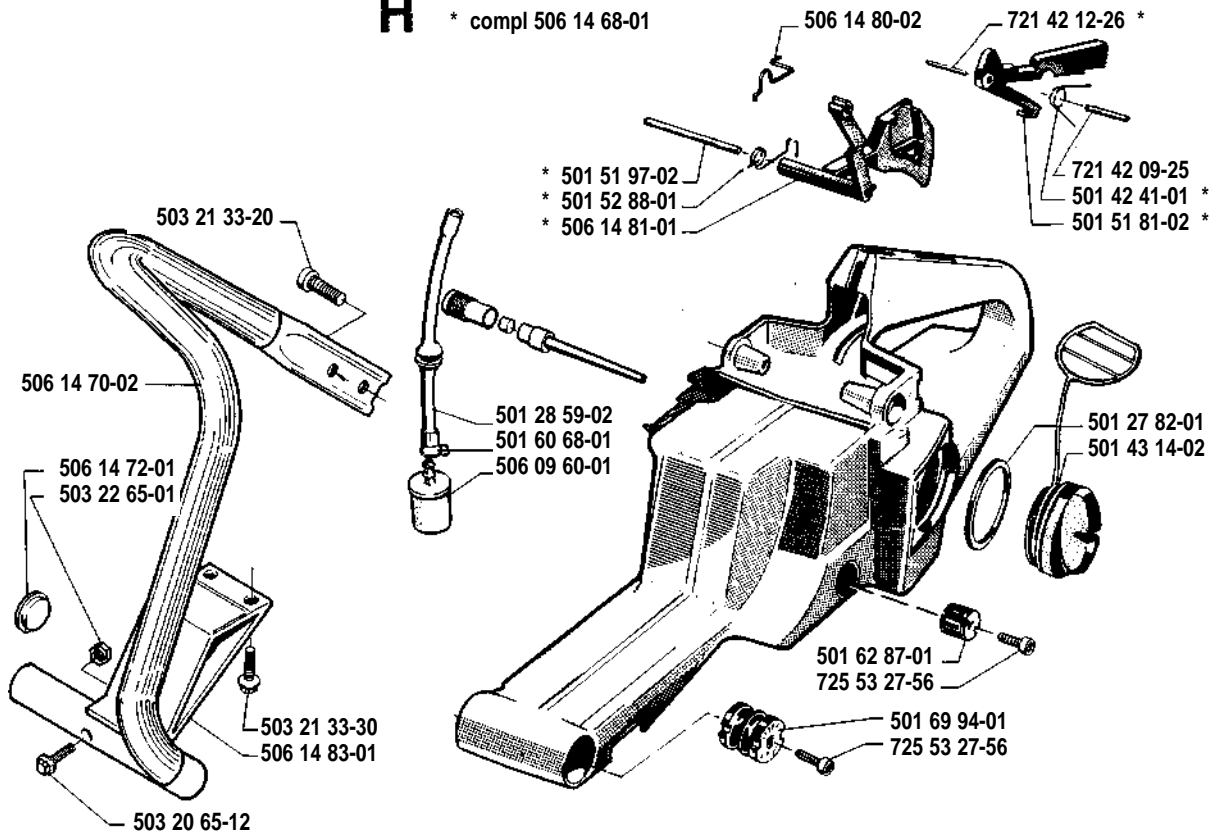


N * compl 503 28 03-12

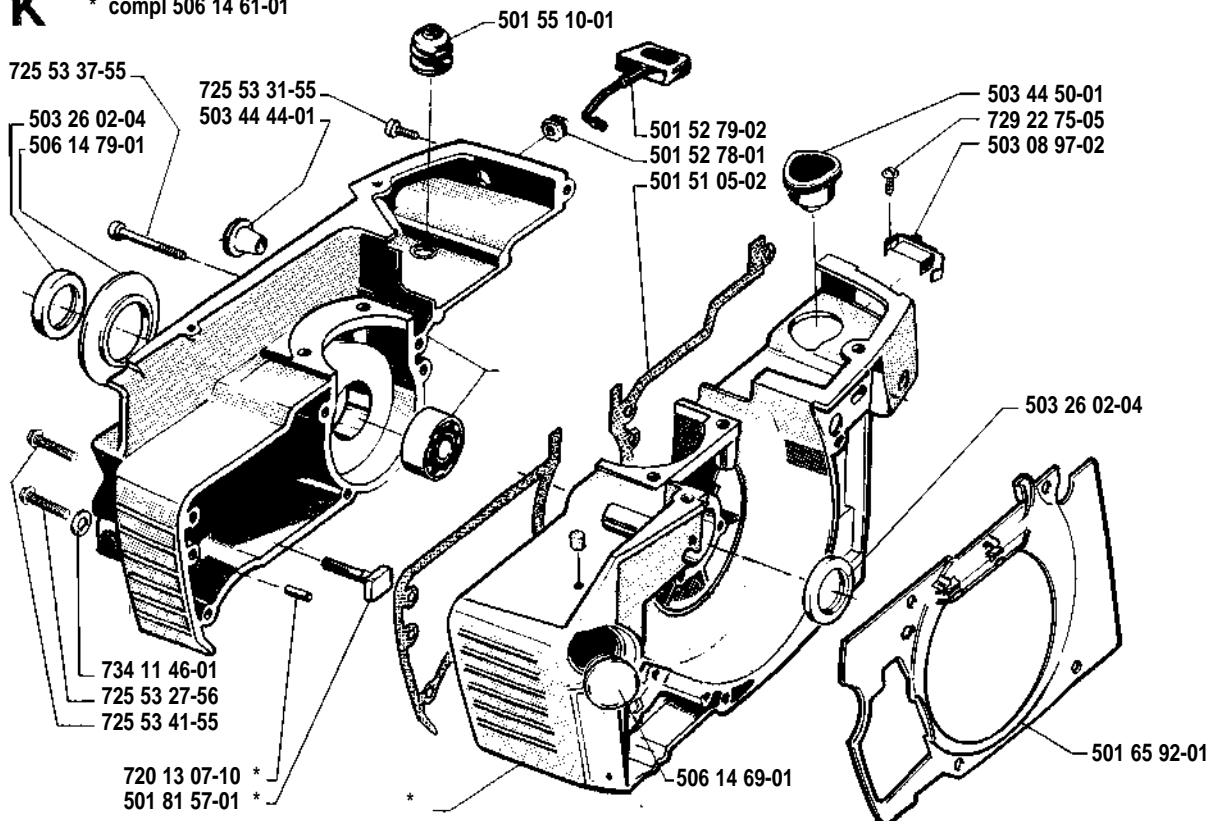
Tillotson HS 255 A



H * compl 506 14 68-01



K * compl 506 14 61-01



G * compl 501 52 84-04

