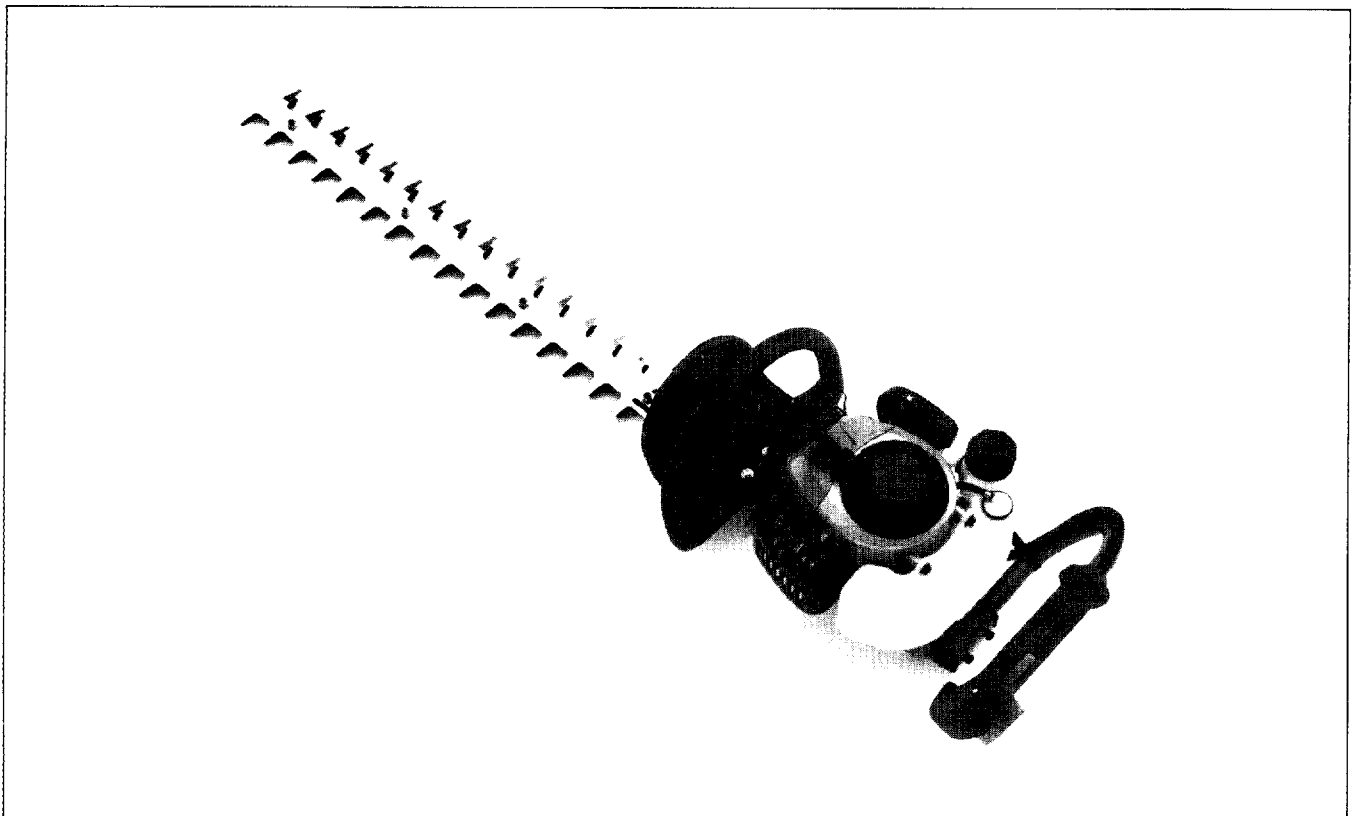


26H



1.1994

Spare parts

Ersatzteile

Pièces détachées

Reserve onderdelen

Repuestos

Reservdelar

Replaces

Ersetzt

Remplace

Vervangt

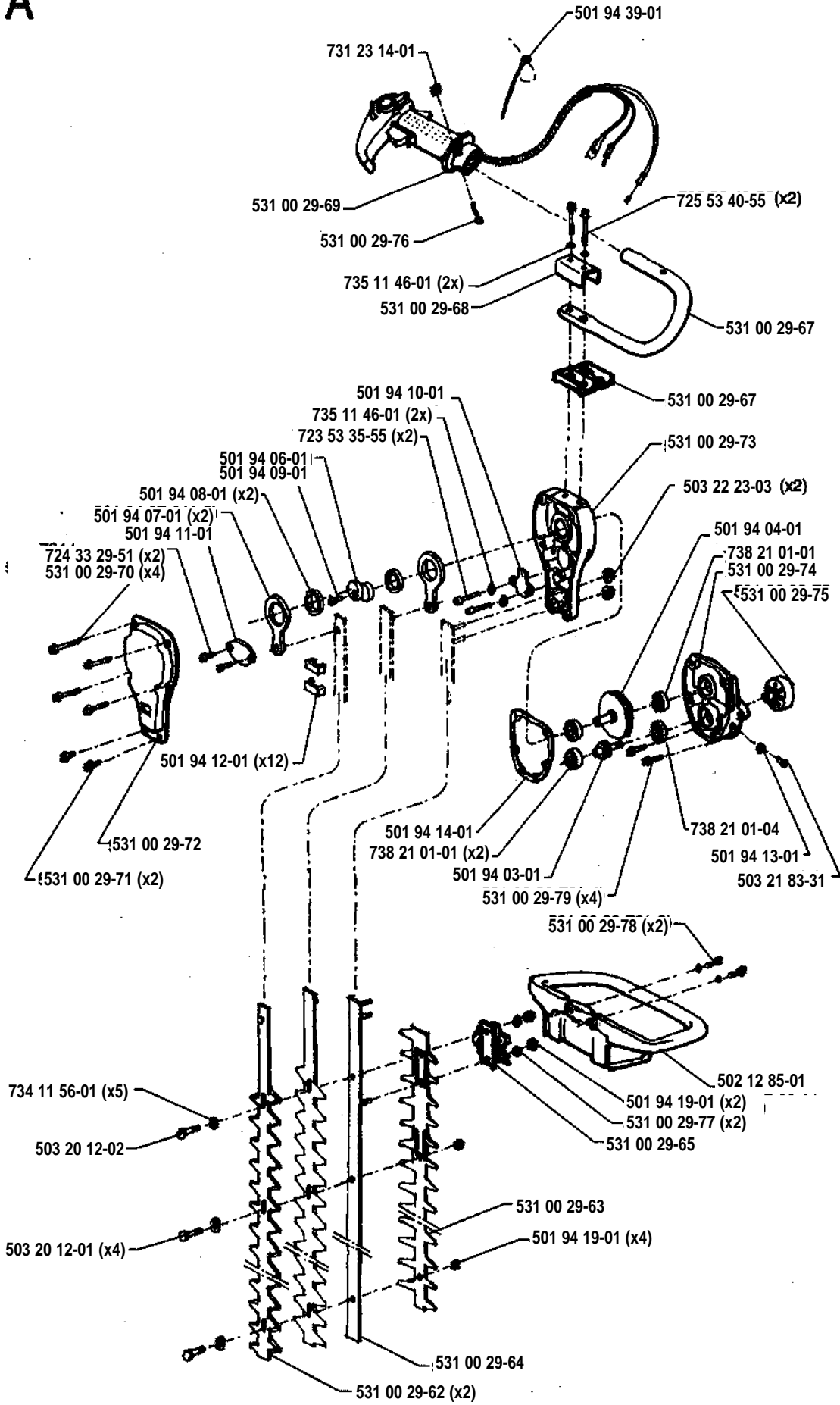
Reemplaza

Ersätter

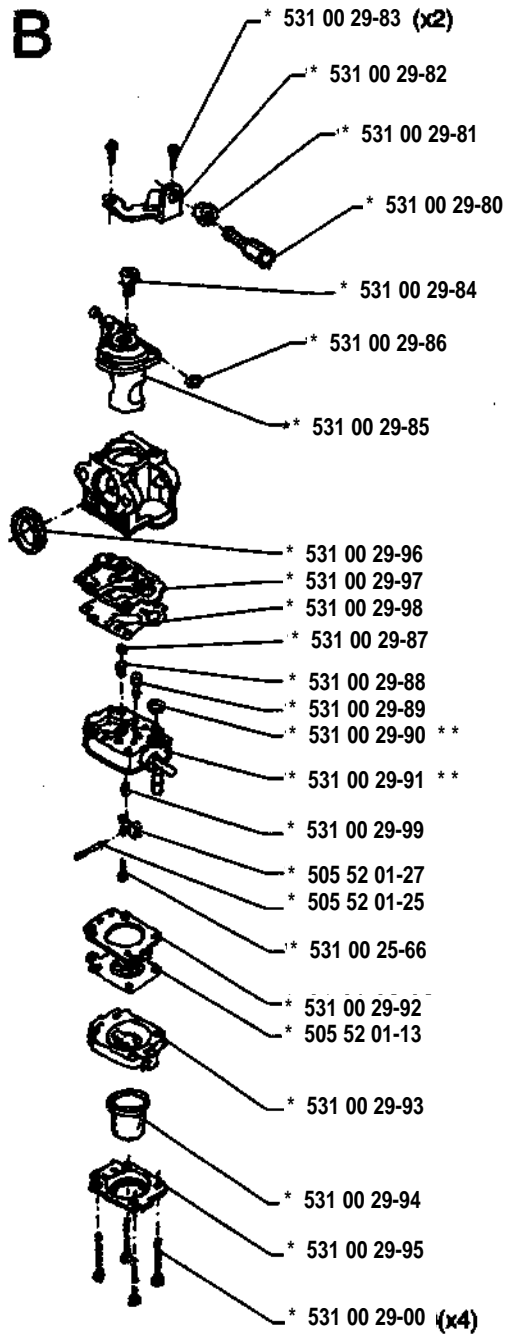
106 23 77-61

PARTNUMBER	SQUARE	PARTNUMBER	SQUARE	PARTNUMBER	SQUARE
501 48 54-01	D	531 00 29-08	H	531 00 29-59	J
501 78 97-01	E	531 00 29-09	H	531 00 29-60	J
501 78 98-01	E	531 00 29-10	H	531 00 29-61	H
501 79 01-01	E	531 00 29-11	H	531 00 29-62	A
501 79 04-01	E	531 00 29-12	H	531 00 29-63	A
501 79 07-01	J	531 00 29-13	F	531 00 29-64	A
501 79 08-01	J	531 00 29-14	F	531 00 29-65	A
501 89 11-01	E	531 00 29-15	F	531 00 29-66	A
501 93 13-01	J	531 00 29-16	F	531 00 29-67	A
501 94 03-01	A	531 00 29-17	F	531 00 29-68	A
501 94 04-01	A	531 00 29-18	G	531 00 29-69	A
501 94 06-01	A	531 00 29-19	G	531 00 29-70	A
501 94 07-01	A	531 00 29-20	G	531 00 29-71	A
501 94 08-01	A	531 00 29-21	D	531 00 29-72	A
501 94 09-01	A	531 00 29-22	D	531 00 29-73	A
501 94 10-01	A	531 00 29-23	D	531 00 29-74	A
501 94 11-01	A	531 00 29-24	D	531 00 29-75	A
501 94 12-01	A	531 00 29-25	C	531 00 29-76	A
501 94 13-01	A	531 00 29-26	C	531 00 29-77	A
501 94 14-01	A	531 00 29-27	C	531 00 29-78	A
501 94 19-01	A	531 00 29-28	B,C	531 00 29-79	A
501 94 26-01	K	531 00 29-29	C	531 00 29-80	B
501 94 28-01	K	531 00 29-30	C	531 00 29-81	B
501 94 39-01	A	531 00 29-31	C	531 00 29-82	B
502 12 85-01	A	531 00 29-32	C	531 00 29-83	B
503 02 02-01	G	531 00 29-33	C	531 00 29-84	B
503 20 12-01	A	531 00 29-34	C	531 00 29-85	B
503 20 12-02	A	531 00 29-35	I	531 00 29-86	B
503 20 51-01	K	531 00 29-36	I	531 00 29-87	B
503 21 48-01	D	531 00 29-37	I	531 00 29-88	B
503 21 83-14	C	531 00 29-38	I	531 00 29-89	B
503 21 83-18	D,F	531 00 29-39	I	531 00 29-90	B
503 21 83-19	C	531 00 29-40	I	531 00 29-91	B
503 21 83-20	H	531 00 29-41	I	531 00 29-92	B
503 21 83-26	F	531 00 29-42	E	531 00 29-93	B
503 21 83-31	A	531 00 29-43	E	531 00 29-94	B
503 21 83-39	J	531 00 29-44	E	531 00 29-95	B
503 22 02-01	G	531 00 29-45	E	531 00 29-96	B
503 22 20-01	I	531 00 29-46	E	531 00 29-97	B
503 22 23-03	A	531 00 29-47	E	531 00 29-98	B
503 23 50-11	D	531 00 29-48	E	531 00 29-99	B
503 25 01-02	G	531 00 29-49	J	723 53 35-55	A
503 25 31-01	G	531 00 29-50	J	724 33 28-51	A
503 26 05-03	H	531 00 29-51	J	725 53 31-55	K
503 27 11-01	G	531 00 29-52	J	725 53 40-55	A
505 52 01-13	B	531 00 29-53	J	731 23 14-01	A
505 52 01-25	B	531 00 29-54	J	734 11 56-01	A
505 52 01-27	B	531 00 29-55	J	735 11 46-01	A
531 00 25-66	B	531 00 29-56	J	738 21 01-01	A
531 00 25-67	J	531 00 29-57	J	738 21 01-04	A
531 00 29-00	B	531 00 29-58	J		

A



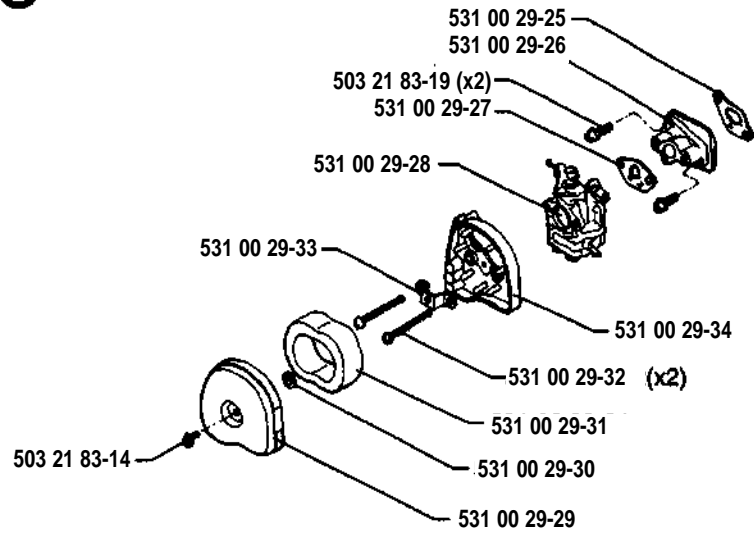
B



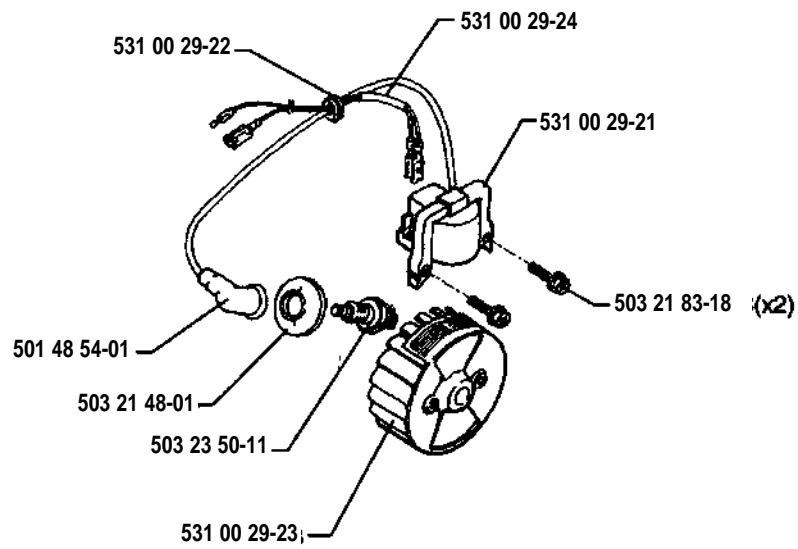
* compl 531 00 29-28

** compl 531 00 29-91

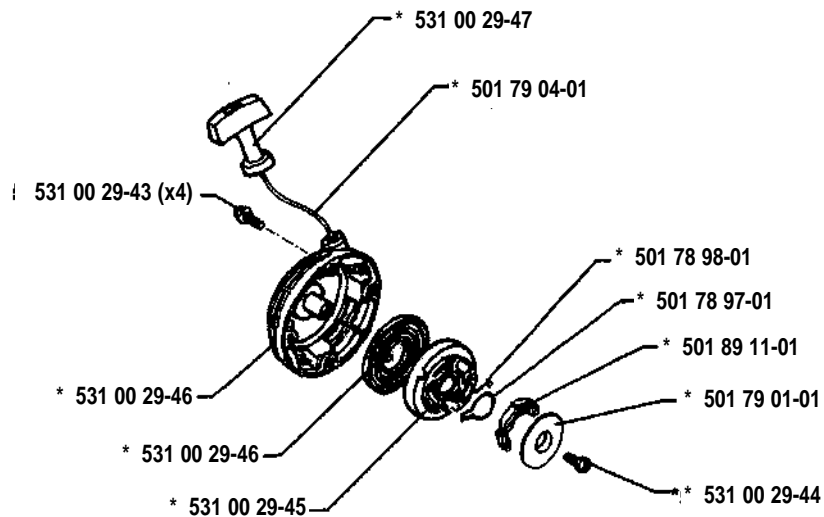
C



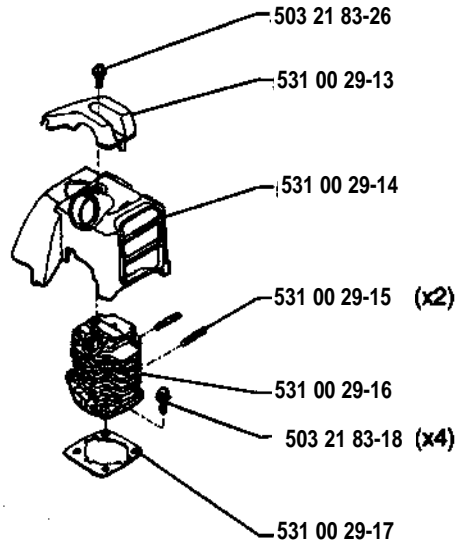
D



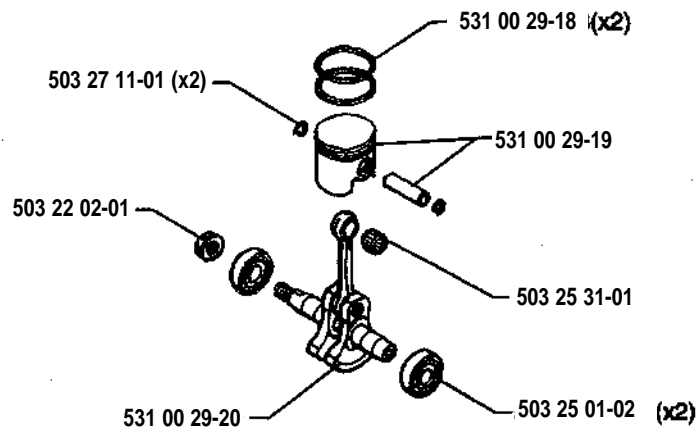
E



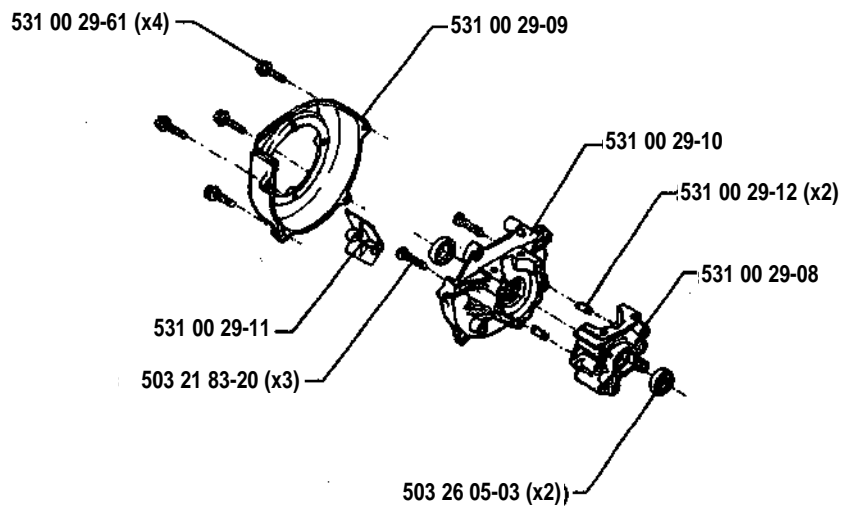
F



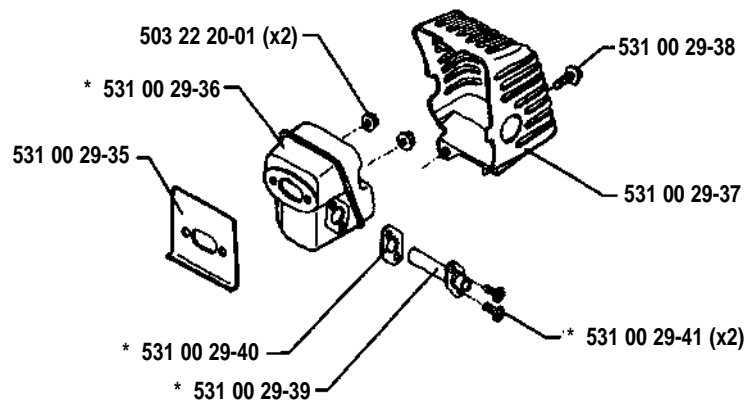
G



H

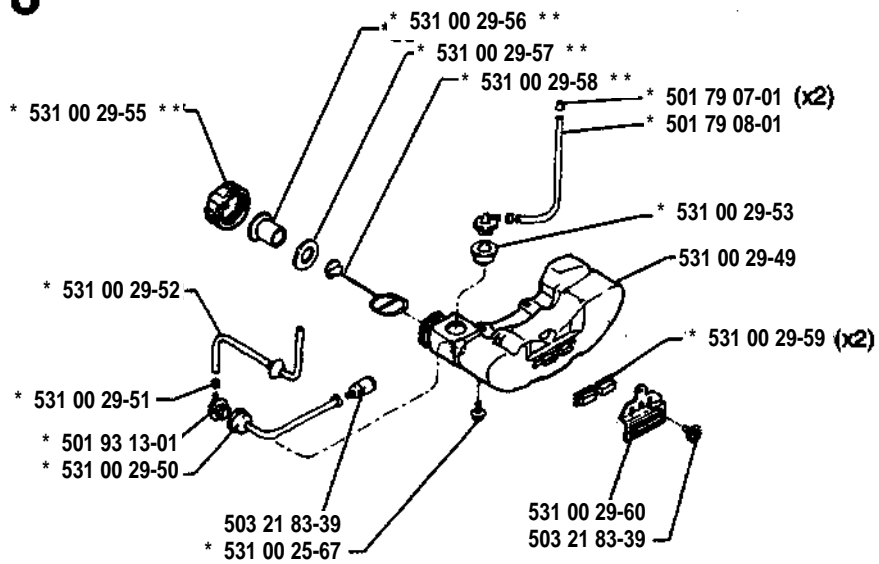


I



* compl 531 00 29-36

J



* compl 531 00 29-49

** compl 531 00 29-54

K

