

3120 K

Spare parts

Replaces

Ersatzteile

Ersetzt

Pièces détachées

Remplace

Reserve onderdelen

Vervangt

Repuestos

Reemplaza

Reservdelar

Ersätter

106 25 53-61

MODEL NUMBER 3120K

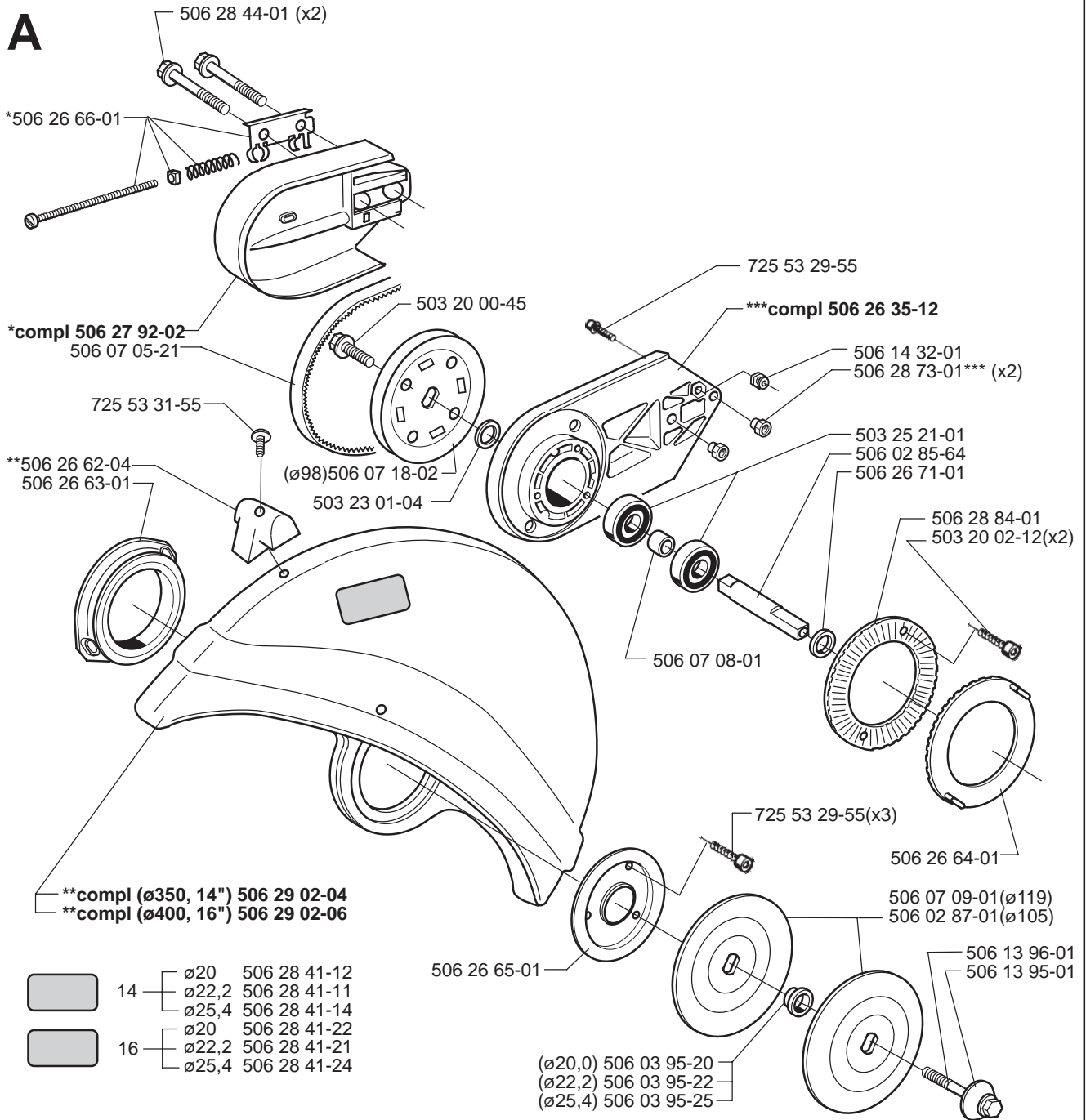
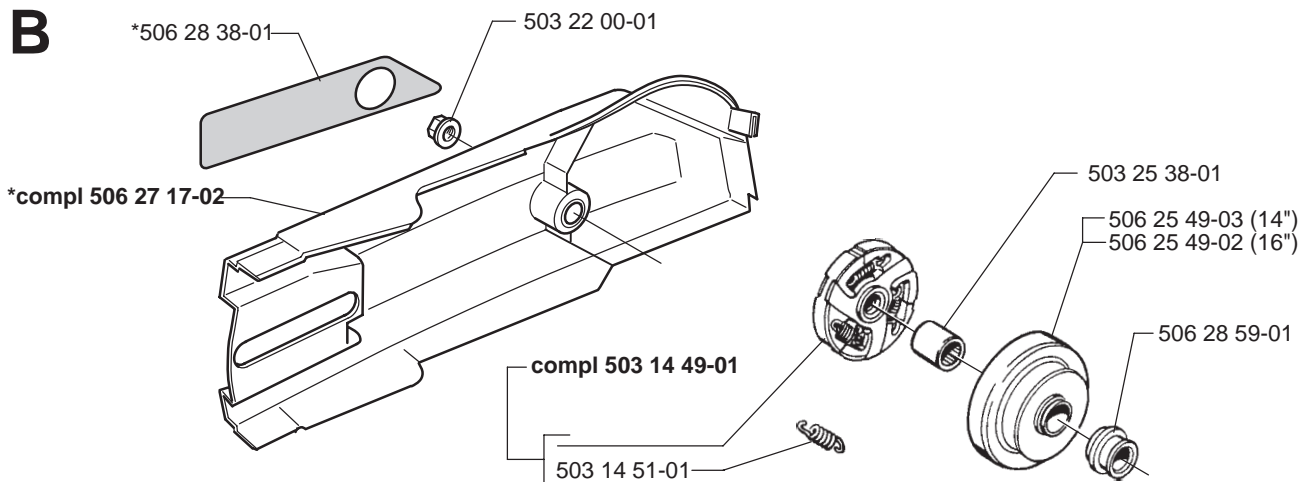
PART NUMBER	SQUARE	NOTE	PART NUMBER	SQUARE	NOTE	PART NUMBER	SQUARE	NOTE	PART NUMBER	SQUARE	NOTE
501 20 15-03	A		503 21 90-08	C		506 24 10-01	L	N	735 88 06-00	O	
501 26 97-04	H		503 22 00-01	GJ		506 24 13-01	L	N	737 44 13-00	O	
501 27 08-01	H		503 22 10-03	H		506 24 14-02	L	N			
501 46 75-01	K	2	503 22 24-02	G		506 24 98-01	L	N			
501 46 84-01	H		503 22 65-04	B		506 25 01-01	L	N			
501 46 85-01	H		503 23 00-01	B		506 25 02-01	L	N			
501 48 54-02	D		503 23 00-05	A		506 25 03-01	L	N			
501 60 68-01	F		503 23 00-42	A		506 25 04-01	L	N			
501 63 06-01	D		503 23 01-04	A		506 25 42-01	L	N			
501 63 48-01	H		503 23 43-02	A		506 25 43-01	L	N			
501 66 61-01	K		503 23 51-08	A		506 25 46-01	L	N			
501 67 32-03	D		503 25 00-02	A		506 25 49-02	L	N			
501 69 17-02	E		503 25 21-01	A		506 25 49-03	L	N			
501 69 28-01	D		503 25 38-01	C	N	506 26 35-12	L	N			
501 76 83-04	K		503 26 02-05	H		506 26 62-02	L	N			
501 81 47-01	E		503 26 30-17	B		506 26 63-01	M				
501 81 57-01	K		503 28 12-17	DG	N	506 26 64-01	M				
501 81 96-02	K		503 28 90-26	F		506 26 65-01	M				
501 81 99-01	G		503 52 58-01	G		506 26 66-01	M				
501 83 98-03	B		503 52 59-01	C		506 26 71-01	M	N			
501 89 25-02	B	N	503 52 60-01	F		506 26 86-01	M	N			
501 89 41-03	H		503 54 39-01	A		506 26 97-01	M				
501 89 50-03	J	N	503 56 34-01	B		506 27 17-02	M	N			
501 89 59-01	A		503 56 45-01	AC		506 27 43-01	M	1			
501 89 65-02	H		503 57 42-01	A		506 27 44-01	M	N			
501 89 66-01	H		503 57 76-02	A		506 27 49-01	M	N			
501 89 67-01	G		503 57 89-01	A		506 27 52-01	N	N			
502 10 31-01	CK		503 59 55-01	A		506 27 53-01	N				
503 11 72-01	H	2	503 59 56-01	A		506 27 87-01	N				
503 11 73-01	H	2	503 59 57-01	A		506 27 92-02	N	N			
503 11 75-01	J		503 59 58-01	B		506 28 37-01	N	N			
503 13 00-02	C	N	503 59 59-01	C		506 28 38-01	N	N			
503 13 13-04	J	N1	503 59 65-01	C		506 28 39-30	N	N			
503 13 16-01	D		503 59 72-01	A		506 28 41-11	N	N			
503 13 18-01	G		503 59 74-02	A		506 28 41-12	N	N			
503 13 20-01	F		503 59 84-01	G		506 28 41-14	N	N			
503 13 24-01	B		503 63 24-01	K		506 28 41-21	N	N			
503 13 25-01	H		503 63 28-01	A	2	506 28 41-22	N	N			
503 13 26-01	F		503 63 29-01	D		506 28 41-24	N	N			
503 13 27-01	J		503 63 31-01	H		506 28 44-01	N				
503 13 29-01	AD		503 63 32-01	A		506 28 59-01	N	N			
503 13 36-02	D		503 66 56-01	A		506 28 71-01	N				
503 13 46-01	E	1	503 71 79-01	A		506 28 71-02	N				
503 13 50-01	A		503 90 17-01	H		506 28 73-01	N				
503 14 05-01	B		503 97 66-01	H		506 28 84-01	N				
503 14 20-72	H		504 35 72-01	K		506 28 97-01	N	N			
503 14 21-06	G		505 31 67-17	K		506 28 98-01	N	N			
503 14 23-01	D		505 31 67-23	F		506 29 02-04	N	N			
503 14 37-01	K		505 31 67-31	J		506 29 02-06	N	N			
503 14 49-01	D		505 31 67-34	H		506 29 24-01	N	1			
503 14 51-01	A		505 31 67-37	F		506 29 39-01	N				
503 14 54-02	A		505 31 67-48	DE		506 29 42-71	N	N			
503 19 22-01	A		506 02 83-01	K		506 29 73-04	N				
503 20 00-45	K		506 02 85-64	K		506 29 73-06	N				
503 20 02-10	A		506 02 87-01	K		530 03 50-15	N				
503 20 02-12	A		506 03 95-20	K		537 00 28-01	N	N			
503 20 02-20	A		506 03 95-22	K		537 00 29-01	N	N			
503 20 02-25	K		506 03 95-25	K		537 00 30-01	N	N			
503 20 02-30	A		506 07 05-21	K	N	537 00 31-01	N	N			
503 20 02-65	A		506 07 08-01	K		537 00 32-01	N				
503 20 03-12	J		506 07 09-01	K		720 12 78-06	N				
503 20 25-20	H		506 07 18-02	K		721 42 06-00	N	N			
503 20 34-25	C		506 09 60-01	K		725 53 29-55	N				
503 20 34-30	C		506 13 95-01	K		725 53 31-55	N				
503 21 05-25	G		506 13 96-01	K		725 53 39-55	N				
503 21 06-16	G		506 14 32-01	K		725 53 41-55	N				
503 21 45-16	H		506 23 34-01	K		725 53 68-55	N				
503 21 60-25	C		506 23 70-01	K	N	725 53 70-55	N				
503 21 75-65	J	N	506 24 04-01	K	N	729 53 40-01	N				
503 21 89-02	G	N	506 24 05-01	L	N	735 11 73-50	O				

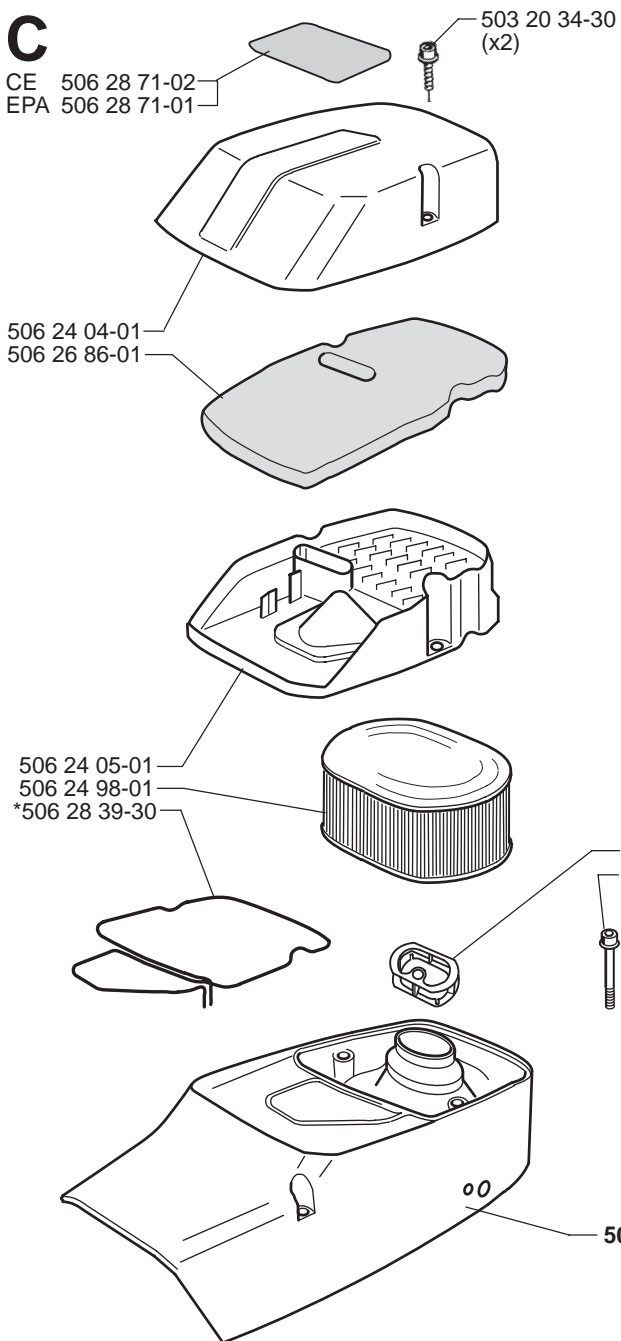


1=506 29 24-01 Set of gaskets
Dichtungssatz
Jeu de joints
Juego de juntas
Packningssatz

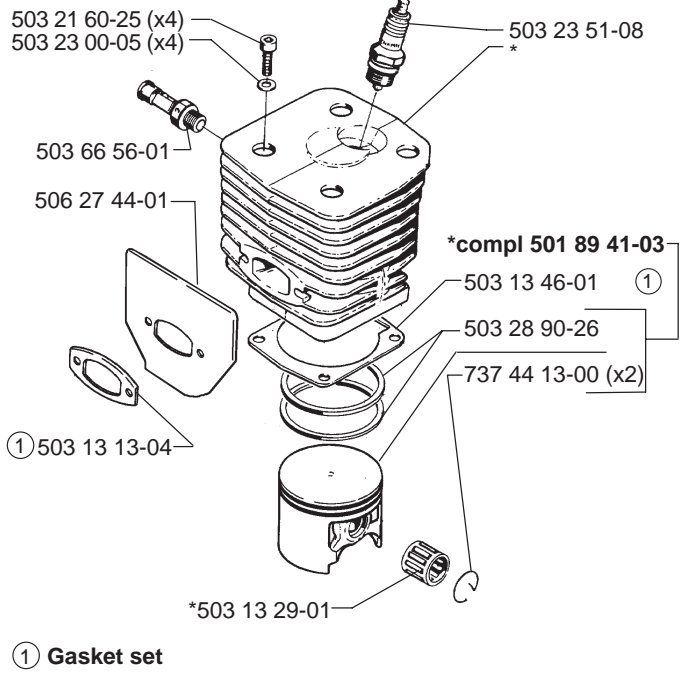
EPA=Environmental Protection Agency

2=503 54 79-02 Set of gaskets
Dichtungssatz
Jeu de joints
Juego de juntas
Packningssatz

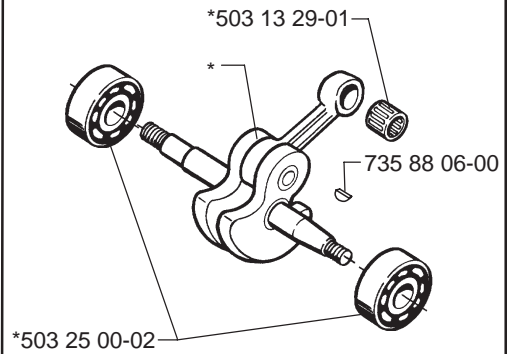
A**B**

CCE 506 28 71-02
EPA 506 28 71-01**D**

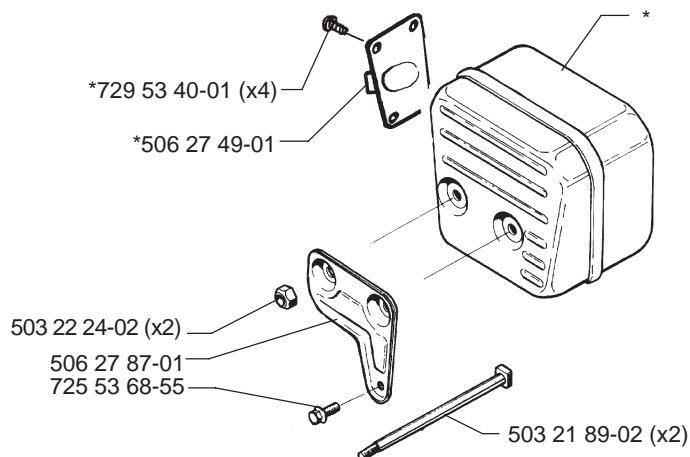
*compl 506 29 42-71

**E**

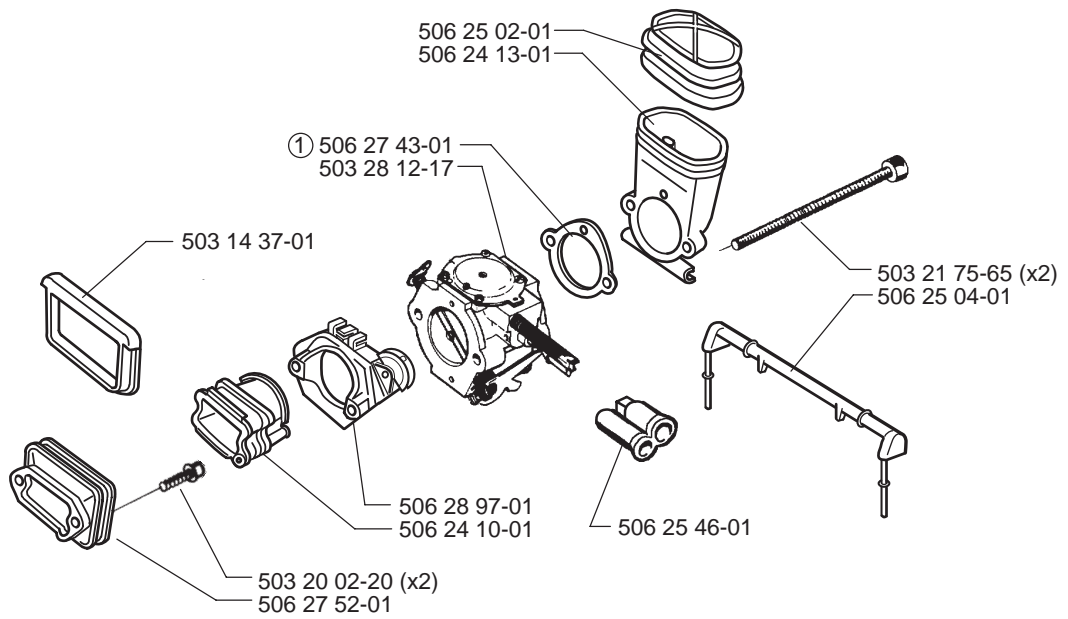
*compl 503 14 20-72

**F**

*compl 503 13 00-02

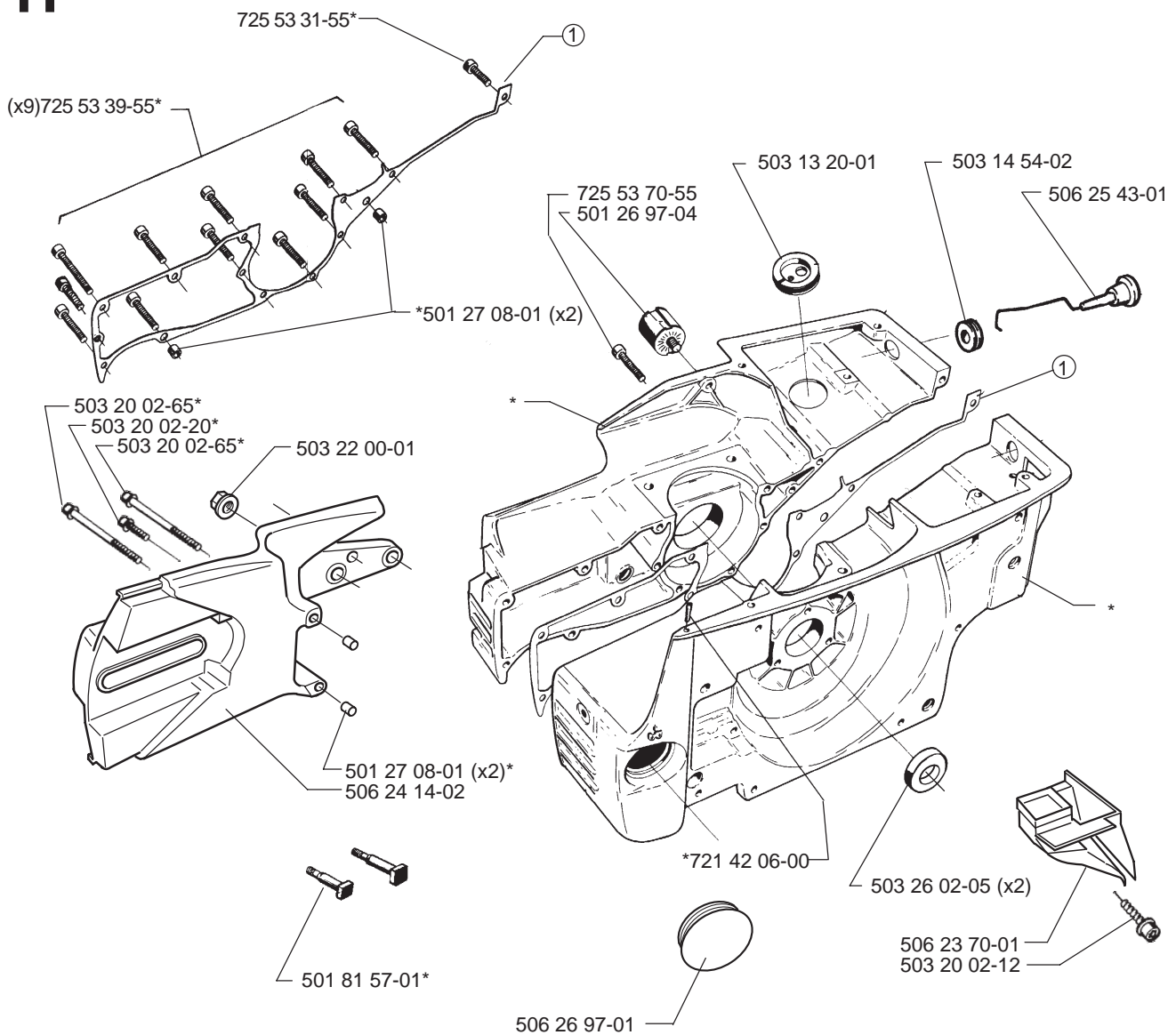


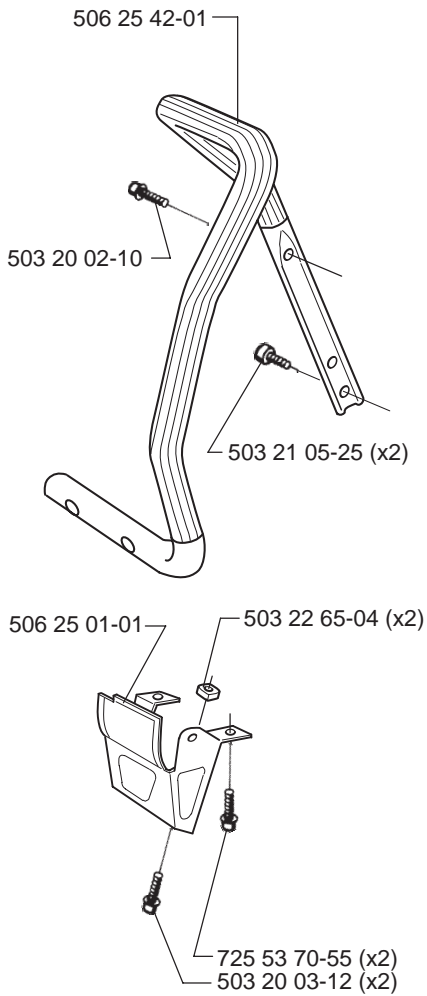
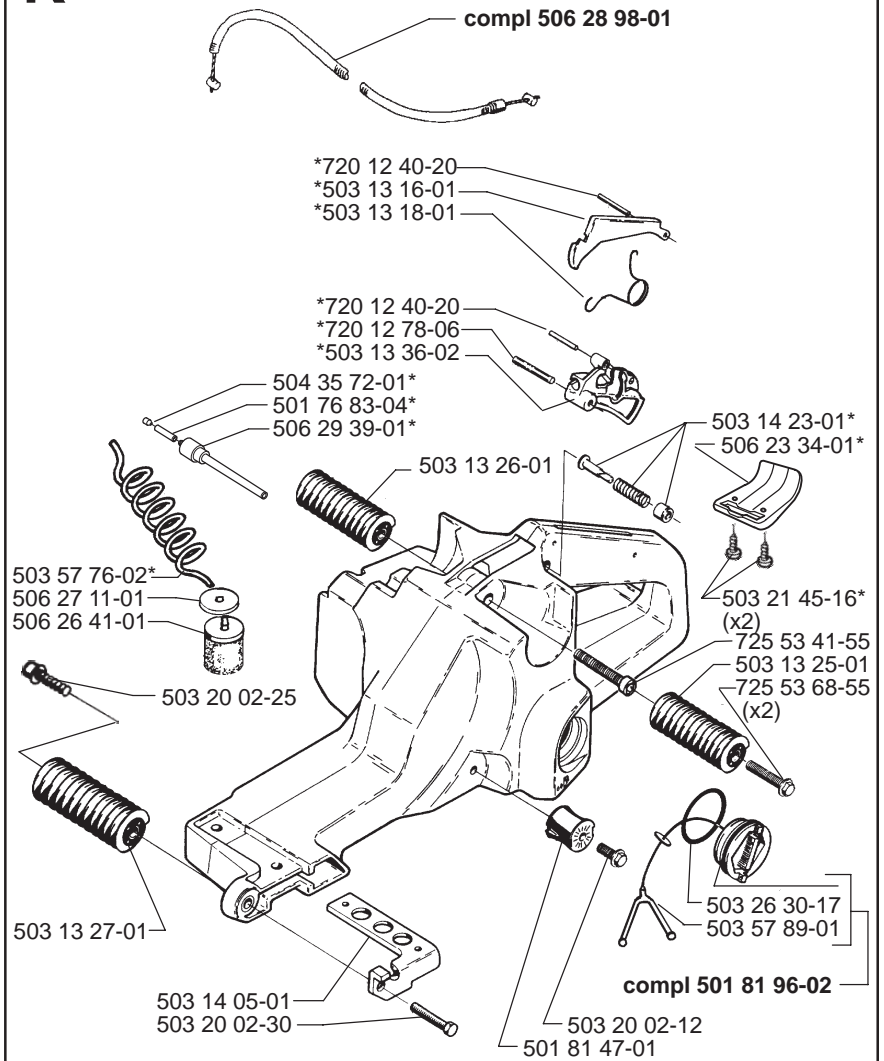
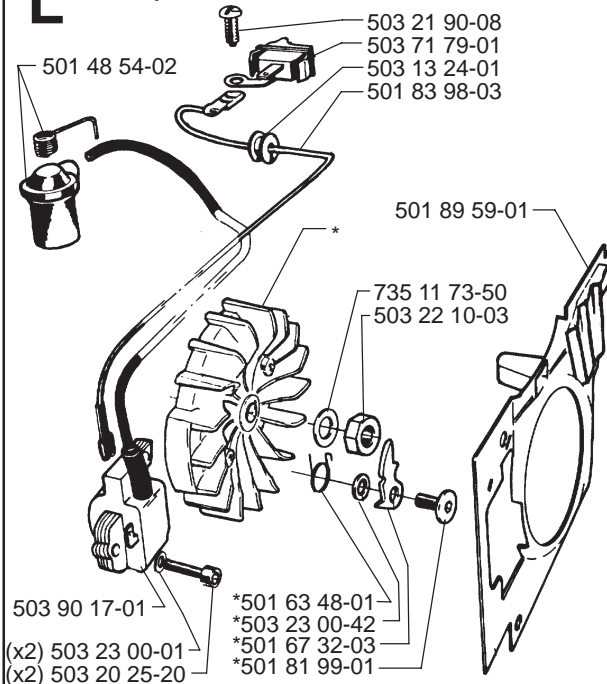
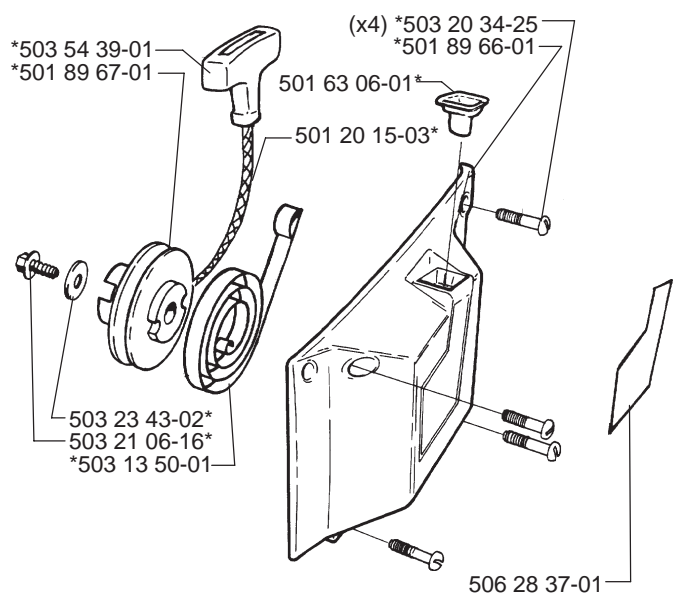
G



H

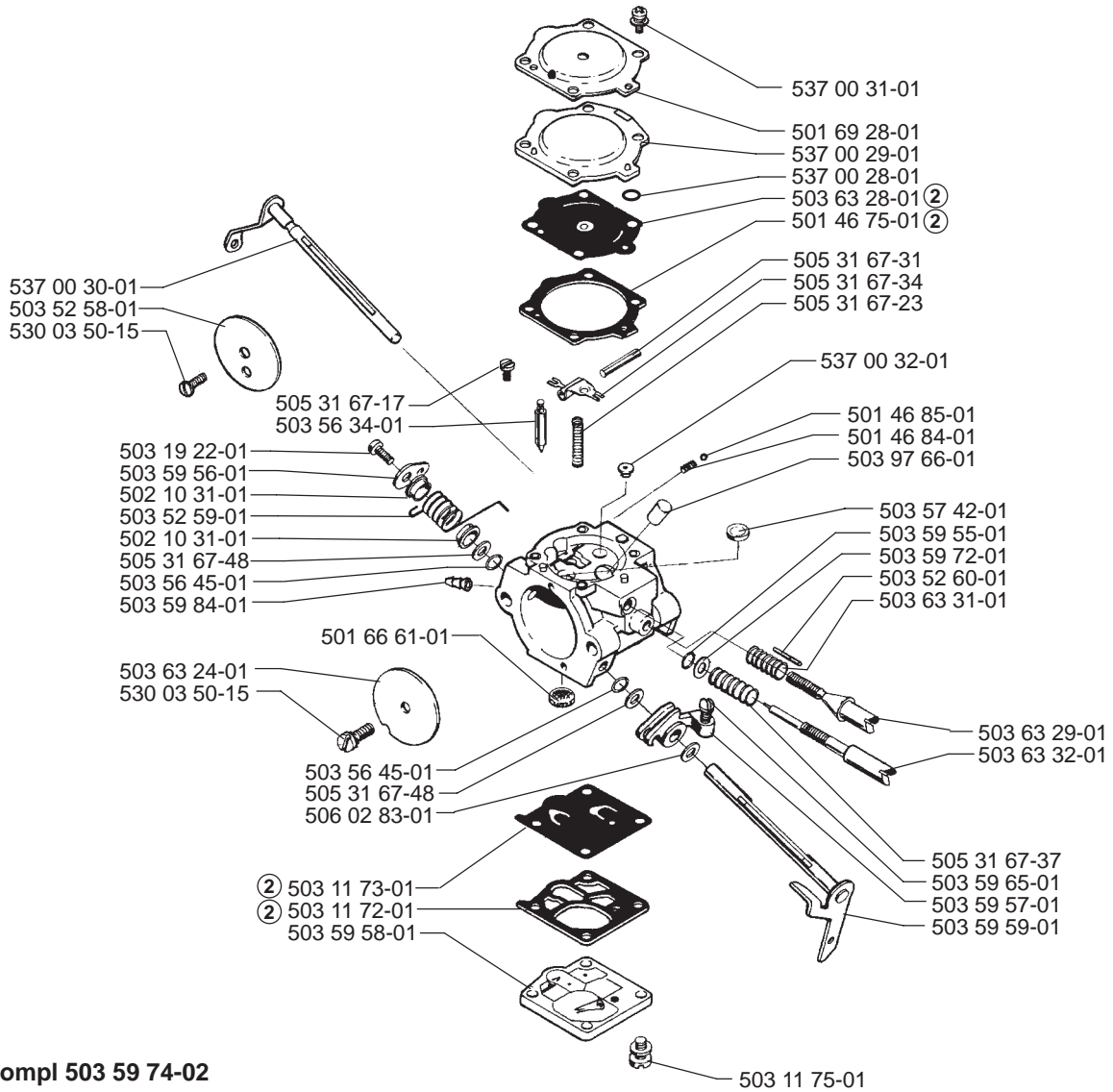
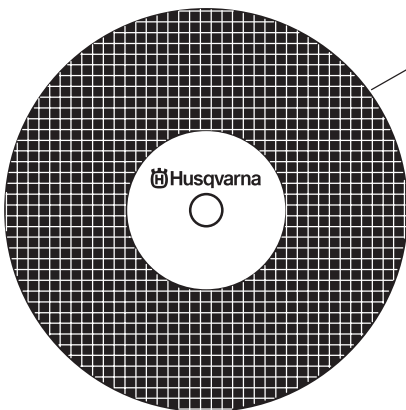
*compl 501 89 25-72



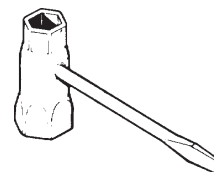
J**K*****compl 503 14 21-06****L*****compl 501 89 50-03****M*****compl 501 89 65-02**

N

compl 503 28 12-17

Walbro WG 9**O**

506 29 73-04 14" (350/20)
 506 29 73-06 16" (400/20)



501 69 17-02