

3120K, 3120K EPA

Spare parts

Ersatzteile

Pièces détachées

Reserve onderdelen

Repuestos

Reservdelar

Replaces

Ersetzt

Remplace

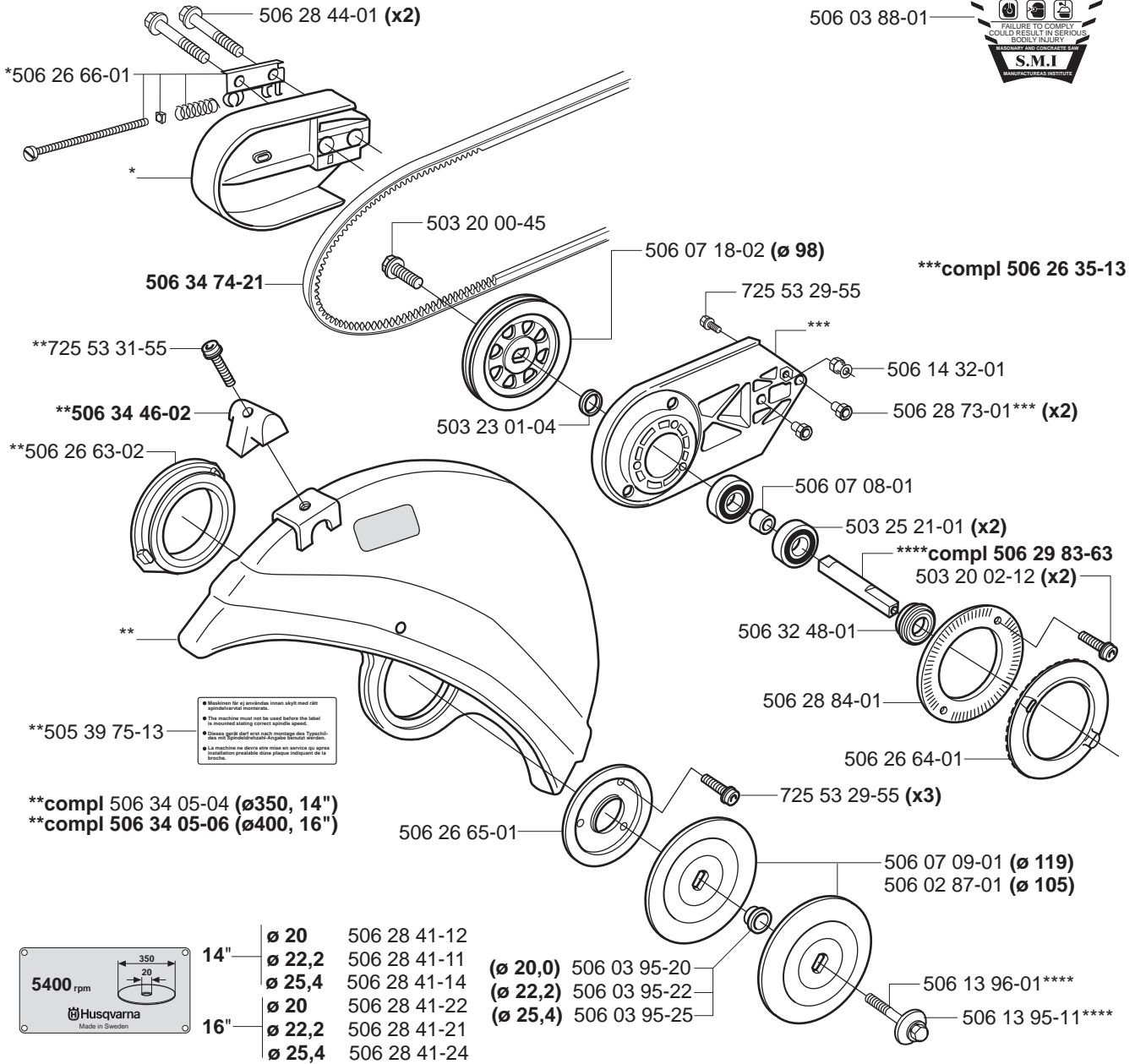
Vervangt

Reemplaza

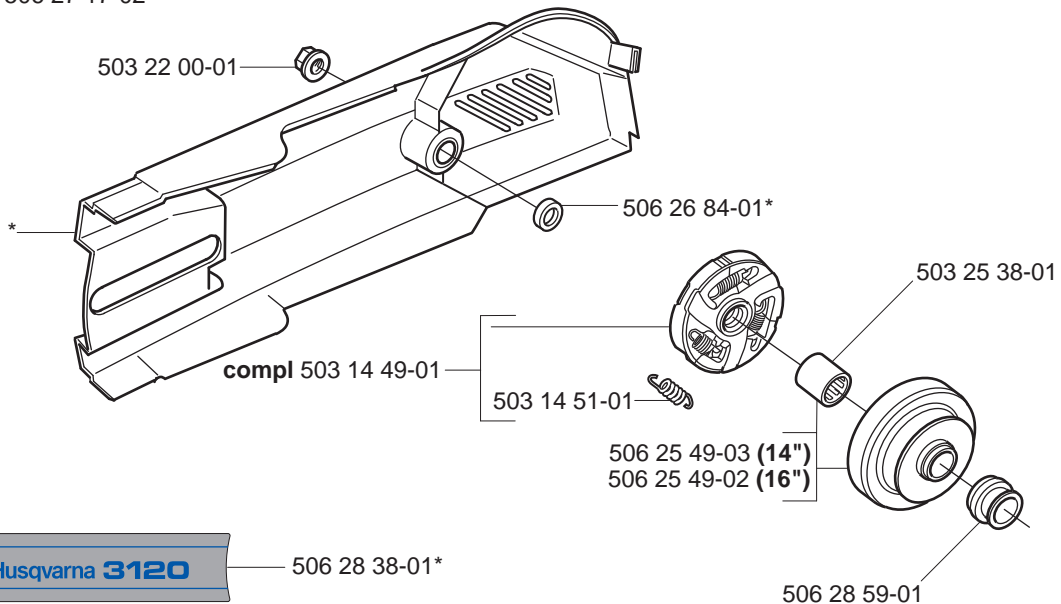
Ersätter

106 25 53-64

A *compl 506 27 92-02



B *compl 506 27 17-02



C

503 20 34-30 (x2)

506 24 04-01

506 26 86-01

506 24 05-01

506 28 71-11 EPA USA

506 24 98-01

*506 28 39-30

506 28 71-12 CE

506 25 03-01

503 20 02-30 (x4)

506 28 71-13 EPA Canada

*compl 506 27 53-01



WARNING

Cutters can be dangerous!

- For safe operation follow all safety precautions in operator's manual.
- Only trained and qualified personnel shall operate this cutter.
 - Only use high speed reinforced wheels approved for free hand cutting and for the maximum speed rating of cutter.
 - Before each use, check wheel and guard for any damage.
 - Use ear, eye, head and hand protectors, protective clothing and protective footwear.
 - Keep all bystanders well away from the operating area.
 - Adjust guard to keep rear section in close workplace contact.

IMPORTANT ENGINE INFORMATION Husqvarna 3120K 119cc 3HVXS,1195RB
HUSQVARNA AB HUSQVARNA SWEDEN EM
THIS ENGINE CONFORMS TO U.S. EPA PHI EMISSION REGULATION FOR SMALL NONROAD ENGINES.
REFER TO OPERATOR'S MANUAL FOR MAINTENANCE SPECIFICATIONS AND ADJUSTMENTS.



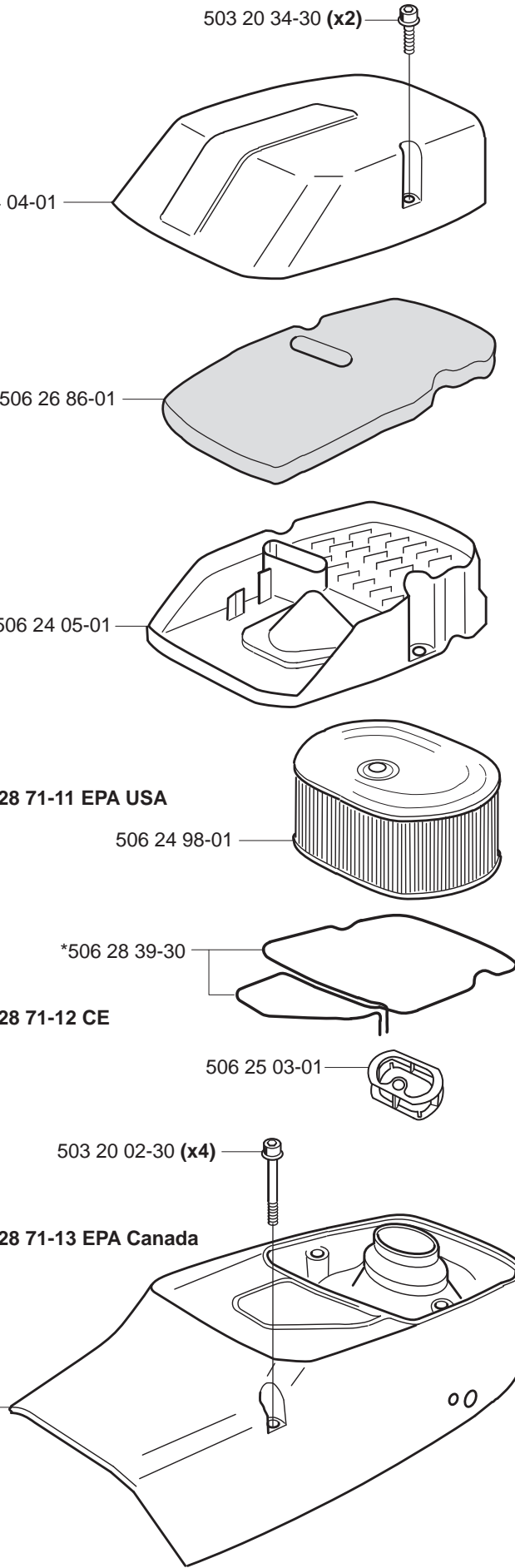
CE PCG N1485

Husqvarna



IMPORTANT ENGINE INFORMATION Husqvarna 3120K 119cc 3HVXS,1195RB
HUSQVARNA AB HUSQVARNA SWEDEN EM
THIS ENGINE CONFORMS TO U.S. EPA PHI EMISSION REGULATION FOR SMALL NONROAD ENGINES.
REFER TO OPERATOR'S MANUAL FOR MAINTENANCE SPECIFICATIONS AND ADJUSTMENTS.

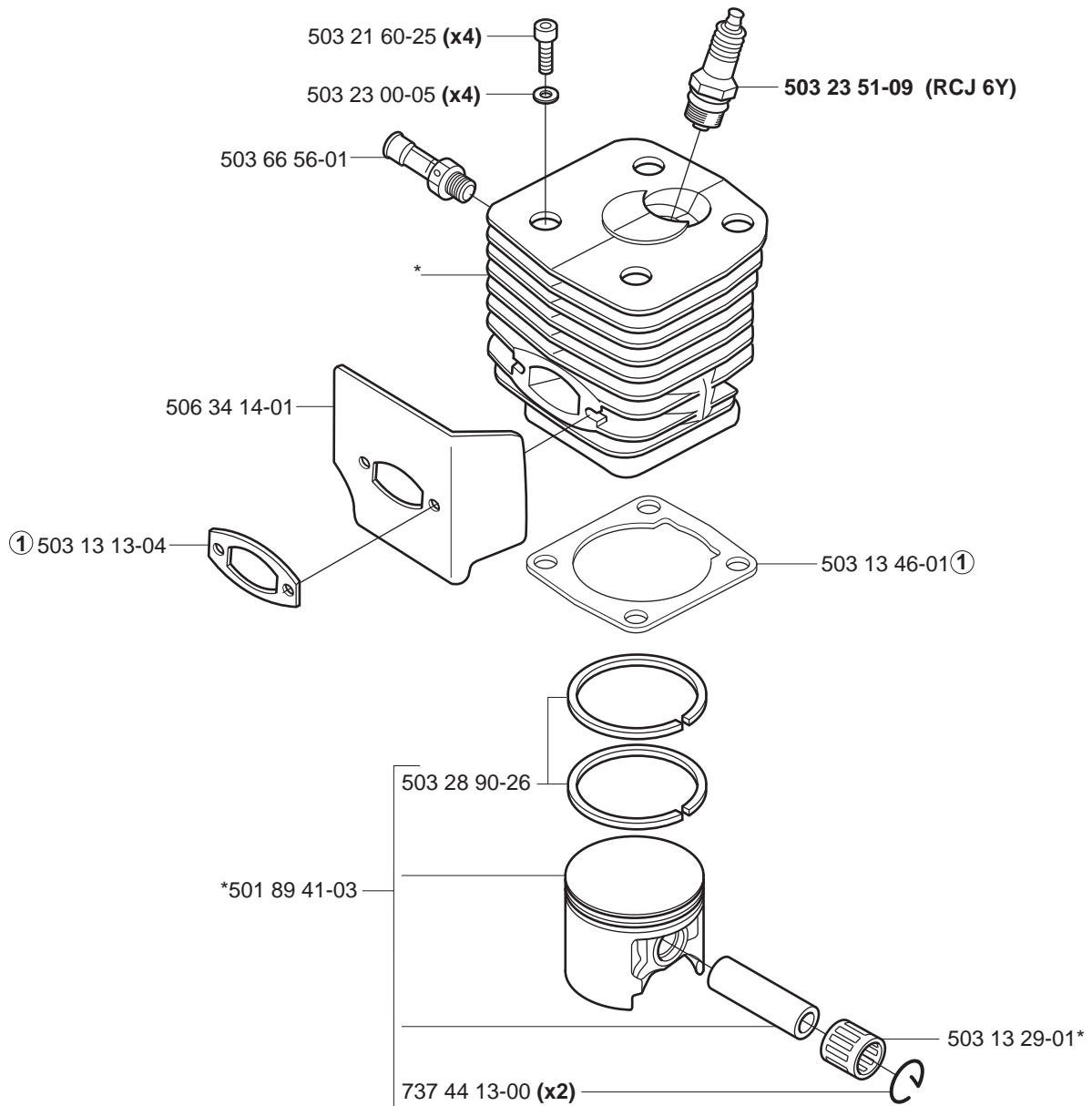
Husqvarna



D

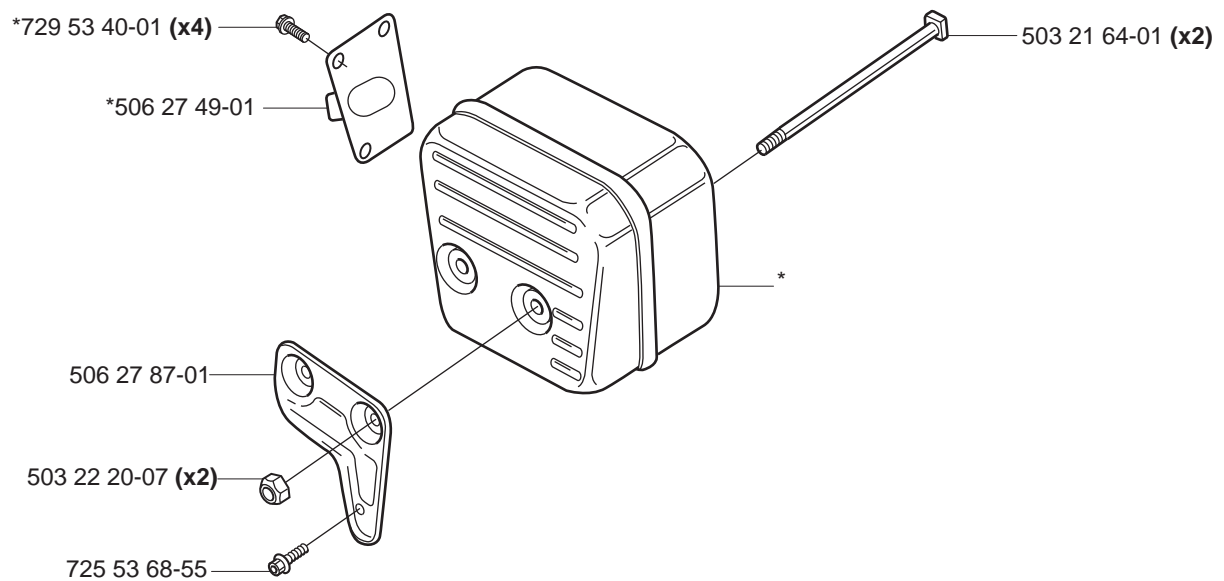
*compl 506 29 42-71

① Gasket set 506 29 24-02



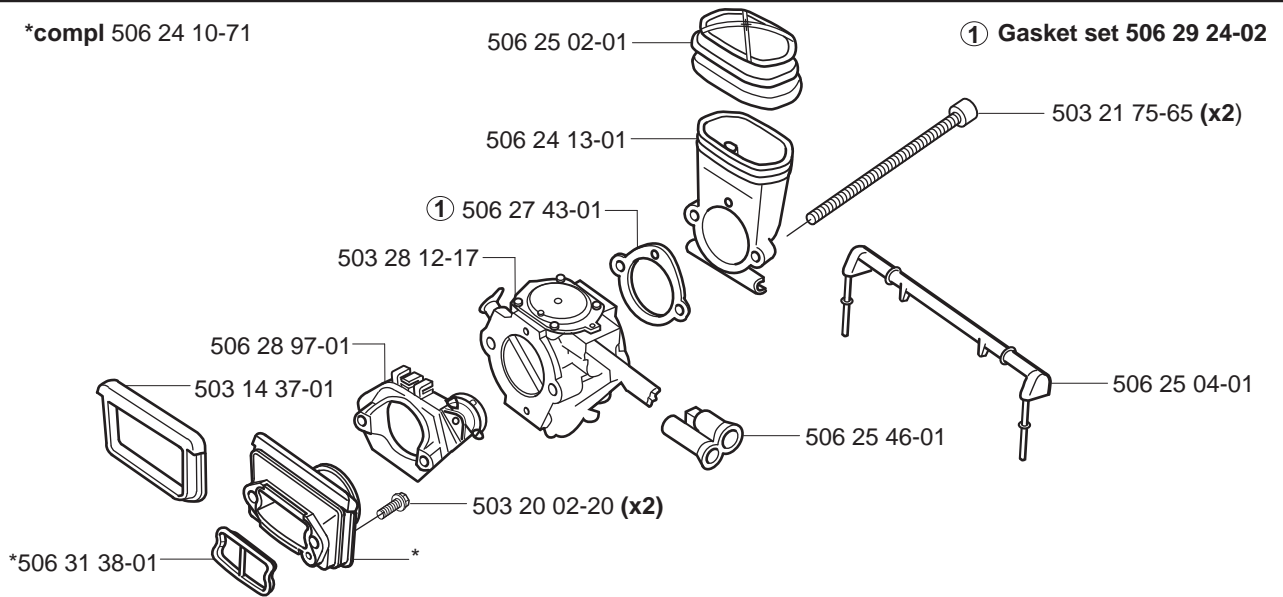
E

*compl 503 13 00-02

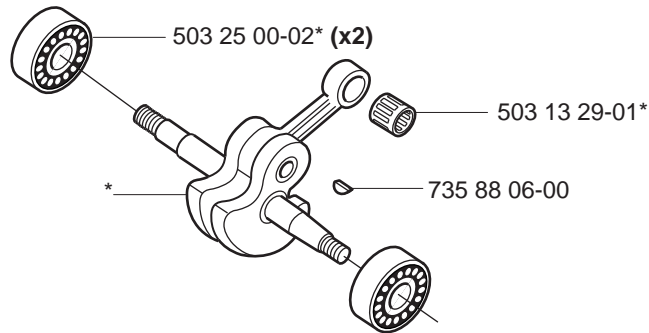


F

*compl 506 24 10-71

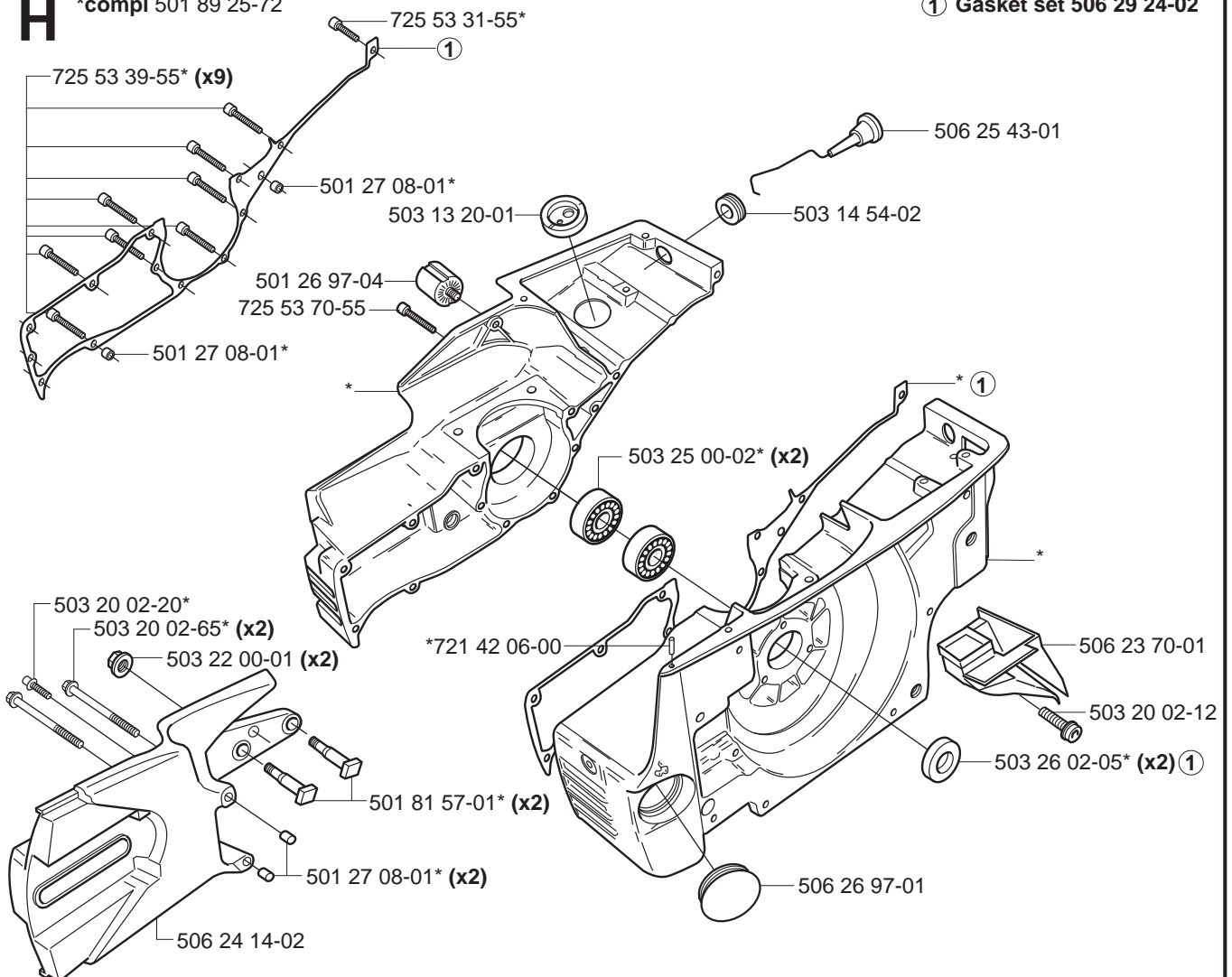
**G**

*compl 503 14 20-73

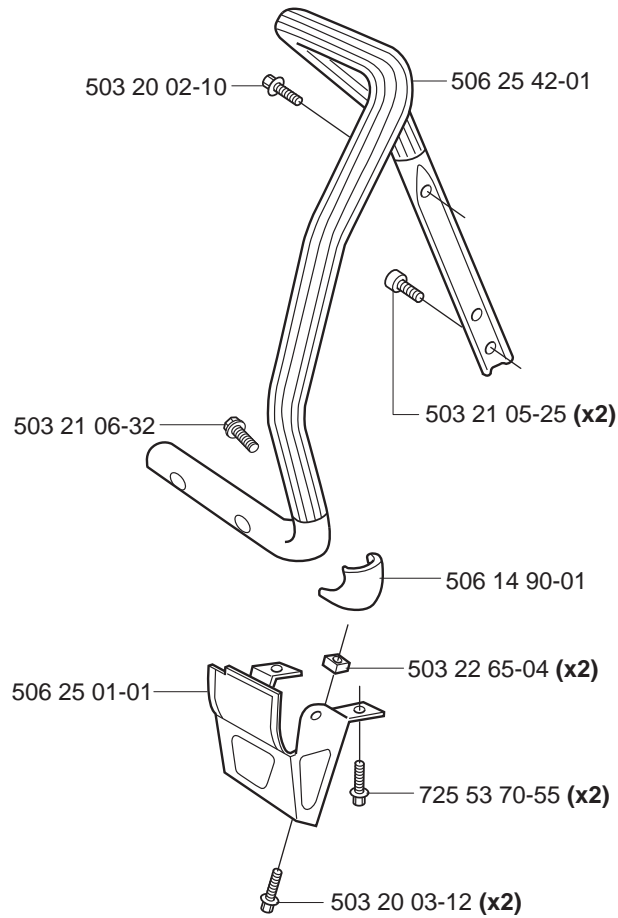
**H**

*compl 501 89 25-72

① Gasket set 506 29 24-02

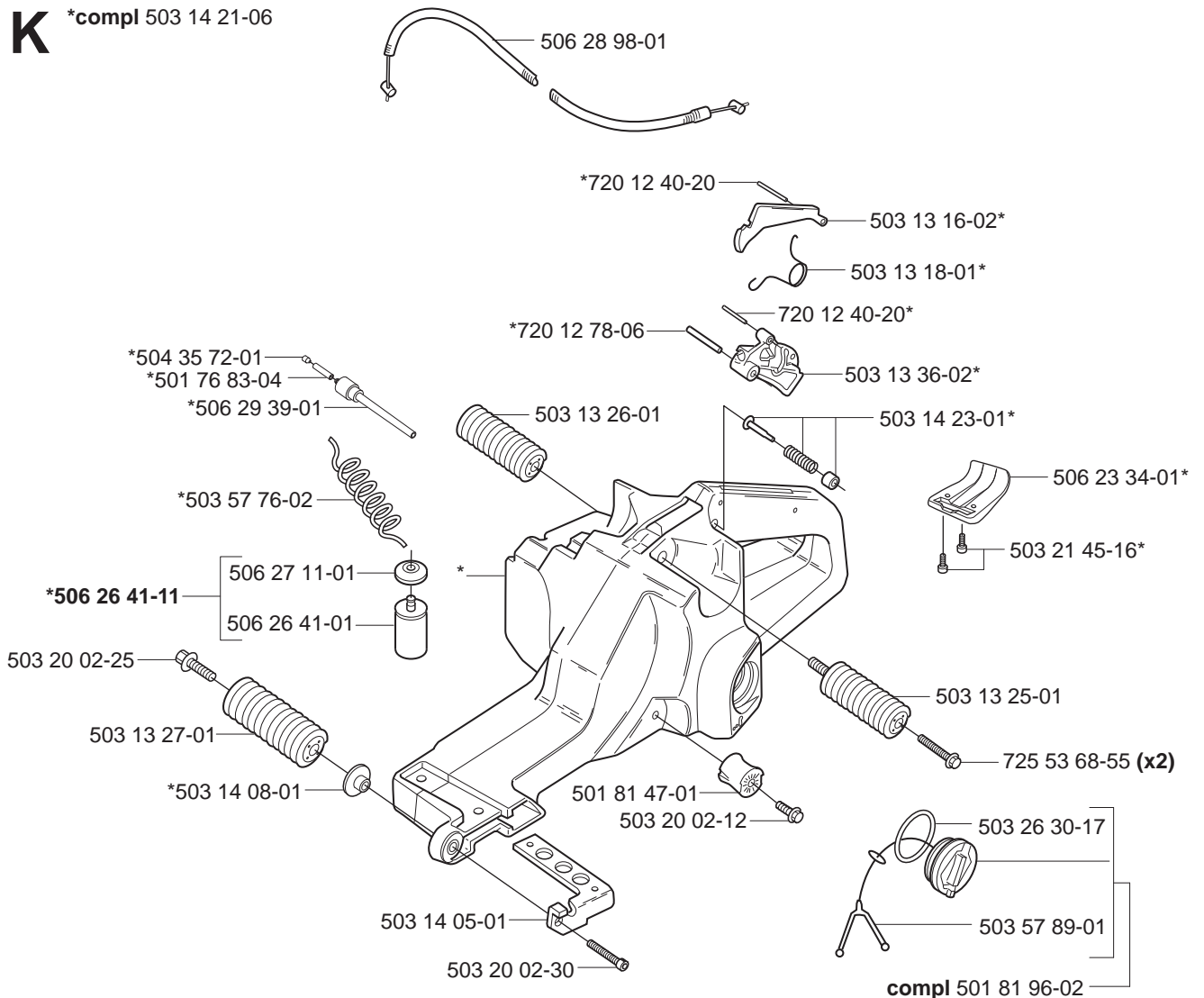


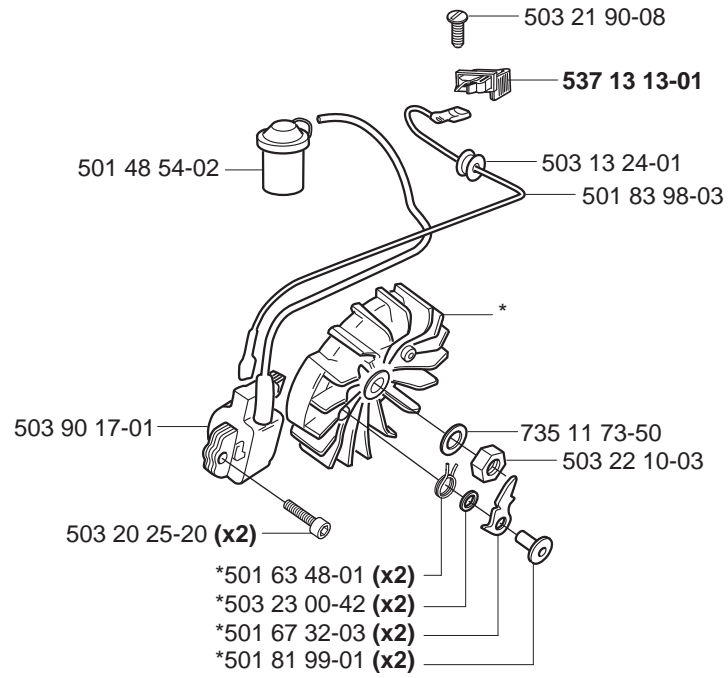
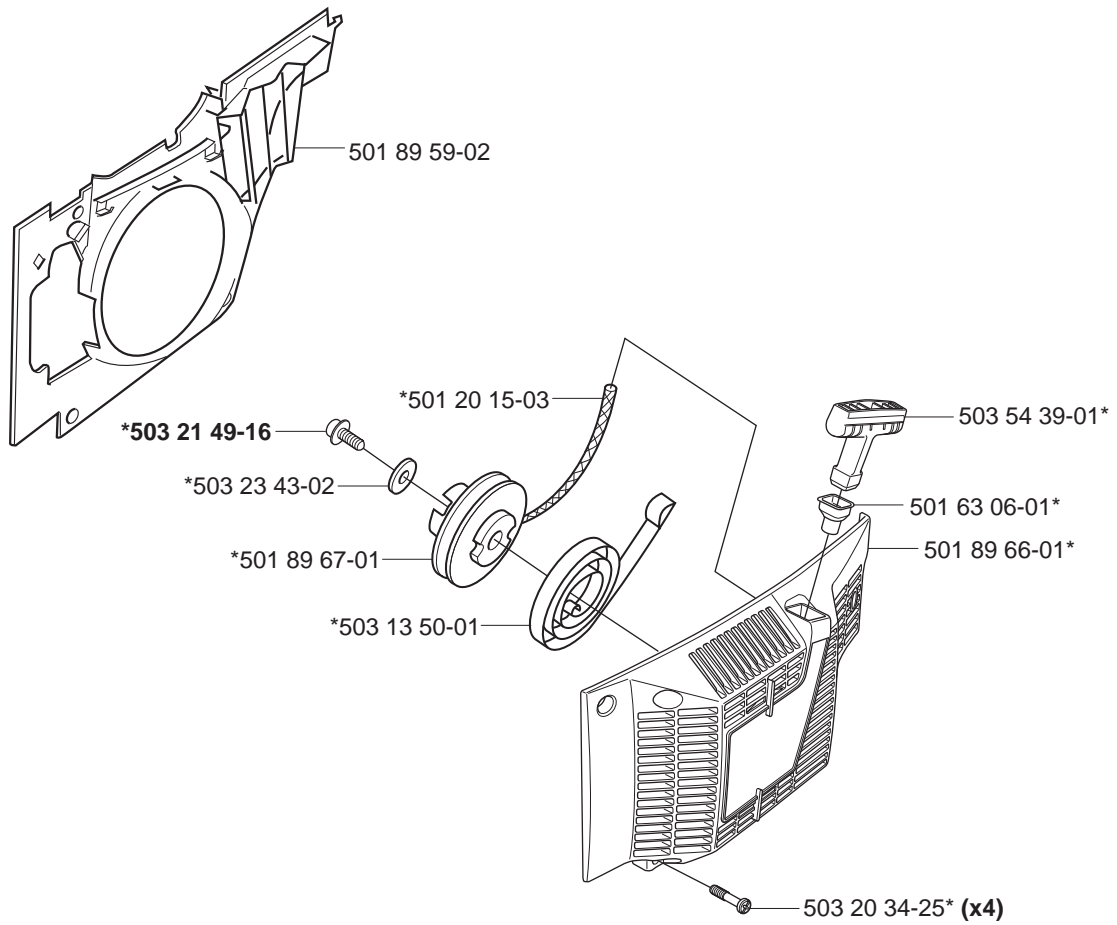
J



K

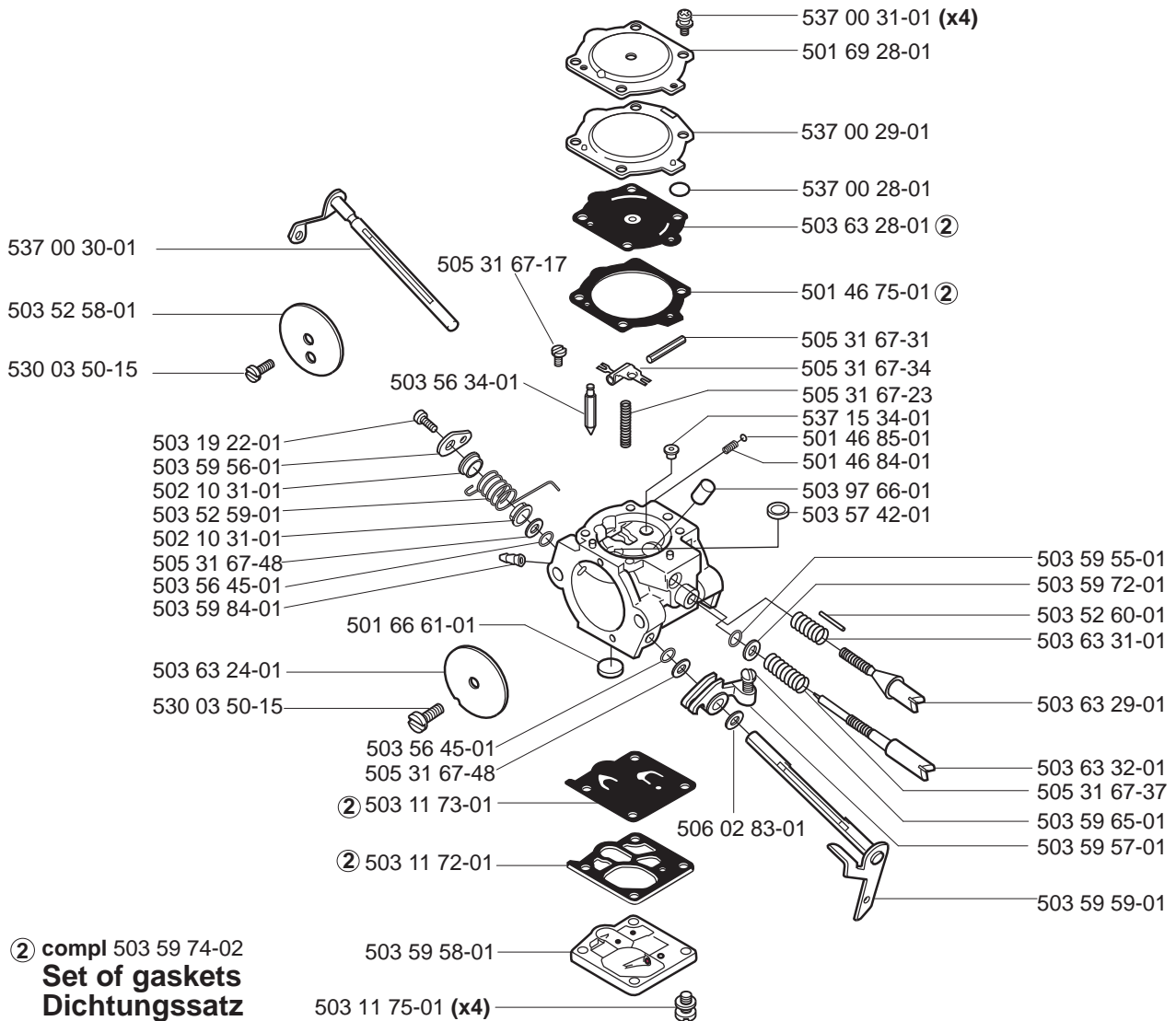
*compl 503 14 21-06



L***compl 501 89 50-03****M*****compl 501 89 65-02**

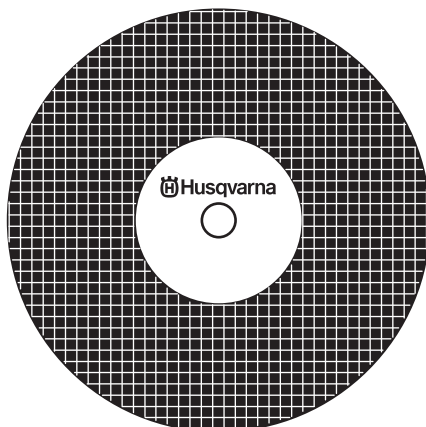
537 09 69-02





② compl 503 59 74-02
Set of gaskets
Dichtungssatz
Jeu de joints
Juego de juntas
Packningssats

P Accessories
 Zubehöre
 Accessories
 Accessorios
 Tillbehör

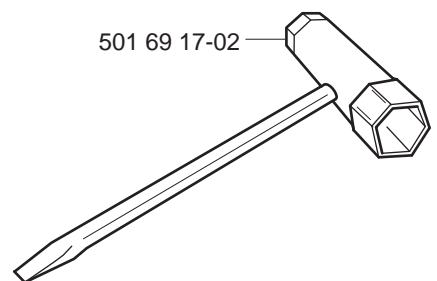


506 36 78-04 14" (350/20)
 506 36 78-06 16" (400/20)

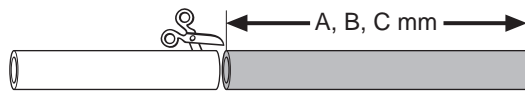
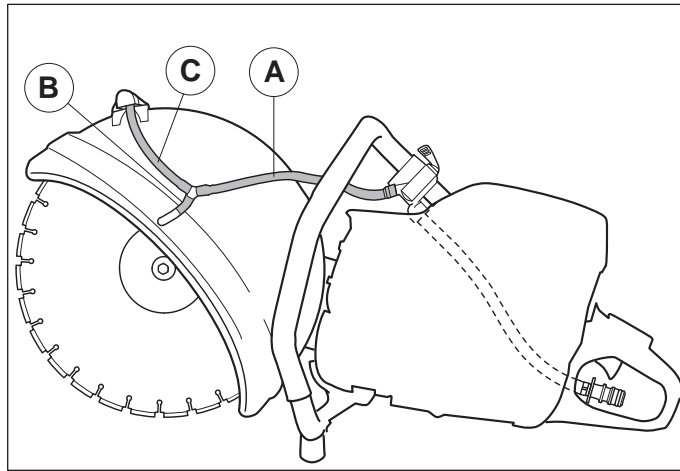
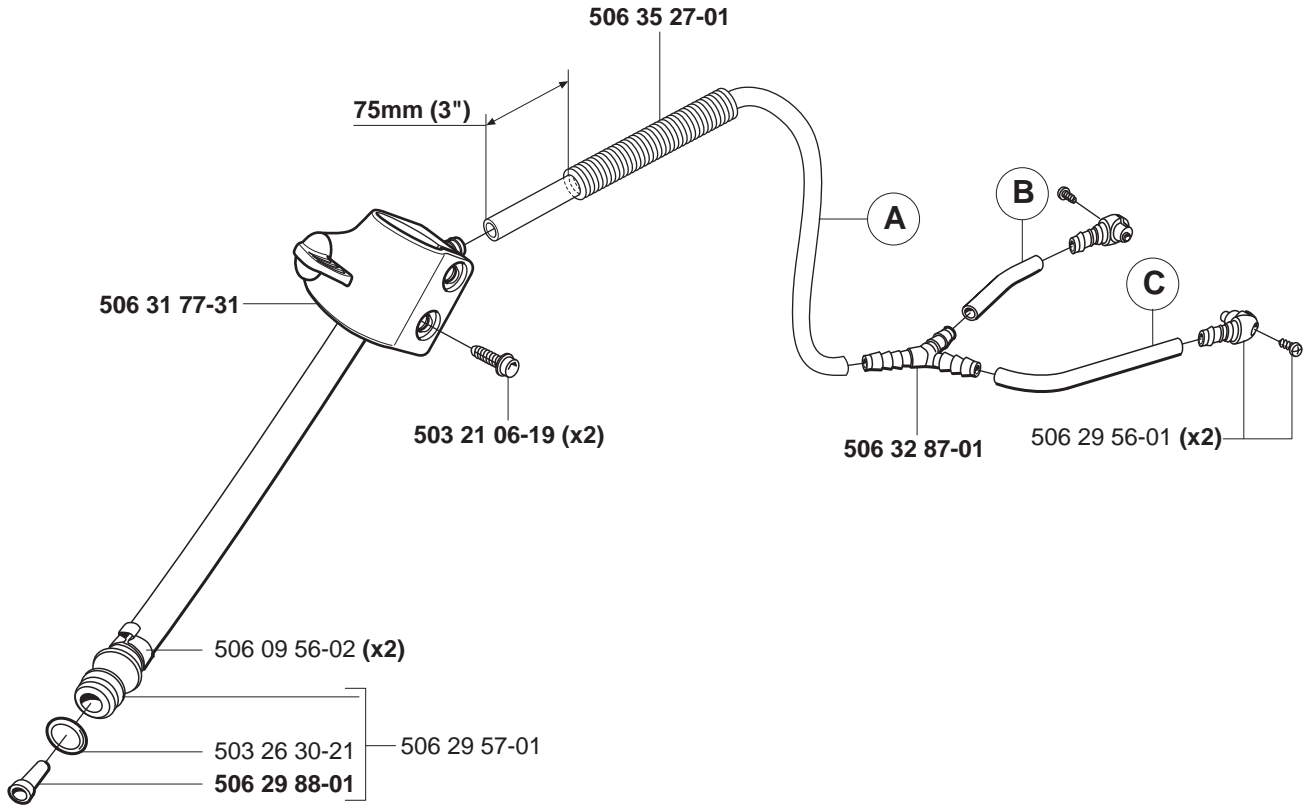
① 506 29 24-02

Gasket set
 Dichtungssatz
 Jeu de joints
 Juego de juntas
 Packningssats

501 69 17-02



Q Wet cutting kit
compl 506 32 89-13



Product		A (mm)	B (mm)	C (mm)
3120K	14"	280	45	280
3120K	16"	270	45	360

PART NUMBER	SQUARE NOTE	PART NUMBER	SQUARE NOTE	PART NUMBER	SQUARE NOTE	PART NUMBER	SQUARE NOTE
501 20 15-03	M	503 21 64-01	E	506 24 04-01	C	537 00 28-01	N
501 26 97-04	H	503 21 75-65	F	506 24 05-01	C	537 00 29-01	N
501 27 08-01	H	503 21 90-08	L	506 24 10-71	F	537 00 30-01	N
501 46 75-01	N	503 22 00-01	B,H	506 24 13-01	F	537 00 31-01	N
501 46 84-01	N	503 22 10-03	L	506 24 14-02	H	537 09 69-02	M
501 46 85-01	N	503 22 20-07	E	506 24 98-01	C	537 13 13-01	L
501 48 54-02	L	503 22 65-04	J	506 25 01-01	J	537 15 34-01	N
501 63 06-01	M	503 23 00-05	D	506 25 02-01	F	720 12 40-20	K
501 63 48-01	L	503 23 00-42	L	506 25 03-01	C	720 12 78-06	K
501 66 61-01	N	503 23 01-04	A	506 25 04-01	F	721 42 06-00	H
501 67 32-03	L	503 23 43-02	M	506 25 42-01	J	725 53 29-55	A
501 69 17-02	P	503 23 51-09	D	506 25 43-01	H	725 53 31-55	AH
501 69 28-01	N	503 25 00-02	G,H	506 25 46-01	F	725 53 39-55	H
501 76 83-04	K	503 25 21-01	A	506 25 49-02	B	725 53 68-55	E,K
501 81 47-01	K	503 25 38-01	B	506 25 49-03	B	725 53 70-55	H,J
501 81 57-01	H	503 26 02-05	H	506 26 35-13	A	729 53 40-01	E
501 81 96-02	K	503 26 30-17	K	506 26 41-01	K	735 11 73-50	L
501 81 99-01	L	503 26 30-21	Q	506 26 41-11	K	735 88 06-00	G
501 83 98-03	L	503 28 12-17	F,N	506 26 63-02	A	737 44 13-00	D
501 89 25-72	H	503 28 90-26	D	506 26 64-01	A		
501 89 41-03	D	503 52 58-01	N	506 26 65-01	A		
501 89 50-03	L	503 52 59-01	N	506 26 66-01	A		
501 89 59-02	M	503 52 60-01	N	506 26 84-01	B		
501 89 65-02	M	503 54 39-01	M	506 26 86-01	C		
501 89 66-01	M	503 56 34-01	N	506 26 97-01	H		
501 89 67-01	M	503 56 45-01	N	506 27 11-01	K		
502 10 31-01	N	503 57 42-01	N	506 27 17-02	B		
503 11 72-01	N	503 57 76-02	K	506 27 43-01	F	1	
503 11 73-01	N	503 57 89-01	K	506 27 49-01	E		
503 11 75-01	N	503 59 55-01	N	506 27 53-01	C		
503 13 00-02	E	503 59 56-01	N	506 27 87-01	E		
503 13 13-04	D	503 59 57-01	N	506 27 92-02	A		
503 13 16-02	K	503 59 58-01	N	506 28 38-01	B		
503 13 18-01	K	503 59 59-01	N	506 28 39-30	C		
503 13 20-01	H	503 59 65-01	N	506 28 41-11	A		
503 13 24-01	L	503 59 72-01	N	506 28 41-12	A		
503 13 25-01	K	503 59 74-02	N	506 28 41-14	A		
503 13 26-01	K	503 59 84-01	N	506 28 41-21	A		
503 13 27-01	K	503 63 24-01	N	506 28 41-22	A		
503 13 29-01	D,G	503 63 28-01	N	506 28 41-24	A		
503 13 36-02	K	503 63 29-01	N	506 28 44-01	A		
503 13 46-01	D	503 63 31-01	N	506 28 59-01	B		
503 13 50-01	M	503 63 32-01	N	506 28 71-11	C		
503 14 05-01	K	503 66 56-01	D	506 28 71-12	C		
503 14 08-01	K	503 90 17-01	L	506 28 71-13	C		
503 14 20-73	G	503 97 66-01	N	506 28 73-01	A		
503 14 21-06	K	504 35 72-01	K	506 28 84-01	A		
503 14 23-01	K	505 31 67-17	N	506 28 97-01	F		
503 14 37-01	F	505 31 67-23	N	506 28 98-01	K		
503 14 49-01	B	505 31 67-31	N	506 29 24-02	D,F,H,P	1 COMPL	
503 14 51-01	B	505 31 67-34	N	506 29 39-01	K		
503 14 54-02	H	505 31 67-37	N	506 29 42-71	D		
503 19 22-01	N	505 31 67-48	N	506 29 56-01	Q		
503 20 00-45	A	505 39 75-13	A	506 29 57-01	Q		
503 20 02-10	J	506 02 83-01	N	506 29 83-63	A		
503 20 02-12	A,H,K	506 02 87-01	A	506 29 88-01	Q		
503 20 02-20	F,H	506 03 88-01	A	506 31 38-01	F		
503 20 02-25	K	506 03 95-20	A	506 31 77-31	Q		
503 20 02-30	C,K	506 03 95-22	A	506 32 48-01	A		
503 20 02-65	H	506 03 95-25	A	506 32 87-01	Q		
503 20 03-12	J	506 07 08-01	A	506 32 89-13	Q		
503 20 25-20	L	506 07 09-01	A	506 34 05-04	A		
503 20 34-25	M	506 07 18-02	A	506 34 05-06	A		
503 20 34-30	C	506 09 56-02	Q	506 34 14-01	D		
503 21 05-25	J	506 13 95-11	A	506 34 46-02	A		
503 21 06-19	Q	506 13 96-01	A	506 34 74-21	A		
503 21 06-32	J	506 14 32-01	A	506 35 27-01	Q		
503 21 45-16	K	506 14 90-01	J	506 36 78-04	P		
503 21 49-16	M	506 23 34-01	K	506 36 78-06	P		
503 21 60-25	D	506 23 70-01	H	530 03 50-15	N		

1 = 506 29 24-02
2 = 503 59 74-02

Set of gaskets, Dichtungssatz,
Jeu de joints, Juego de juntas,
Packningssats

N = New part, Neues teil,
Nouvelle piece, Nueva pieza
Ny detalj

EPA = Environmental Protection Agency
(for USA only)