

**325HDA55**  
X-SERIES

**323HE3**

**325HE3**  
X-SERIES

**325HE4**  
X-SERIES

**Hedgetrimmer attachment HA110**

**Hedgetrimmer attachment HA850**

Spare parts

Ersatzteile

Pièces détachées

Reserve onderdelen

Repuestos

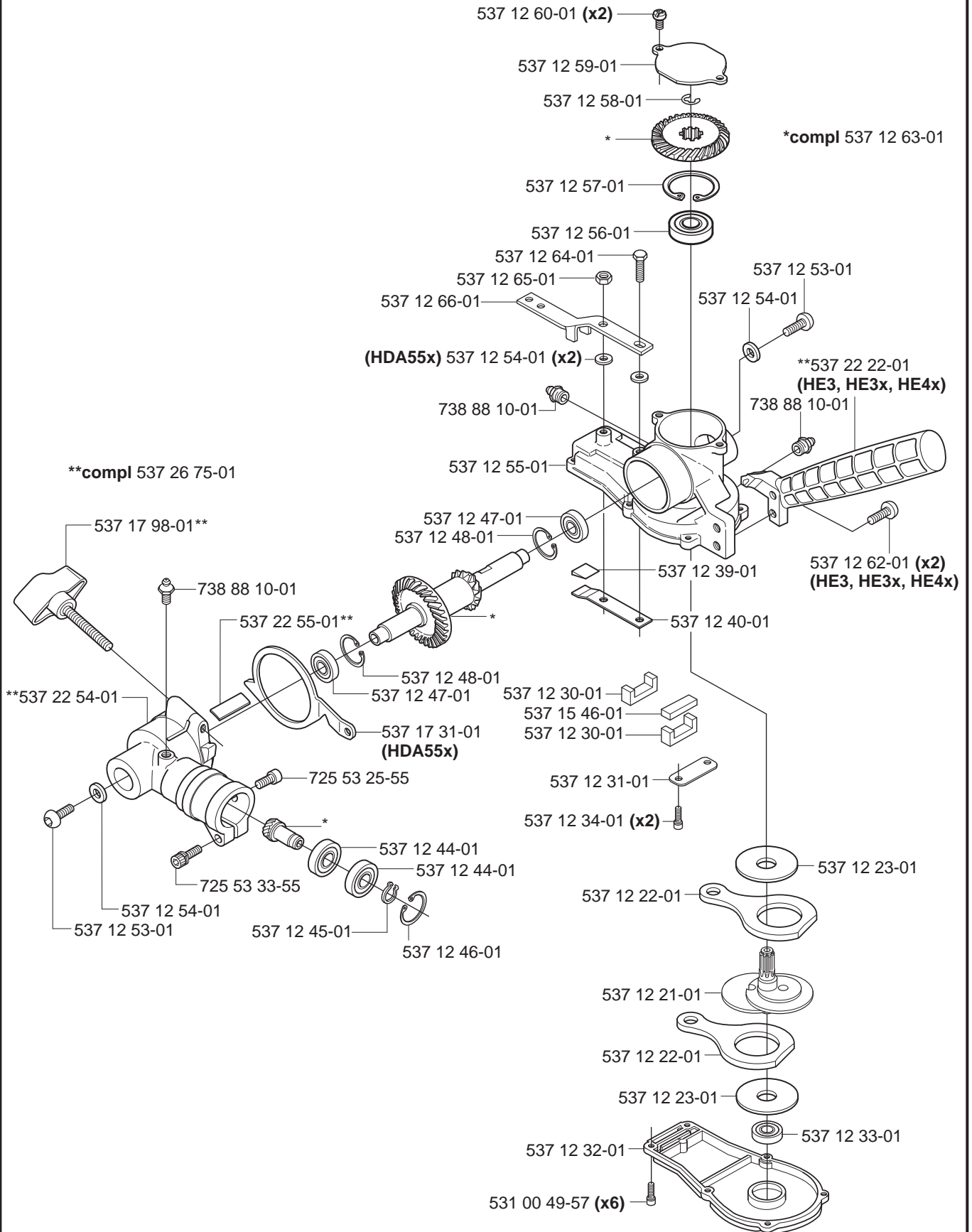
Reservdelar

PART NUMBER	SQUARE NOTE	PART NUMBER	SQUARE NOTE	PART NUMBER	SQUARE NOTE	PART NUMBER	SQUARE NOTE
501 36 02-05	C	503 89 03-01	F	537 08 39-01	BQ	537 35 33-35	E N
501 36 49-38	C	503 91 09-01	F	537 08 55-01	B	537 35 34-49	G N
501 69 17-01	N	503 91 10-01	H	537 08 86-01	BL	725 23 78-51	B
502 19 71-01	B	503 91 18-02	H	537 09 10-01	B	725 53 25-55	A
502 20 40-01	F	503 91 81-01	D	537 09 11-01	B	725 53 33-55	A
502 20 65-03	F	503 93 66-01	H	537 09 12-01	B	725 53 37-55	K N
502 21 58-01	N	503 94 02-01	M	537 09 52-01	BQ	731 23 14-01	BF
503 20 07-16	B	503 94 03-01	B	537 10 44-01	E	731 71 16-51	GJ
503 20 14-25	F	503 94 05-01	M	537 12 21-01	A	734 11 52-01	B
503 20 29-50	K	503 94 10-01	B	537 12 22-01	A	735 31 08-20	G
503 21 35-12	E	503 94 26-01	F	537 12 23-01	A	735 58 08-10	Q
503 21 66-18	G	503 96 13-01	D	537 12 25-01	C	735 58 55-01	Q
503 21 66-20	D	503 96 14-01	D	537 12 30-01	A	737 44 08-00	K
503 21 68-16	BQ	503 96 25-01	F	537 12 31-01	A	738 21 01-10	M
503 21 68-20	EGL	503 96 49-01	G	537 12 32-01	A	738 88 10-01	A
503 21 68-25	L	503 97 40-01	P	537 12 33-01	A	740 42 06-00	D
503 21 71-16	JL	503 97 43-01	P	537 12 34-01	A		
503 21 75-16	FG	503 97 98-30	G	537 12 36-01	C		
503 21 75-50	F	503 97 98-31	G	537 12 38-01	C		
503 21 77-16	G	503 97 98-38	G	537 12 39-01	A		
503 22 65-04	F	503 98 12-32	E	537 12 40-01	A		
503 23 00-42	G	503 98 12-33	E	537 12 41-01	C		
503 23 51-11	J	503 98 12-37	E	537 12 44-01	A		
503 28 31-13	F	503 98 54-01	Q	537 12 45-01	A		
503 28 31-13	P	503 98 96-01	N	537 12 46-01	A		
503 28 90-41	K	503 99 55-01	D N	537 12 47-01	A		
503 44 32-01	H	503 99 55-02	D	537 12 48-01	A		
503 47 89-01	P	503 99 56-01	D N	537 12 53-01	A		
503 47 90-01	P	503 99 56-02	D	537 12 54-01	A		
503 47 92-01	P	531 00 45-52	P	537 12 55-01	A		
503 47 96-01	P	531 00 45-53	P	537 12 56-01	A		
503 47 97-01	P	531 00 49-57	A	537 12 57-01	A		
503 48 00-01	P	531 00 75-12	N	537 12 58-01	A		
503 48 01-01	P	531 00 75-13	N	537 12 59-01	A		
503 48 05-01	P	531 00 92-05	N	537 12 60-01	A		
503 48 08-01	P	537 00 00-02	J	537 12 62-01	A		
503 48 11-01	P	537 00 84-01	G	537 12 63-01	A		
503 48 18-01	P	537 01 13-01	D	537 12 64-01	A		
503 48 19-01	P	537 01 19-01	Q	537 12 65-01	A		
503 49 71-01	F	537 01 25-01	P	537 12 66-01	A		
503 53 57-01	P	537 01 26-01	P	537 12 78-01	P		
503 57 76-01	H	537 01 32-75	K	537 13 75-01	J		
503 66 59-01	P	537 01 41-01	K	537 14 09-01	P		
503 71 22-01	KM	537 01 96-01	P	537 14 34-01	P		
503 71 82-01	D	537 01 97-01	P	537 14 86-11	Q		
503 73 58-01	H	537 01 98-01	P	537 14 86-12	Q		
503 74 16-01	N	537 01 99-01	P	537 15 46-01	A		
503 74 16-02	N	537 02 00-01	P	537 17 31-01	A		
503 75 53-01	P	537 02 01-01	P	537 17 45-01	G		
503 78 52-01	Q	537 02 02-01	P	537 17 98-01	A		
503 83 61-01	M	537 02 03-01	P	537 18 44-01	C		
503 85 24-74	M	537 02 04-01	P	537 18 45-01	C		
503 85 28-01	G	537 02 06-01	P	537 18 46-01	C		
503 85 87-01	G	537 02 07-01	P	537 18 47-01	C		
503 85 89-01	G	537 02 08-01	P	537 18 49-01	H		
503 86 45-01	B	537 02 09-01	P	537 18 63-01	F		
503 87 17-01	K	537 02 10-01	P	537 19 58-01	Q		
503 87 18-01	E	537 02 11-01	P	537 19 59-01	Q		
503 87 19-01	B N	537 03 20-05	K	537 19 66-01	Q		
503 87 19-03	B	537 04 01-01	J	537 19 66-02	Q		
503 87 21-01	E	537 04 11-02	L N	537 19 85-01	Q		
503 87 33-02	G	537 04 12-03	L	537 22 22-01	A		
503 87 35-02	G	537 04 24-01	H	537 22 54-01	A		
503 87 36-01	G	537 04 58-01	J	537 22 55-01	A		
503 87 79-01	D	537 04 89-01	P	537 23 96-01	J		
503 87 80-01	D	537 05 25-01	D	537 24 25-01	J		
503 87 85-01	D	537 06 86-02	H	537 24 96-02	J		
503 88 79-01	F	537 07 36-01	L	537 26 75-01	A		
503 88 80-01	F	537 07 99-01	Q	537 30 14-09	N		
503 88 88-01	B	537 08 27-01	BQ	537 30 96-01	L		

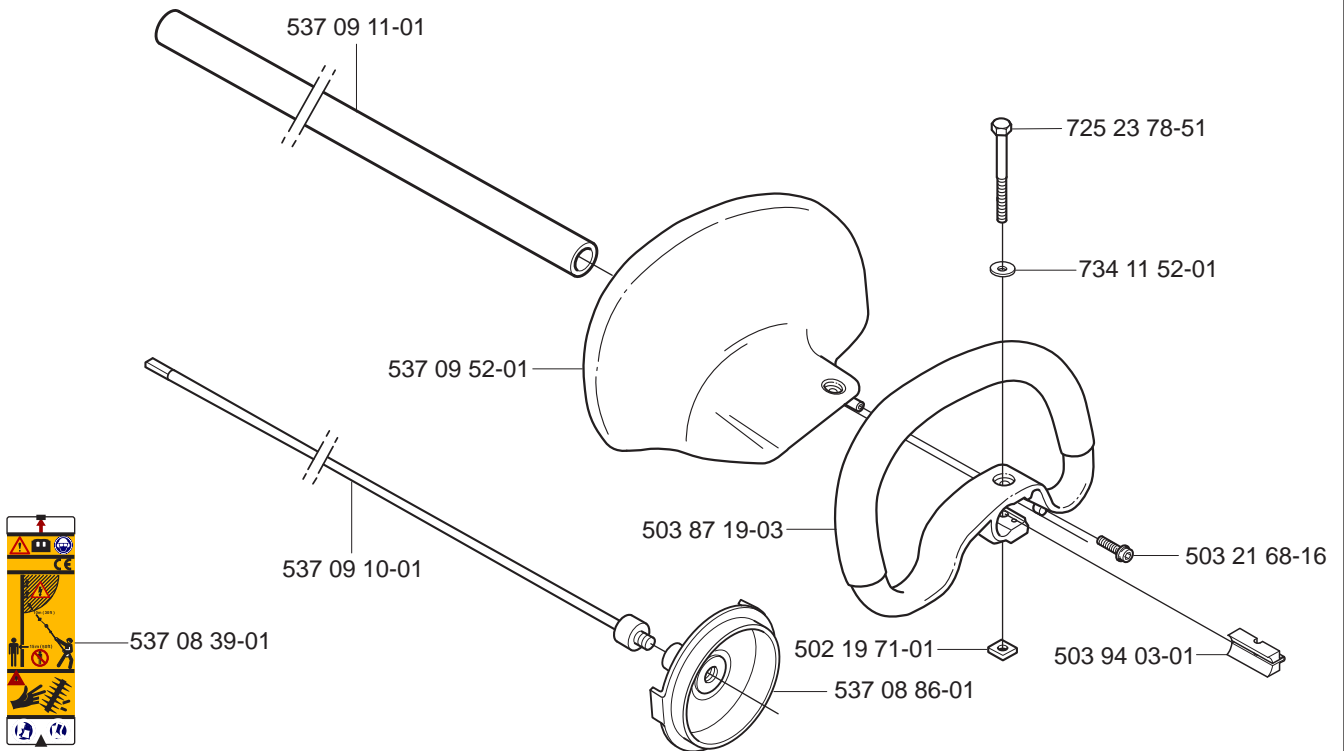
Set of gaskets, Dichtungssatz,  
Jeu de joints, Juego de juntas,  
Packningssats

N = New part, Neues teil,  
Nouvelle piece, Nueva pieza  
Ny detalj

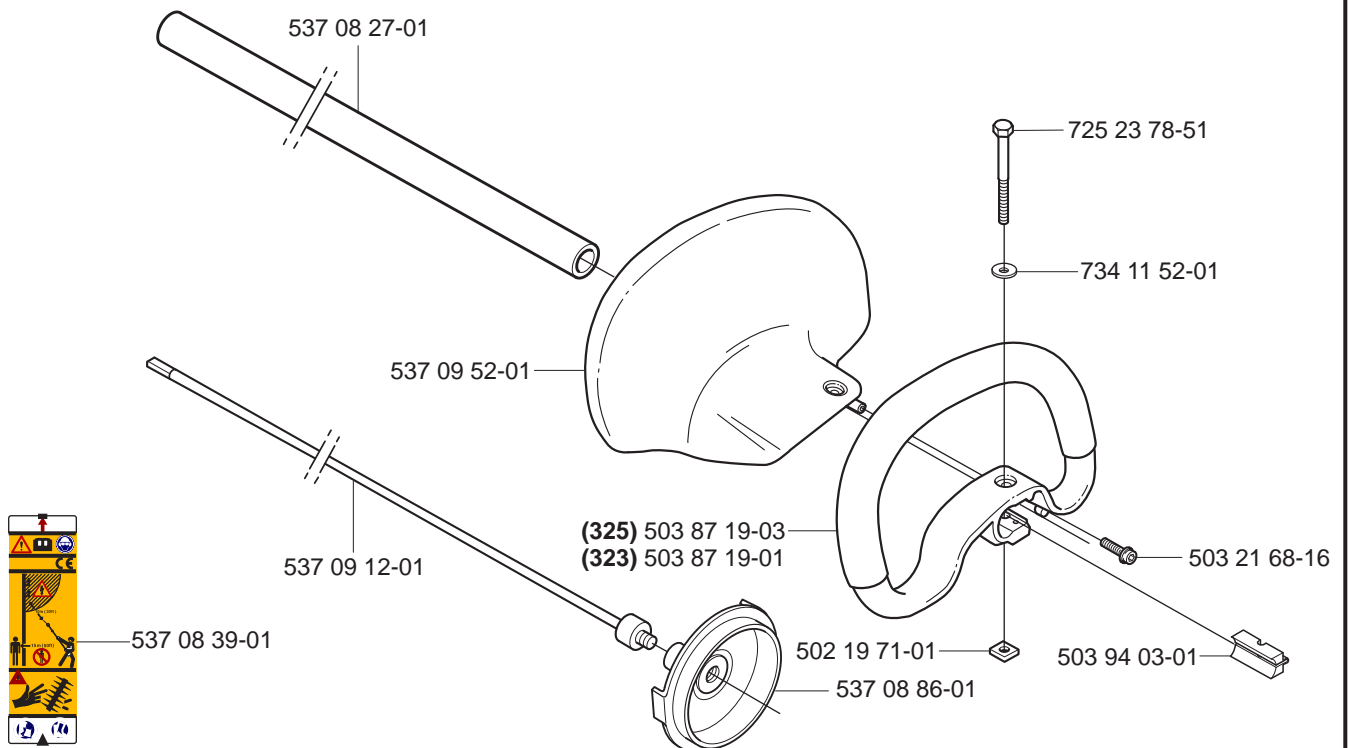
**A**



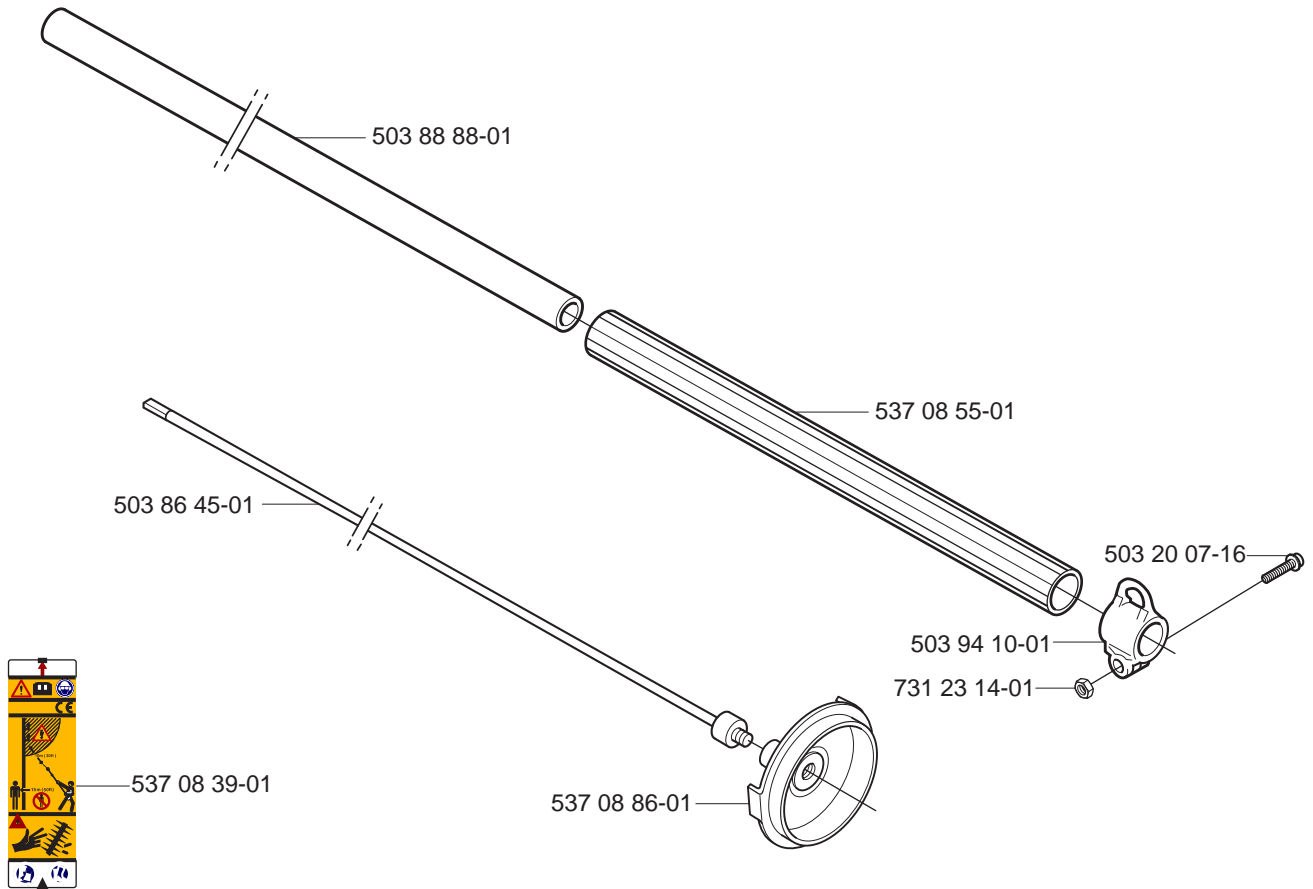
**B** HDA55x



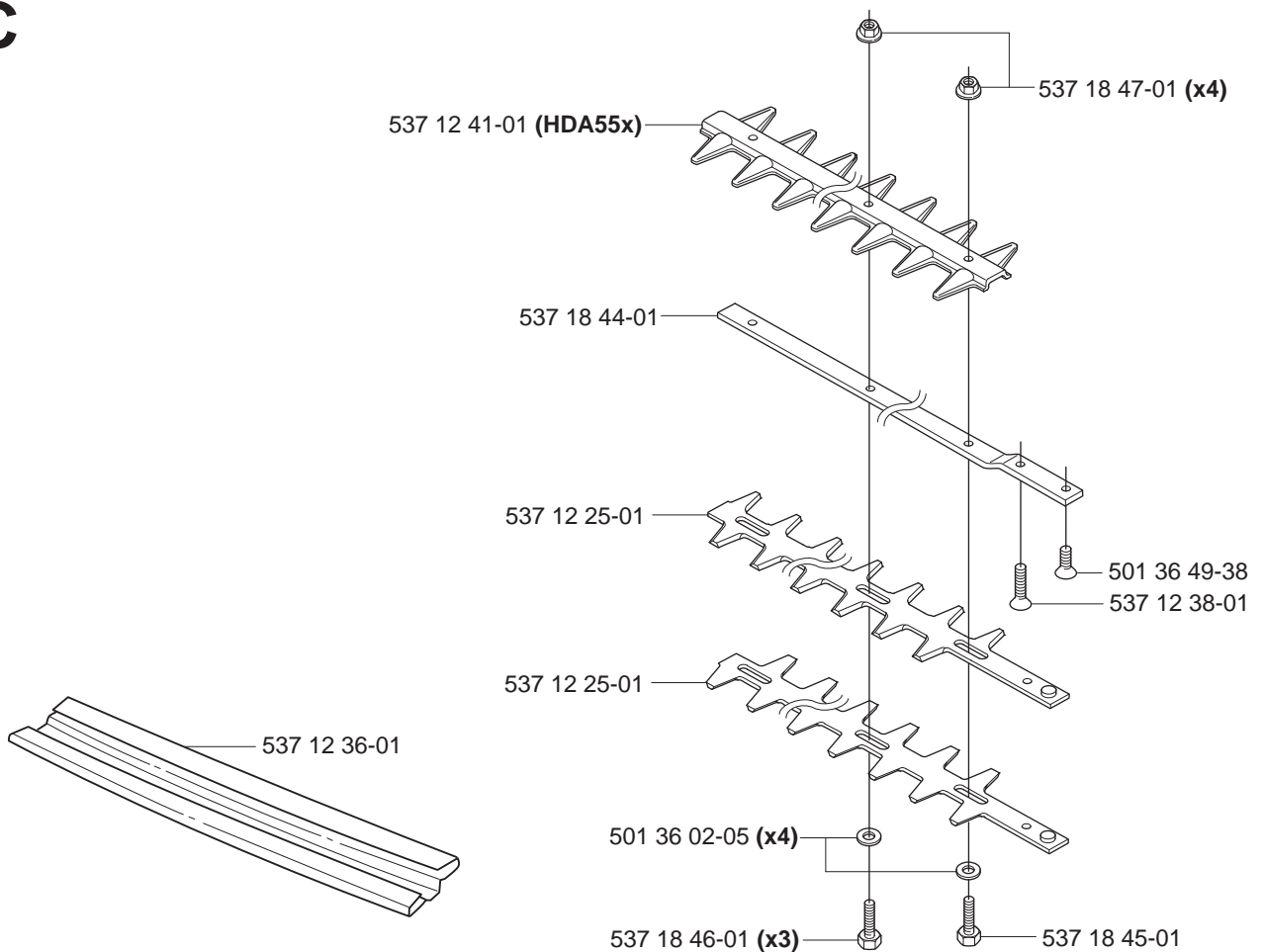
**B** HE3, HE3x



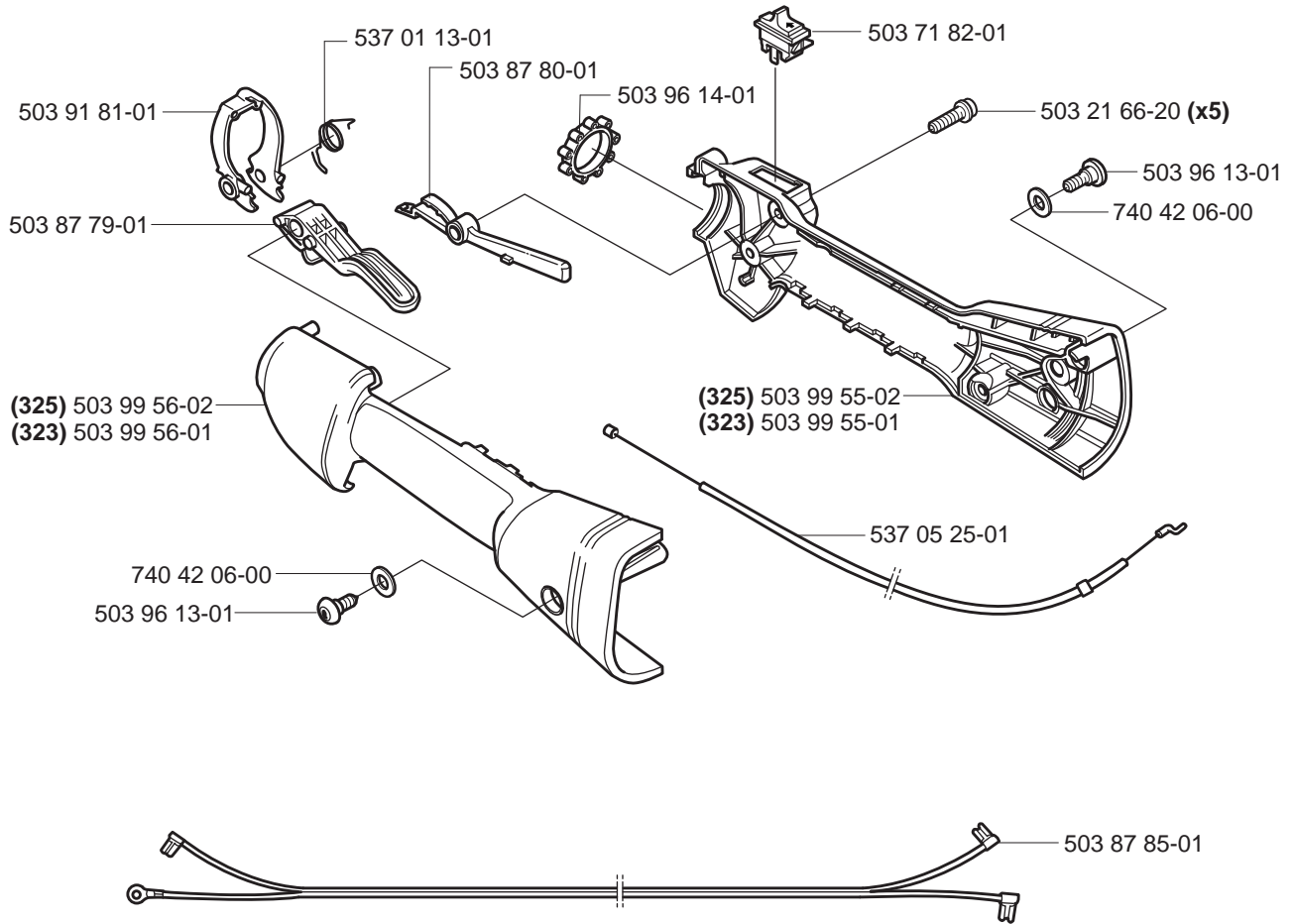
# B HE4x



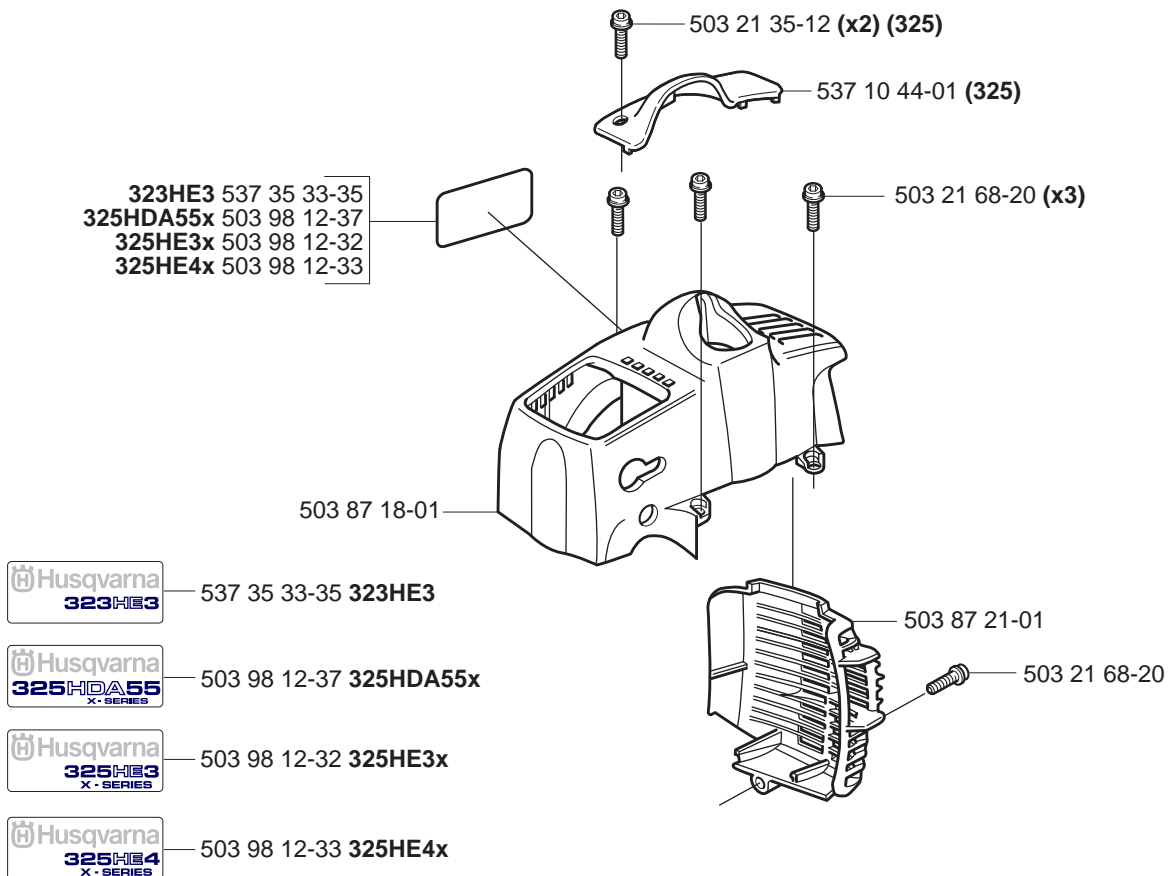
# C



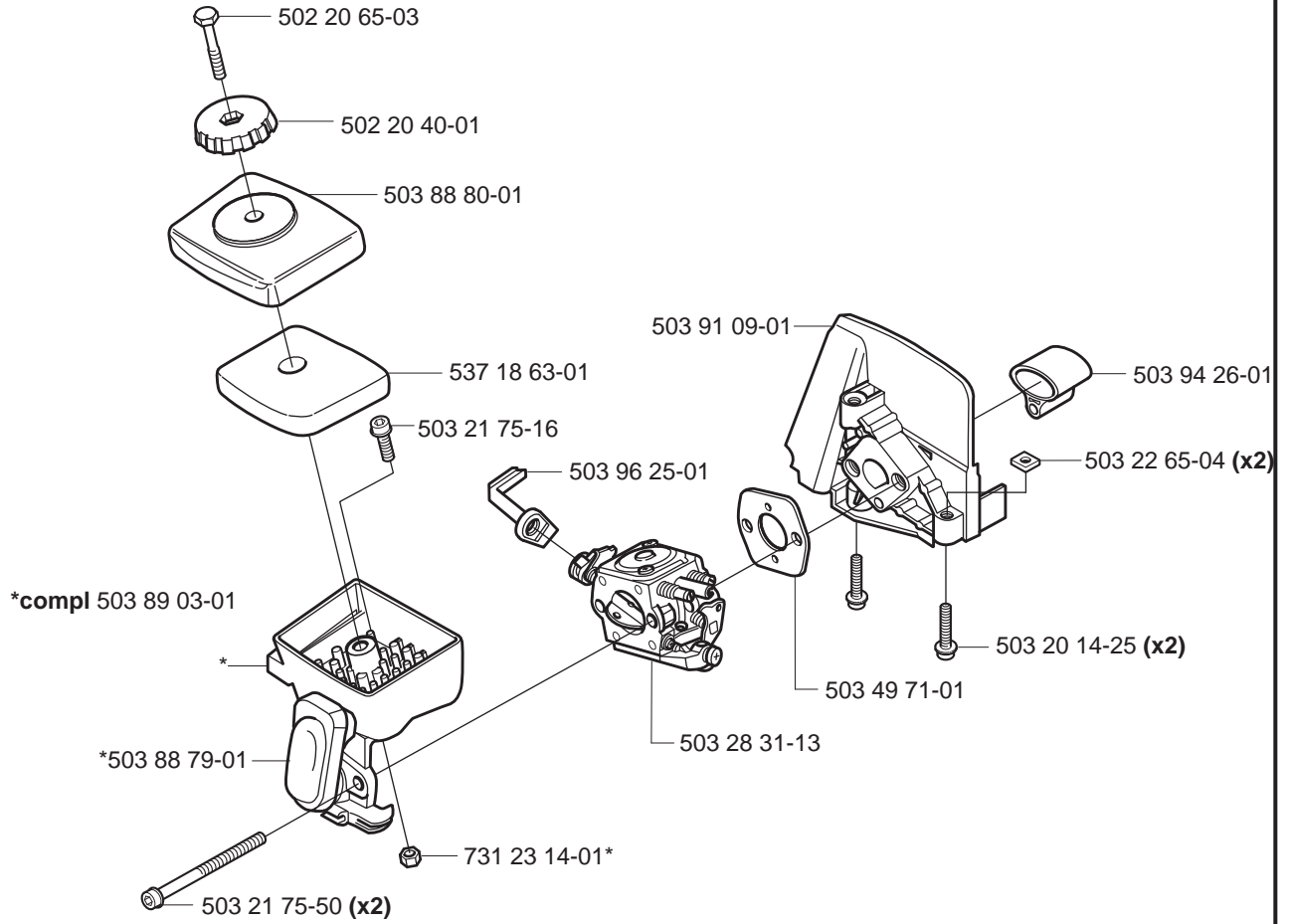
# D



# E



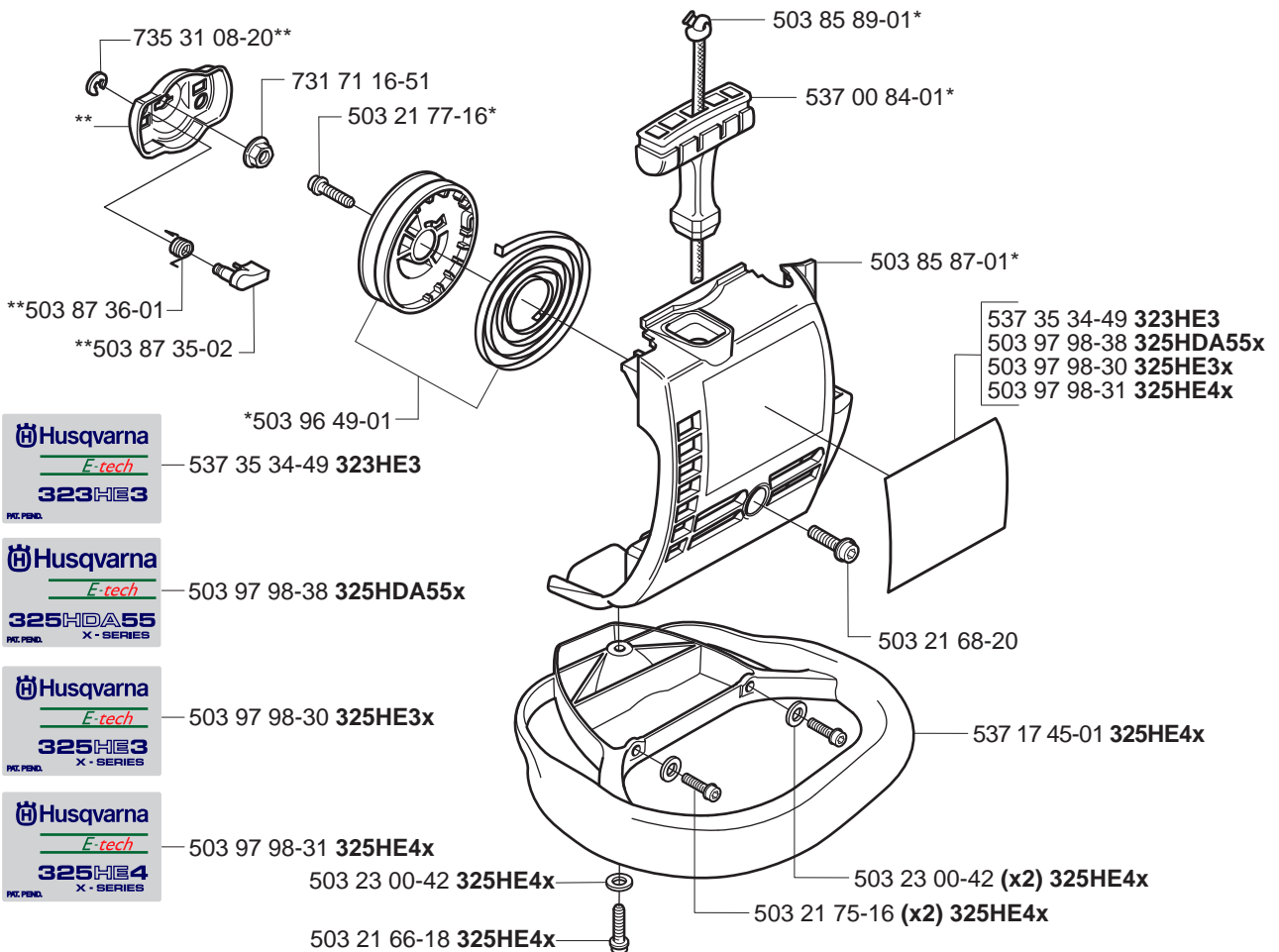
# F



# G

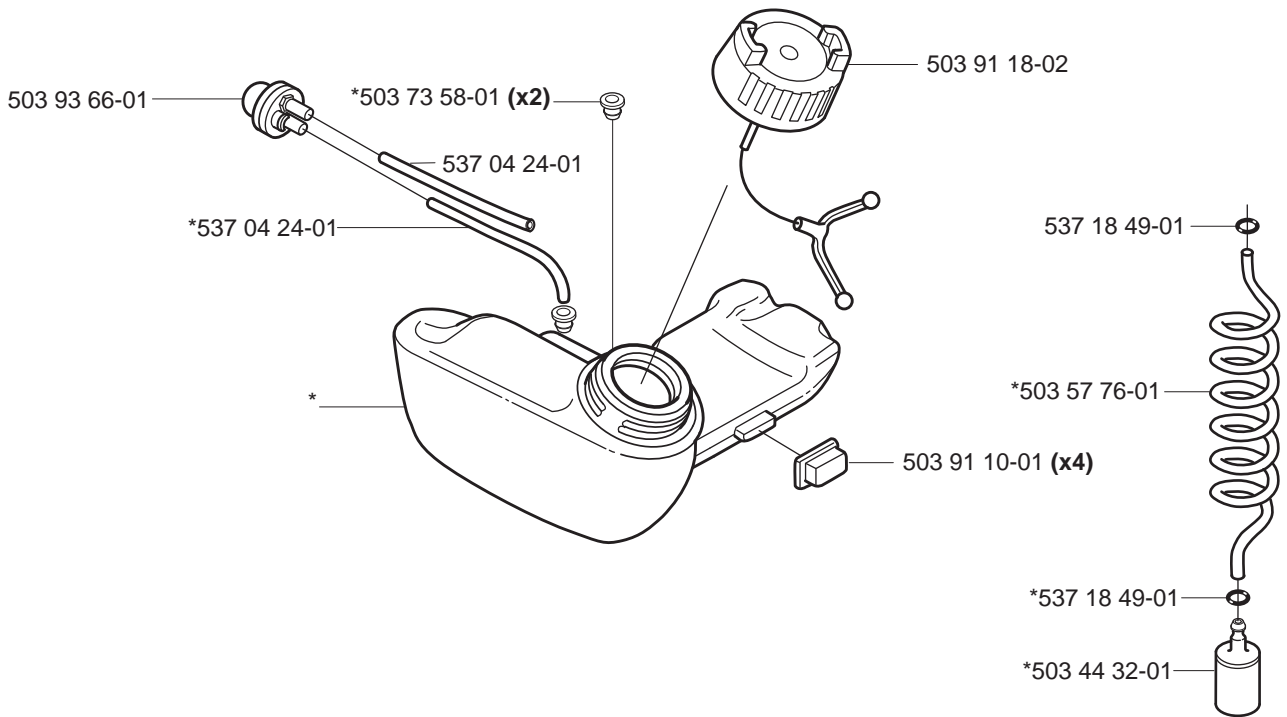
\*\*compl 503 87 33-02

\*compl 503 85 28-01

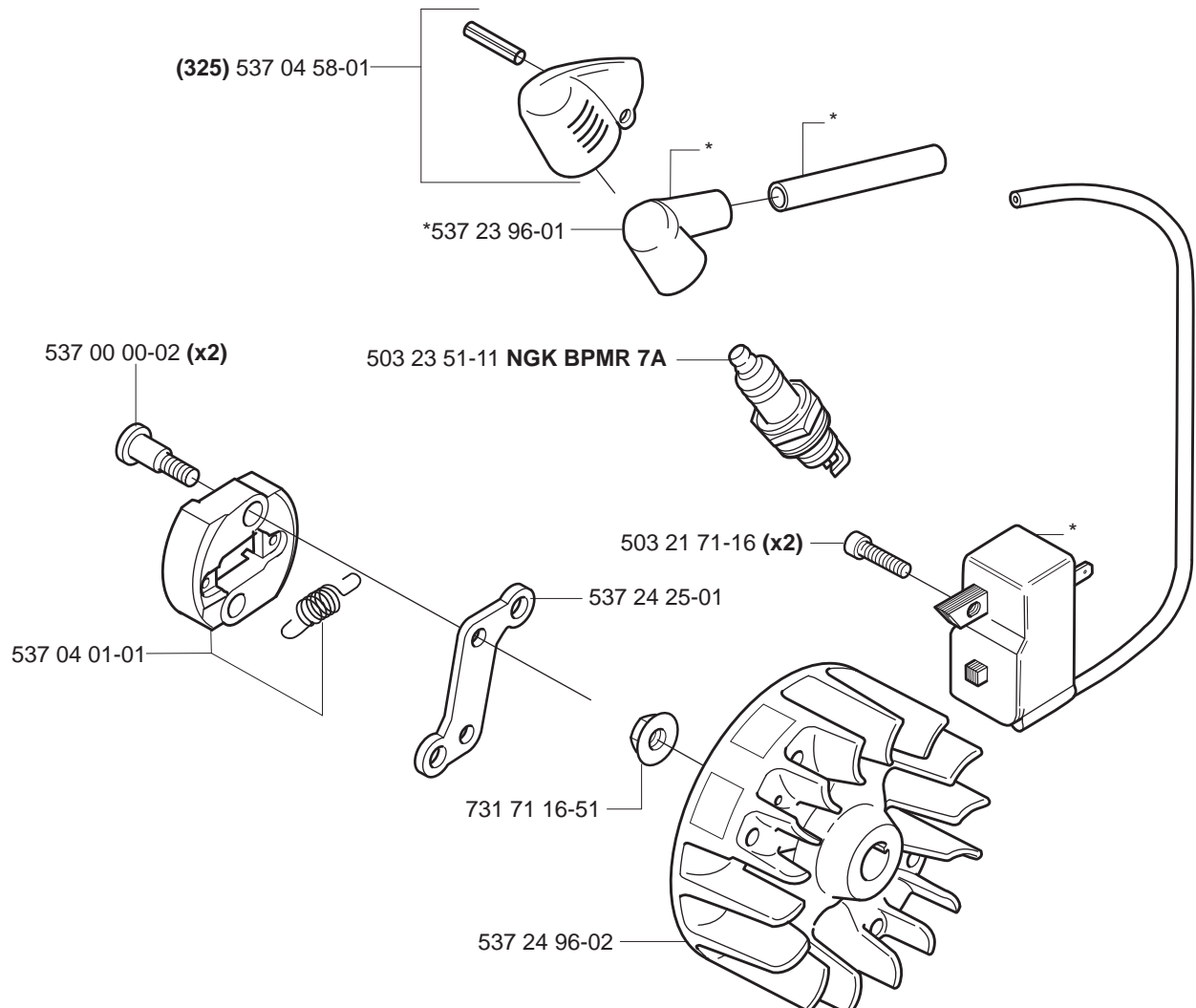


**H**

\*compl 537 06 86-02

**J**

\* compl 537 13 75-01

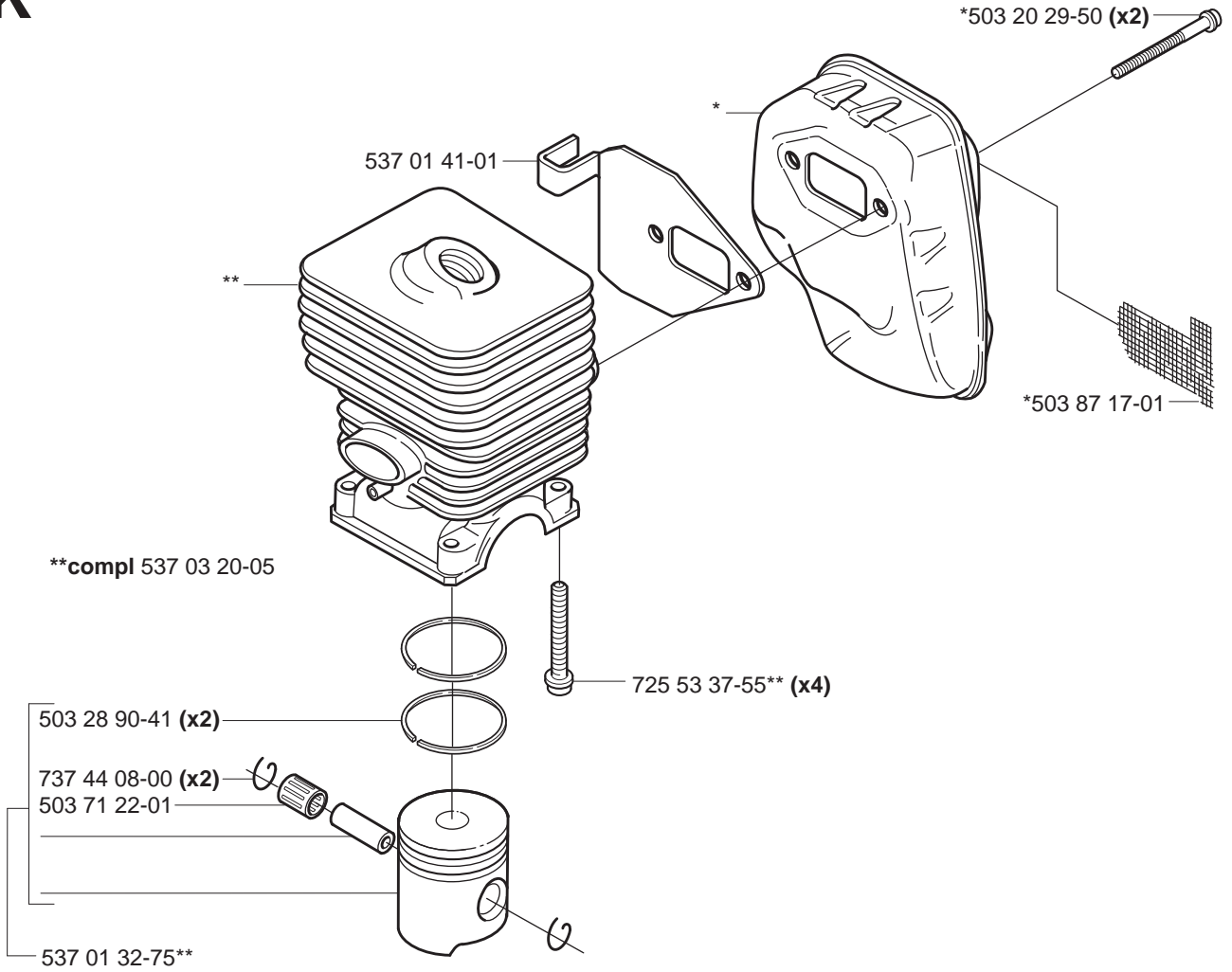




# K

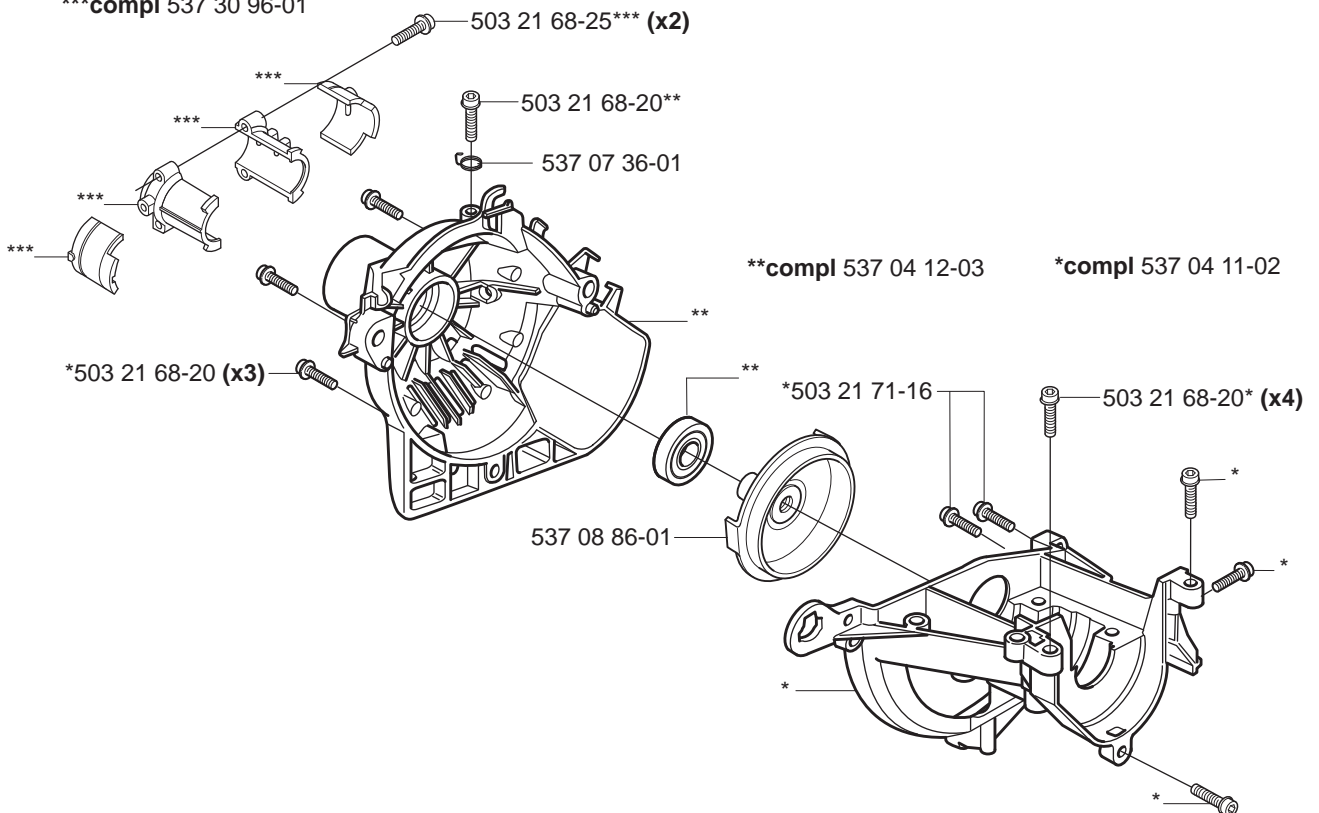
\*compl 537 03 94-01

\*503 20 29-50 (x2)



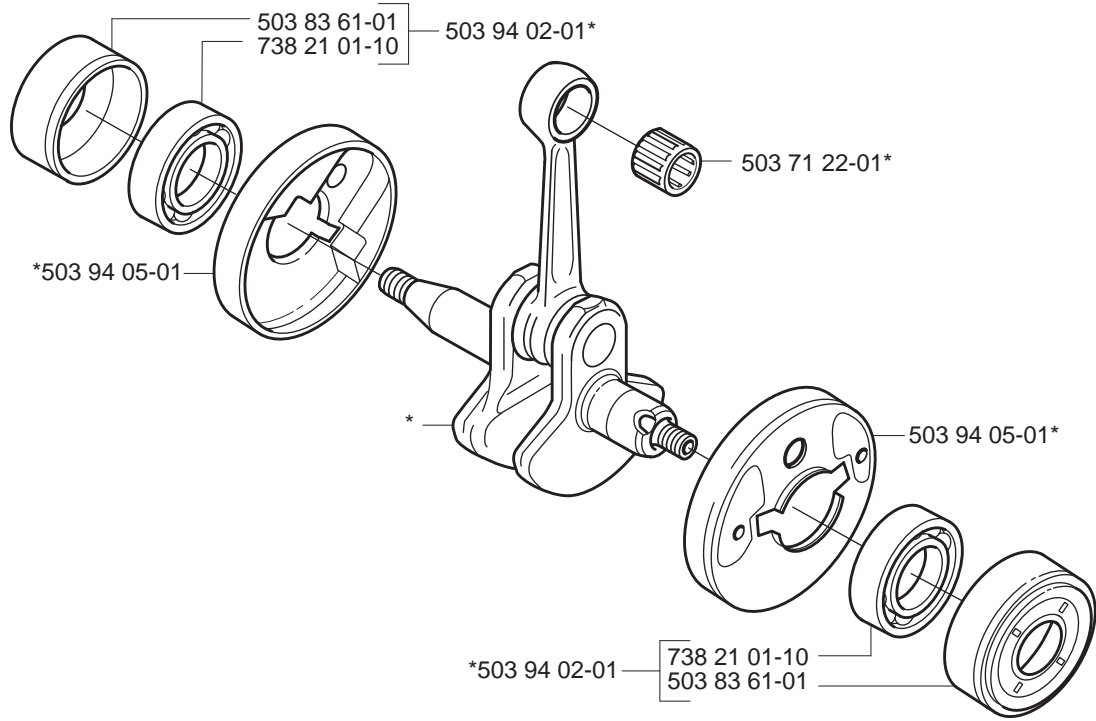
# L

\*\*\*compl 537 30 96-01



# M

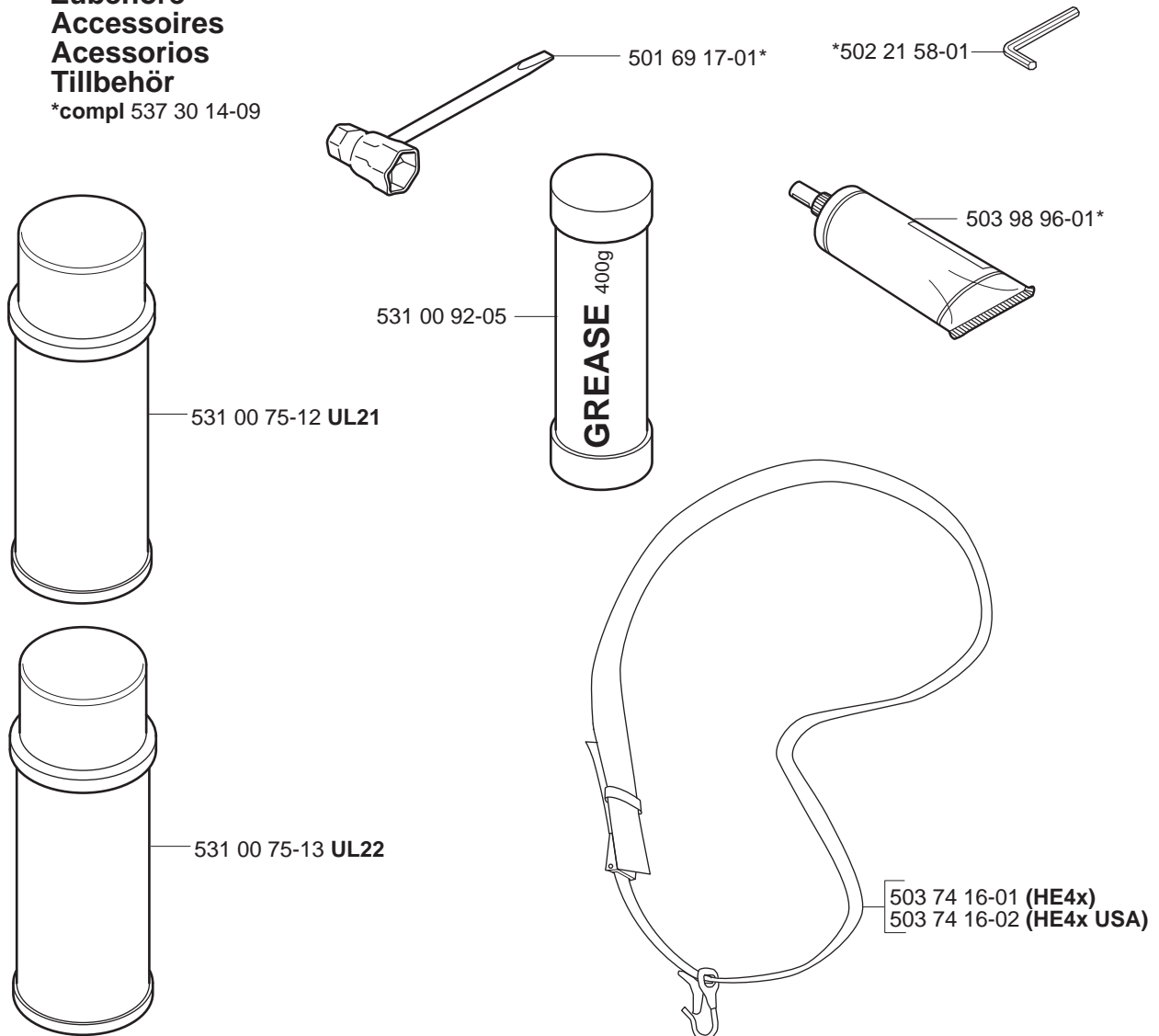
\*compl 503 85 24-74

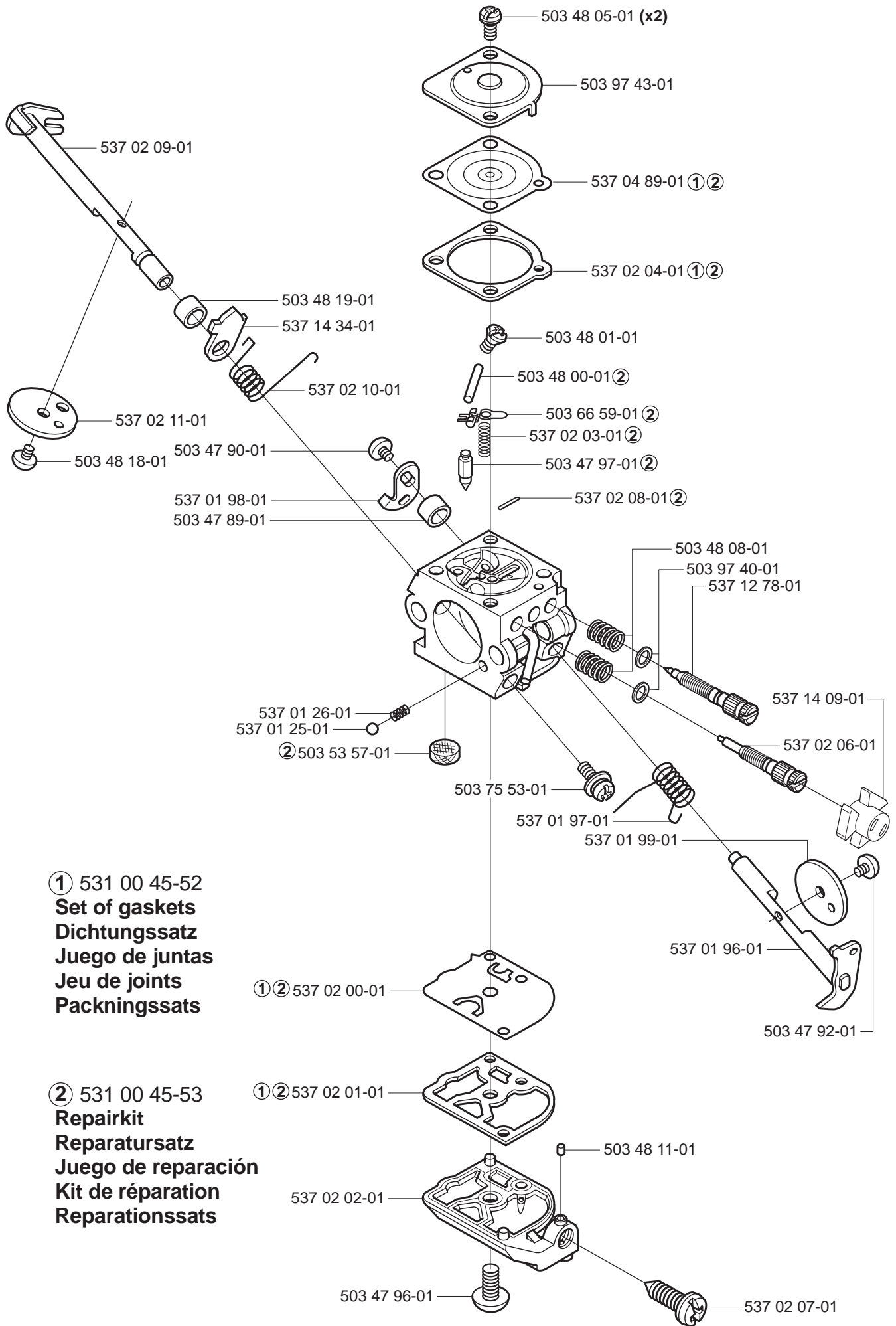


# N

**Accessories**  
**Zubehöre**  
**Accessoires**  
**Accesorios**  
**Tillbehör**

\*compl 537 30 14-09



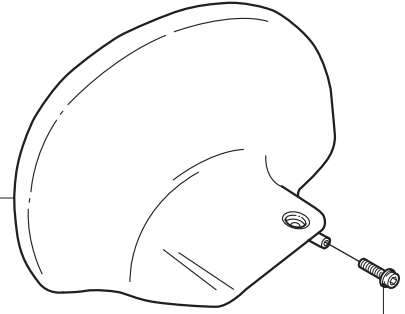


**Q Hedgetrimmer Attachment HA110**  
**compl 537 19 66-01**

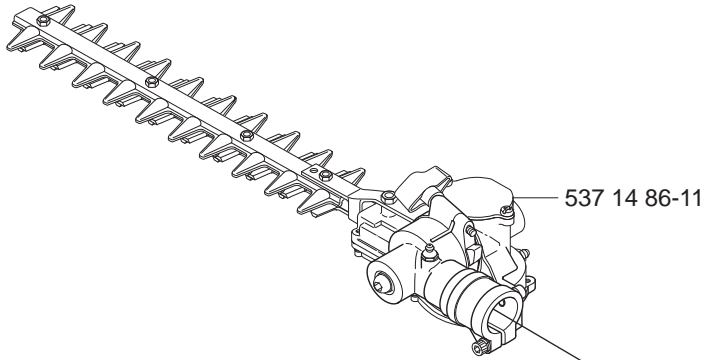
537 19 85-01



537 09 52-01



503 21 68-16



537 14 86-11

\*735 58 55-01

**\* (110mm)**

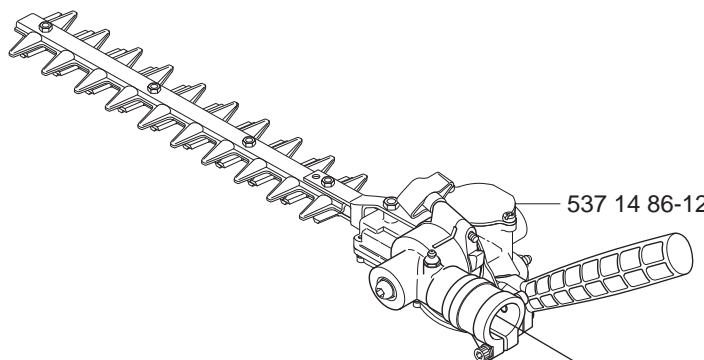
**\*compl 537 19 58-01**

\*503 98 54-01

\*503 78 52-01

\*537 19 59-01

**Q Hedgetrimmer Attachment HA850**  
**compl 537 19 66-02**



537 14 86-12

\*735 58 08-10

**\*537 08 27-01 (829mm)**

**\*compl 537 07 99-01**

\*503 98 54-01

\*503 78 52-01

\*537 01 19-01



537 08 39-01

# RECOMMENDED PARTS, ACCESSORIES, LUBRICANTS

## 323 & 325 HEDGETRIMMER

	<u>Item</u>	<u>Part Number</u>	<u>Description</u>
<b>Normal Maintenance Parts</b>	Air Filter	537 18 63-01	
	Air Filter Cover	503 88 80-01	
	Fuel Filter	503 44 32-01	
	Air Purge Bubble	503 93 66-01	
	Start/Stop Switch	503 71 82-01	
	Ignition Module	537 13 75-01	
	Spark Plug	503 23 51-11	
	Starter Assy.	503 85 28-01	
	Starter Handle	537 00 84-01	
	Starter Cord	503 85 89-01	
	Starter Pulley	503 96 49-01	
	Fuel Cap	503 91 18-02	
	Cylinder Cover	503 87 18-01	
	Heat Protector, Cylinder	537 10 44-01	
Muffler Cover	503 87 21-01		
Harness Holder	503 74 16-02		
	<u>Item</u>	<u>Part Number</u>	<u>Description</u>
<b>Lubricants</b>	2 Cycle Low Smoke Oil	610 00 00-85	2 Cycle Low Smoke Oil - 2.6 oz (1 Gallon Mix)
		610 00 00-82	2 Cycle Low Smoke Oil - 6.4 oz (2.5 Gallon Mix)
	<u>Item</u>	<u>Part Number</u>	<u>Description</u>
<b>Protective Apparel</b>	Protective Glasses	531 30 00-11	Xtreme Protective Glasses
	Protective Gloves	531 30 02-70	Master Grip Gloves, Medium
		531 30 02-71	Master Grip Gloves, Large
		531 30 02-72	Master Grip Gloves, X-Large
	Hearing Protectors	505 66 53-04	Husqvarna Headband Hearing Protectors
505 66 53-78		Husqvarna Landscaper Radio Hearing Protectors - Digital FM	

## 325 HDA 55X, 323 HE 3, 325 HE 3X, 325 HE 4X

Part Number	Description	Square	Part Number	Description	Square
501 36 02-05	WASHER	C	503 87 17-01	SCREEN	K
501 36 49-38	SCREW	C	503 87 18-01	CYLINDER COVER	E
501 69 17-01	COMBI TOOL	N	503 87 19-01	HANDLE, LOOP	B N
502 19 71-01	NUT (LOOP HANDLE)	B	503 87 19-03	HANDLE, LOOP	B
502 20 40-01	KNOB	F	503 87 21-01	PROTECTOR	E
502 20 65-03	SCREW	F	503 87 33-02	PAWL ASSY COMPLETE	G
502 21 58-01	L-KEY WRENCH	N	503 87 35-02	STARTER PAWL	G
503 20 07-16	SCREW	B	503 87 36-01	SPRING	G
503 20 14-25	SCREW	F	503 87 79-01	THROTTLE TRIGGER	D
503 20 29-50	SCREW	K	503 87 80-01	THROTTLE LOCK	D
503 21 35-12	SCREW	E	503 87 85-01	WIRE	D
503 21 66-18	SCREW	G	503 88 79-01	COVER	F
503 21 66-20	SCREW	D	503 88 80-01	AIR FILTER COVER	F
503 21 68-16	SCREW	BQ	503 88 88-01	DRIVE TUBE ASSEMBLY	B
503 21 68-20	SCREW	EGL	503 89 03-01	FILTER HOLDER	F
503 21 68-25	SCREW	L	503 91 09-01	PARTITION	F
503 21 71-16	SCREW	JL	503 91 10-01	SUPPORT	H
503 21 75-16	SCREW	FG	503 91 18-02	FUEL CAP	H
503 21 75-50	SCREW	F	503 91 81-01	LEVER	D
503 21 77-16	SCREW	G	503 93 66-01	AIR PURGE BUBBLE	H
503 22 65-04	NUT	F	503 94 02-01	BEARING W/ HOLDER	M
503 23 00-42	WASHER	G	503 94 03-01	SPACER PLASTIC	B
503 23 51-11	BPMP7A NGK SPARK PLUG	J	503 94 05-01	CUP	M
503 28 31-13	CARBURETOR	F	503 94 10-01	HARNES HOLDER	B
503 28 31-13	CARBURETOR	P	503 94 26-01	PIPE	F
503 28 90-41	PISTON RING	K	503 96 13-01	SCREW MT5X11	D
503 44 32-01	FUEL FILTER	H	503 96 14-01	VIBRATION DAMPER	D
503 47 89-01	SPACER	P	503 96 25-01	CHOKE CONTROL	F
503 47 90-01	SCREW	P	503 96 49-01	STARTER PULLEY ASSY.	G
503 47 92-01	SCREW	P	503 97 40-01	WASHER	P
503 47 96-01	SCREW	P	503 97 43-01	COVER	P
503 47 97-01	INLET NEEDLE	P	503 97 98-30	DECAL	G
503 48 00-01	PIN FULCRUM	P	503 97 98-31	DECAL	G
503 48 01-01	SCREW	P	503 97 98-38	DECAL	G
503 48 05-01	SCREW	P	503 98 12-32	DECAL	E
503 48 08-01	SPRING	P	503 98 12-33	DECAL	E
503 48 11-01	PLUG	P	503 98 12-37	DECAL	E
503 48 18-01	SCREW	P	503 98 54-01	HOLDER	Q
503 48 19-01	BUSHING	P	503 98 96-01	GEAR GREASE -1 TUBE	N
503 49 71-01	GASKET	F	503 99 55-01	HANDLE	D N
503 53 57-01	STRAINER	P	503 99 55-02	HANDLE	D
503 57 76-01	FUEL HOSE	H	503 99 56-01	HANDLE	D N
503 66 59-01	LEVER	P	503 99 56-02	HANDLE	D
503 71 22-01	BEARING	KM	531 00 45-52	GASKET KIT (ZAMA	P
503 71 82-01	START/STOP SWITCH	D	531 00 45-53	CARBURETOR KIT (ZAMA	P
503 73 58-01	FUEL TANK BUSHING	H	531 00 49-57	SCREW	A
503 74 16-01	STRAP	N	531 00 75-12	CUTTER BAR LUBE/12	N
503 74 16-02	SHOULDER STRAP	N	531 00 75-13	UL 22 - 12 PACK	N
503 75 53-01	SCREW	P	531 00 92-05	GREASE 400 GRAMS	N
503 78 52-01	BUSHING	Q	537 00 00-02	SCREW	J
503 83 61-01	HOLDER	M	537 00 84-01	STARTER HANDLE	G
503 85 24-74	CRANKSHAF	M	537 01 13-01	SPRING	D
503 85 28-01	STARTER ASSY	G	537 01 19-01	SHAFT LOWER	Q
503 85 87-01	STARTER HOUSING	G	537 01 25-01	BALL	P
503 85 89-01	STARTER ROPE	G	537 01 26-01	SPRING	P
503 86 45-01	DRIVE SHAFT	B	537 01 32-75	PISTON	K

IPL, 325 HDA 55X-SERIES, 323 HE 3, 325 HE 3X-SERIES, 325 HE 4X-SERIES, HA 110, HA 850, 2005-02, 544 05 84-01

## 325 HDA 55X, 323 HE 3, 325 HE 3X, 325 HE 4X

Part Number	Description	Square	Part Number	Description	Square
537 01 41-01	GASKET	K	537 12 54-01	WASHER	A
537 01 96-01	SHAFT	P	537 12 55-01	GEAR HOUSING	A
537 01 97-01	SPRING THROTTLE	P	537 12 56-01	BEARING	A
537 01 98-01	ARM	P	537 12 57-01	RETAINING RING	A
537 01 99-01	THROTTLE FLAP	P	537 12 58-01	RETAINING RING	A
537 02 00-01	PUMP DIAPHRAGM	P	537 12 59-01	COVER	A
537 02 01-01	GASKET	P	537 12 60-01	SCREW	A
537 02 02-01	COVER	P	537 12 62-01	SCREW	A
537 02 03-01	SPRING	P	537 12 63-01	GEAR	A
537 02 04-01	GASKET	P	537 12 64-01	SCREW	A
537 02 06-01	NEEDLE HIGH SPEED	P	537 12 65-01	NUT	A
537 02 07-01	SCREW	P	537 12 66-01	PLATE	A
537 02 08-01	PIN	P	537 12 78-01	LOW SPED NEEDLE	A
537 02 09-01	CHOKE SHAFT	P	537 13 75-01	IGNITION MODULE	J
537 02 10-01	SPRING	P	537 14 09-01	CAP	P
537 02 11-01	DISC	P	537 14 34-01	LEVER	P
537 03 20-05	CYLINDER	K	537 14 86-11	HEDGE TRIMMER HEAD	Q
537 04 01-01	CLUTCH	J	537 14 86-12	HEDGE TRIMMER HEAD	Q
537 04 11-02	CRANKCASE	L N	537 15 46-01	FELT PAD	A
537 04 12-03	CLUTCH COVER 300 SERIES TRIM	L	537 17 31-01	SHIM	A
537 04 24-01	HOSE	H	537 17 45-01	PROTECTOR	G
537 04 58-01	COVER	J	537 17 98-01	KNOB	A
537 04 89-01	DIAPHRAGM	P	537 18 44-01	SUPPORT BAR M6	C
537 05 25-01	THROTTLE CABLE	D	537 18 45-01	SCREW M6	C
537 06 86-02	TANK UNIT	H	537 18 46-01	SCREW M6	C
537 07 36-01	HOLDER	L	537 18 47-01	NUT M6	C
537 07 99-01	TUBE ASSY COMPLETE	Q	537 18 49-01	O-RING	H
537 08 27-01	TUBE	BQ	537 18 63-01	AIR FILTER (READY-	F
537 08 39-01	DECAL	BQ	537 19 58-01	TUBE	Q
537 08 55-01	GRIP	B	537 19 59-01	SHAFT	Q
537 08 86-01	CLUTCH DRUM	BL	537 19 66-01	DX HEDGETRIMMER	Q
537 09 10-01	SHAFT	B	537 19 66-02	HA850 COMPLETE	Q
537 09 11-01	TUBE	B	537 19 85-01	DECAL	Q
537 09 12-01	SHAFT	B	537 22 22-01	HANDLE	A
537 09 52-01	PROTECTOR	BQ	537 22 54-01	GEAR HOUSING	A
537 10 44-01	PROTECTOR	E	537 22 55-01	SEAL	A
537 12 21-01	EXCENTRIC	A	537 23 96-01	SPARK PLUG	J
537 12 22-01	CONNECTING ROD	A	537 24 25-01	CLUTCH YOKE	J
537 12 23-01	WASHER	A	537 24 96-02	FLYWHEEL	J
537 12 25-01	BLADE (EACH)	C	537 26 75-01	GEARBOX COMPLETE	A
537 12 30-01	SEALING	A	537 30 14-09	ACCESSORIES KIT	N
537 12 31-01	PLATE	A	537 30 96-01	COMPRESION	L
537 12 32-01	COVER	A	725 23 78-51	SCREW	B
537 12 33-01	BEARING	A	725 53 25-55	SCREW MC6S 5X10	A
537 12 34-01	SCREW	A	725 53 33-55	SCREW MC6S 5X25	A
537 12 36-01	PROTECTOR	C	725 53 37-55	SCREW MC6S 5X35	K N
537 12 38-01	SCREW	C	731 23 14-01	NUT	BF
537 12 39-01	SEALING	A	731 71 16-51	FLANGE NUT	GJ
537 12 40-01	PLATE	A	734 11 52-01	WASHER - M6	B
537 12 41-01	PROTECTOR	C	735 31 08-20	E-RING 4	G
537 12 44-01	BEARING	A	735 58 08-10	WASHER	Q
537 12 45-01	RETAINING RING	A	735 58 55-01	WASHER	Q
537 12 46-01	RETAINING RING	A	737 44 08-00	CLIP RING	K
537 12 47-01	BEARING	A	738 21 01-10	BALL BEARING	M
537 12 48-01	RETAINING RING	A	738 88 10-01	GREASE NIPPLE	A
537 12 53-01	SCREW	A	740 42 06-00	O-RING 8X1.6	D

IPL, 325 HDA 55X-SERIES, 323 HE 3, 325 HE 3X-SERIES, 325 HE 4X-SERIES, HA 110, HA 850, 2005-02, 544 05 84-01