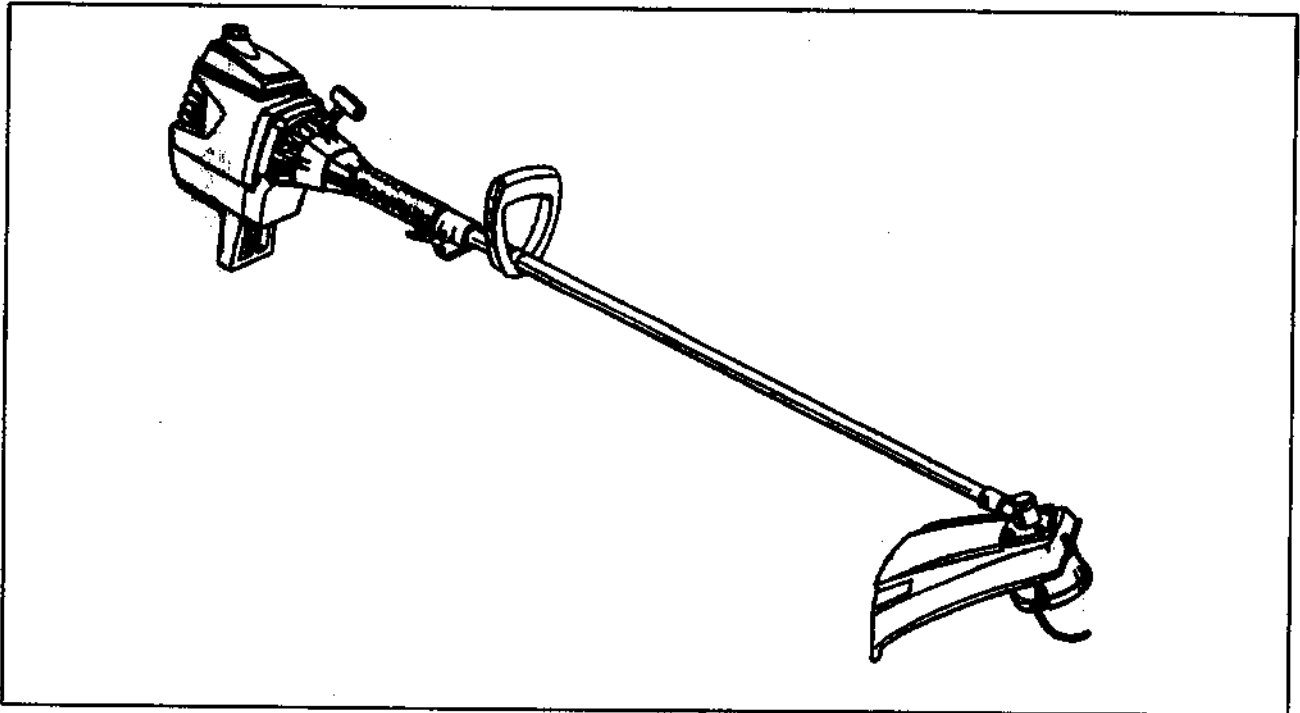


32 RL



1.1990

Spare parts

Pièces détachées

| Key No. | Part No. | Description | Key No. | Part No. | Description |
|---------|--------------|--|-----------|--------------|------------------------------------|
| 1 | 530 02 75-95 | Drive Shaft Pad | 24 | 952 70 85-27 | Cutting Head Ass'y. (Incl. #25-27) |
| 2 | 530 01 57-68 | Nut | 25 | 530 09 47-59 | Hub Ass'y |
| 3 | 530 09 48-98 | Drive Shaft Housing | 26 | 952 70 85-28 | Spool w/Line |
| 4 | 530 01 09-57 | Handle | 27 | 530 09 44-94 | Cover |
| 5 | 530 01 51-97 | Nut | 28 | 530 03 11-11 | Hex Wrench (5/32) |
| 6 | 530 00 15-42 | Lockwasher | 29 | 530 03 10-98 | Hex Wrench (3/16) |
| 7 | 530 00 17-11 | Screw | 30 | 530 03 01-02 | Shaft Lubrication |
| 8 | 530 01 57-90 | Screw | 31 | 530 01 42-22 | Handle Ass'y. |
| 9 | 530 01 57-90 | Screw | 32 | 530 01 56-10 | Nut |
| 10 | 530 01 09-59 | Throttle Lever Ass'y. w/ Lock (Incl. #2 & 9) | 33 | 530 09 47-42 | Clamp |
| 11 | 530 06 92-52 | "T" Handle Ass'y. | 34 | 530 09 46-86 | Clamp Harness Ass'y. |
| 12 | 530 01 53-28 | Lockwasher | 35 | 530 09 46-38 | Shoulder Strap |
| 13 | 530 09 46-12 | Screw | | | |
| 14 | 530 09 45-68 | Gear Box Ass'y. | | | |
| 15 | 530 09 45-85 | Drive Shaft | | | |
| 16 | 530 06 92-56 | Shield Kit Ass'y. (Incl. #17-19) | Decals | | |
| 17 | 530 01 50-37 | Screw | A | 530 02 91-65 | Shaft Warning Decal (Upper) |
| 18 | 530 09 45-70 | Line Limiter | B | 530 02 91-66 | Shaft Warning Decal (Lower) |
| 19 | 530 01 56-53 | Locknut | | | |
| 20 | 530 09 46-16 | Screw | Not Shown | | |
| 21 | 530 09 46-40 | Seal | | 530 06 77-42 | Operator's Manual |
| 22 | 530 09 46-39 | Dust Cup | | | |
| 23 | 530 09 45-71 | Grass Washer | | | |

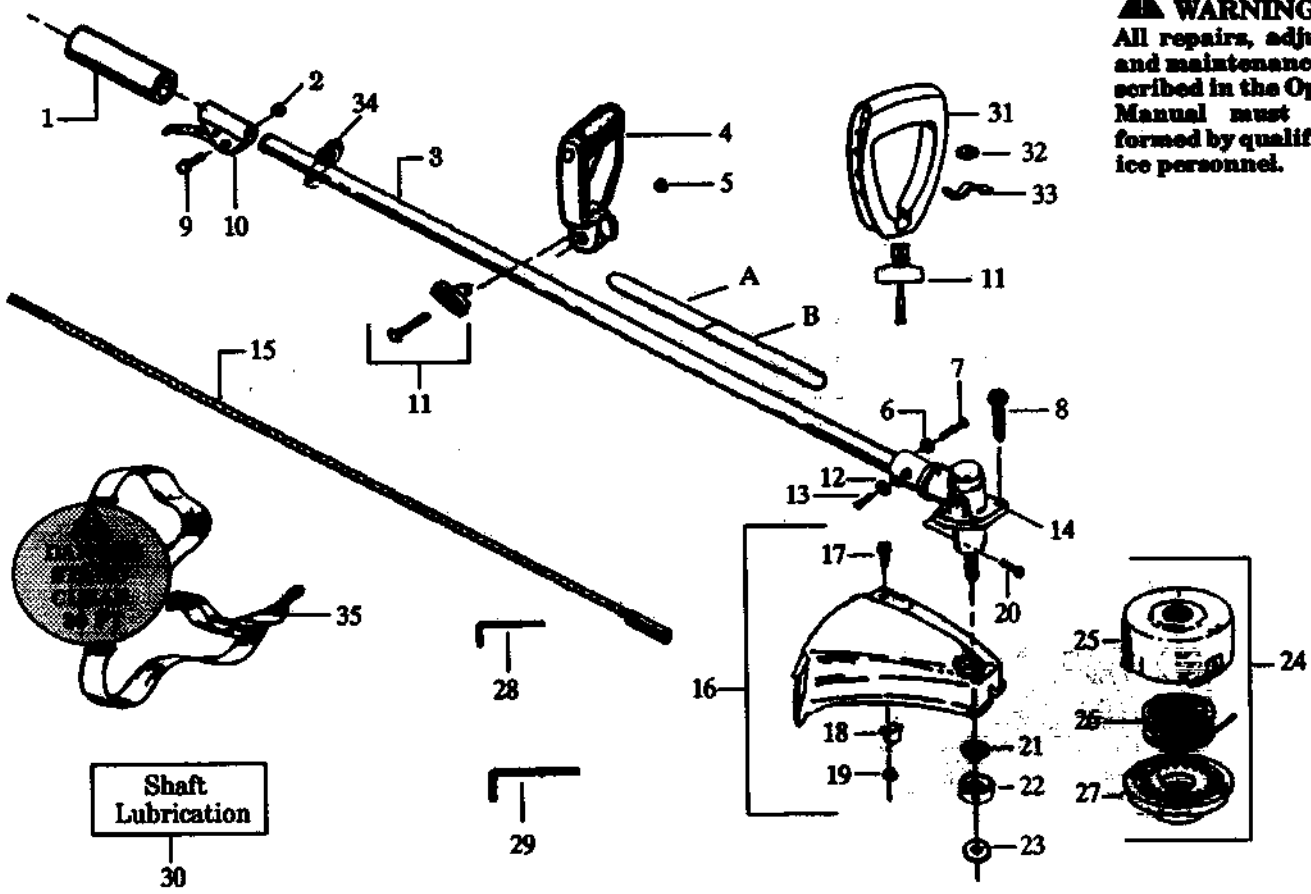
| PARTS LIST NO. 530-067743 - 12/18/89 | | HUSQVARNA PARTS LIST | | | Trimmer Model: 32 RL | |
|---|------------------|---|-----------|--------------|--|--|
| Page No. 3 | REPLACES NONE | Note: Illustrations may differ from actual models due to design changes | | | | |
| Key No. | Part No. | Description | Key No. | Part No. | Description | |
| 1 | :530 01 57-72 | Screw | 51 | 530 03 91-34 | Ignition Module Kit | |
| 2 | :530 02 75-29 | Air Filter Cover | 52 | 530 01 51-28 | Screw | |
| 3 | :530 02 75-30 | Air Filter | 53 | 530 03-91-36 | Flywheel Ass'y. | |
| 4 | :530 01 58-49 | Screw | 54 | 530 02 75-72 | Flywheel Counterweight | |
| 5 | :530 02 75-28 | Spacer | 55 | 530 02 91-89 | Fan Housing | |
| 6 | :530 01 52-54 | Wave Washer | 56 | 530 06 92-91 | Starter Pulley | |
| 7 | :530 02 75-26 | Choke Shutter | 57 | 530 02 75-31 | Starter Spring | |
| 8 | :530 02 75-27 | Air Filter Plate | 58 | 530 02 75-69 | Starter Handle | |
| 9 | :530 06 92-47 | Fuel Line Kit | 59 | 530 06 92-32 | Rope Kit | |
| 10 | :530 01 08-97 | Fuel Pick-up Ass'y. | 60 | 530 01 41-14 | Pulley Housing Ass'y. | |
| 11 | :530 03 52-59 | Carburetor (WA-199) | 61 | 530 09 41-89 | Clutch Washer | |
| 12 | † 530 01 91-56 | Carburetor Gasket | 62 | 530 06 92-59 | Clutch | |
| 13 | :530 01 08-07 | Fuel Cap Ass'y. | 63 | 530 01 57-96 | Washer | |
| 14 | :530 01 57-75 | Screw | 64 | 530 00 17-33 | Nut | |
| 15 | :530 02 75-49 | Throttle Cable Ass'y. | 65 | 530 01 41-15 | Clutch Housing | |
| 16 | :530 02 91-88 | Shroud & Tank Ass'y. | 66 | 530 01 57-67 | Screw | |
| 17 | † 530 01 91-54 | Gasket | 67 | 530 02 75-11 | Spacer | |
| 18 | :530 02 75-93 | Reed | 68 | 530 01 57-70 | Screw | |
| 19 | :530 02 75-94 | Reed Stop | 69 | 530 01 57-69 | Screw | |
| 20 | :530 01 09-60 | Connecting Rod Ass'y. (Incl. Bearings) | 70 | 530 01 54-96 | Screw | |
| 21 | :530 01 09-34 | Crankshaft Ass'y. | 71 | 530 02 75-23 | Pulley Retainer | |
| 22 | :530 01 51-26 | Flywheel Key | 72 | 530 01 57-68 | Locknut | |
| 23 | :530 01 57-72 | Screw | 73 | 530 06 92-76 | Engine Gasket Kit (†Indicates Contents) | |
| 24 | :530 01 57-80 | Screw | 76 | 530 03 50-14 | *+ Metering Diaphragm | |
| 25 | :530 02 75-46 | Kill Switch Insulator | 77 | 530 03 51-51 | *+ Metering Diaphragm Gasket | |
| 26 | :530 02 75-47 | Lead Wire | 78 | 530 03 51-47 | *+ Circuit Plate Gasket | |
| 27 | :530 01 57-71 | Screw | 79 | 530 03 51-42 | Hi Speed Needle | |
| 28 | :530 01 40-16 | Crankcase Ass'y. (Incl. #39-42) | 80 | 530 03 50-36 | Hi Speed Needle Spring | |
| 29 | :530 02 75-45 | Kill Switch Ramp | 81 | 530 03 51-41 | Idle Needle | |
| 30 | :530 02 79-58 | Kill Switch Button | 82 | 530 03 50-23 | Idle Needle Spring | |
| 31 | :530 02 79-59 | Kill Switch Spring | 83 | 530 03 52-03 | Idle Speed Screw | |
| 32 | :530 01 40-15 | Crankcase & Crankshaft Ass'y. (Incl. #21,28, 38 & 43) | 84 | 530 03 52-08 | Idle Speed Spring | |
| 33 | :530 01 52-41 | Screw | 85 | 530 03 50-28 | + Metering Lever Pin | |
| 34 | :530 01 51-62 | Piston Pin Retainer | 86 | 530 03 80-31 | + Metering Lever | |
| 35 | :530 02 58-75 | Piston Ring | 87 | 530 03 51-88 | + Metering Lever Spring | |
| 36 | † 530 01 91-61 | Cylinder Gasket | 88 | 530 03 51-06 | + Inlet Needle Valve | |
| 37 | :530 06 92-77 | Piston Kit (Incl. #34,35 & pin) | 89 | 530 03 51-78 | + Inlet Screen | |
| 38 | :530 01 57-88 | Spacer | 90 | 530 03 51-66 | *+ Pump Diaphragm | |
| 39 | :530 03 21-03 | Inner Bearing | 91 | 530 03 51-64 | *+ Pump Gasket | |
| 40 | :530 01 57-87 | Retaining Ring | 92 | 530 03 52-60 | Carb. Kwik Repair Kit (+ Indicates Contents) | |
| 41 | :530 01 91-58 | Crankshaft Seal | 93 | 530 03 51-85 | Carb. Gasket/Diaphragm Kit (*Indicates Contents) | |
| 42 | :530 03 21-02 | Outer Bearing | 94 | 530 01 58-23 | Screw (Incl. in Starter Pulley Kit) | |
| 43 | :530 01 57-89 | Crankshaft Retaining Ring | | | | |
| 44 | :530 01 57-17 | Screw | | | | |
| 45 | :530 02 77-81 | Muffler Guard | | | | |
| 46 | :530 06 92-57 | Muffler Kit | A | 530 02 94-96 | Instruction Decal | |
| 47 | :530 02 49-03 | Muffler Spring | | | | |
| 48 | :530 01 22-38 | Cylinder | | | | |
| 49 | :530 03 00-58 | Spark Plug | Not Shown | | | |
| 50 | :530 01 52-39 | Screw | | | | |
| | | | | 230 03 13-14 | Carton | |
| | | | | 530 01 42-49 | Ass'y. Parts Bag | |

† = Engine Gasket Kit Contents

☆☆☆☆ = Service Reference

| | | | |
|---|------------------|-----------------------------|-------------------------|
| PARTS LIST NO. 530-067743 - 12/18/89 | | HUSQVARNA PARTS LIST | Trimmer Model: 32 RL |
| Page No. 1 | REPLACES NONE | | |

▲ WARNING
 All repairs, adjustments and maintenance not described in the Operator's Manual must be performed by qualified service personnel.



HUSQVARNA PARTS LIST

Note: Illustrations may differ from actual models due to design changes

