

335XPT

Spare parts

Ersatzteile

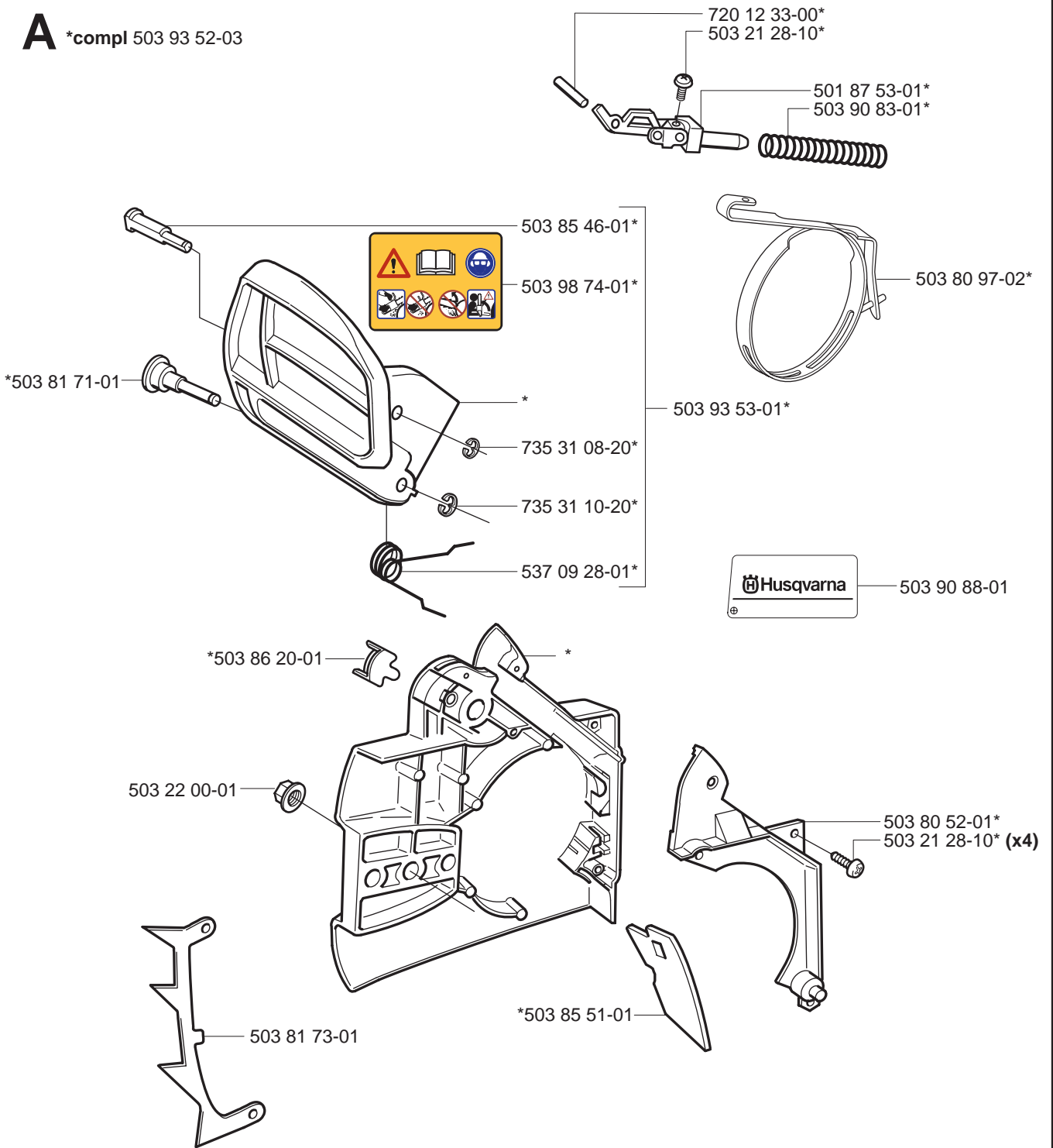
Pièces détachées

Reserve onderdelen

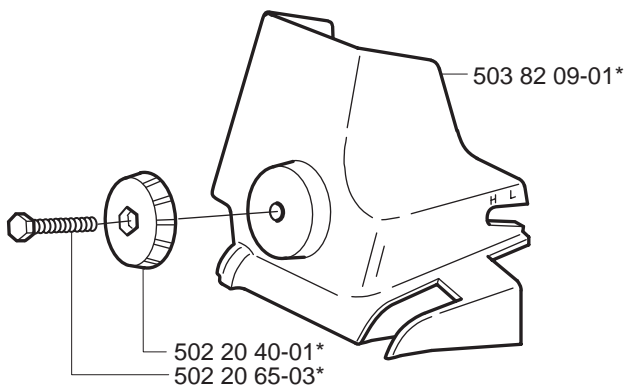
Repuestos

Reservdelar

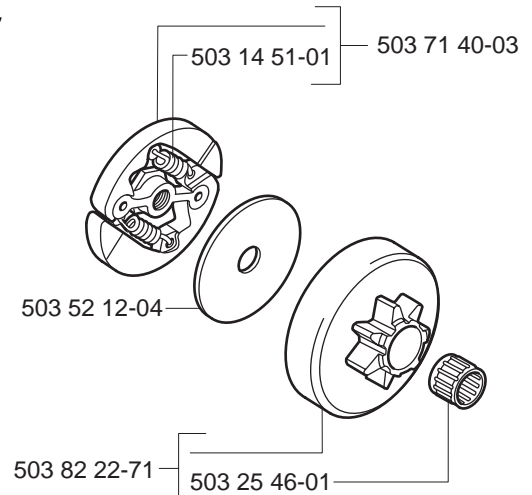
A *compl 503 93 52-03

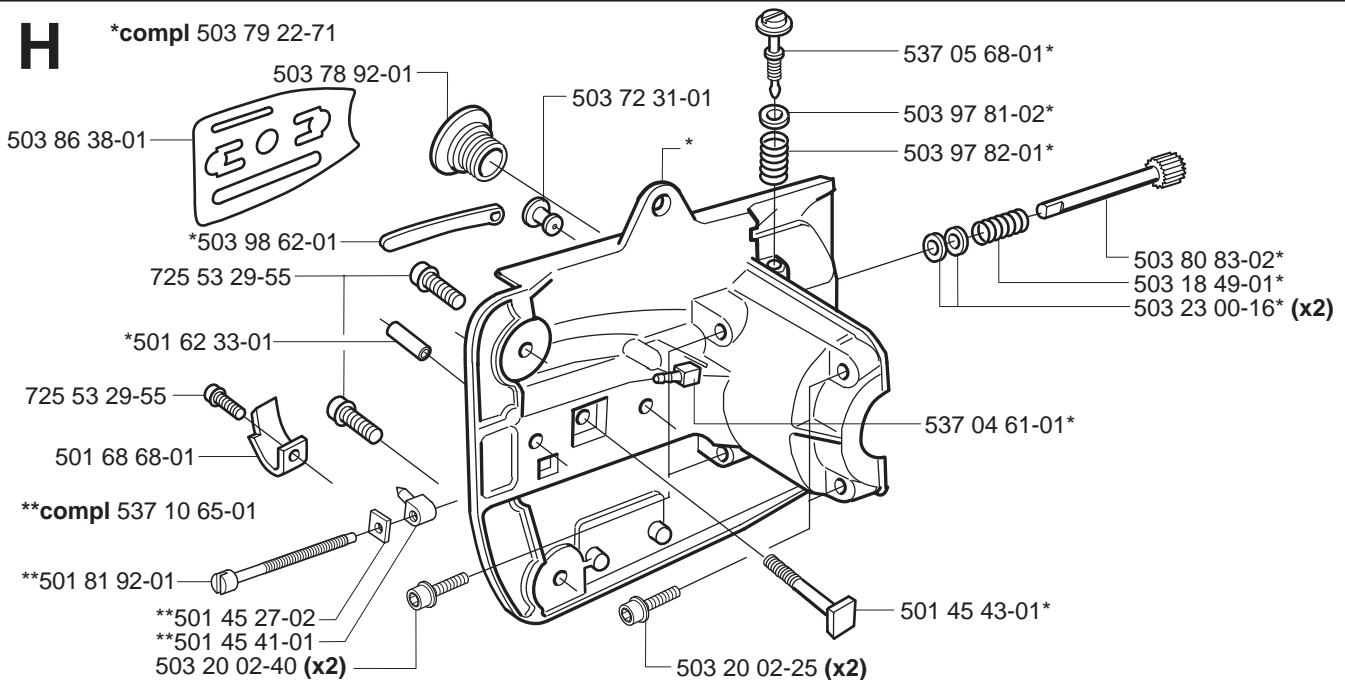
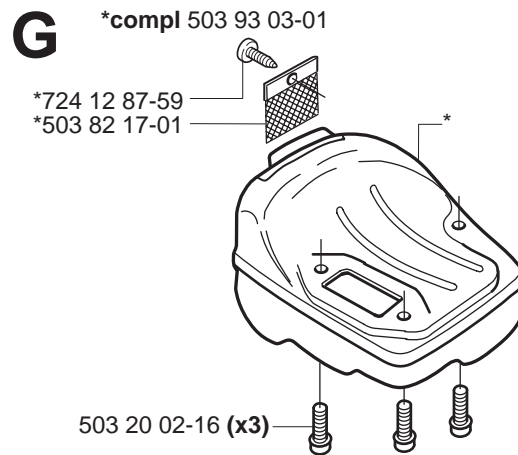
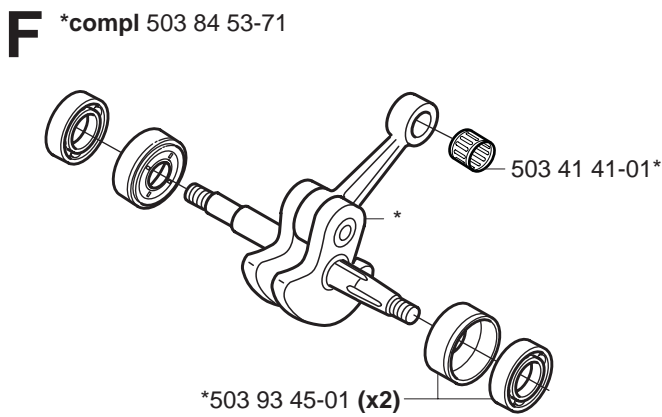
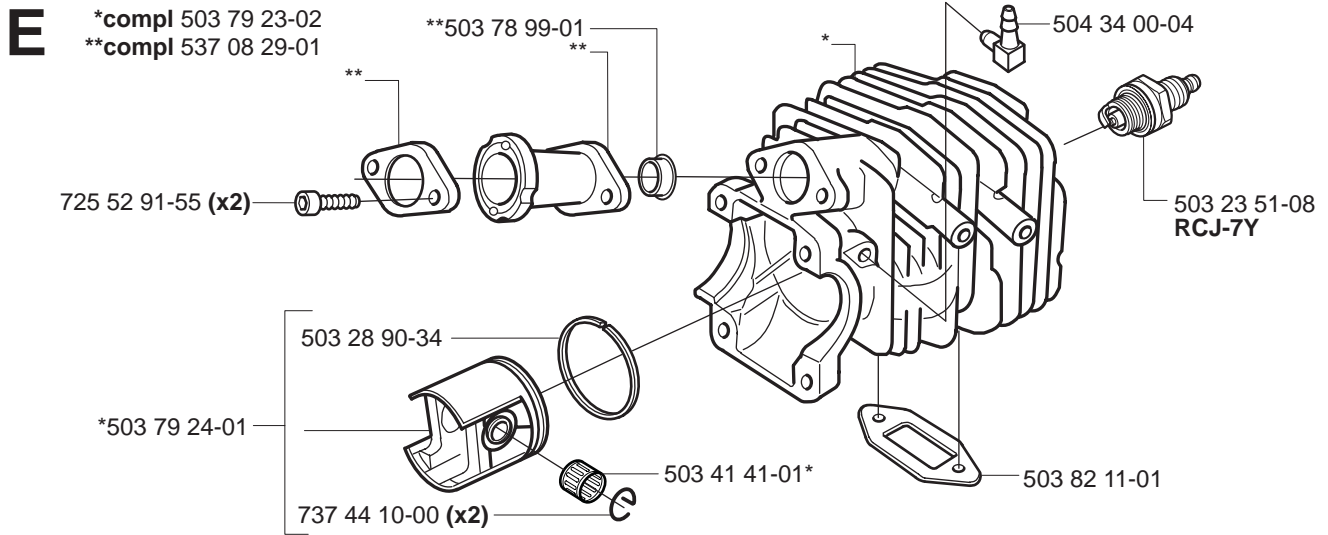
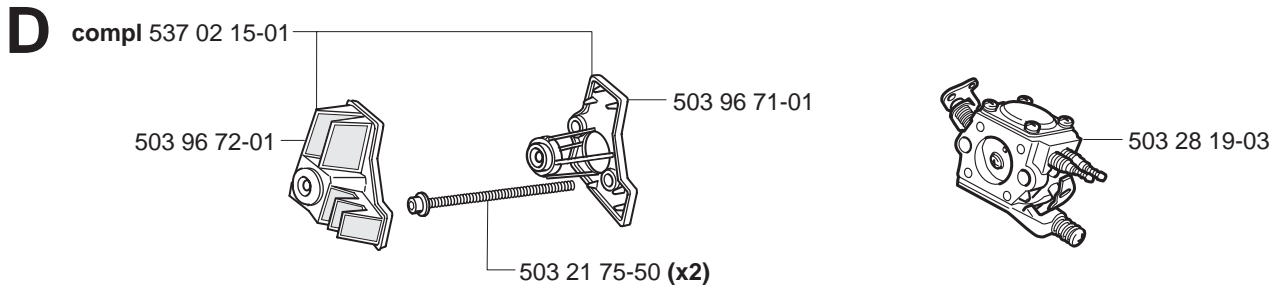


B *compl 503 79 26-01

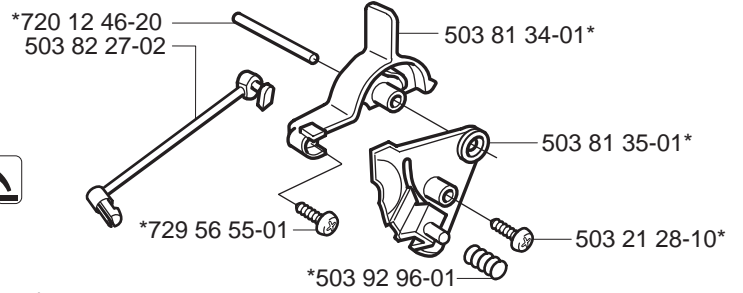
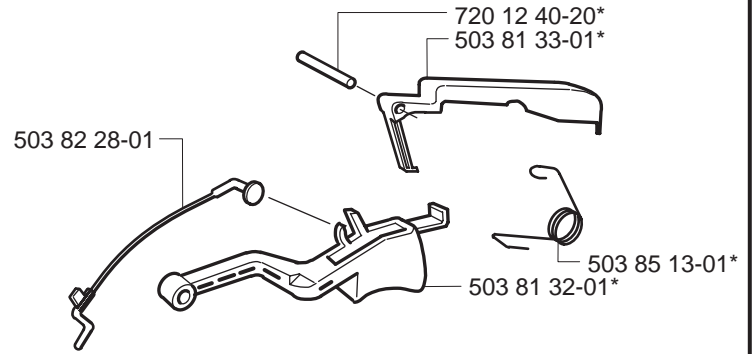
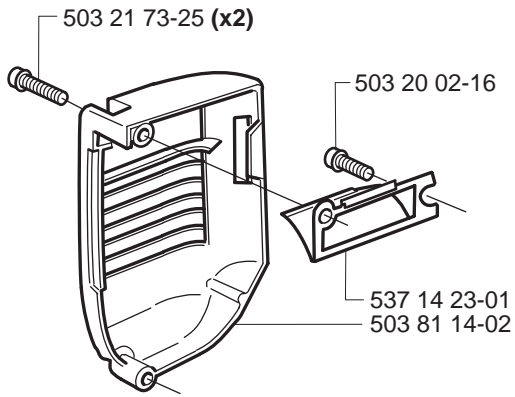


C



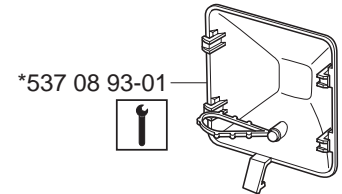
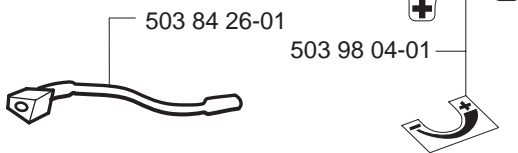


J

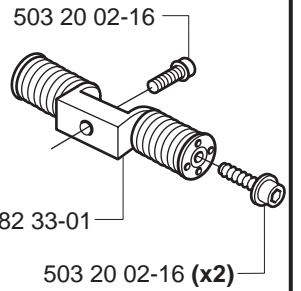


K

*compl 503 79 21-73



503 60 04-01
501 62 98-01



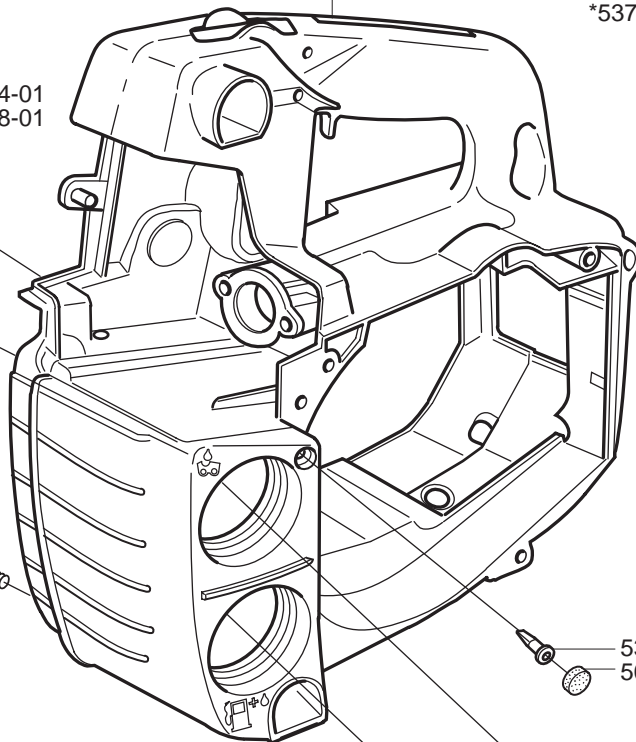
503 85 38-02

503 85 38-02

503 73 58-01

503 57 76-02

503 44 32-01



530 02 61-19*
503 98 13-01*

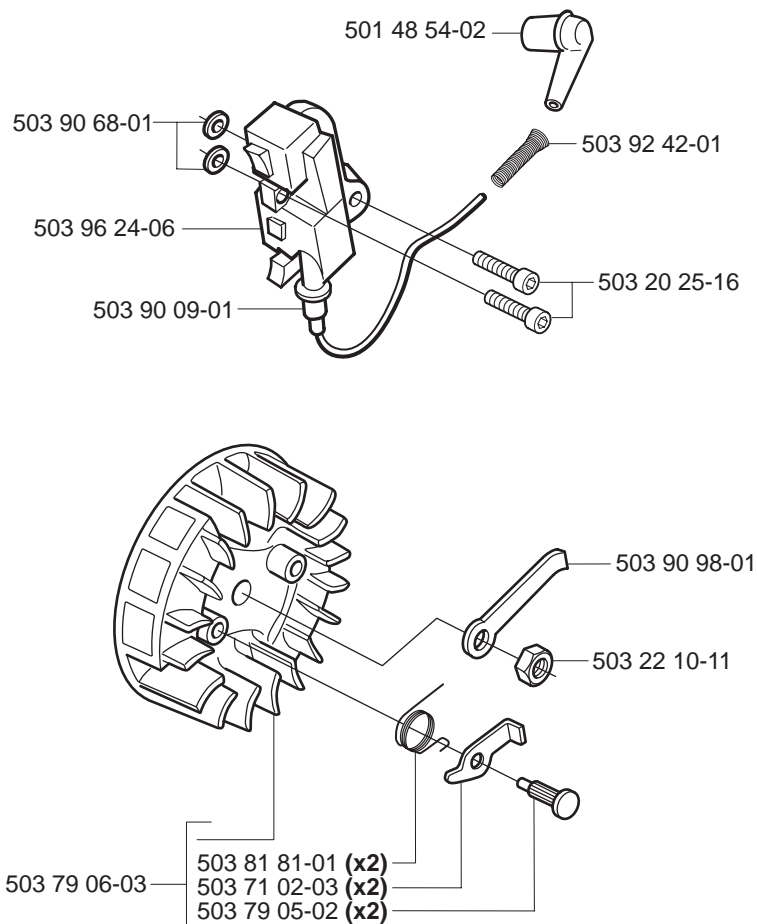
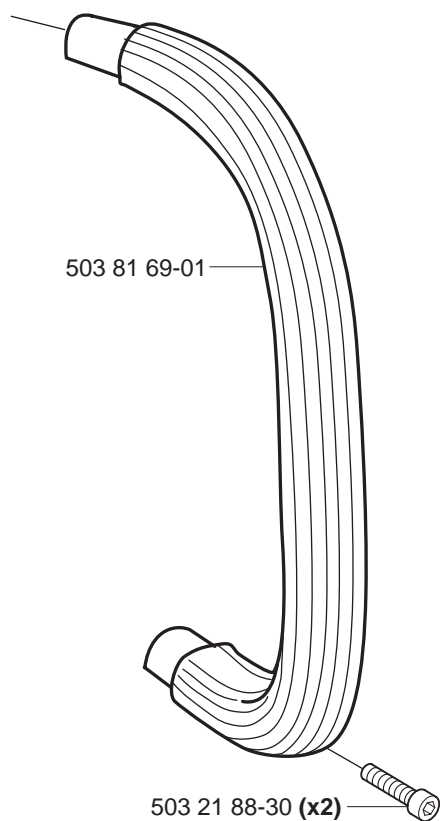
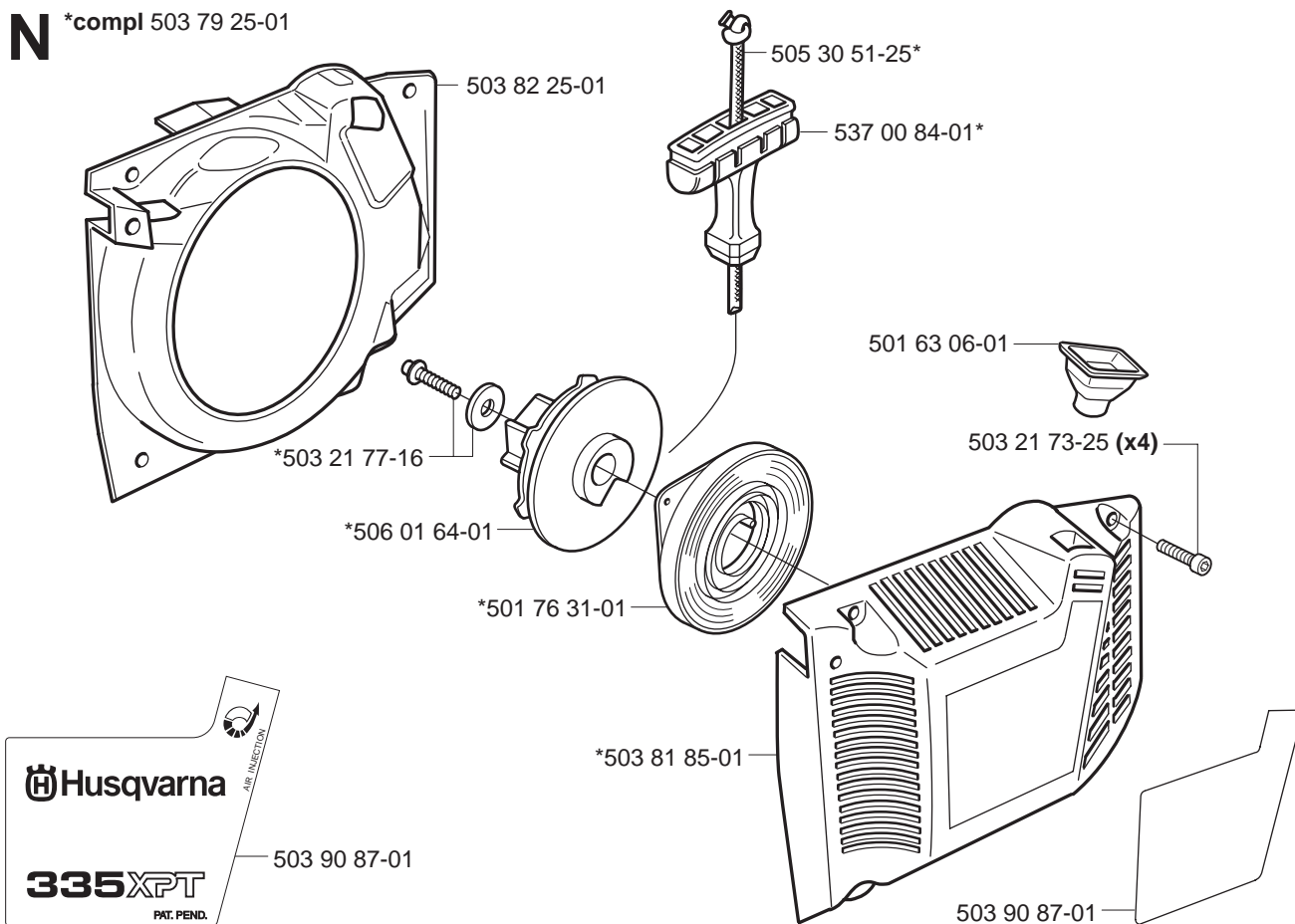
503 57 76-02

503 96 75-01

503 96 32-01*

503 57 89-01
503 26 30-17
compl 501 81 96-04

compl 501 81 96-02
503 57 89-01
503 26 30-17

L**M****N** *compl 503 79 25-01

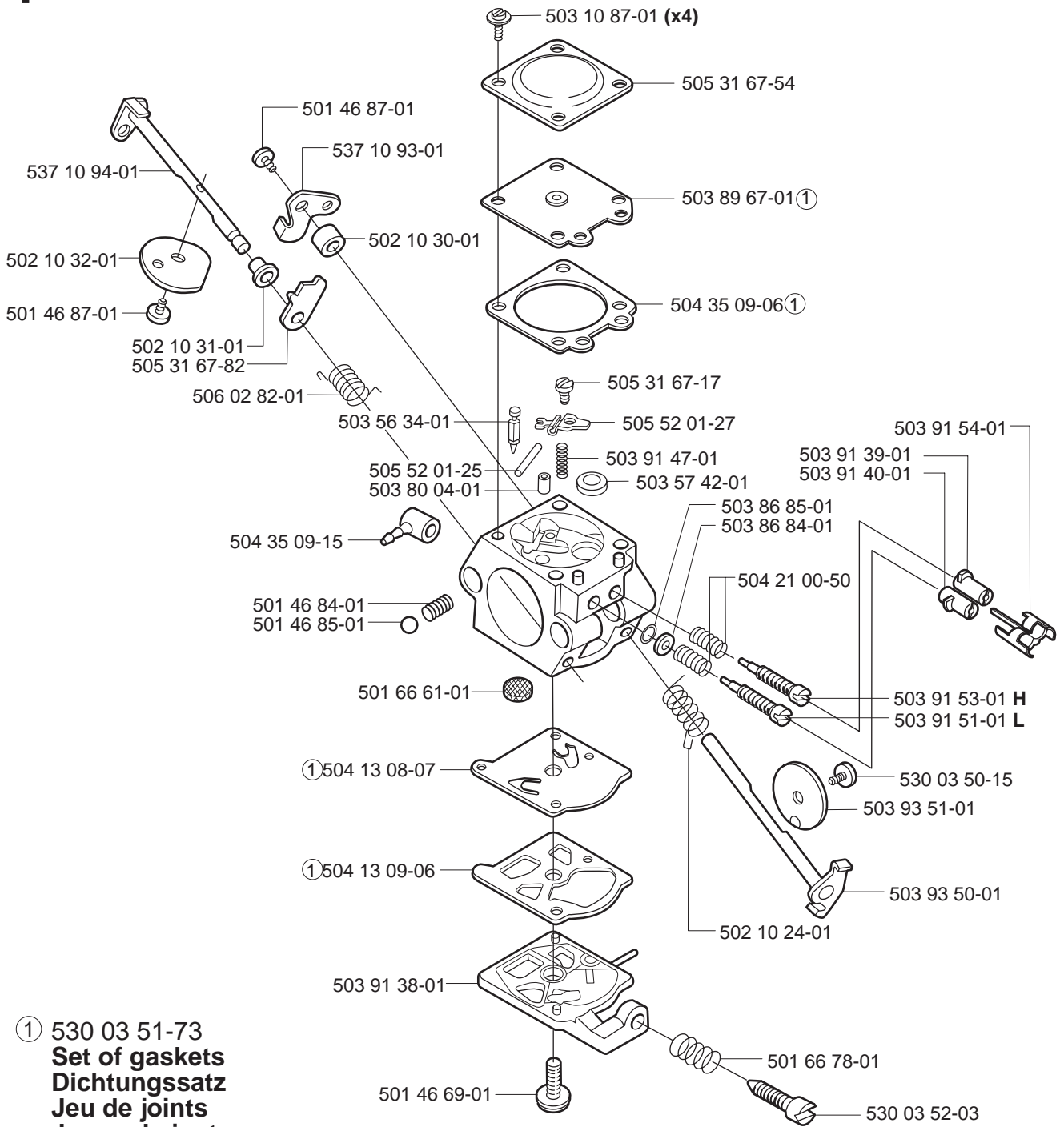
Husqvarna

335XPT

PAT. PEND.

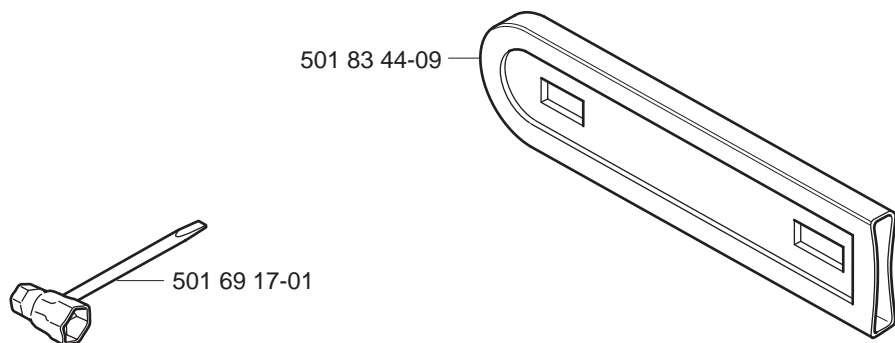


AIR INJECTION



① 530 03 51-73
Set of gaskets
Dichtungssatz
Jeu de joints
Juego de juntas
Packningssats

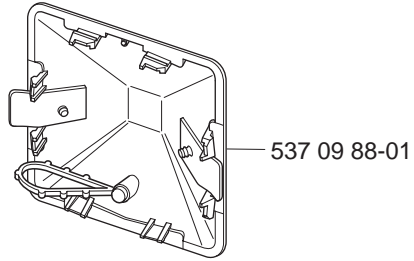
Q **Accessories**
Zubehöre
Accessoires
Acessorios
Tillbehör



R



**Up to:
-001200207**



PART NUMBER	SQUARE	NOTE	PART NUMBER	SQUARE	NOTE	PART NUMBER	SQUARE	NOTE	PART NUMBER	SQUARE	NOTE
501 45 27-02	H		503 80 52-01	A		505 30 51-25	N				
501 45 41-01	H		503 80 83-02	H		505 31 67-17	P				
501 45 43-01	H		503 80 97-02	A		505 31 67-54	P				
501 46 69-01	P		503 81 14-02	J		505 31 67-82	P				
501 46 84-01	P		503 81 32-01	K		505 52 01-25	P				
501 46 85-01	P		503 81 33-01	K		505 52 01-27	P				
501 46 87-01	P		503 81 34-01	K		506 01 64-01	N				
501 48 54-02	L		503 81 35-01	K		506 02 82-01	P				
501 62 33-01	H		503 81 69-01	M		530 02 61-19	K				
501 62 98-01	K		503 81 71-01	A		530 03 50-15	P				
501 63 06-01	N		503 81 73-01	A		530 03 51-73	P	1			
501 66 61-01	P		503 81 81-01	L		530 03 52-03	P				
501 66 78-01	P		503 81 85-01	N		537 00 84-01	N				
501 68 68-01	H		503 82 09-01	B		537 02 15-01	D				
501 69 17-01	Q		503 82 11-01	E		537 04 61-01	H				
501 76 31-01	N		503 82 17-01	G		537 05 68-01	H	N			
501 81 92-01	H		503 82 22-71	C	N	537 08 29-01	E	N			
501 81 96-02	K		503 82 25-01	N		537 08 93-01	K,R	N			
501 81 96-04	K	N	503 82 27-02	K		537 09 88-01	R	N			
501 83 44-09	Q		503 82 28-01	K		537 09 28-01	A	N			
501 87 53-01	A		503 82 33-01	K		537 10 65-01	H	N			
502 10 24-01	P		503 84 26-01	K		537 10 93-01	P	N			
502 10 30-01	P		503 84 53-71	F		537 10 94-01	P	N			
502 10 31-01	P		503 85 13-01	K		537 14 23-01	J	N			
502 10 32-01	P		503 85 38-02	K		720 12 33-00	A				
502 20 40-01	B		503 85 46-01	A		720 12 40-20	K				
502 20 65-03	B		503 85 51-01	A		720 12 46-20	K				
503 10 87-01	P		503 86 20-01	A		724 12 87-59	G				
503 14 51-01	C		503 86 38-01	H		725 52 91-55	E	N			
503 18 49-01	H		503 86 84-01	P		725 53 29-55	H				
503 20 02-16	G,J,K		503 86 85-01	P		729 56 55-01	K				
503 20 02-25	H		503 89 67-01	P	1	735 31 08-20	A				
503 20 02-40	H		503 90 09-01	L		735 31 10-20	A				
503 20 25-16	L		503 90 68-01	L		737 44 10-00	E				
503 21 28-10	A,K		503 90 83-01	A							
503 21 73-25	J,N		503 90 87-01	N							
503 21 75-50	D		503 90 88-01	A							
503 21 77-16	N		503 90 98-01	L							
503 21 88-30	M		503 91 38-01	P							
503 22 00-01	A		503 91 39-01	P							
503 22 10-11	L		503 91 40-01	P							
503 23 00-16	H		503 91 47-01	P							
503 23 51-08	E	N	503 91 51-01	P							
503 25 46-01	C		503 91 53-01	P							
503 26 30-17	K		503 91 54-01	P							
503 28 19-03	D,P	N	503 92 42-01	L							
503 28 90-34	E		503 92 96-01	K							
503 41 41-01	E,F		503 93 03-01	G							
503 44 32-01	K		503 93 45-01	F							
503 52 12-04	C		503 93 50-01	P							
503 56 34-01	P		503 93 51-01	P							
503 57 42-01	P		503 93 52-03	A							
503 57 76-02	K	N	503 93 53-01	A							
503 57 89-01	K		503 96 24-06	L	N						
503 60 04-01	K		503 96 32-01	K							
503 71 02-03	L	N	503 96 71-01	D							
503 71 40-03	C		503 96 72-01	D							
503 72 31-01	H		503 96 75-01	K							
503 73 58-01	K	N	503 97 81-02	H	N						
503 78 92-01	H		503 97 82-01	H							
503 78 99-01	E	N	503 98 04-01	K							
503 79 05-02	L		503 98 13-01	K							
503 79 06-03	L		503 98 62-01	H	N						
503 79 21-73	K	N	503 98 74-01	A							
503 79 22-71	H		504 13 08-07	P	1						
503 79 23-02	E		504 13 09-06	P	1						
503 79 24-01	E		504 21 00-50	P							
503 79 25-01	N		504 34 00-04	E							
503 79 26-01	B		504 35 09-06	P	1						
503 80 04-01	P		504 35 09-15	P							

1 = 530 03 51-73

Set of gaskets
Dichtungssatz
Jeu de joints
Juego de juntas
Packningssats

N = New part
Neues teil
Nouvelle piece
Nueva pieza
Ny detalj