

336

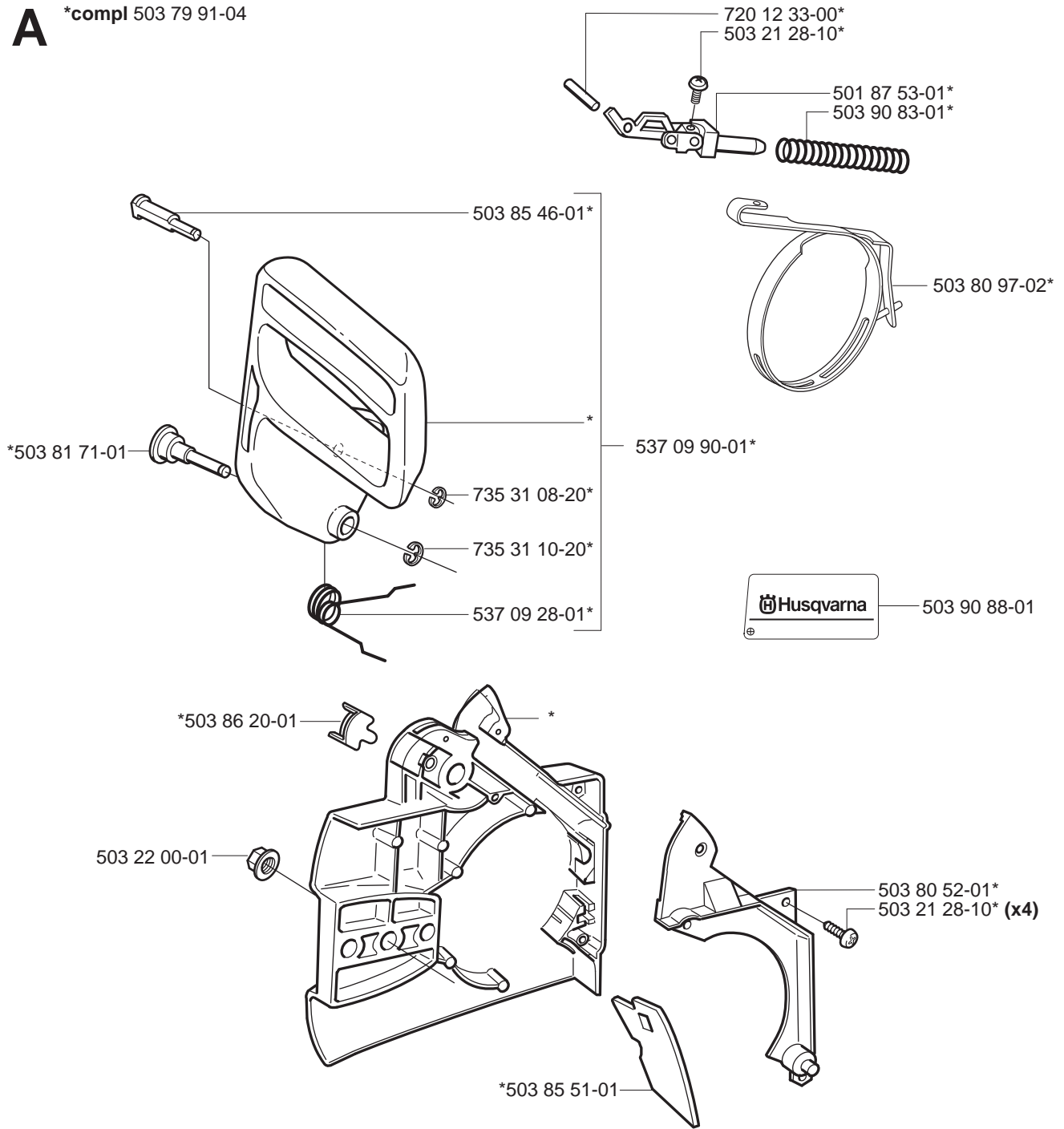
Spare parts
Ersatzteile
Pièces détachées
Reserve onderdelen
Repuestos
Reservdelar

PART NUMBER	SQUARE	NOTE	PART NUMBER	SQUARE	NOTE	PART NUMBER	SQUARE	NOTE	PART NUMBER	SQUARE	NOTE
501 45 27-02	L		503 81 71-01	A		537 10 65-01	L				
501 45 41-01	L		503 81 73-01	Q		537 11 16-01	Q				
501 45 43-01	L		503 81 81-01	G		537 11 32-03	J				
501 48 54-02	G		503 81 85-01	H		537 11 41-01	Q				
501 60 02-03	Q		503 81 93-71	B		537 12 68-06	J				
501 62 33-01	L		503 82 11-01	J		537 12 76-01	N				
501 68 68-01	Q		503 82 17-01	F		537 13 59-03	C				
501 69 17-01	Q		503 82 22-71	B		537 13 73-01	Q				
501 76 31-01	H		503 82 25-03	H		537 13 97-01	N				
501 81 92-01	L		503 82 33-02	N		537 15 77-02	J				
501 82 25-01	N		503 82 98-01	N		537 16 21-04	G				
501 83 44-09	Q		503 84 26-01	N		537 16 24-03	H				
501 87 53-01	A		503 84 27-01	Q		537 16 73-01	J				
502 11 46-02	Q		503 85 38-04	N		537 18 00-01	J				
502 20 65-03	C		503 85 46-01	A		537 19 07-01	E				
502 20 83-01	C		503 85 51-01	A		537 19 50-01	F				
503 14 51-01	B		503 86 20-01	A		537 20 19-01	H				
503 18 49-01	L		503 86 38-01	L		537 21 52-02	N				
503 20 02-16	F,L,N,Q		503 90 09-01	G		537 21 52-04	N				
503 20 02-25	L		503 90 32-01	P		537 23 39-01	G				
503 20 02-40	L		503 90 33-01	P		537 24 18-01	P				
503 20 25-16	G		503 90 34-01	P		537 24 19-01	D				
503 20 32-16	D		503 90 83-01	A		537 26 12-01	Q				
503 21 28-10	A		503 90 88-01	A		537 26 74-01	D				
503 21 57-16	M		503 90 98-02	G		537 27 31-01	P				
503 21 58-25	E,H		503 92 42-01	G		537 27 33-01	P				
503 21 75-50	D		503 93 03-03	F		537 27 34-01	P				
503 21 77-16	H		503 93 45-02	K		537 27 35-01	P				
503 22 00-01	A		503 96 75-01	N		537 27 36-01	P				
503 22 10-11	G		503 97 40-01	P		537 27 37-01	P				
503 22 65-04	N		503 97 81-02	L		537 27 38-01	P				
503 23 00-16	L		503 97 82-01	L		537 27 39-01	P				
503 23 51-08	J		503 98 13-01	N		537 27 40-01	P				
503 25 46-01	B		503 98 62-01	L		537 27 41-01	P				
503 26 30-17	N		503 98 74-01	N		537 27 42-01	P				
503 28 34-05	D,P		503 98 94-02	L		537 27 43-01	P				
503 28 90-34	J		503 99 49-72	J		537 27 44-01	P				
503 41 41-01	J,K		504 34 00-04	J		537 27 45-01	P				
503 44 32-01	N		504 34 00-04	J		537 27 46-01	P				
503 47 89-01	P		505 30 51-25	H		537 27 47-01	P				
503 47 90-01	P		530 02 61-19	N		537 27 48-01	P				
503 47 96-01	P		537 01 25-01	P		537 27 49-01	P				
503 47 97-01	P		537 01 26-01	P		537 27 50-01	P				
503 48 00-01	P		537 01 97-01	P		537 28 23-01	N				
503 48 01-01	P		537 02 00-01	P		537 32 20-01	Q				
503 48 18-01	P		537 02 01-01	P		537 33 28-01	D				
503 52 12-04	B		537 04 24-07	N		537 37 67-01	K				
503 53 57-01	P		537 04 61-01	L		537 38 83-01	P				
503 54 39-01	H		537 05 11-01	N		537 41 35-01	P				
503 55 22-01	J		537 05 28-01	N		537 42 64-01	Q				
503 55 66-01	N		537 05 54-01	E		537 43 18-01	Q				
503 57 76-02	N		537 05 68-01	L		720 12 33-00	A				
503 57 89-01	N		537 05 93-01	N		720 12 40-20	N				
503 66 59-01	P		537 06 35-01	N		720 12 75-20	N				
503 71 02-03	G		537 07 04-01	N		724 12 87-59	F				
503 71 40-03	B		537 07 25-01	M		735 31 08-20	A				
503 71 82-01	N		537 07 40-01	N		735 31 10-20	A				
503 72 31-01	L		537 07 58-01	N							
503 73 58-01	N		537 07 60-02	D							
503 73 64-01	N		537 07 61-01	D							
503 78 92-01	L		537 07 61-02	D							
503 78 92-02	L		537 07 91-01	B							
503 78 92-03	L		537 08 64-01	N							
503 79 05-02	G		537 08 89-03	N							
503 79 22-04	L		537 09 21-01	J							
503 79 25-02	H		537 09 28-01	A							
503 79 91-04	A		537 09 80-01	N							
503 80 52-01	A		537 09 90-01	A							
503 80 83-02	L		537 09 92-01	Q							
503 80 97-02	A		537 10 04-01	J							

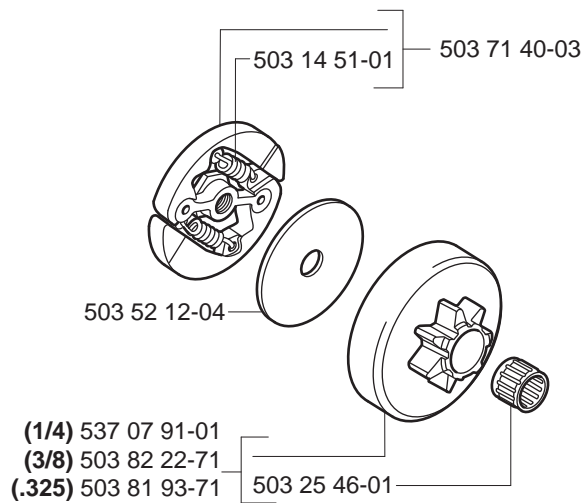
Set of gaskets, Dichtungssatz,
Jeu de joints, Juego de juntas,
Packningssats

A

*compl 503 79 91-04

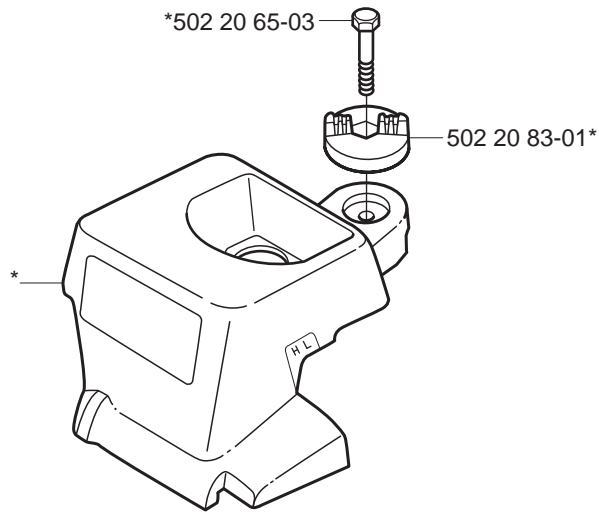
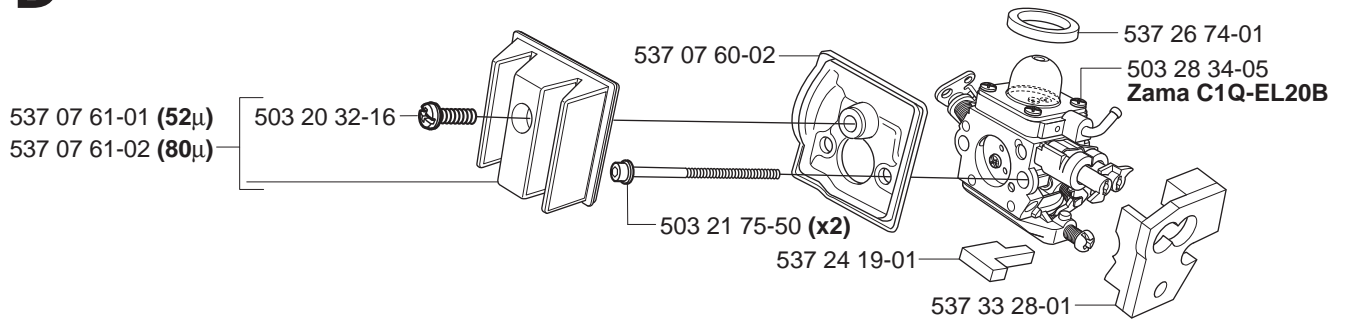
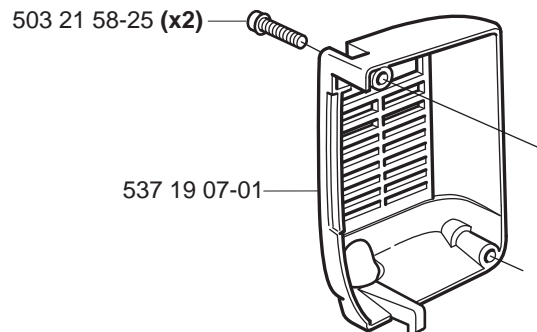
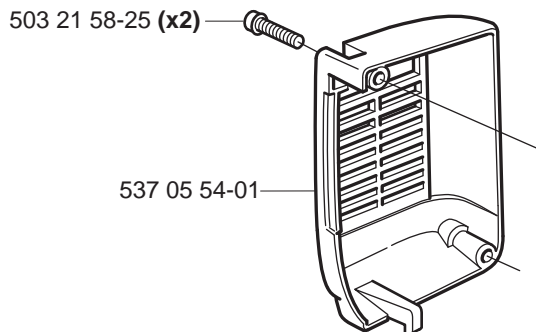


B



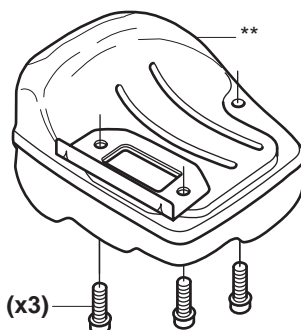
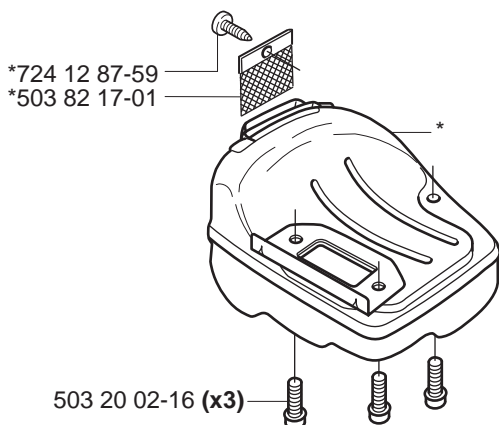
C

*compl 537 13 59-03

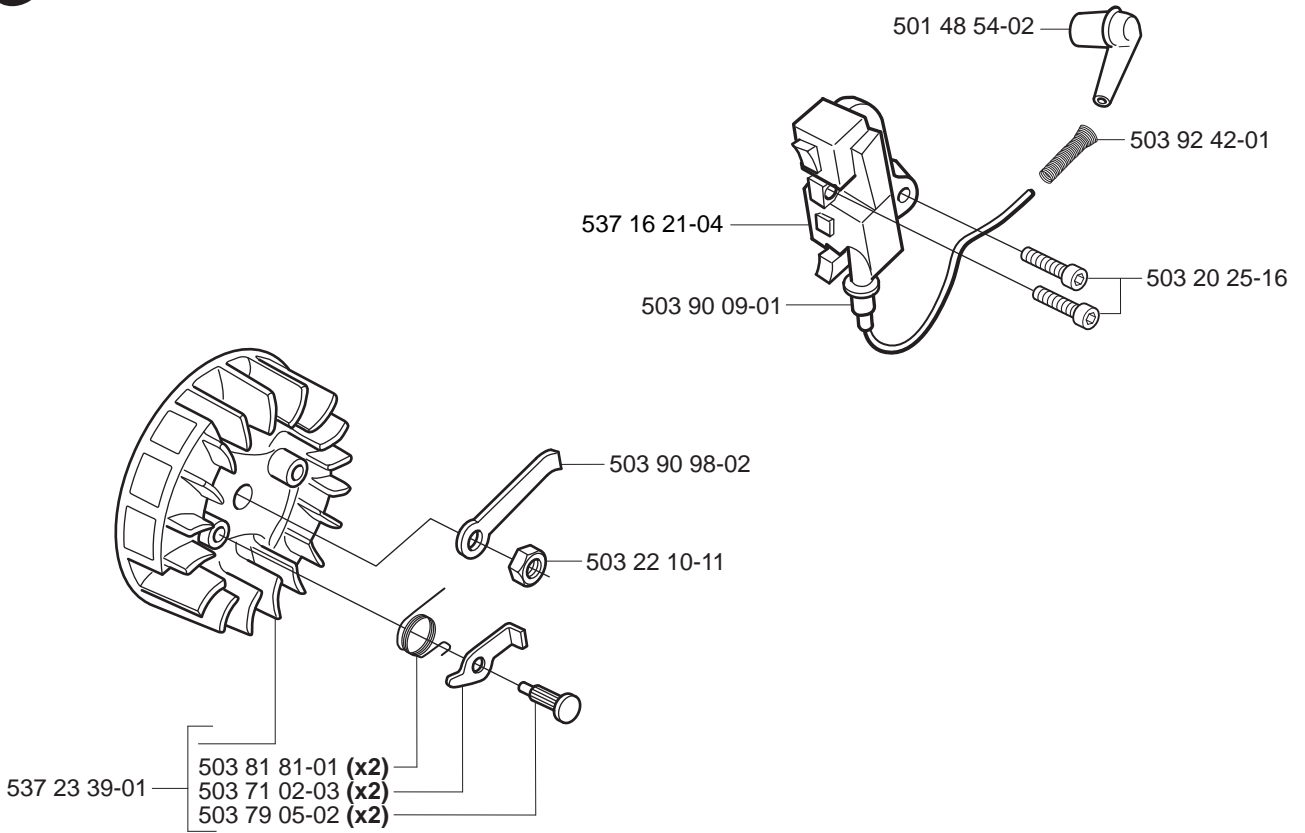
**D****E****F**

*compl 503 93 03-03

**compl 537 19 50-01

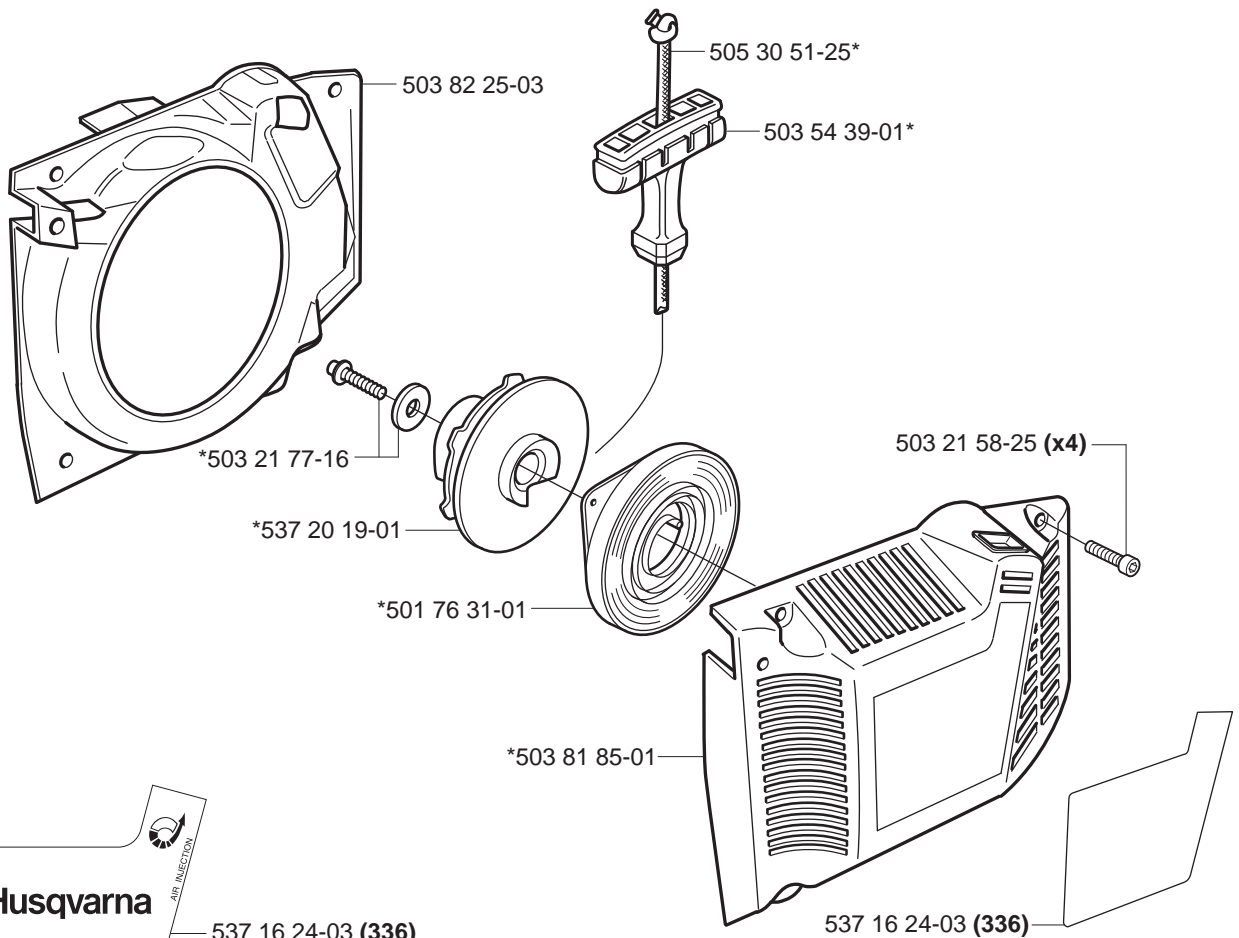


G



H

*compl 503 79 25-02



 **Husqvarna**

336

PAT. PEND.

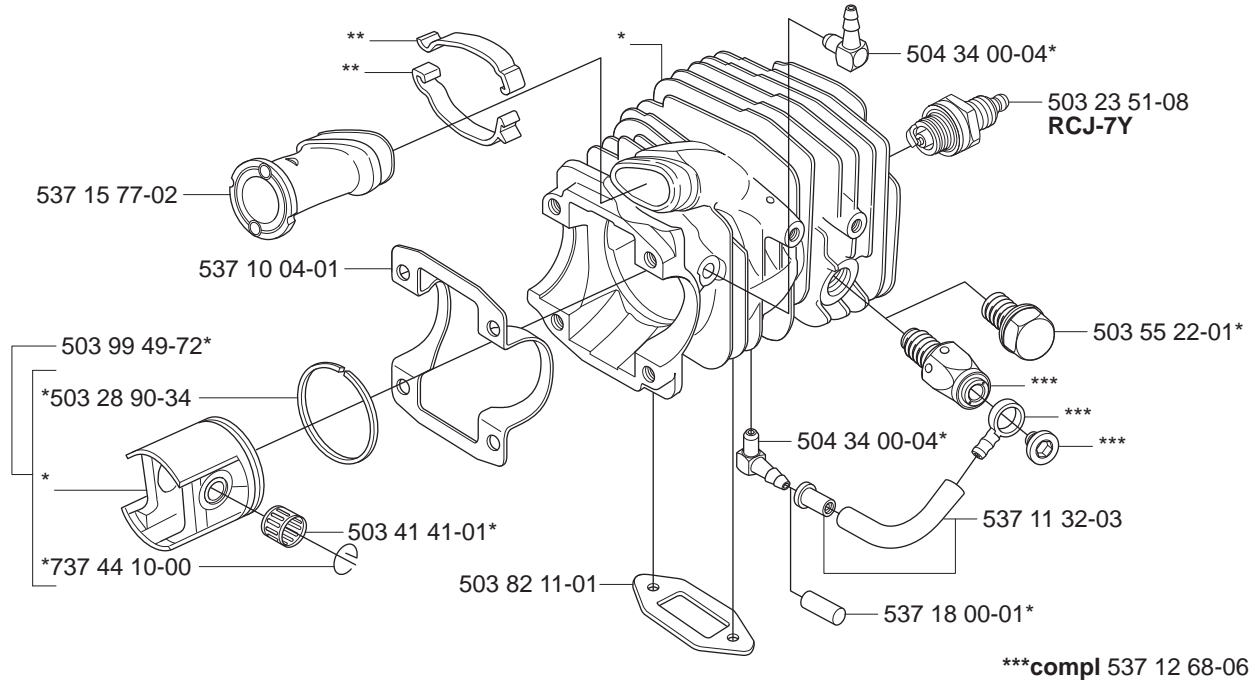


537 16 24-03 (336)

J

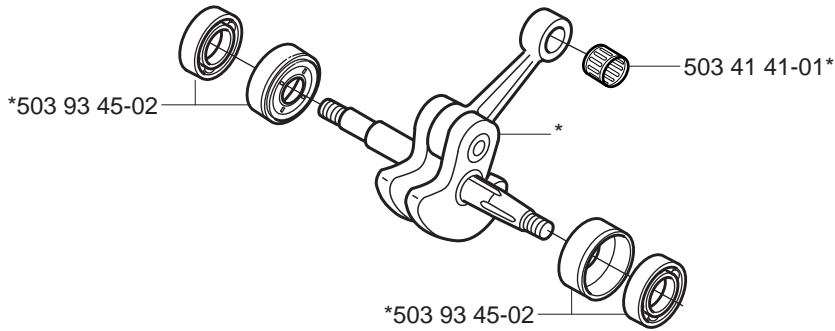
*compl 537 09 21-01

**compl 537 16 73-01



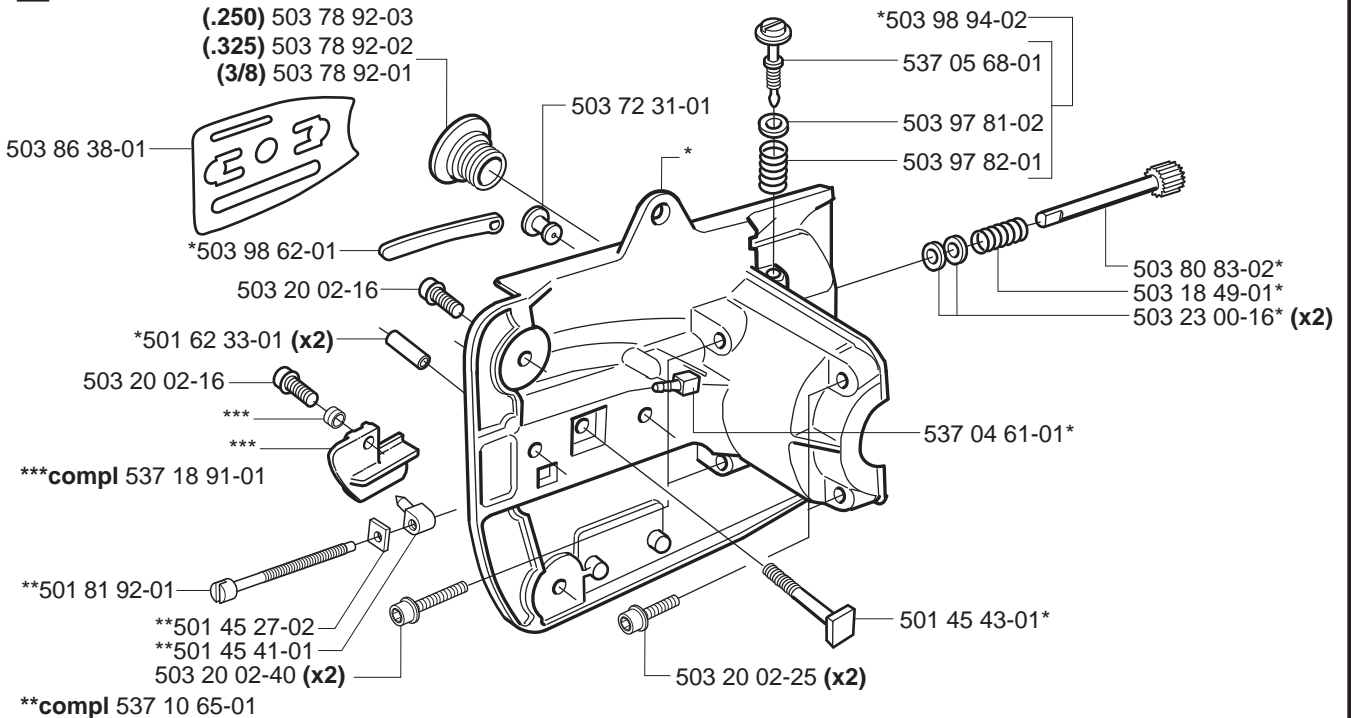
K

*compl 537 37 67-01

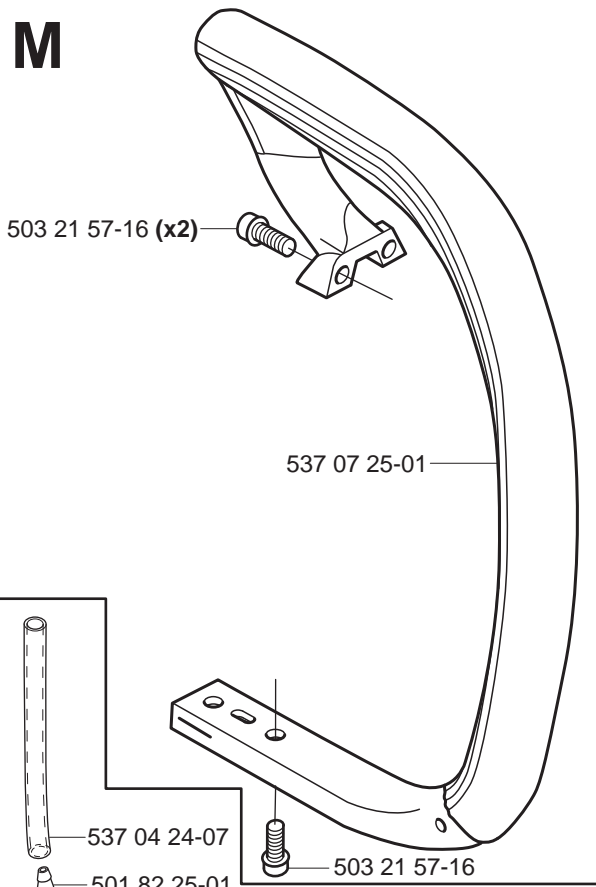


L

*compl 503 79 22-04

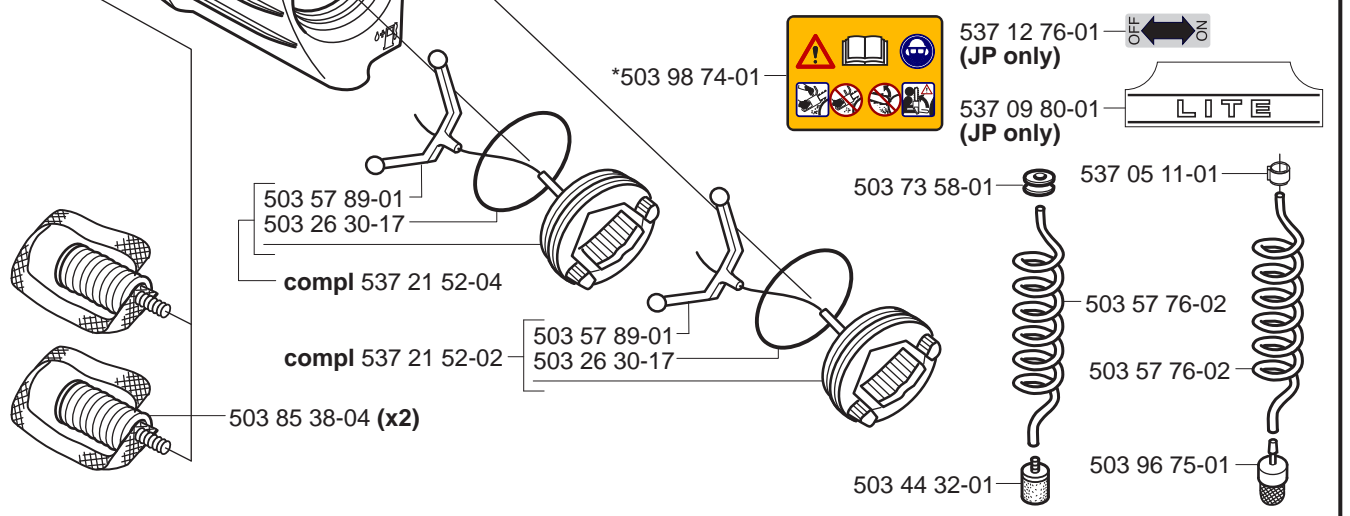
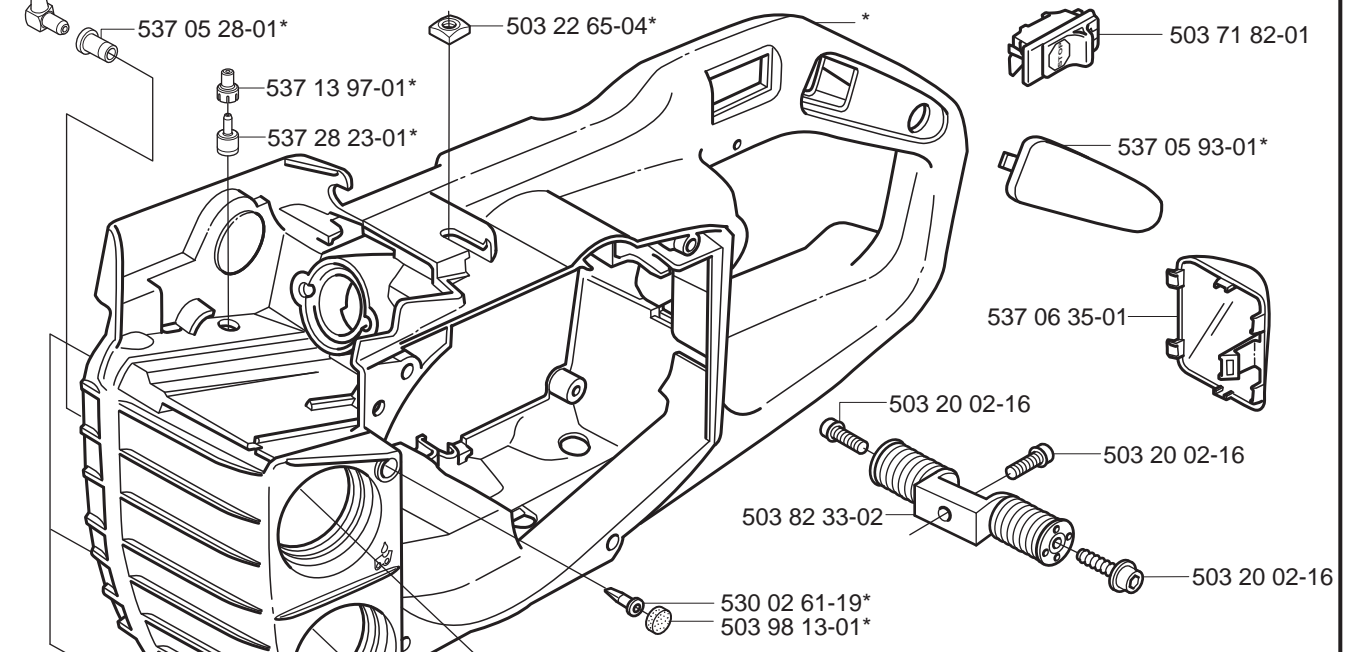
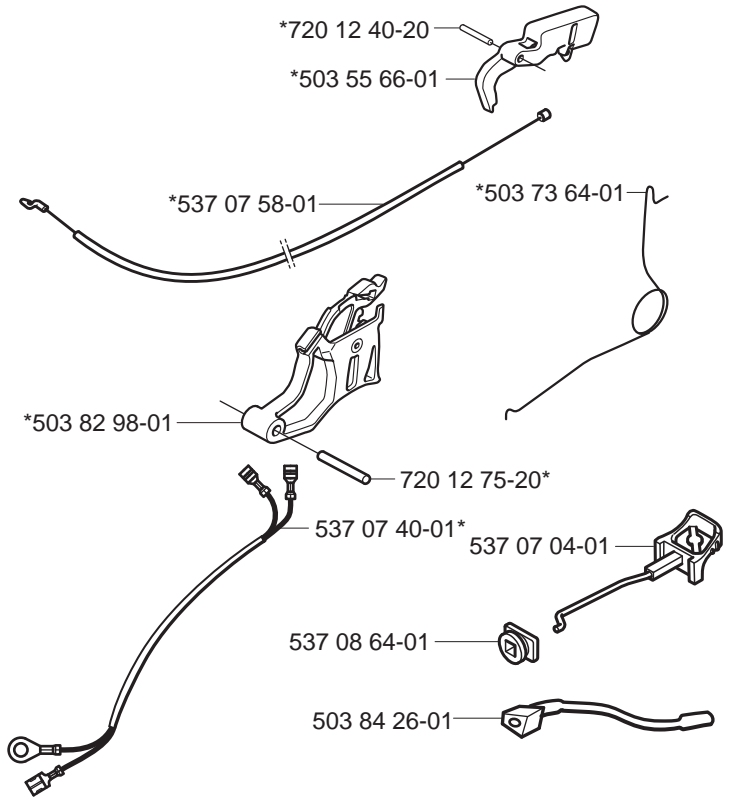


M



N

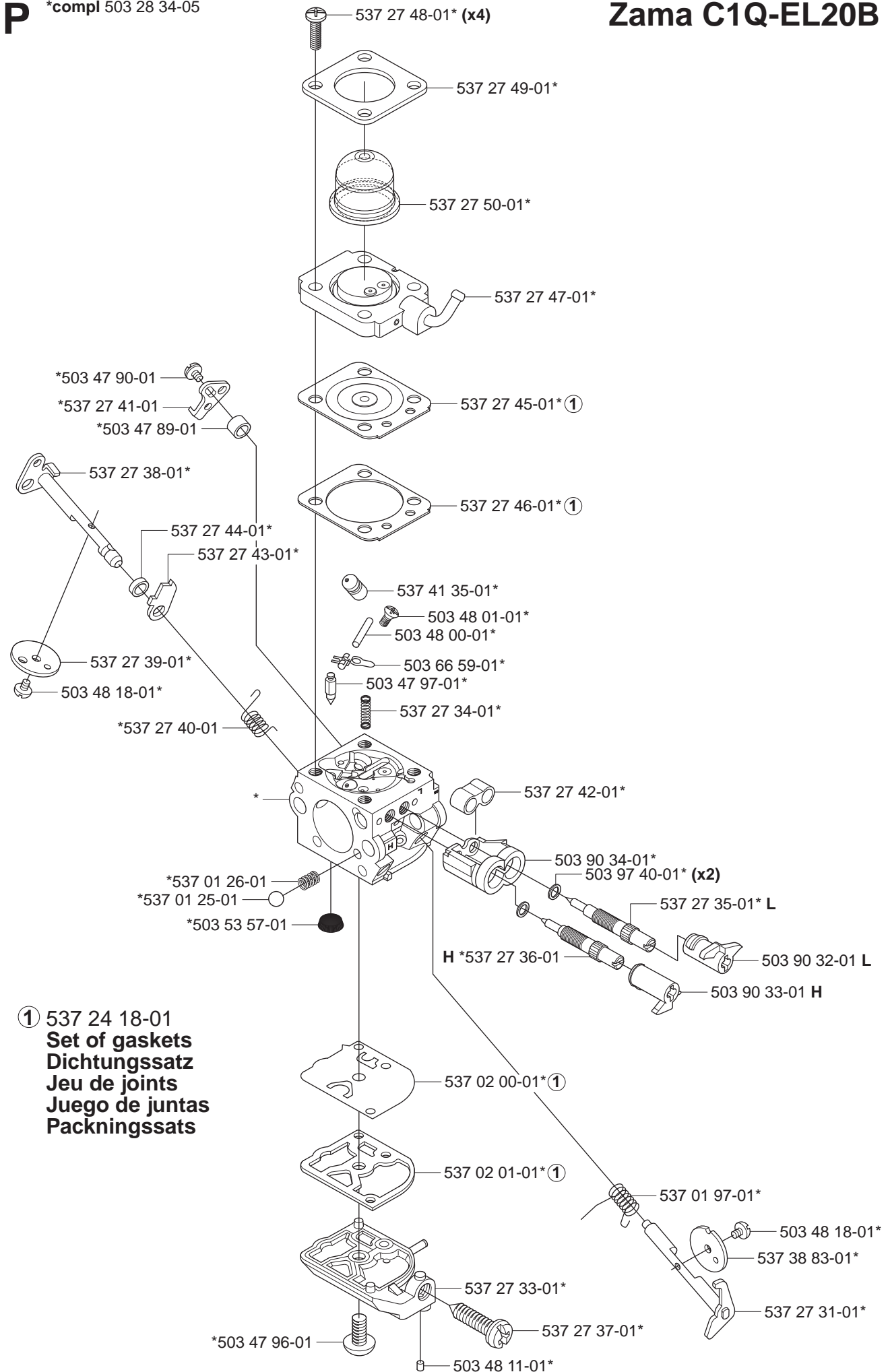
*compl 537 08 89-03



P

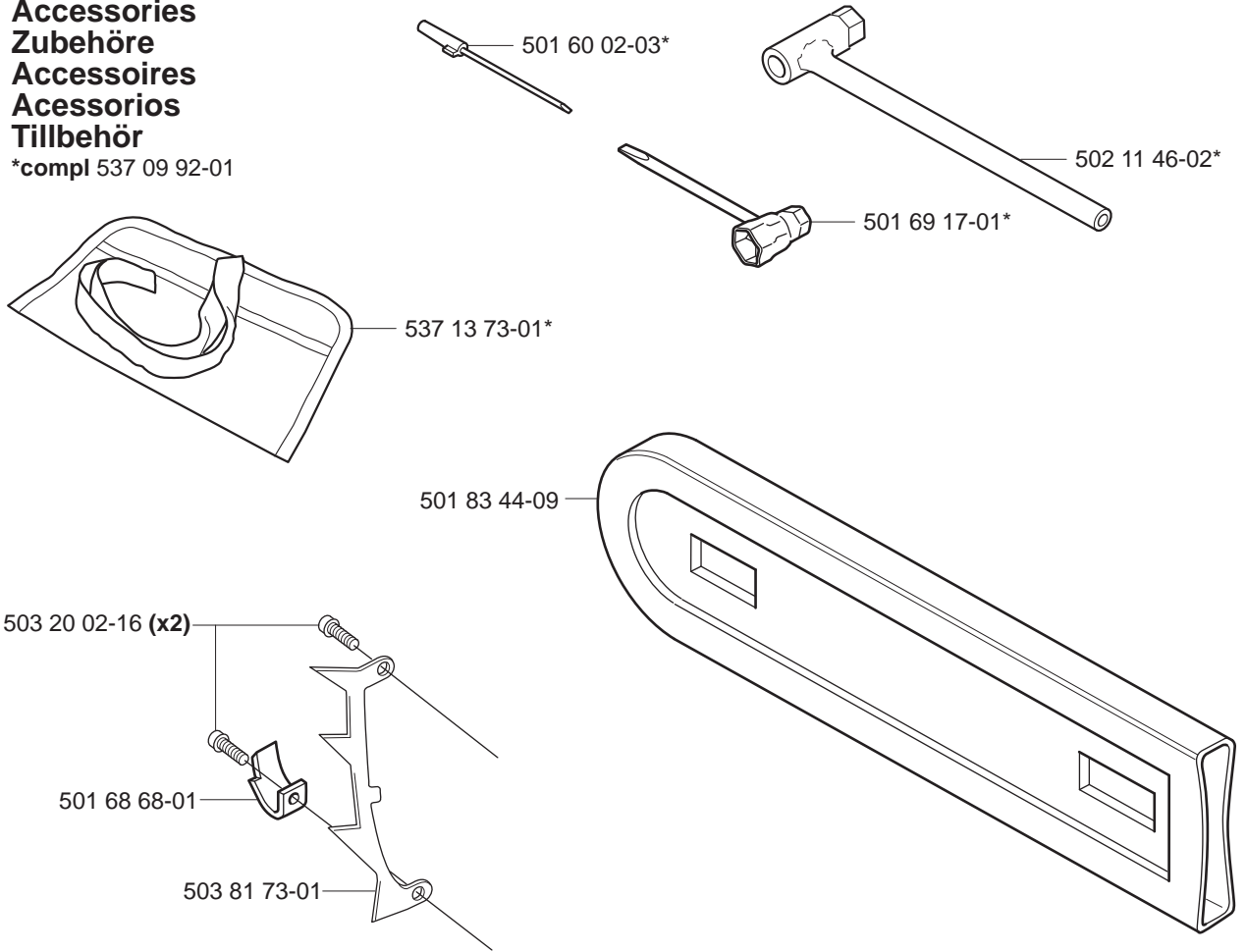
*compl 503 28 34-05

Zama C1Q-EL20B

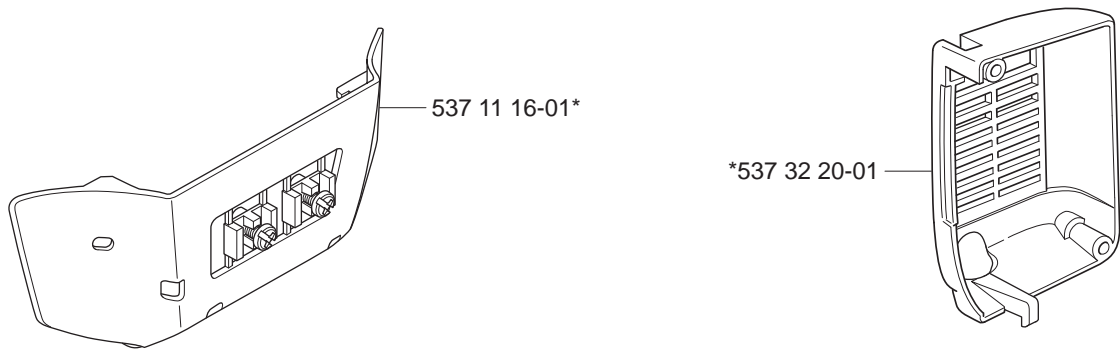


Q Accessories
Zubehöre
Accessoires
Acessorios
Tillbehör

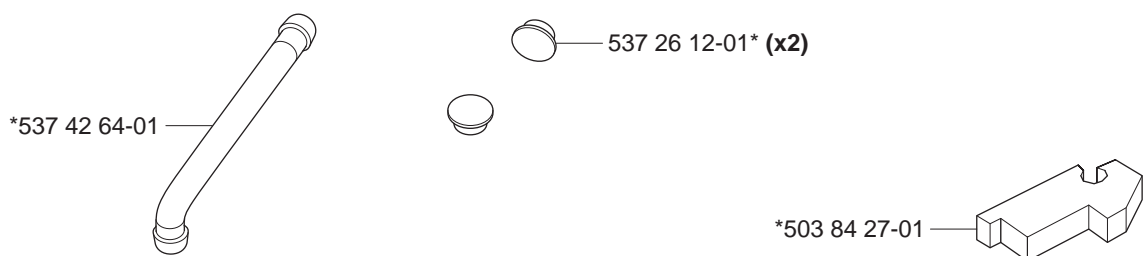
*compl 537 09 92-01



*compl 537 11 41-01



*compl 537 43 18-01



RECOMMENDED PARTS, ACCESSORIES, LUBRICANTS

336 CHAINSAW

	<u>Item</u>	<u>Part Number</u>	<u>Description</u>
Normal Maintenance Parts	Air Filter	537 07 61-01	
	Spark Plug	503 23 51-11	Clamshell Version 531 30 06-88
	Muffler Cover	537 05 54-01	
	Spark Plug Cover	537 06 35-01	
	Fuel Filter	503 44 32-01	
	Ignition Module	537 16 21-04	
	Starter Housing Assy.	503 79 25-02	
	Switch On/Off	503 71 82-01	
	Front Handle	537 07 25-01	
	Chain Brake	503 79 91-04	
	Fuel Cap	537 21 52-04	Clamshell Version 531 30 03-56
	Oil Cap	537 21 52-02	
	Bar Nut	503 22 00-01	
	<u>Item</u>	<u>Part Number</u>	<u>Description</u>
Chainsaw Accessories	Bar	508 92 61-66	16" Pixel Bar (.325"),(.050"), <i>Clamshell Version: 531 30 04-36</i>
	Chain	501 84 06-66	H30-66, 16" Chain (.325").(.050"), <i>Clamshell Version: 531 30 04-37</i>
	Carrying Case	100 00 01-07	Powerbox Carrying Case with 20" Bar Protector
	Srench	531 30 03-85	Standard combination bar nut wrench, spark plug wrench, and screwdriver
	File Kit	505 69 81-90	File Kit includes: File handle, Combination file guide, 2 round files, and 1 flat file. Use with H30 chain.
	<u>Item</u>	<u>Part Number</u>	<u>Description</u>
Lubricants	Bar and Chain	610 00 00-14	Bar and Chain Lubricant - 1 Quart
		610 00 00-34	Bar and Chain Lubricant - 1 Gallon
	2 Cycle Low Smoke Oil	610 00 00-85	2 Cycle Low Smoke Oil - 2.6 oz (1 Gallon Mix)
		610 00 00-82	2 Cycle Low Smoke Oil - 6.4 oz (2.5 Gallon Mix)
	<u>Item</u>	<u>Part Number</u>	<u>Description</u>
Protective Apparel	Protective Glasses	605 00 04-15	Lexa- Clear lens
		605 00 04-16	Lexa- Grey lens
	Helmets	505 67 53-15	Helmet System (Husqvarna)
	Protective Gloves	531 30 02-73	Xtreme Duty Work Gloves (Medium)
		531 30 02-74	Xtreme Duty Work Gloves (Large)
		531 30 02-75	Xtreme Duty Work Gloves (X-Large)
	Chaps	605 00 00-13	Pro Forest Apron Chaps (Navy Blue)
605 00 00-14		Pro Forest Apron Chaps (Orange)	

336

Part Number	Description	Square		Part Number	Description	Square	
501 45 27-02	NUT	L		503 90 98-02	WASHER	G	
501 45 41-01	PAWL	L		503 92 42-01	COVER	G	
501 45 43-01	BOLT	L		503 93 03-03	MUFFLER	F	
501 48 54-02	SPARK PLUG CONN. KIT	G		503 96 75-01	OIL PLUMMET	N	
501 60 02-03	SCREWDRIVER	Q		503 97 40-01	WASHER	P	
501 62 33-01	GUIDE BAR LOCATING PIN	L		503 97 81-02	WASHER	L	
501 68 68-01	CHAIN CATCHER	Q		503 97 82-01	SPRING	L	
501 69 17-01	COMBI TOOL	Q		503 98 13-01	PLUG	N	
501 76 31-01	RECOIL SPRING	H		503 98 62-01	GASKET	L	
501 81 92-01	SCREW	L		503 98 74-01	DECAL	N	
501 82 25-01	FUEL INLET-FITTING	N		503 98 94-02	KIT	L	
501 83 44-09	BAR PROT/13-16"	Q		503 99 49-72	PISTON	J	
501 87 53-01	KNEE-JOINT	A		504 34 00-04	NIPPLE	J	
502 11 46-02	COMBI WRENCH	Q		504 34 00-04	NIPPLE	J	
502 20 65-03	SCREW	C		505 30 51-25	STARTER ROPE	H	
502 20 83-01	KNOB	C		530 02 61-19	VALVE-CHECK (DUCKBILL)	N	
503 14 51-01	CLUTCH SPRING	B		537 01 25-01	BALL	P	
503 18 49-01	SPRING	L		537 01 26-01	SPRING	P	
503 20 02-16	SCREW	F,L,N,Q		537 01 97-01	SPRING THROTTLE	P	
503 20 02-25	SCREW	L		537 02 00-01	PUMP DIAPHRAGM	P	
503 20 02-40	SCREW	L		537 02 01-01	GASKET	P	
503 20 25-16	SCREW	G		537 04 24-07	HOSE	N	
503 20 32-16	SCREW	D		537 04 61-01	NIPPLE	L	
503 21 28-10	SCREW	A		537 05 11-01	CLAMP	N	
503 21 57-16	SCREW	M		537 05 28-01	SLEEVE	N	
503 21 58-25	SCREW	E,H		537 05 54-01	MUFFLER COVER	E	
503 21 75-50	SCREW	D		537 05 68-01	SCREW	L	
503 21 77-16	SCREW	H		537 05 93-01	INSERT	N	
503 22 00-01	NUT M8 FLANGE	A		537 06 35-01	SPARK PLUG COVER	N	
503 22 10-11	NUT M8X1	G		537 07 04-01	CHOLE CONTROL	N	
503 22 65-04	NUT	N		537 07 25-01	HANDLE	M	
503 23 00-16	WASHER 5.1X8.5	L		537 07 40-01	CABLE ASSY	N	
503 23 51-08	SPARK PLUG RCJ7Y	J		537 07 58-01	THROTTLE WIRE	N	
503 25 46-01	NEEDLE BEARING	B		537 07 60-02	PLATE	D	
503 26 30-17	O-RING	N		537 07 61-01	AIR FILTER	D	
503 28 34-05	CARBURETOR	D,P		537 07 61-02	AIR FILTER	D	
503 28 90-34	PISTON RING	J		537 07 91-01	CLUTCH DRUM	B	
503 41 41-01	NEEDLE BEARING	J,K		537 08 64-01	GROMMET	N	
503 44 32-01	FUEL FILTER	N		537 08 89-03	TANK	N	
503 47 89-01	SPACER	P		537 09 21-01	CYLINDER	J	
503 47 90-01	SCREW	P		537 09 28-01	SPRING	A	
503 47 96-01	SCREW	P		537 09 80-01	DECAL	N	
503 47 97-01	INLET NEEDLE	P		537 09 90-01	HAND GUARD	A	
503 48 00-01	PIN FULCRUM	P		537 09 92-01	TOOL KIT	Q	
503 48 01-01	SCREW	P		537 10 04-01	GASKET	J	
503 48 18-01	SCREW	P		537 10 65-01	CHAIN TENSIONER KIT	L	
503 52 12-04	WASHER	B		537 11 32-03	HOSE ASSY	J	
503 53 57-01	STRAINER	P		537 11 41-01	WINTER SET	Q	

503 54 39-01	STARTER HANDLE	H		537 12 68-06	VALVE DECOMPR	J	
503 55 22-01	CYLINDER PLUG	J		537 12 76-01	DECAL	N	
503 55 66-01	THROTTLE CATCH	N		537 13 59-03	COVER	C	
503 57 76-02	HOSE	N		537 13 73-01	TOLL BAG	Q	
503 57 89-01	HOLDER	N		537 13 97-01	CAP	N	
503 66 59-01	LEVER	P		537 15 77-02	PIPE	J	
503 71 02-03	PAWL	G		537 16 21-04	IGNITION MODULE	G	
503 71 40-03	CLUTCH	B		537 16 24-03	DECAL	H	
503 71 82-01	START/STOP SWITCH	N		537 16 73-01	CLAMP	J	
503 72 31-01	BUSHING	L		537 18 00-01	PROTECTIVE CAP	J	
503 73 58-01	FUEL TANK BUSHING	N		537 19 07-01	COVER	E	
503 73 64-01	SPRING	N		537 19 50-01	MUFFLER	F	
503 78 92-01	PINION	L		537 20 19-01	STARTER PULLEY	H	
503 78 92-02	PINION	L		537 21 52-02	TANK CAP	N	
503 78 92-03	OIL PUMP PINION	L		537 21 52-04	TANK CAP LIGHT GRAY	N	
503 79 05-02	RIVET	G		537 24 18-01	GASKET SET	P	
503 79 22-04	CRANKCASE	L		537 24 19-01	SEALING	D	
503 79 25-02	STARTER DEVICE	H		537 26 12-01	PLUG	Q	
503 79 91-04	CHAIN BRAKE	A		537 26 74-01	SEALING	D	
503 80 52-01	COVER	A		537 27 31-01	SHAFT	P	
503 80 83-02	PUMP PISTON	L		537 27 33-01	COVER	P	
503 80 97-02	BRAKE BAND	A		537 27 34-01	SPRING	P	
503 81 71-01	SHAFT PIVOT	A		537 27 35-01	LOW SPEED NEEDLE	P	
503 81 73-01	FELLING DOG	Q		537 27 36-01	NEEDLE HIGH SPEED	P	
503 81 81-01	SPRING	G		537 27 37-01	SCREW	P	
503 81 85-01	STARTER HOUSING	H		537 27 38-01	SHAFT	P	
503 81 93-71	CLUTCH DRUM	B		537 27 39-01	WASHER	P	
503 82 11-01	GASKET	J		537 27 40-01	SPRING	P	
503 82 17-01	SCREEN	F		537 27 41-01	ARM	P	
503 82 22-71	CLUTCH DRUM	B		537 27 42-01	SLEEVE	P	
503 82 33-02	VIBRATION ABSORBER	N		537 27 43-01	ARM	P	
503 82 98-01	THROTTLE TRIGGER	N		537 27 44-01	WASHER	P	
503 84 26-01	HOSE	N		537 27 45-01	DIAPHRAGM	P	
503 84 27-01	FOAM INSULATOR	Q		537 27 46-01	GASKET	P	
503 85 38-04	ANTI-VIBE ELEMENT	N		537 27 47-01	COVER	P	
503 85 46-01	PIN	A		537 27 48-01	SCREW	P	
503 85 51-01	PROTECTOR	A		537 27 49-01	WASHER	P	
503 86 20-01	GUIDE	A		537 27 50-01	PURGE	P	
503 86 38-01	PLATE	L		537 28 23-01	AIR CONDUCTOR	N	
503 90 09-01	GROMMET	G		720 12 33-00	PIN 3X10	A	
503 90 32-01	LIMITER CAP	P		720 12 40-20	PIN 3X25	N	
503 90 33-01	LIMITER CAP	P		720 12 75-20	PIN	N	
503 90 34-01	SLEEVE	P		724 12 87-59	SCREW	F	
503 90 83-01	SPRING	A		735 31 08-20	E-RING 4	A	
503 90 88-01	DECAL	A		735 31 10-20	C-WASHER	A	
IPL, 336, 2005-03, 115 00 69-01							