

# 371 K, 371 K EPA

**Spare parts**

**Ersatzteile**

**Pièces détachées**

**Reserve onderdelen**

**Repuestos**

**Reservdelar**

Replaces

Ersetzt

Remplace

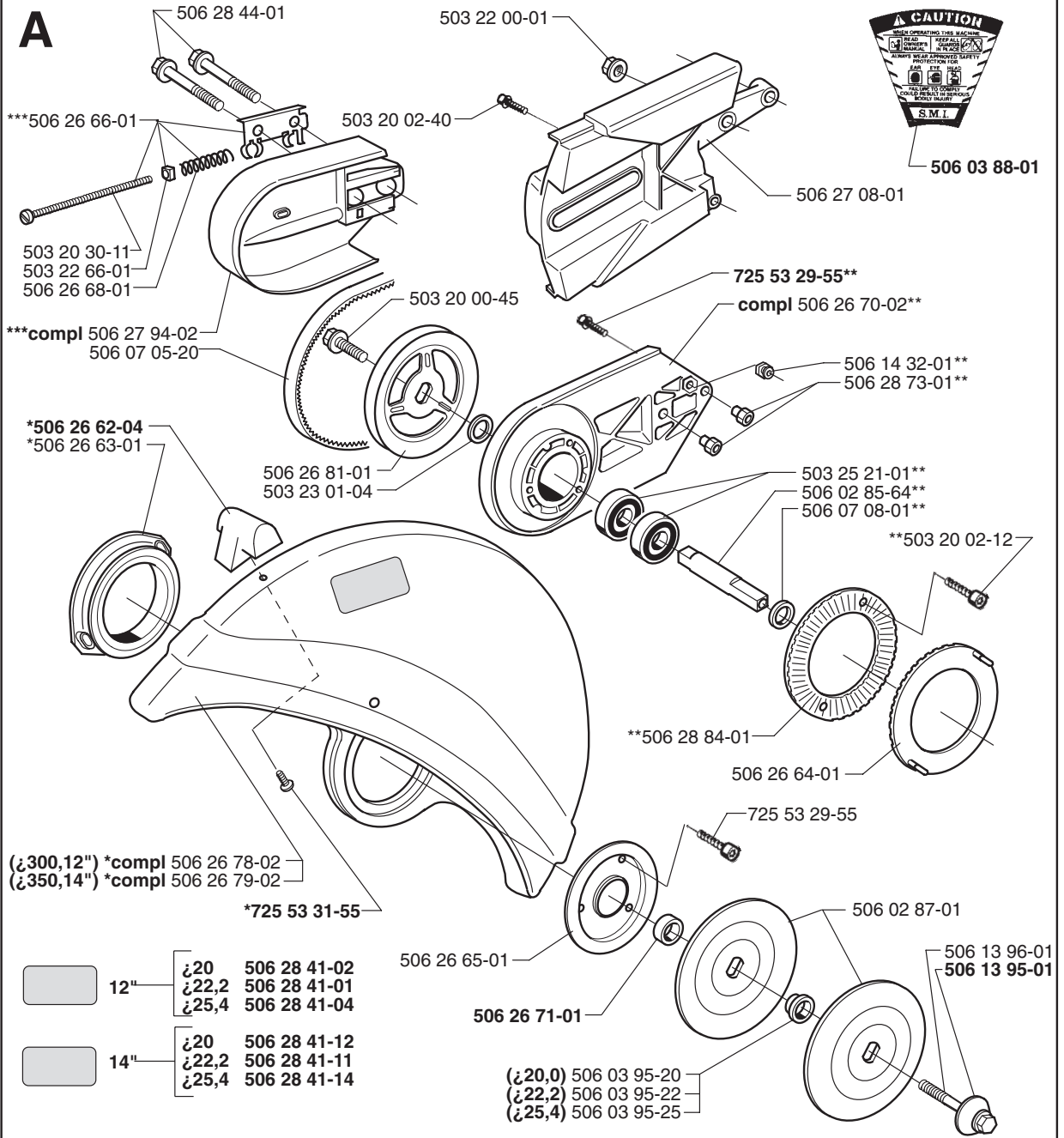
Vervangt

Reemplaza

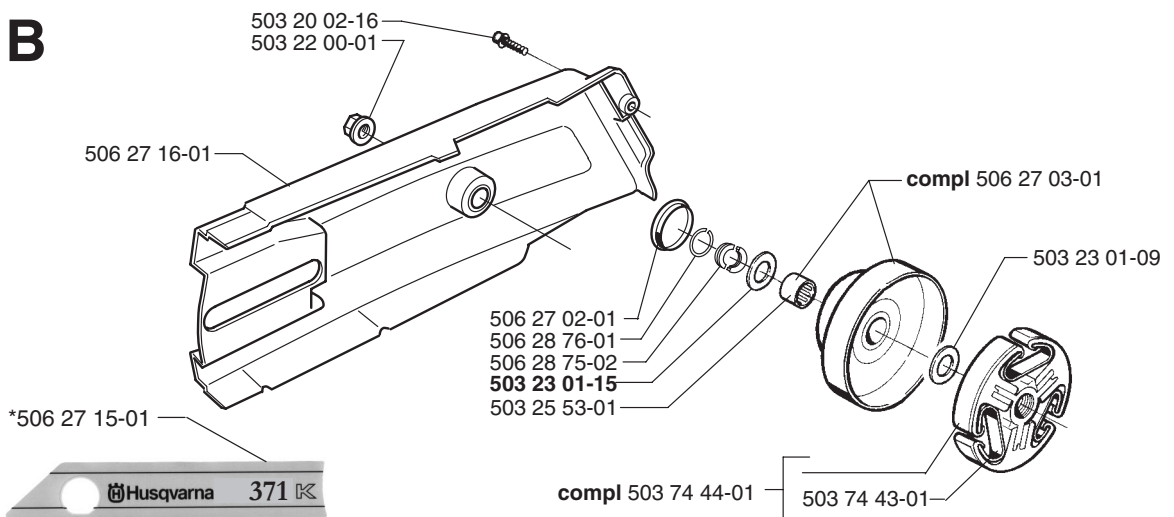
Ersätter

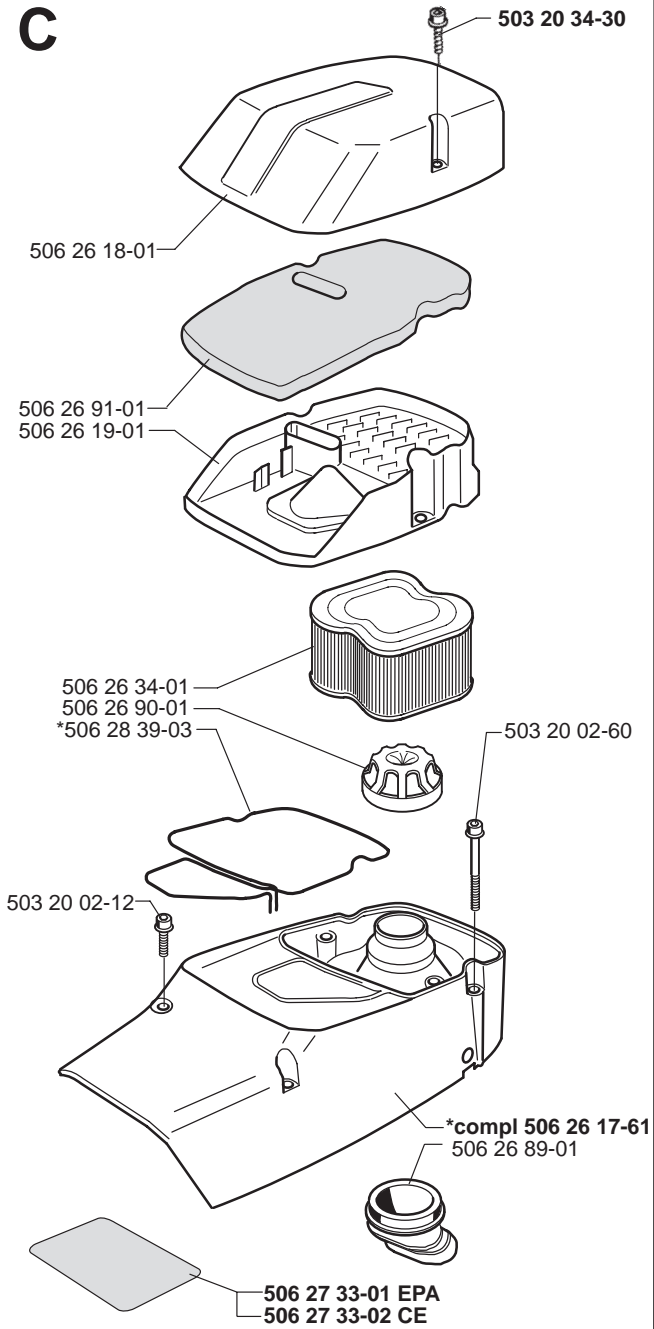
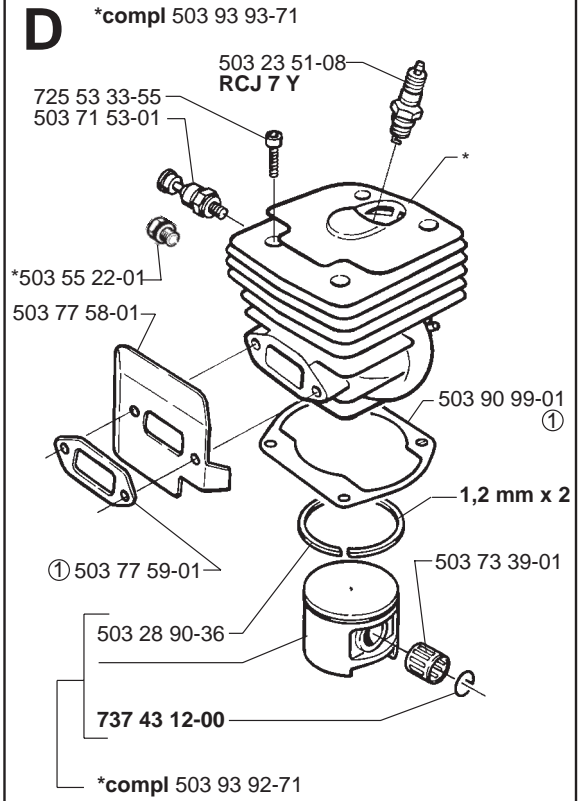
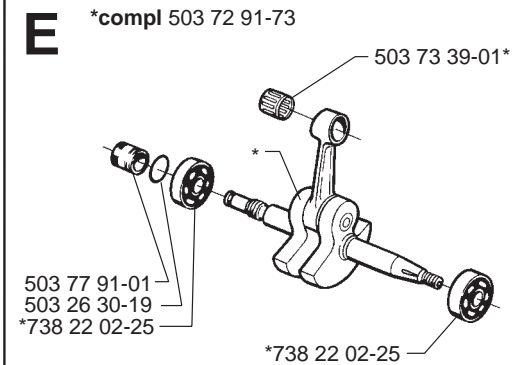
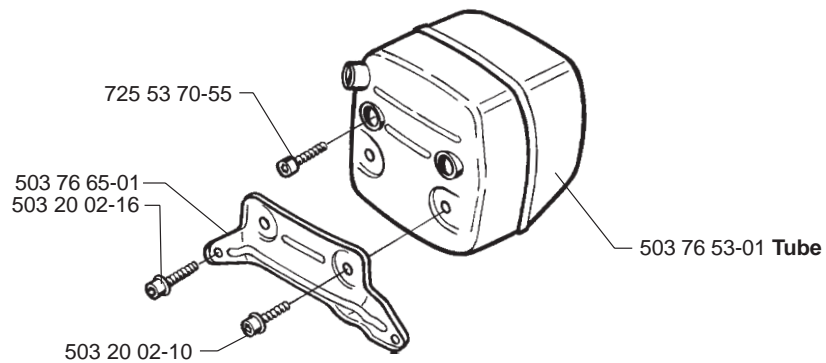
106 25 43-61

**A**

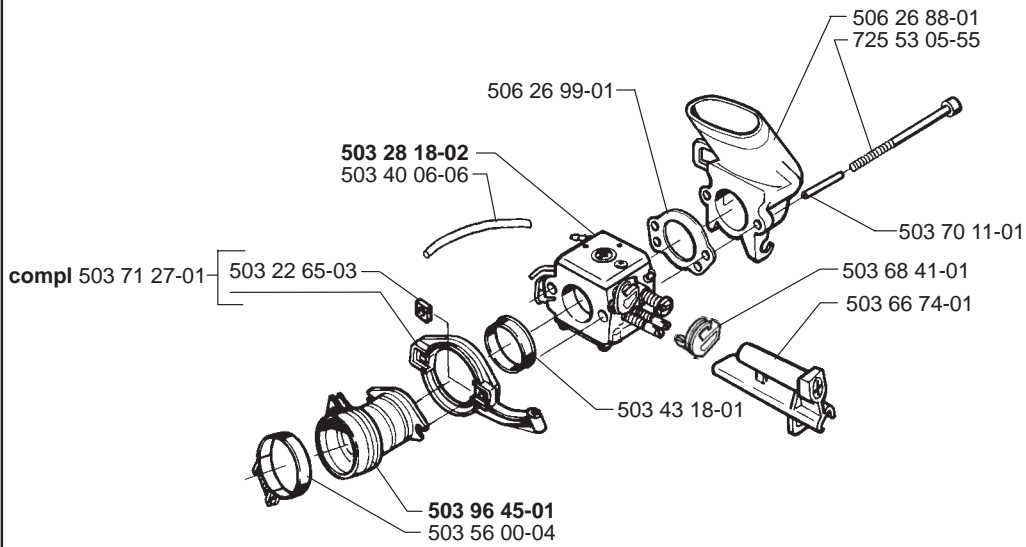


**B**



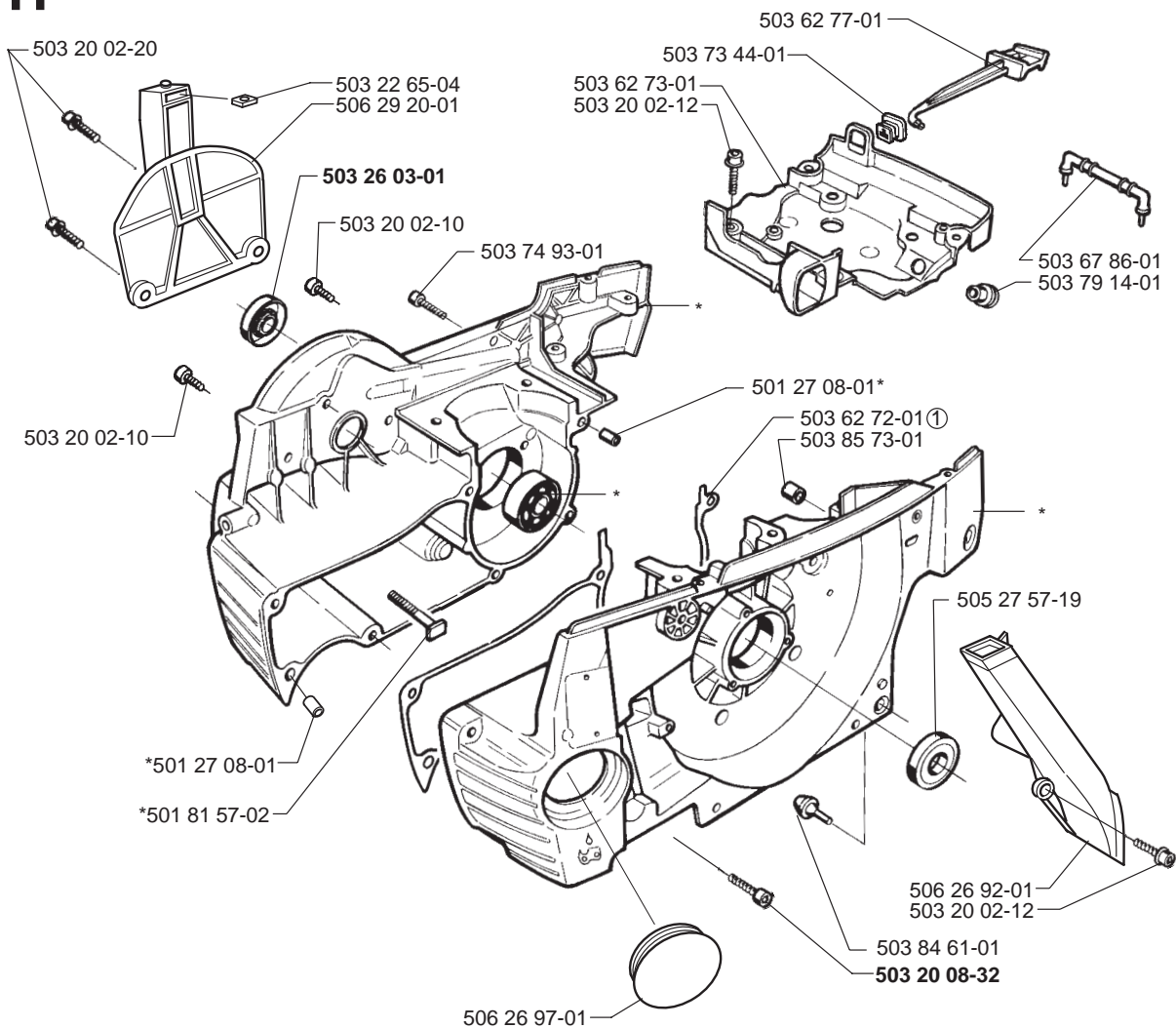
**C****D****E****F**

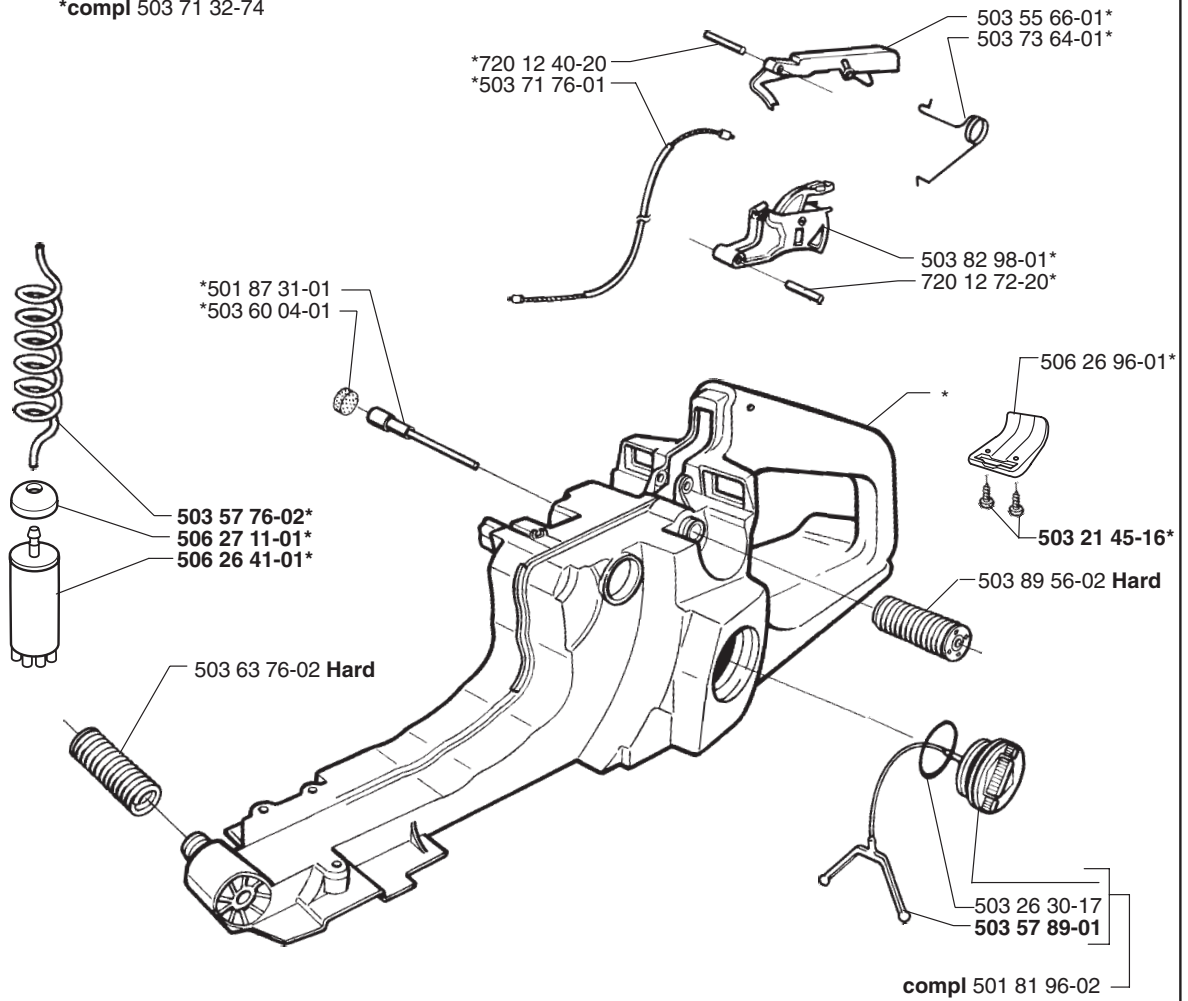
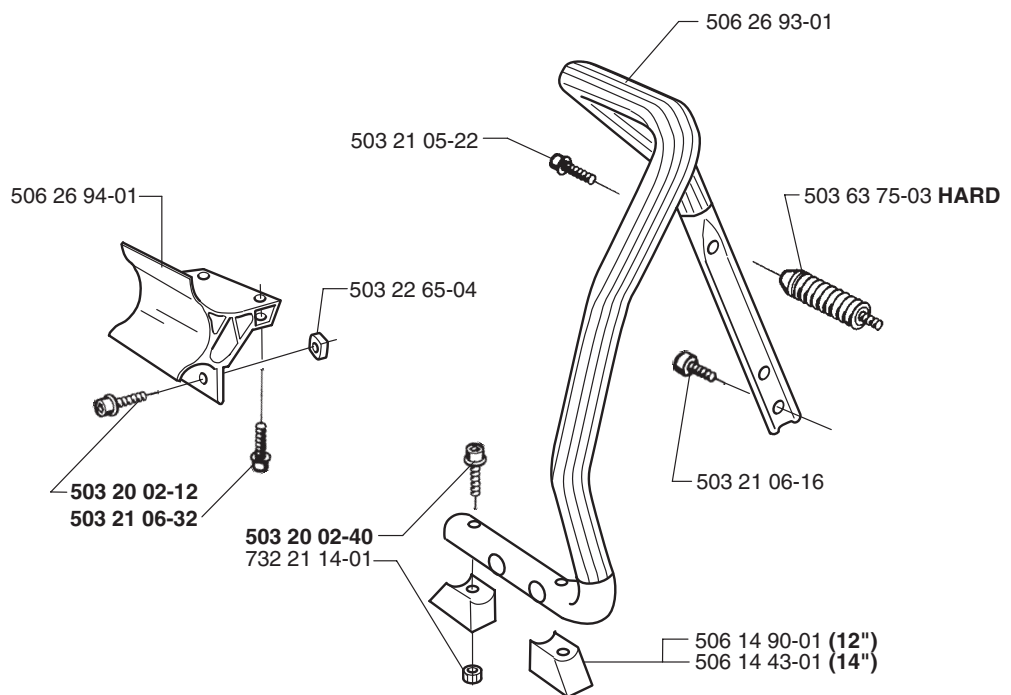
**G**



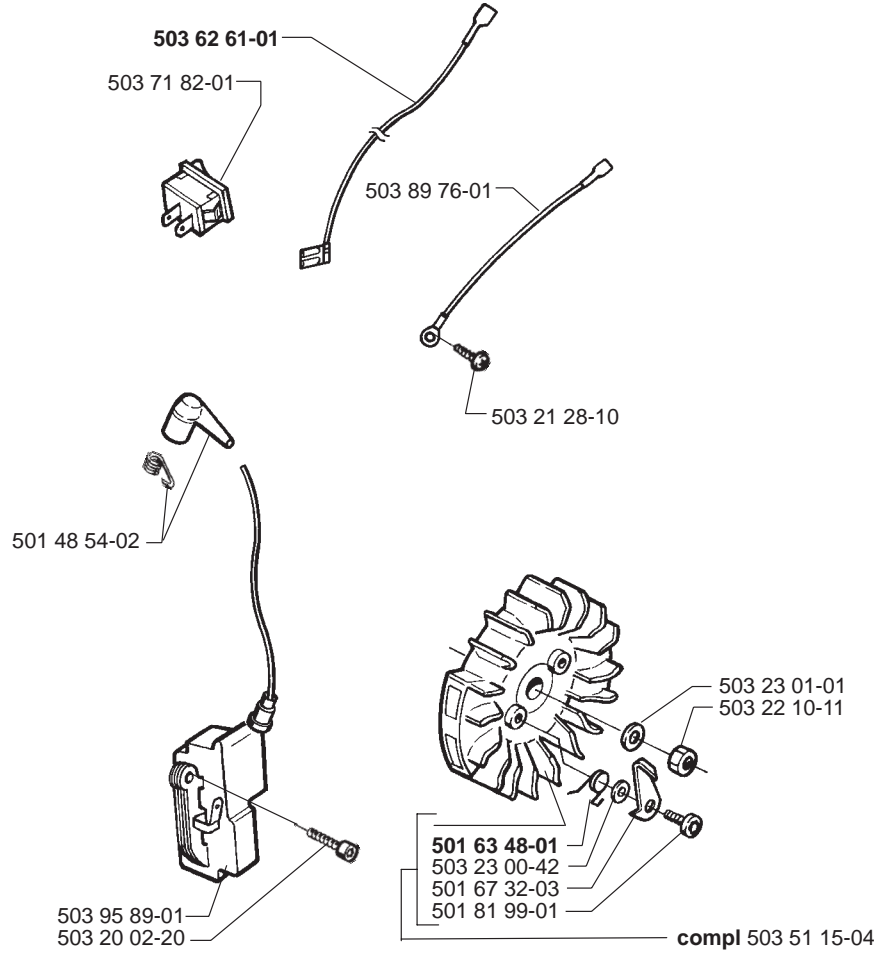
**H**

\*compl 503 62 68-74



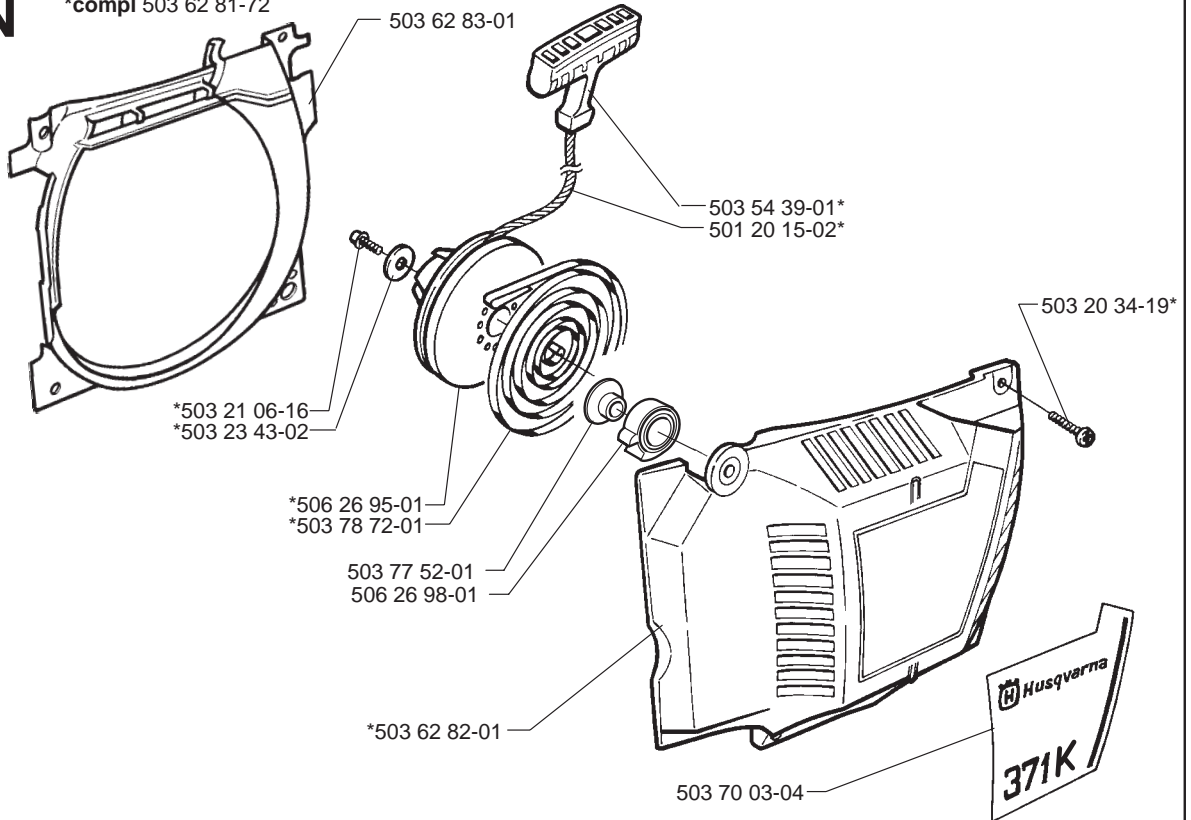
**J****\*compl 503 71 32-74****L**

# M



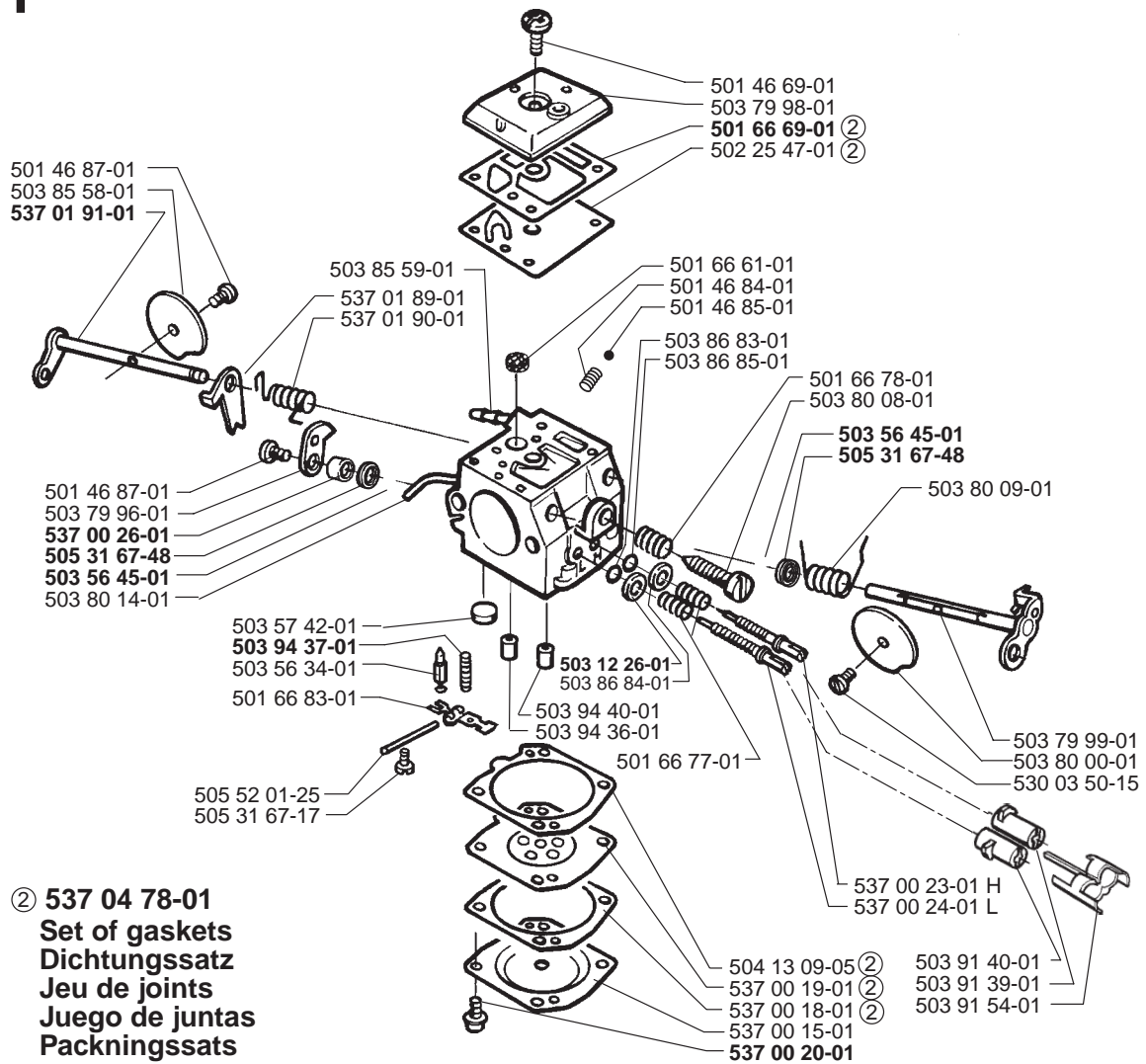
# N

**\*compl 503 62 81-72**

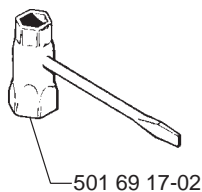


**P**

compl 503 28 18-02

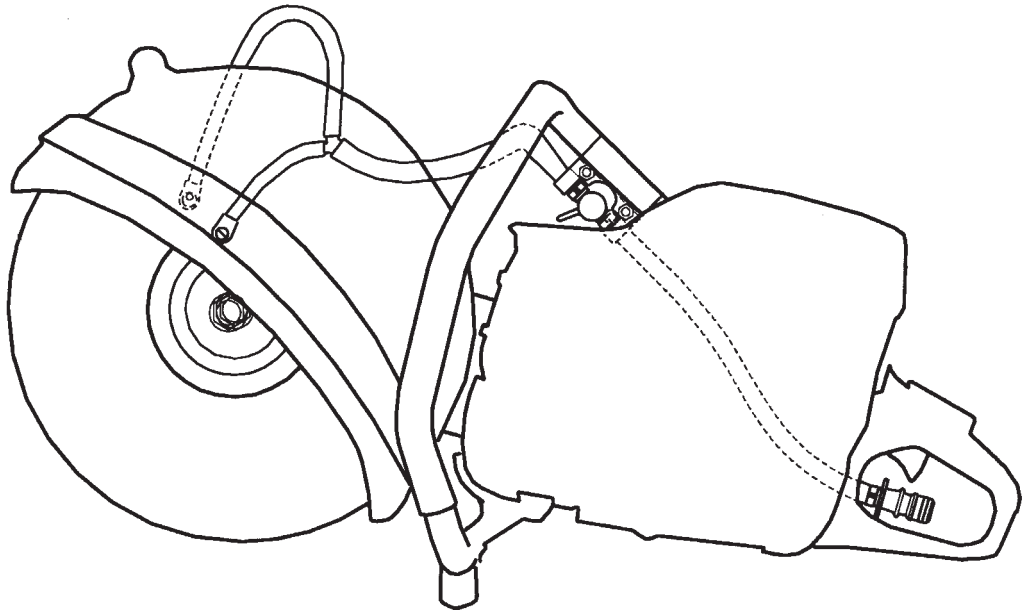
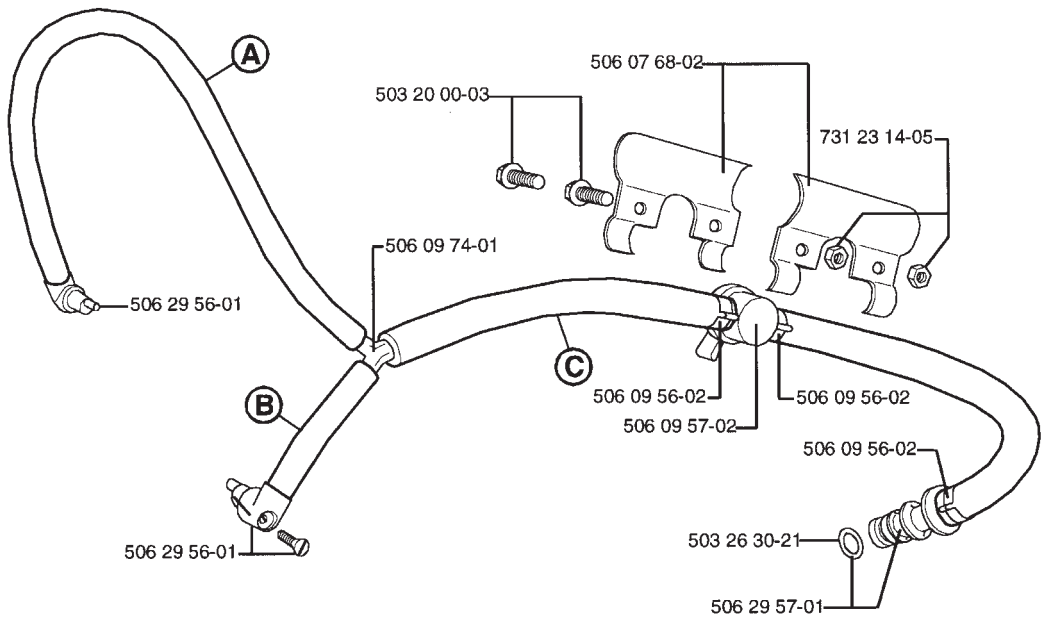
**Walbro HD-20 B****Q**

Accessories  
Zubehöre  
Accessories  
Accessorios  
Tillbehör



R

**Wet cutting kit**  
506 29 30-13



Husqvarna Power Cutter		A	B	C
268/272K	12"	260	50	370
268/272K	14"	310	50	370
371K	12"	180	50	290
371K	14"	230	50	290
3120K	14"	230	50	340
3120K	16"	290	50	340



371 K, 371 K EPA

PART NUMBER	SQUARE	NOTE	PART NUMBER	SQUARE	NOTE	PART NUMBER	SQUARE	NOTE	PART NUMBER	SQUARE	NOTE
501 20 15-02	N		503 60 04-01	J		506 02 85-64	A		537 00 15-01	P	
501 27 08-01	H		503 62 61-01	M	N	506 02 87-01	A		537 00 18-01	P	2
501 46 69-01	P		503 62 68-74	H	N	506 03 88-01	A	N	537 00 19-01	P	2
501 46 84-01	P		503 62 72-01	H	1	506 03 95-20	A		537 00 20-01	P	N
501 46 85-01	P		503 62 73-01	H		506 03 95-22	A		537 00 23-01	P	
501 46 87-01	P		503 62 77-01	H		506 03 95-25	A		537 00 24-01	P	
501 48 54-02	M		503 62 81-72	N		506 07 05-20	A		537 00 26-01	P	N
501 63 48-01	M	N	503 62 82-01	N		506 07 08-01	A		537 01 89-01	P	
501 66 61-01	P		503 62 83-01	N		506 07 68-02	R	N	537 01 90-01	P	
501 66 69-01	P	N2	503 63 75-03	L		506 09 56-02	R	N	537 01 91-01	P	N
501 66 77-01	P		503 63 76-02	J		506 09 57-02	R	N	537 04 78-01	P	
501 66 78-01	P		503 64 72-01	DH	1COMPL	506 09 74-01	R	N	N2COMPL		
501 66 83-01	P		503 66 74-01	G		506 13 95-01	A	N	720 12 40-20	J	
501 67 32-03	M		503 67 86-01	H		506 13 96-01	A		720 12 72-20	J	
501 69 17-02	Q		503 68 41-01	G		506 14 32-01	A		725 53 05-55	G	
501 81 57-02	H		503 70 03-04	N		506 14 43-01	L		725 53 29-55	A	
501 81 96-02	J		503 70 11-01	G		506 14 90-01	L		725 53 31-55	A	N
501 81 99-01	M		503 71 27-01	G		506 26 17-61	C	N	725 53 33-55	D	
501 87 31-01	J		503 71 32-74	J		506 26 18-01	C		725 53 70-55	F	
502 21 58-01	Q		503 71 53-01	D		506 26 19-01	C		731 23 14-05	R	N
502 25 47-01	P	2	503 71 76-01	J		506 26 34-01	C		732 21 14-01	L	
503 12 26-01	P	N	503 71 82-01	M		506 26 41-01	J	N	737 43 12-00	D	N
503 20 00-03	R	N	503 72 91-73	E		506 26 62-04	A	N	738 22 02-25	E	
503 20 00-45	A		503 73 39-01	DE		506 26 63-01	A				
503 20 02-10	FH		503 73 44-01	H		506 26 64-01	A				
503 20 02-12	ACHL		503 73 64-01	J		506 26 65-01	A				
503 20 02-16	BF		503 74 43-01	B		506 26 66-01	A				
503 20 02-20	HM		503 74 44-01	B		506 26 68-01	A				
503 20 02-40	AL		503 74 93-01	H		506 26 70-02	A				
503 20 02-60	C		503 76 53-01	F		506 26 71-01	A	N			
503 20 08-32	H	N	503 76 65-01	F		506 26 78-02	A				
503 20 30-11	A		503 77 52-01	N		506 26 79-02	A				
503 20 34-19	N		503 77 58-01	D		506 26 81-01	A				
503 20 34-30	C	N	503 77 59-01	D	1	506 26 88-01	G				
503 21 05-22	L		503 77 91-01	E		506 26 89-01	C				
503 21 06-16	LN		503 78 72-01	N		506 26 90-01	C				
503 21 28-10	M		503 79 14-01	H		506 26 91-01	C				
503 21 45-16	J	N	503 79 96-01	P		506 26 92-01	H				
503 22 00-01	AB		503 79 98-01	P		506 26 93-01	L				
503 22 10-11	M		503 79 99-01	P		506 26 94-01	L				
503 22 65-03	G		503 80 00-01	P		506 26 95-01	N				
503 22 65-04	HL		503 80 08-01	P		506 26 96-01	J				
503 22 66-01	A		503 80 09-01	P		506 26 97-01	H				
503 23 00-42	M		503 80 14-01	P		506 26 98-01	N				
503 23 01-01	M		503 82 98-01	J		506 26 99-01	G				
503 23 01-04	A		503 84 61-01	H		506 27 02-01	B				
503 23 01-09	B		503 85 58-01	P		506 27 03-01	B				
503 23 01-15	B	N	503 85 59-01	P		506 27 08-01	A				
503 23 43-02	N		503 85 73-01	H		506 27 11-01	J	N			
503 23 51-08	D		503 86 83-01	P		506 27 16-01	B				
503 25 21-01	A		503 86 84-01	P		506 27 33-01	C	N			
503 25 53-01	B		503 86 85-01	P		506 27 33-02	C	N			
503 26 03-01	H	N	503 89 56-02	J		506 27 94-02	A				
503 26 30-17	J		503 89 76-01	M		506 28 39-03	C				
503 26 30-19	E		503 90 99-01	D		506 28 41-01	A	N			
503 26 30-21	R	N	503 91 39-01	P		506 28 41-02	A	N			
503 28 18-02	GP	N	503 91 40-01	P		506 28 41-04	A	N			
503 28 90-36	D		503 91 54-01	P		506 28 41-11	A	N			
503 40 06-06	G		503 93 92-71	D		506 28 41-12	A	N			
503 43 18-01	G		503 93 93-71	D		506 28 41-14	A	N			
503 51 15-04	M		503 94 36-01	P		506 28 44-01	A				
503 54 39-01	N		503 94 37-01	P	N	506 28 73-01	A				
503 55 22-01	D		503 94 40-01	P		506 28 75-02	B				
503 55 66-01	J		503 95 89-01	M		506 28 76-01	B				
503 56 00-04	G		503 96 45-01	G	N	506 28 84-01	A				
503 56 34-01	P		504 13 09-05	P	2	506 29 20-01	H				
503 56 45-01	P	N	505 27 57-19	H		506 29 30-13	R	N			
503 57 42-01	P		505 31 67-17	P		506 29 56-01	R	N			
503 57 76-02	J	N	505 31 67-48	P	N	506 29 57-01	R	N			
503 57 89-01	J	N	505 52 01-25	P		530 03 50-15	P				

1 = 503 64 72-01 Set of gaskets  
 2 = 537 04 78-01 Dichtungssatz  
 Jeu de joints  
 Juego de juntas  
 Packningssats

EPA= Environmental Protection Agency

N = New part  
 Neues teil  
 Nouvelle piece  
 Nueva pieza