



# 576 AutoTune

**Spare parts**

**Ersatzteile**

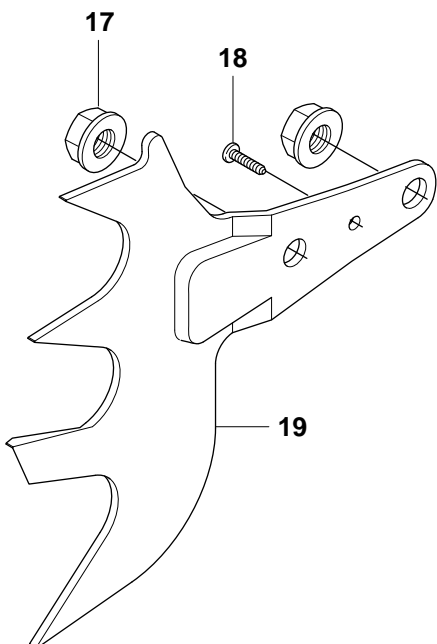
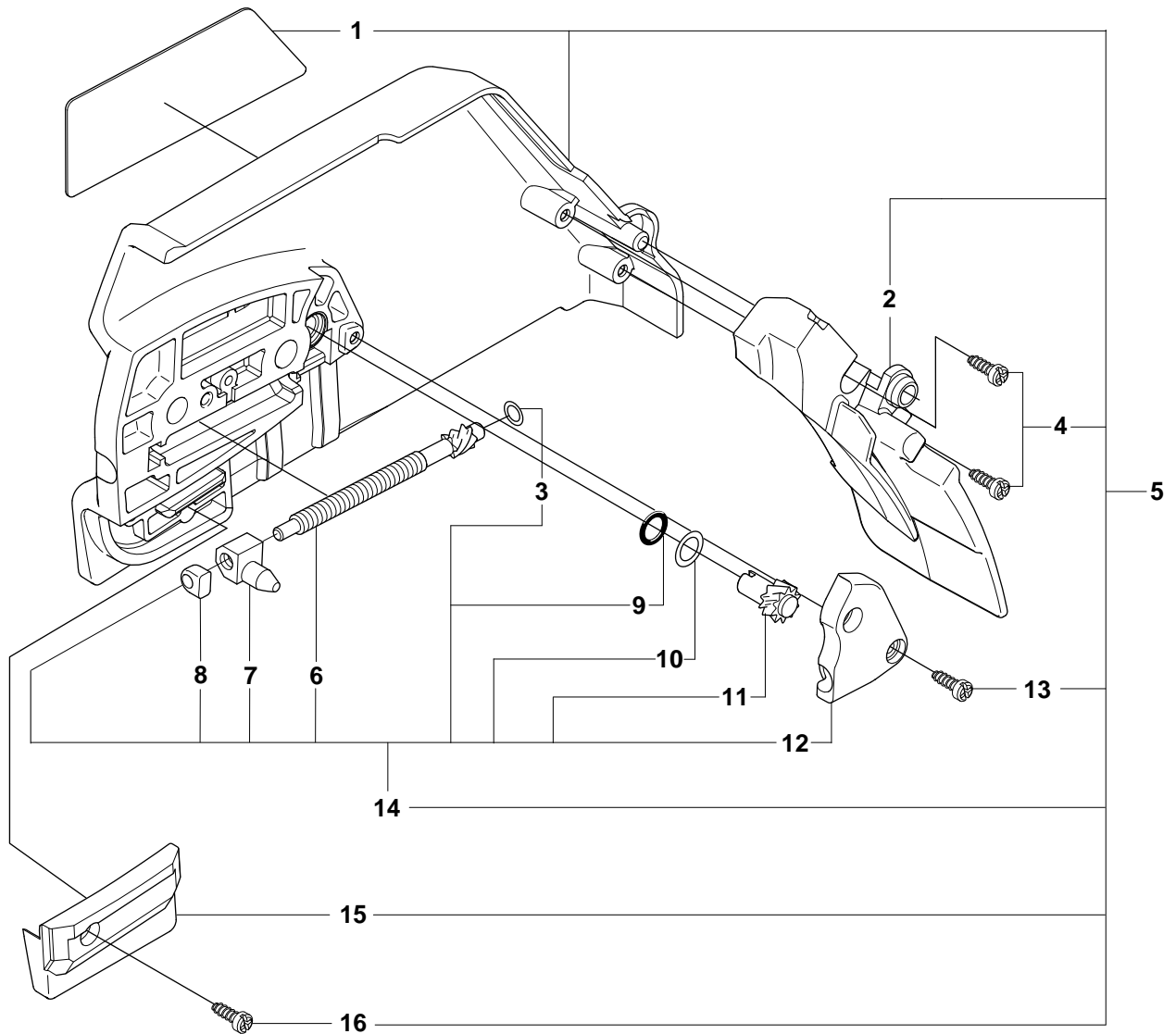
**Pièces détachées**

**Reserve onderdelen**

**Repuestos**

**Reservdelar**

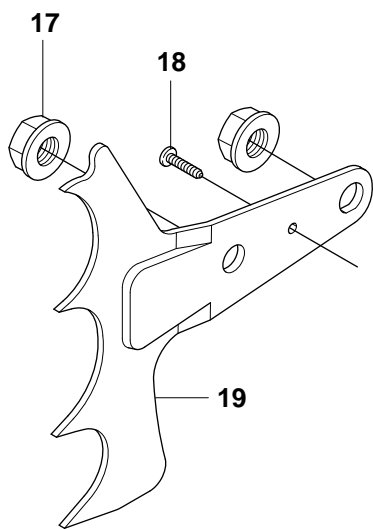
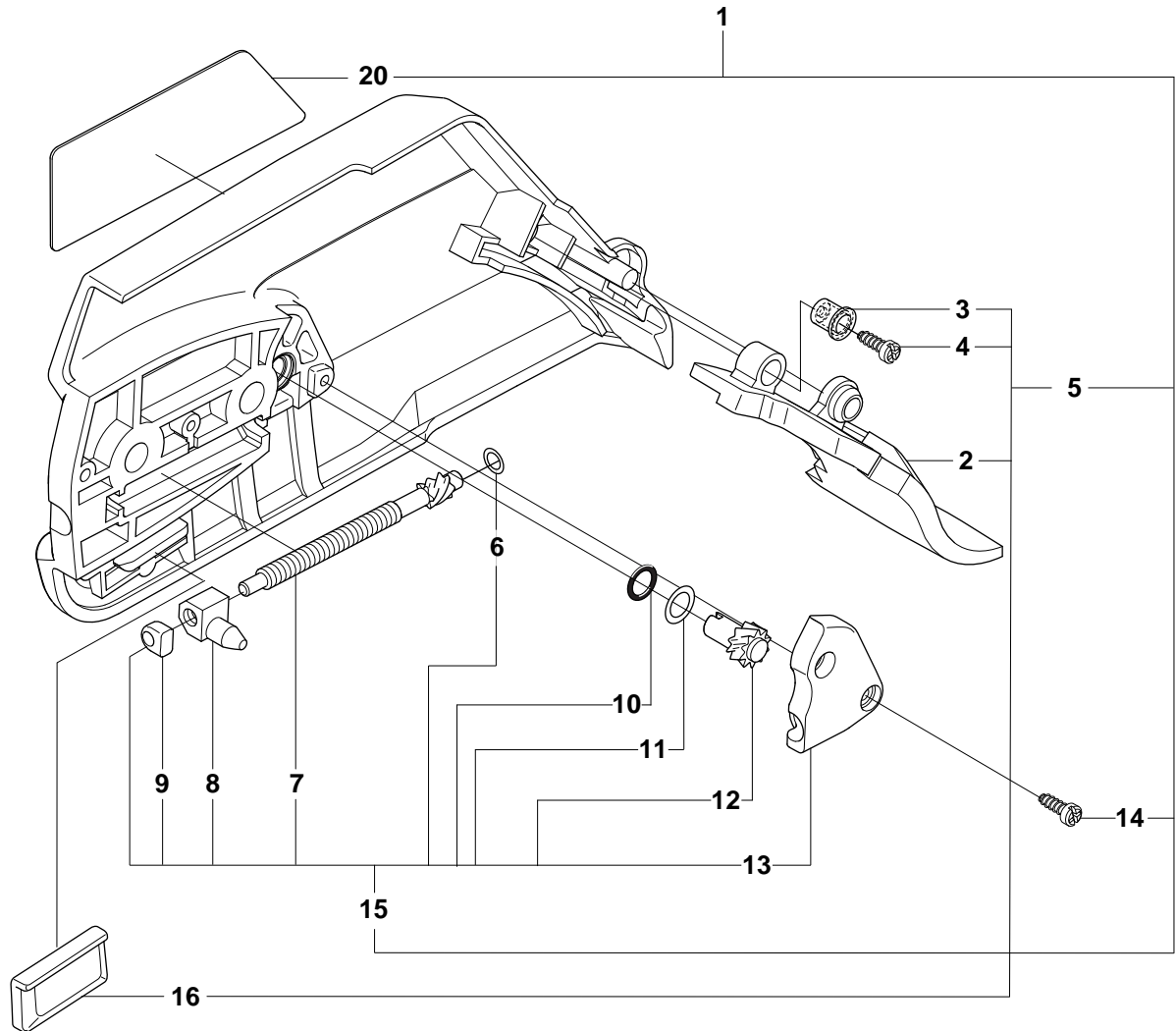
# A1 576 AutoTune CLUTCH COVER



**Page A1 576AutoTune Clutch cover**

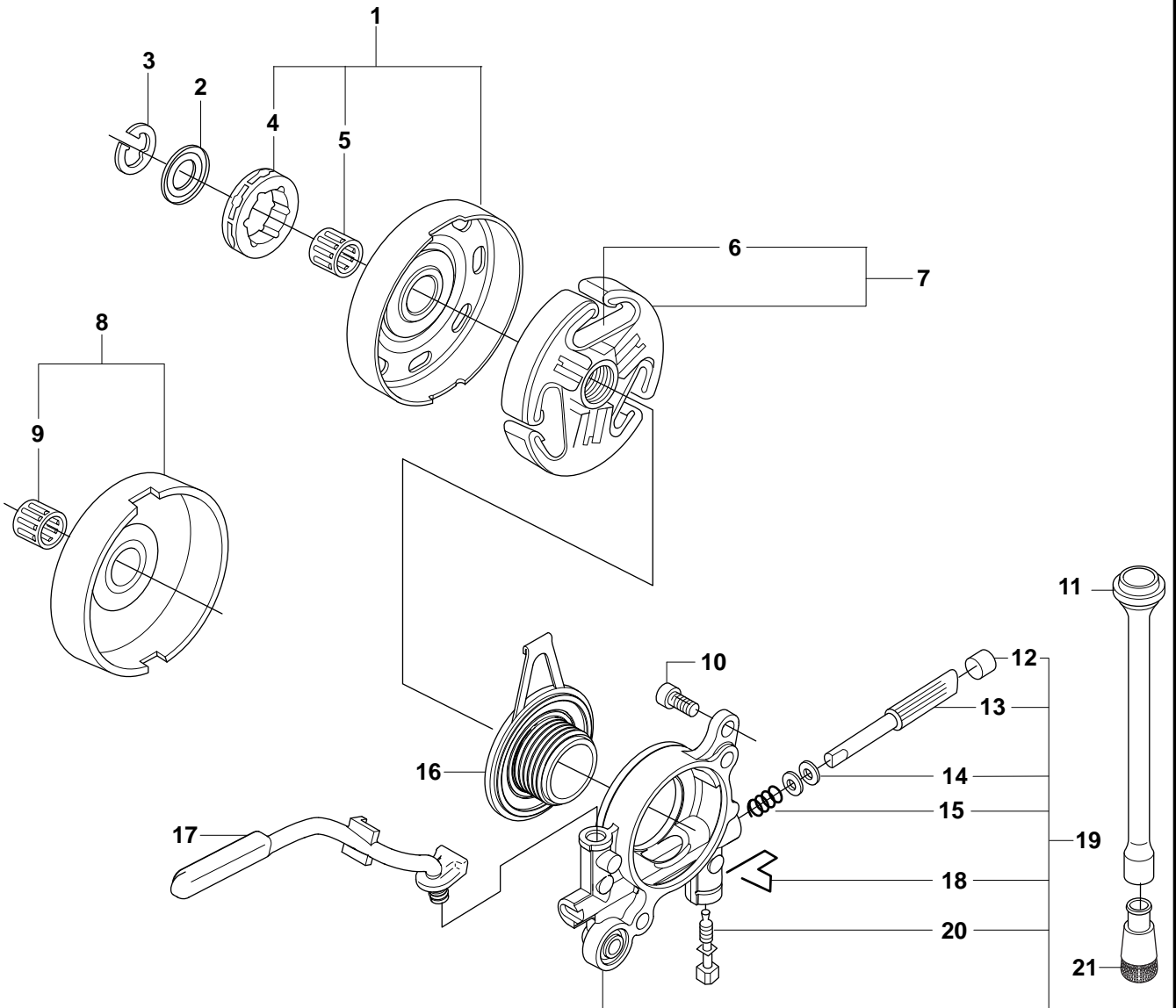
<b>Position</b>	<b>Article</b>	<b>Quantity</b>	<b>Notes</b>	<b>Kit</b>
1	537 03 38-03	1		5
2	537 17 41-01	1		5
3	503 23 00-66	1		14
4	503 21 28-10	1		5
5	537 33 10-05	1	576XPW	
6	537 07 95-02	1		5, 14
7	503 99 83-01	1		5, 14
8	537 01 74-01	1		5, 14
9	740 48 07-02	1		5, 14
10	503 23 00-63	1		5, 14
11	537 07 94-01	1		5, 14
12	537 01 68-01	1		5, 14
13	503 21 28-10	2		5
14	537 04 41-02	1		5
15	537 04 34-01	1		5
16	503 21 28-10	1		5
17	503 22 00-01	2		
18	503 21 28-10	1		
19	503 92 27-01	1		

# A2 576 AutoTune CLUTCH COVER



Position	Article	Quantity	Notes	Kit
1	537 03 35-04	1		
2	503 76 29-02	1		5, 1
3	503 89 70-01	1		5, 1
4	503 21 28-10	1		5, 1
5	537 03 35-05	1		1
6	503 23 00-66	1		15, 1
7	537 07 95-01	1		15, 1
8	503 99 83-01	1		15, 1
9	537 01 74-01	1		15, 1
10	740 48 07-02	1		15, 1
11	503 23 00-63	1		15, 1
12	537 07 94-01	1		15, 1
13	537 01 68-01	1		15, 1
14	503 21 28-10	2		1
15	537 04 41-02	1		1
16	501 51 72-01	1		5, 1
17	503 22 00-01	2		
18	503 21 28-10	1		
19	503 71 97-01	1		
20	537 03 38-03	1		1

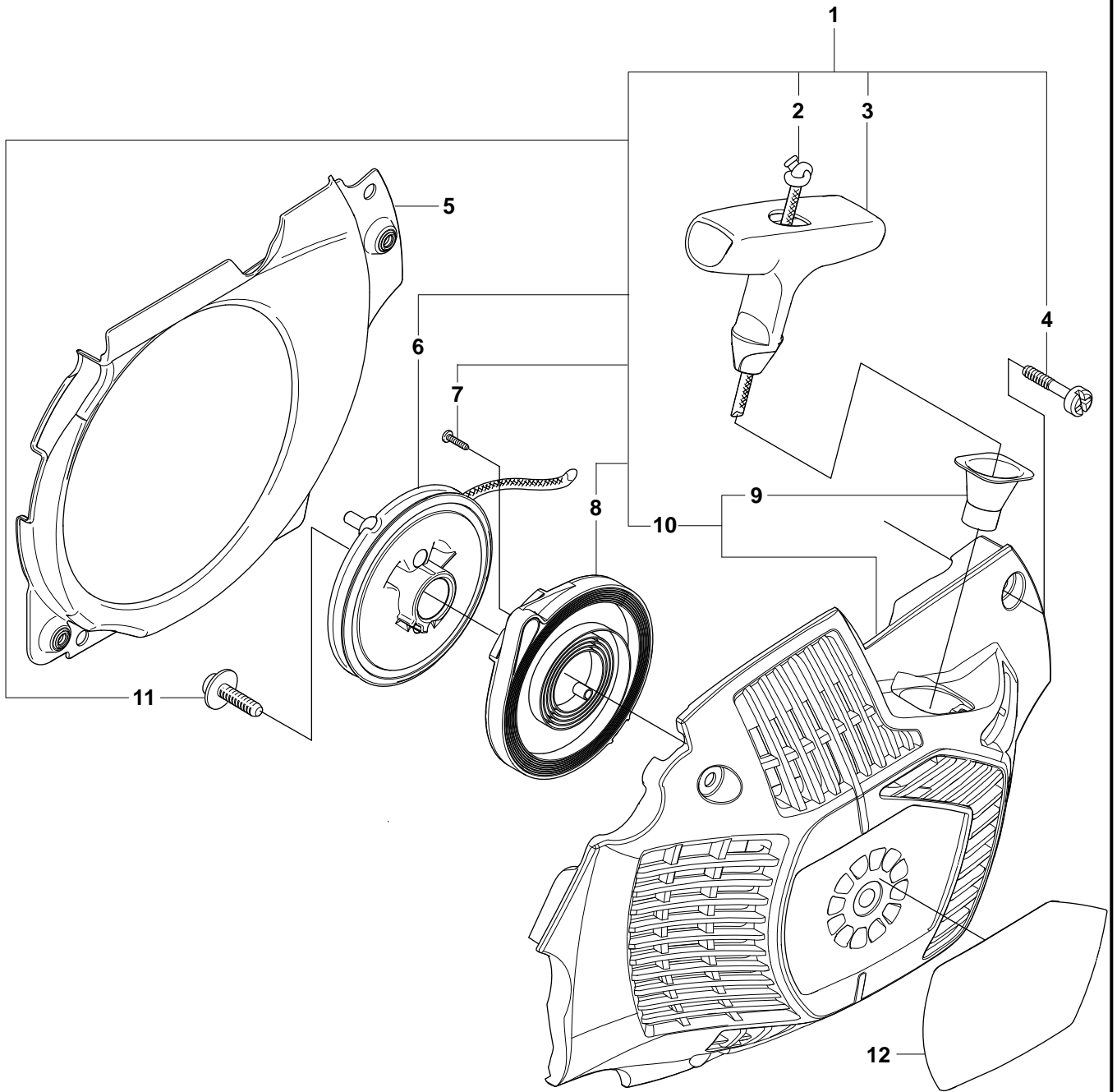
**B** 576 AutoTune  
CLUTCH & OIL PUMP



**Page B    576AutoTune    Clutch & Oil pump**

<b>Position</b>	<b>Article</b>	<b>Quantity</b>	<b>Notes</b>	<b>Kit</b>
1	502 44 04-02	1	3/8 x 7T	
1	502 44 04-03	1	3/8 x 8T	
2	503 75 24-01	1		
3	503 27 21-01	1		
4	501 59 80-02	1	3/8 x 7T	1
4	505 30 36-61	1	3/8 x 8T	1
5	503 43 20-01	1		1
6	537 36 06-01	3		7
7	503 74 44-05	1		
8	503 86 17-03	1		
9	503 43 20-01	1		8
10	503 20 53-01	2		
11	501 89 53-01	1		
12	503 62 49-01	1		19
13	503 52 15-01	1		19
14	503 23 00-04	2		19
15	501 61 58-01	1		19
16	537 20 78-04	1		
17	537 20 91-01	1		
18	503 81 30-01	1		19
19	503 52 13-03	1		
20	503 81 13-01	1		19
21	501 54 41-02	1		

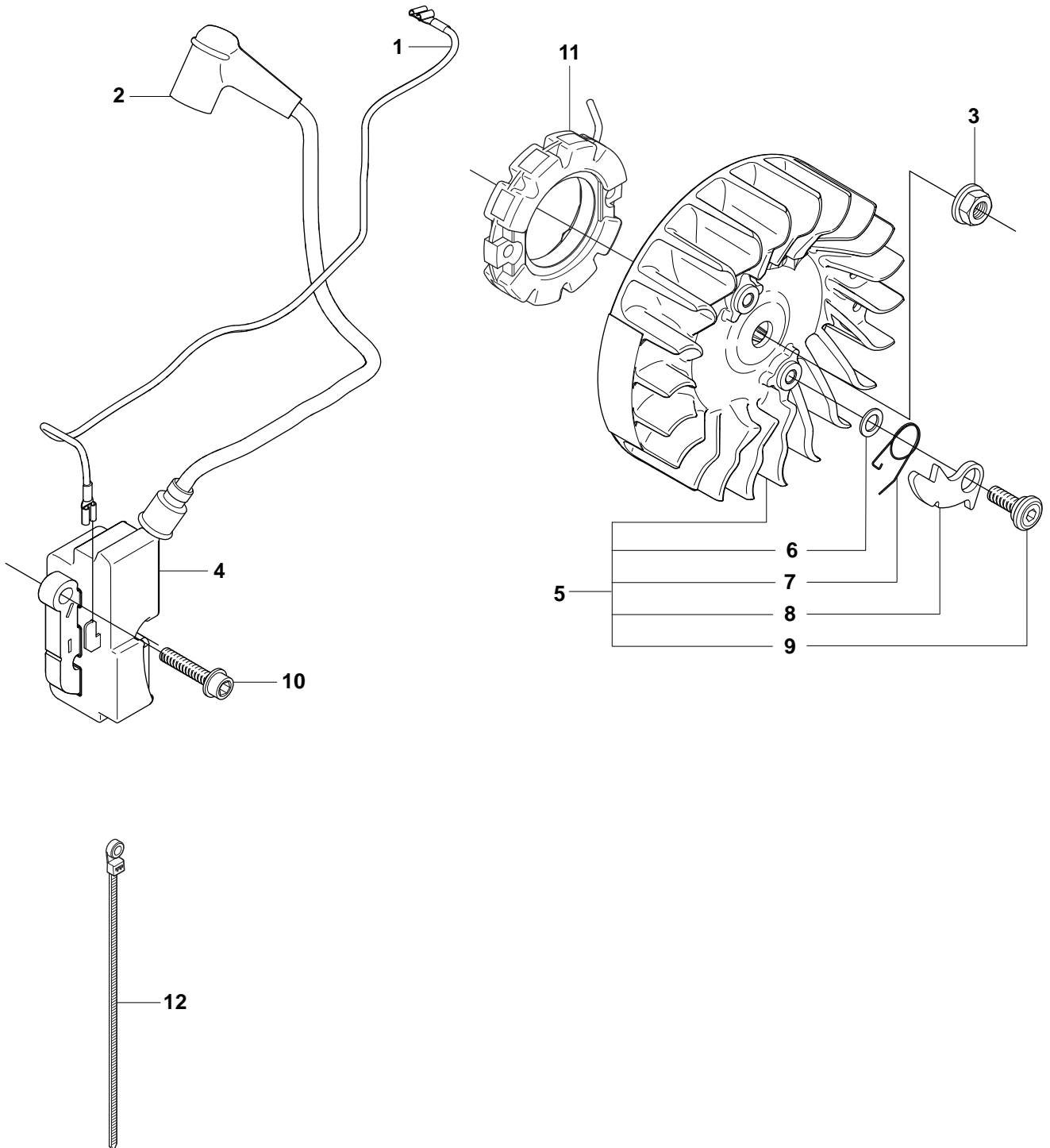
**C** 576 AutoTune  
STARTER





<b>Page C    576AutoTune    Starter</b>				
<b>Position</b>	<b>Article</b>	<b>Quantity</b>	<b>Notes</b>	<b>Kit</b>
1	504 04 55-02	1		
2	505 30 51-25	1		1
3	537 23 25-01	1		1
4	544 08 03-01	4		1
5	537 20 26-01	1		1
6	537 20 24-01	1		1
7	503 21 28-13	2		1
8	537 28 34-01	1		1
9	537 28 32-01	1		1, 10
10	504 04 54-01	1		1
11	503 20 52-16	1		1
12	504 09 41-03	1	576XP AutoTune	
12	504 09 41-04	1	576XPG AutoTune	

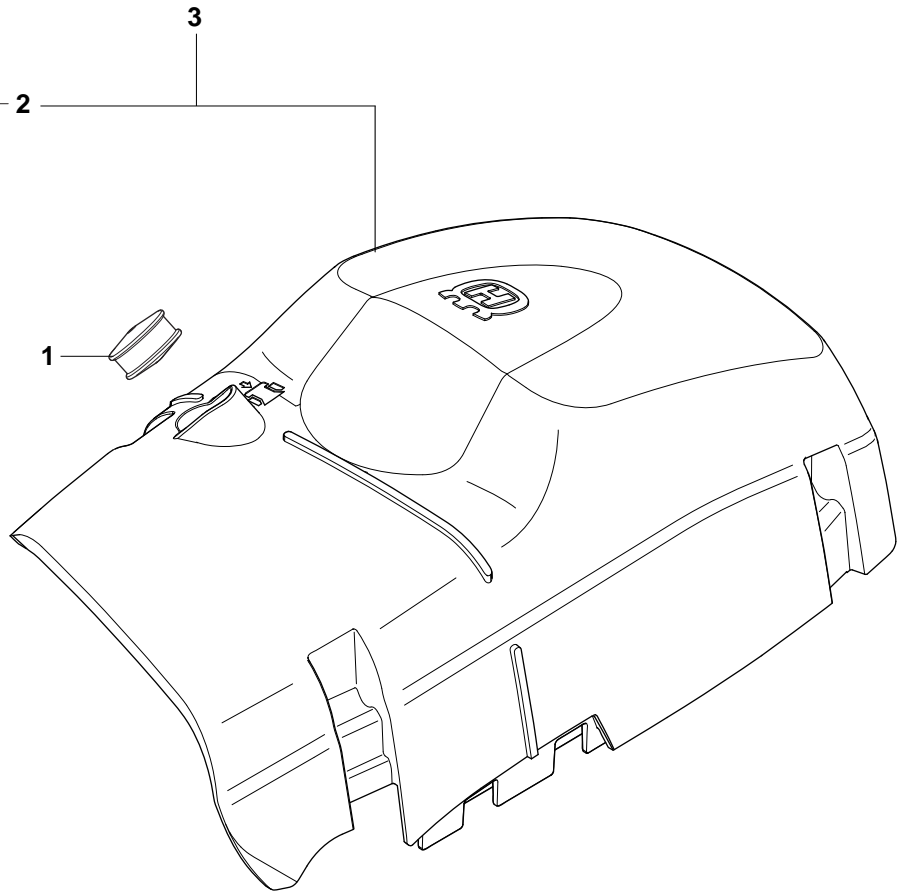
**D** 576 AutoTune  
IGNITION SYSTEM



**Page D    576AutoTune    Ignition system**

<b>Position</b>	<b>Article</b>	<b>Quantity</b>	<b>Notes</b>	<b>Kit</b>
1	537 20 86-01	1		
2	501 48 54-02	1		
3	503 22 04-01	1		
4	510 11 58-02	1	COT	
5	537 20 96-02	1		
6	503 23 00-42	2		5
7	501 67 35-01	2		5
8	501 67 32-01	2		5
9	501 81 99-01	2		5
10	503 20 02-20	2		
11	537 33 02-01	1	576XP AutoTune	
12	525 83 19-01			

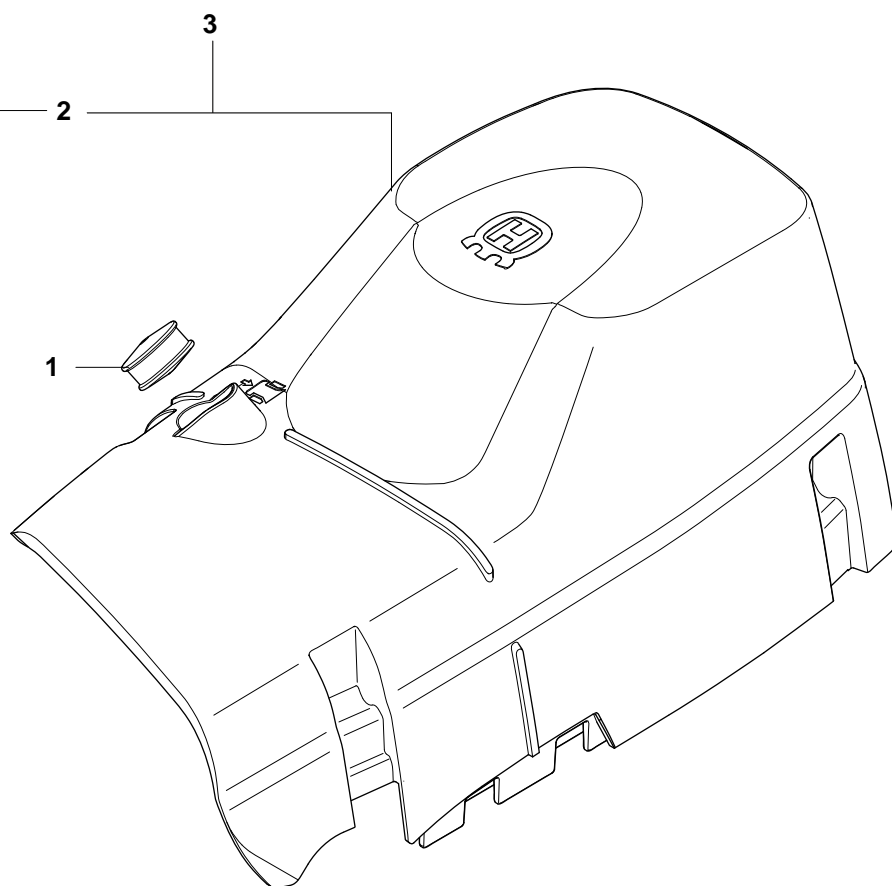
# E1 576 AutoTune CYLINDER COVER



**Page E1 576AutoTune Cylinder Cover**

<b>Position</b>	<b>Article</b>	<b>Quantity</b>	<b>Notes</b>	<b>Kit</b>
1	537 20 71-01	1		
2	503 98 74-01	1		3
3	537 21 25-03	1		
4	537 21 05-01	1		

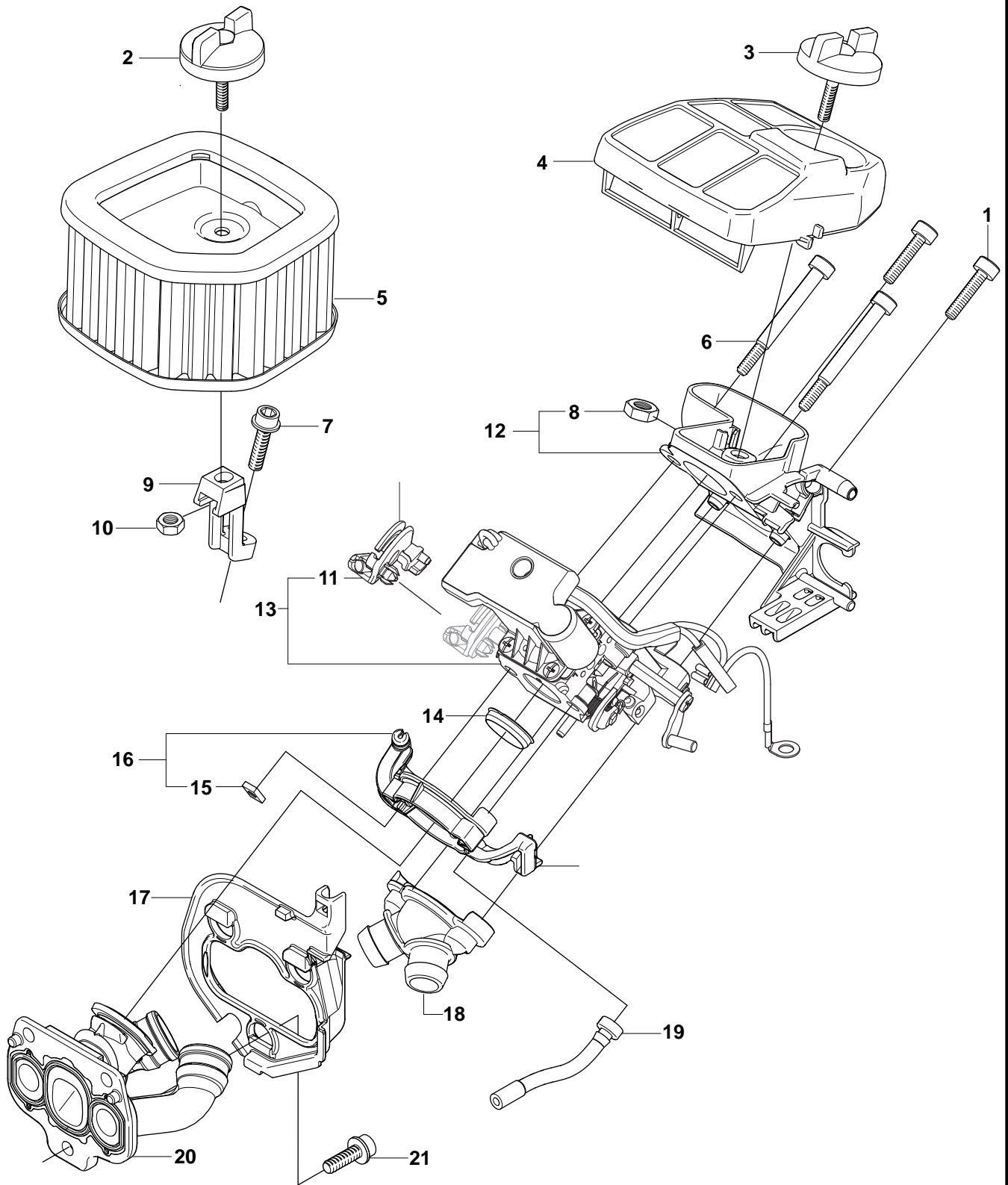
# E2 576 AutoTune CYLINDER COVER



**Page E2 576AutoTune Cylinder Cover**

<b>Position</b>	<b>Article</b>	<b>Quantity</b>	<b>Notes</b>	<b>Kit</b>
1	537 20 71-01	1		
2	503 98 74-01	1		3
3	537 21 25-04	1		
4	537 21 05-01	1		

**F** 576 AutoTune  
CARBURETOR & AIRFILTER

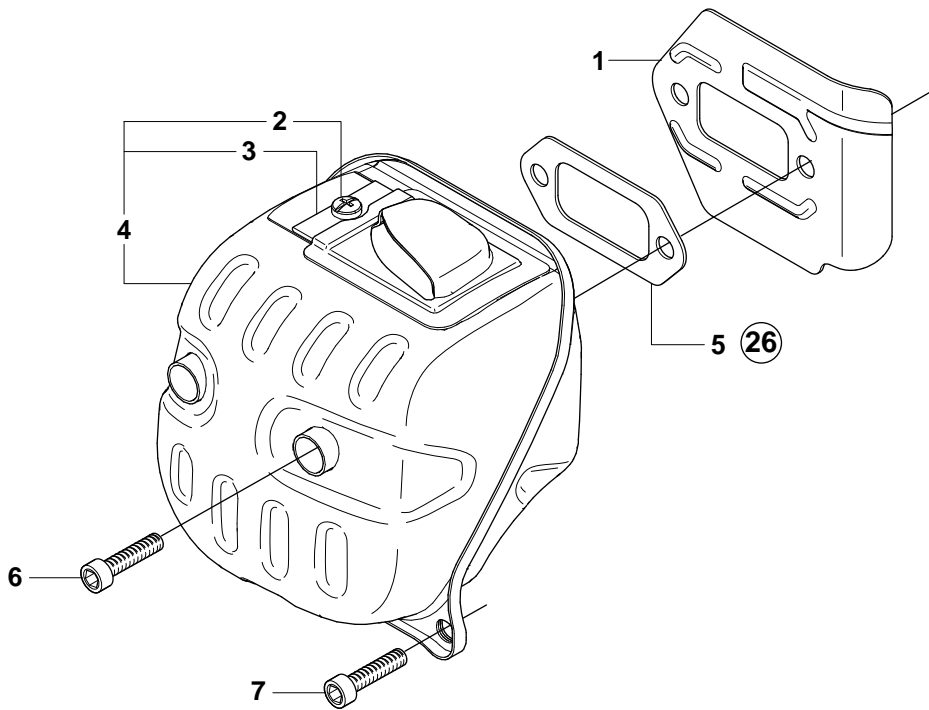




**Page F    576AutoTune    Carburetor & airfilter**

<b>Position</b>	<b>Article</b>	<b>Quantity</b>	<b>Notes</b>	<b>Kit</b>
1	503 20 25-20	2		
2	537 21 32-01	1		
3	537 21 32-09	1		
4	544 33 15-01	1	80 My	
4	544 33 15-02	1	44 My	
4	544 33 15-03	1	Felt	
5	544 85 11-01	1	Felt	
5	544 85 11-02	1	80 My	
5	544 85 11-03	1	44 My	
6	503 20 39-01	2		
7	503 21 26-16	1		
8	731 23 14-01	1		12
9	537 21 04-01	1		
10	731 23 14-01	1		9
11	544 38 76-01	1		13
12	537 20 50-01	1		
13	575 39 05-01	1	ZAMA C1M-EL 40C	
14	537 20 46-01	1		
15	503 22 65-03	2		16
16	537 20 45-01	2		
17	537 20 47-01	1		
18	537 20 49-01	1		
19	537 20 37-01	1		
20	537 20 43-01	1		
21	503 20 02-16	3		

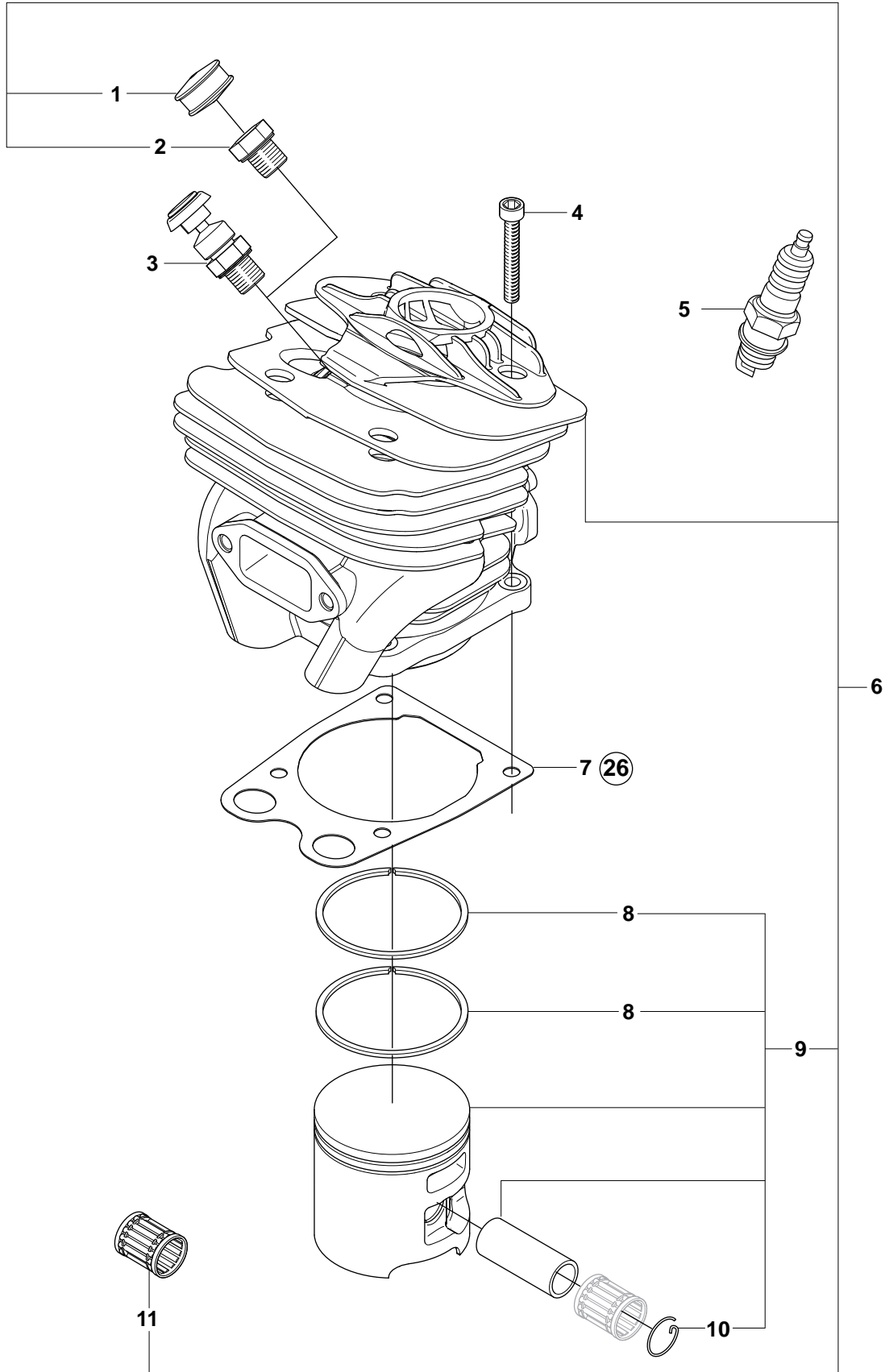
**G** 576 AutoTune  
MUFFLER



**Page G    576AutoTune    Muffler**

<b>Position</b>	<b>Article</b>	<b>Quantity</b>	<b>Notes</b>	<b>Kit</b>
1	537 21 06-01	1		
2	724 12 87-59	1		4
3	503 76 64-02	1		4
4	544 03 02-01	1	FF CE	
4	544 03 02-02	1	DF US	
5	537 20 82-01	1		26
6	725 53 70-55	2		
7	503 20 73-20	2		
26	537 21 26-02	1	Set of gaskets	

# H 576 AutoTune CYLINDER PISTON



**Page H    576AutoTune    Cylinder Piston**

<b>Position</b>	<b>Article</b>	<b>Quantity</b>	<b>Notes</b>	<b>Kit</b>
1	537 20 71-01	1		6
2	503 55 22-01	1		6
3	537 29 44-01	1		
4	725 53 33-55	4		
5	503 23 51-11	1		
6	575 25 74-02	1		
7	544 98 15-01	1		26
8	503 28 90-47	2		6, 9
9	575 25 73-02	1		6
10	737 43 12-00	2		6, 9
11	503 25 56-01	1		6
26	537 21 26-02		Set of gaskets	



<b>Page J    576AutoTune    Handle</b>				
<b>Position</b>	<b>Article</b>	<b>Quantity</b>	<b>Notes</b>	<b>Kit</b>
1	503 21 88-74	1		
2	503 63 75-02	1		
3	503 20 47-01	1		14
4	503 21 88-74	2		
5	503 22 66-01	1		14
6	503 20 47-01	1		15
7	503 21 88-74	1		
8	503 63 75-02	1		
9	503 21 88-74	2		
10	503 21 88-74	2		
11	503 22 66-01	1		15
12	537 03 73-01	1		
13	503 21 88-74	2		
14	537 20 59-01	1	compl. Ø 29mm	
14	537 20 59-03	1	compl. 576XP Ø 27mm	
15	537 20 89-01	1	compl. 576 WA	

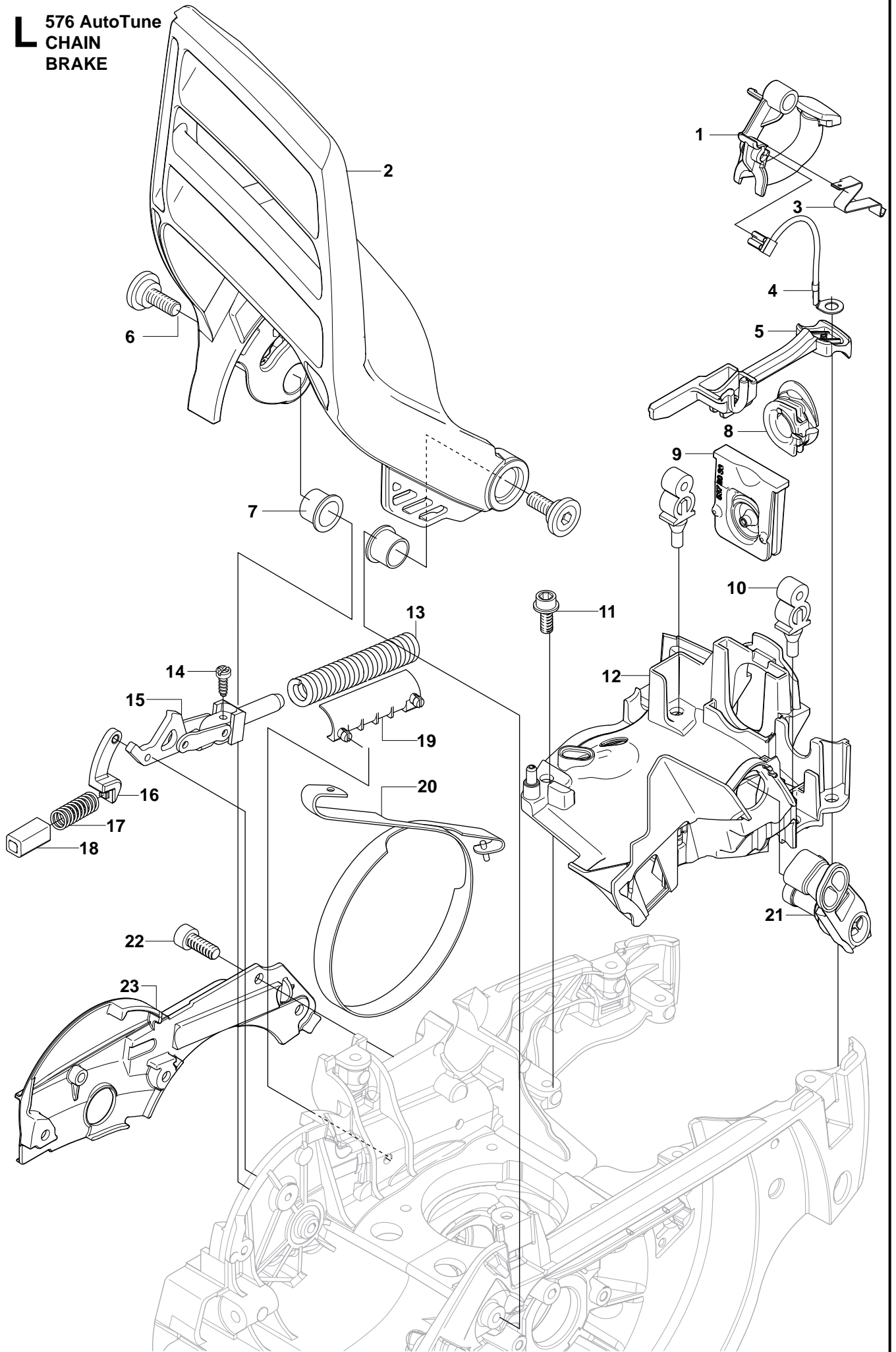




**Page K    576AutoTune    Fuel Tank**

<b>Position</b>	<b>Article</b>	<b>Quantity</b>	<b>Notes</b>	<b>Kit</b>
1	537 20 55-01	1	Orange	
2	537 20 56-01	1	Grey	
3	537 20 84-01	1		12
4	537 21 11-01	1		
5	537 20 85-01	1		12
6	537 20 98-01	1		12
7	537 20 83-01	1		12
8	720 12 40-20	1		12
9	720 12 40-20	1		12
10	544 32 49-06	1		12
11	537 35 95-01	1		12
12	537 21 35-04	1		
13	537 20 57-01	1		
14	503 21 28-10	1		
15	537 21 03-01	1	Std	
15	537 21 03-02	1	Hard	
16	503 73 58-01	1		
17	544 32 50-02	1		
18	503 44 32-01	1		
19	537 21 03-03	1	Std	
19	537 21 03-04	1	Hard	
20	537 21 52-02	1		
21	503 57 89-01	1		20
22	537 21 50-01	1		20

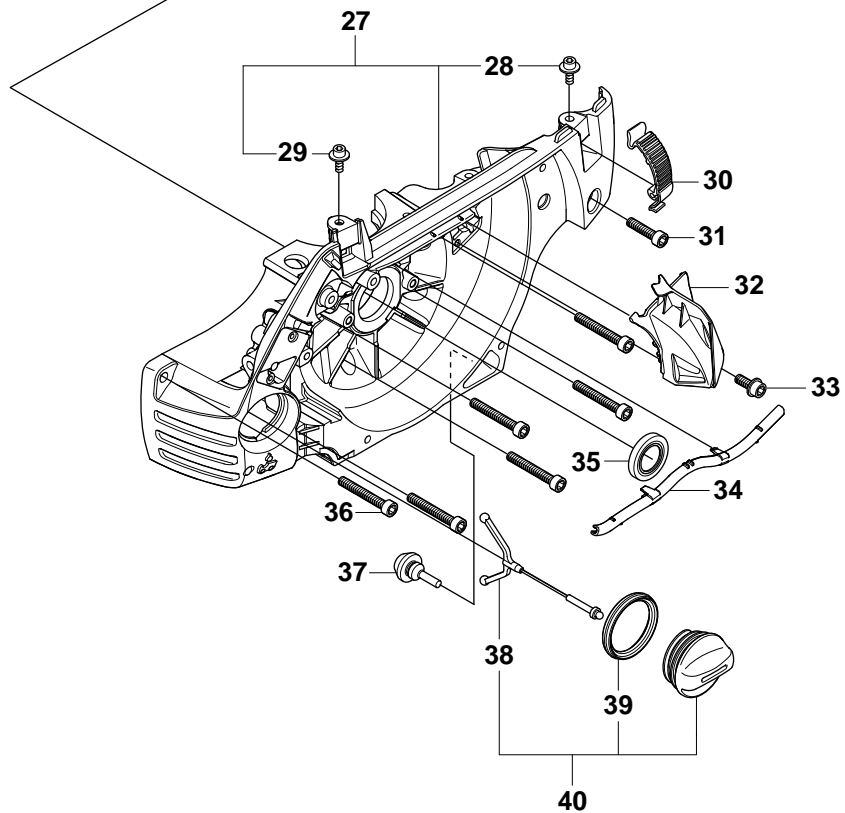
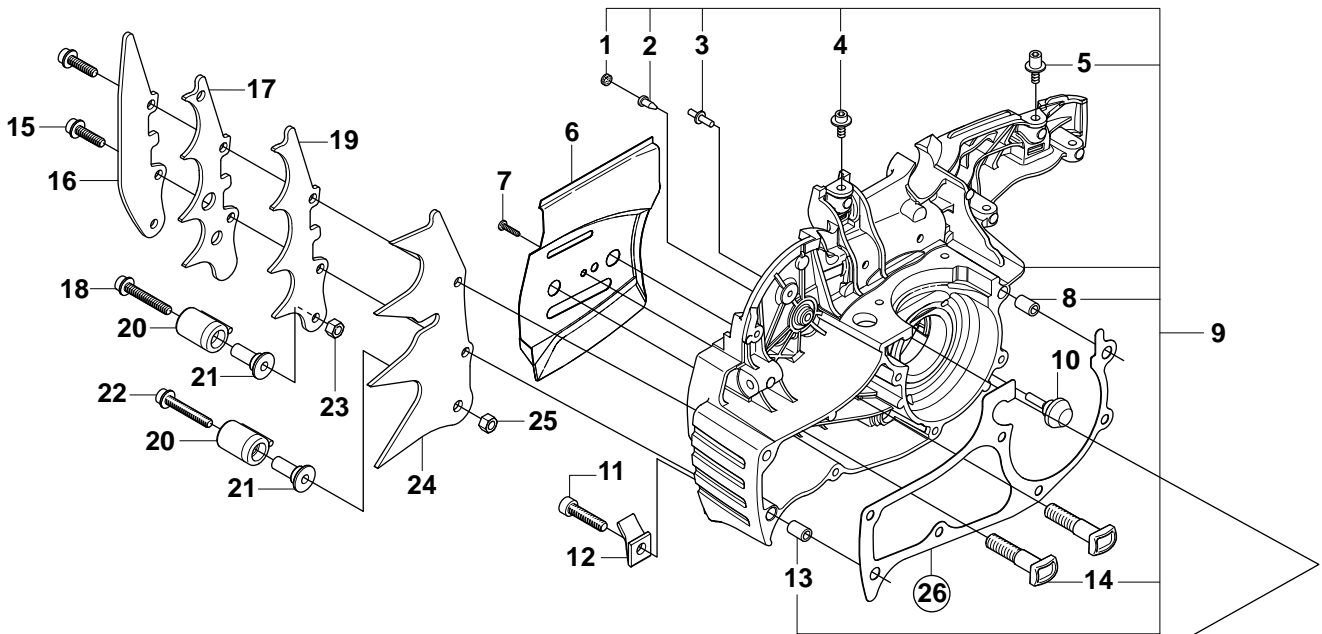
**L** 576 AutoTune  
CHAIN  
BRAKE



**Page L    576AutoTune    Chain Brake**

<b>Position</b>	<b>Article</b>	<b>Quantity</b>	<b>Notes</b>	<b>Kit</b>
1	537 20 51-01	1		
2	537 20 27-01	1		
3	503 86 97-02	1		
4	537 20 87-01	1		
5	537 20 52-01	1		
6	537 20 90-01	2		
7	537 20 28-01	2		
8	537 20 53-01	1		
9	537 20 38-01	1		
10	503 86 93-01	2		
11	503 20 07-12	4		
12	537 20 35-01	1		
13	503 70 99-01	1		
14	503 21 28-10	1		
15	501 87 53-04	1		
16	537 20 31-01	1		
17	503 43 65-01	1		
18	537 21 07-01	1		
19	503 79 27-01	1		
20	503 75 22-02	1		
21	537 20 36-01	1		
22	503 21 70-72	4		
23	537 20 32-01	1		

**M** 576 AutoTune  
CRANKCASE

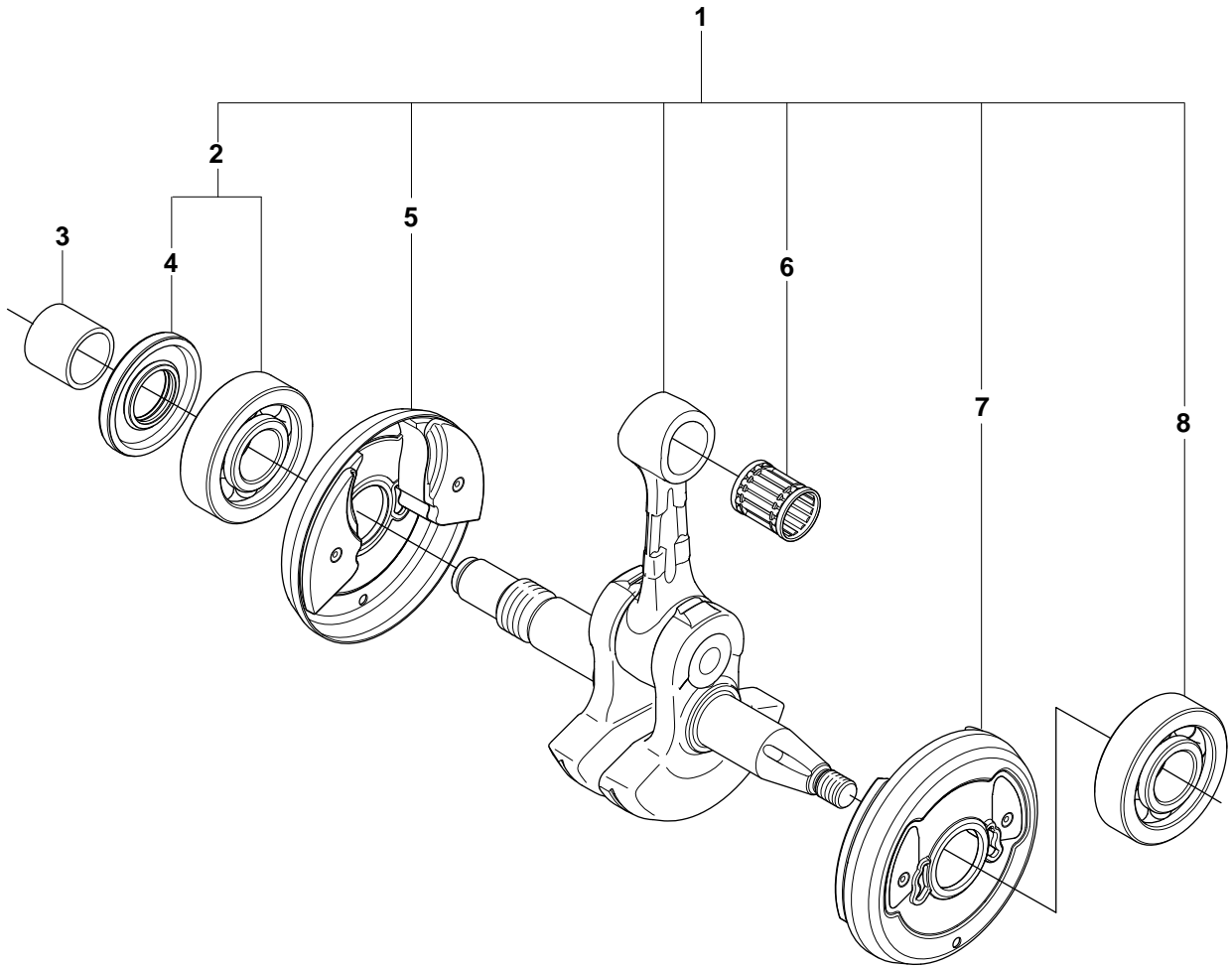


(26) 537 21 26-02 576XP  
 Packningssats  
 Set of gaskets  
 Dichtungssatz  
 Jeu de joints  
 Juego de juntas

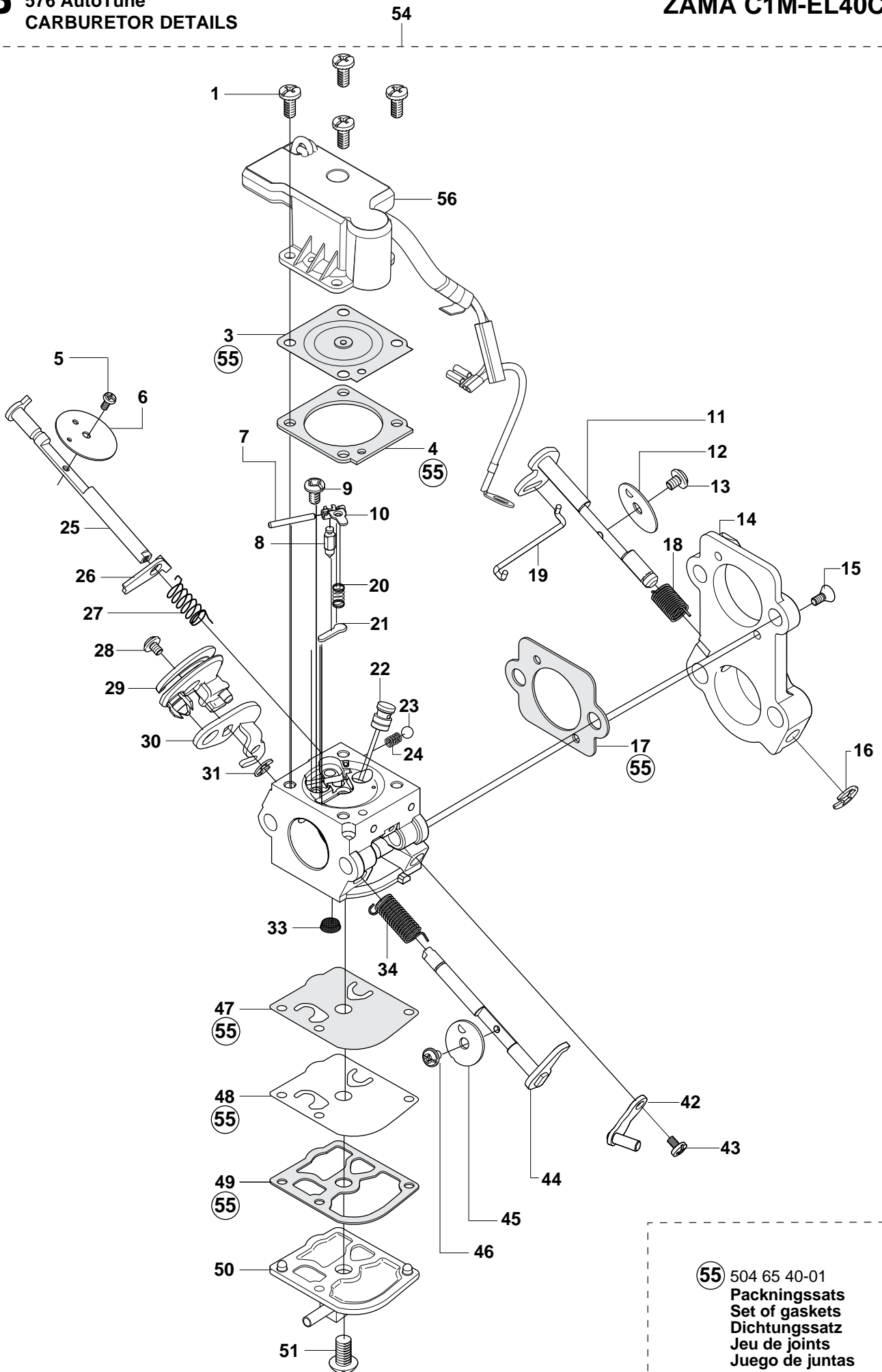
**Page M    576AutoTune    Crankcase**

<b>Position</b>	<b>Article</b>	<b>Quantity</b>	<b>Notes</b>	<b>Kit</b>
1	537 40 35-01	1		9
2	530 02 61-19	1		9
3	537 20 30-01	1		9
4	505 11 15-01	1		9
5	505 11 15-01	1		9
6	537 01 37-02	1		
7	503 21 28-10	1		
8	501 27 08-01	1		9
9	544 89 66-02	1		
10	503 84 61-01	1		
11	503 20 73-20	1		
12	537 37 79-01	1		
13	501 27 08-01	1		9
14	537 05 13-01	2		9
15	503 21 26-16	2		
16	537 04 29-01	1		
17	503 64 79-02	1		
18	503 20 74-30	1		
19	537 01 71-01	1		
20	537 02 44-01	1		
21	537 08 92-01	1		
22	503 20 74-30	1		
23	503 22 24-01	1		
24	537 01 72-01	1		
25	503 22 24-01	1		
26	537 21 26-02	1	Set of gaskets	
27	544 89 66-02	1		
28	505 11 15-01	1		27
29	505 11 15-01	1		27
30	503 89 47-01	4	Orange	
30	503 89 47-03	4	Grey	
31	503 20 73-20	1		
32	537 20 92-01	1		
33	503 20 02-12	1		
33	503 20 07-12	1		
34	537 20 39-01	1		
35	505 48 68-01	1		
36	503 20 08-70	6		
37	503 84 61-01	1		
38	503 57 89-01	1		40
39	537 21 50-01	1		40
40	537 21 52-02	1		

**N** 576 Autotune  
CRANKSHAFT



<b>Page N    576AutoTune    Crank Shaft</b>				
<b>Position</b>	<b>Article</b>	<b>Quantity</b>	<b>Notes</b>	<b>Kit</b>
1	505 12 19-01			
2	505 41 60-01	1		1
3	537 20 58-01	1		
4	505 41 61-01	1		1, 2
5	537 20 33-01	1		1
6	503 25 56-01	1		1
7	537 20 33-01	1		1
8	525 43 43-01	1		1

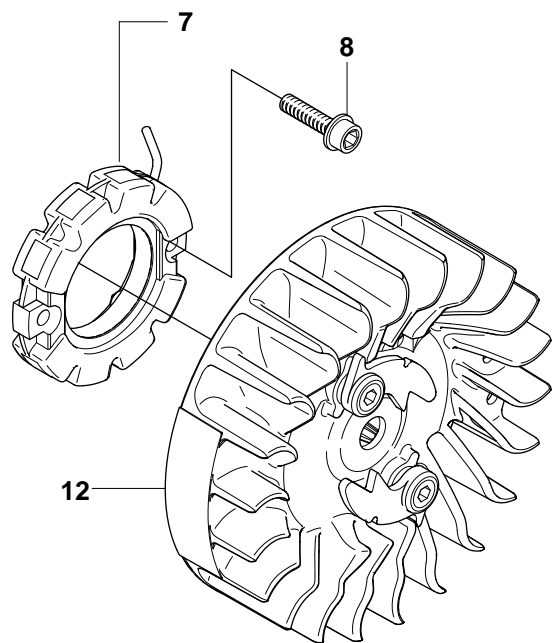
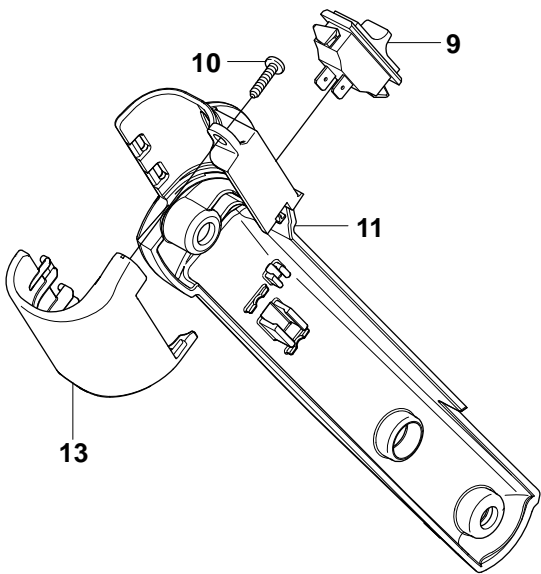
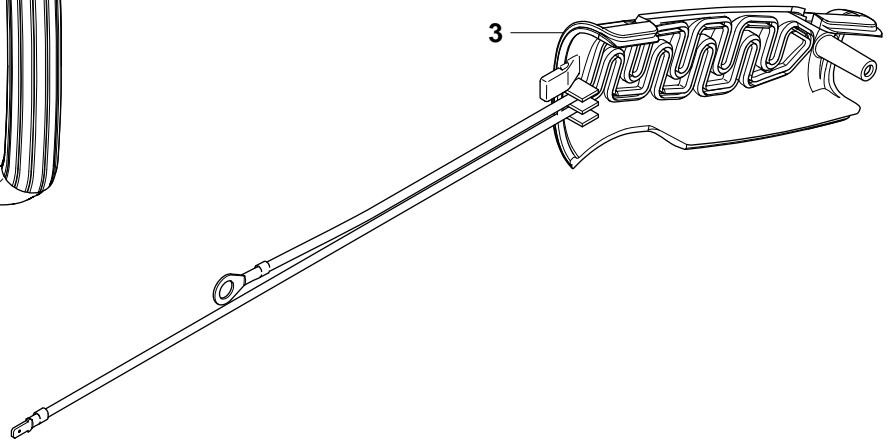
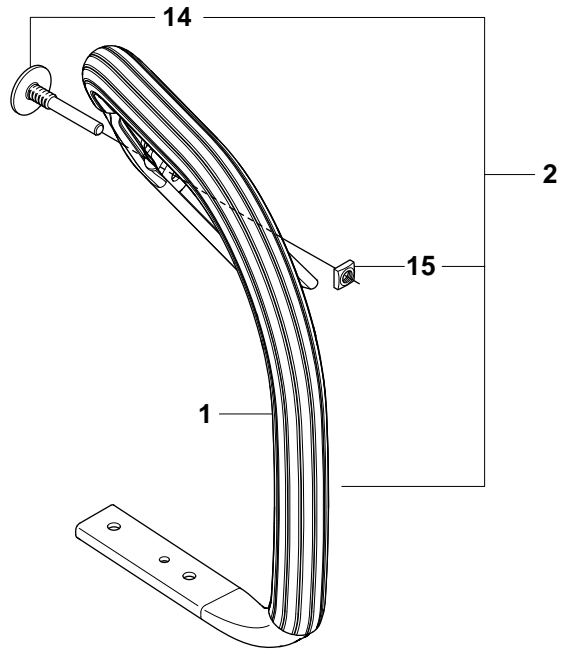
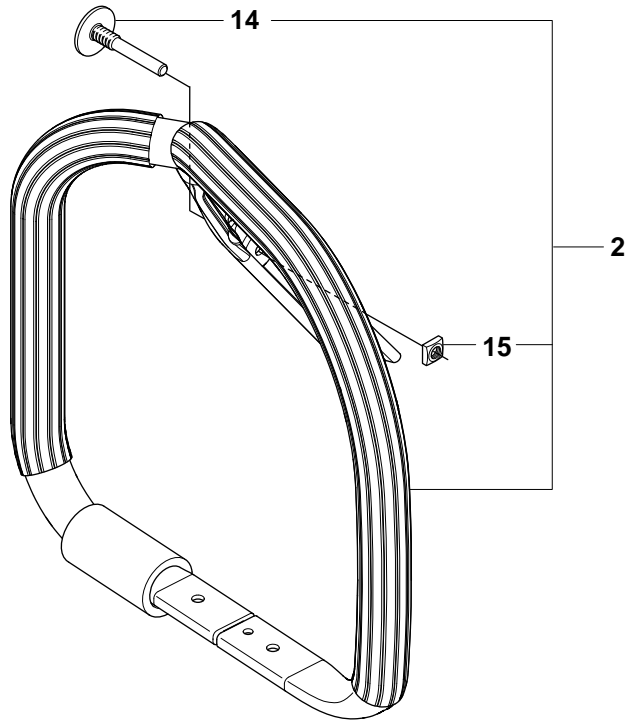




**Page P    576AutoTune    Carburetor Details**

<b>Position</b>	<b>Article</b>	<b>Quantity</b>	<b>Notes</b>	<b>Kit</b>
1	506 39 66-01	4		54
2	537 38 37-01	1		54
3	504 11 38 01	1		54, 55
4	504 62 79-01	1		54, 55
5	503 48 18-01	1		54
6	504 62 77 01	1		54
7	503 48 00-01	1		54
8	503 47 97-01	1		54
9	503 48 01-01	1		54
10	503 66 59-01	1		54
11	544 23 78-01	1		54
12	537 17 70-01	1		54
13	503 48 18-01	1		54
14	544 19 98-01	1		54
15	537 38 51-01	2		54
16	537 38 50-01	1		54
17	537 38 53-01	1		54, 55
18	537 38 55-01	1		54
19	544 23 79-01	1		54
20	537 38 34-01	1		54
21	503 53 56-01	1		54
22	544 23 77-01	1		54
23	537 01 25-01	1		54
24	537 01 26-01	1		54
25	537 38 42-01	1		54
26	544 23 80-01	1	Set of gaskets	54
27	537 38 44-01	1		54
28	503 47 90-01	1		54
29	544 38 76-01	1		54
30	537 38 41-01	1		54
31	537 38 52-01	1		54
33	503 53 57-01	1		54
34	537 38 29-01	1		54
35	537 27 42-01	1		54
36	503 90 34-01	1		54
37	503 97 40-01	2		54
38	537 38 38-01	1		54
39	537 38 47-01	1		54
40	537 38 46-01	1		54
41	537 38 39-01	1		54
42	537 38 45-01	1		54
43	503 47 90-01	1		54
44	537 38 28-01	1		54
45	537 38 30-01	1		54
46	503 48 18-01	1		54
47	537 38 31-01	1		54, 55
48	537 40 33-01	1		54, 55
49	537 02 01-01	1		54, 55
50	515 99 77 01	1		54
51	503 47 96-01	1		54
52	503 48 11-01	1		54
53	537 38 33-01	1		54
54	575 39 05-01	1	ZAMA C1M-EL40C	
55	504 64 40-01	1		54
56	575 35 59-01	1		54

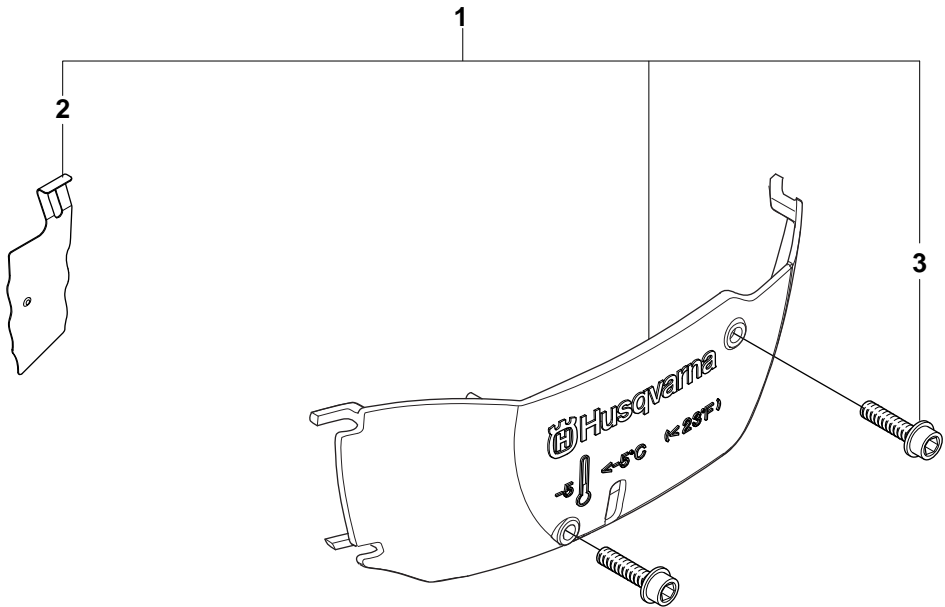
**Q** 576 AutoTune  
HEATED HANDLES



**Page Q    576AutoTune    Heated Handles**

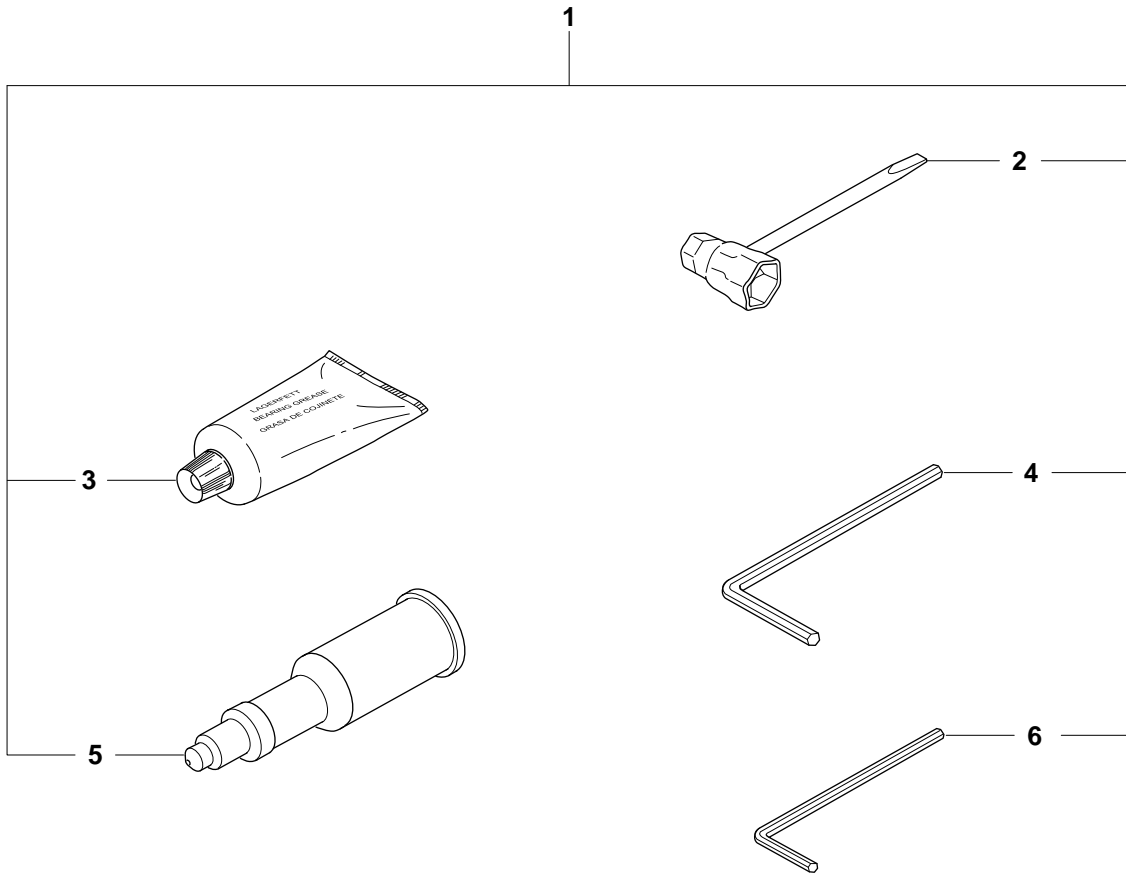
<b>Position</b>	<b>Article</b>	<b>Quantity</b>	<b>Notes</b>	<b>Kit</b>
1	537 20 59-02	1	G	
2	537 20 89-02	1	WAG	
3	537 21 31-01	1		
7	516 00 25-01	1	XPG	
8	503 20 25-16	2		
9	537 13 14-02	1		
10	503 21 28-10	1		
11	537 21 09-01	1		
12	537 20 96-02	1		
13	537 21 10-01	1		
14	503 20 47-01	1		1, 2
15	503 22 66-01	1		1,2

**R** 576 AutoTune  
WINTER KIT



Page R    576AutoTune    Winter Kit				
Position	Article	Quantity	Notes	Kit
1	504 04 57-02	1		
2	537 21 05-01	1		1
3	503 21 70-16	2		1

**S** 576 AutoTune  
ACCESSORIES



<b>Page S    576AutoTune    Accessories</b>				
<b>Position</b>	<b>Article</b>	<b>Quantity</b>	<b>Notes</b>	<b>Kit</b>
1	503 55 85-01	1		
2	501 69 17-01	1		1
3	503 62 12-01	1		1
4	503 55 86-02	1		1
5	501 91 14-01	1		1
6	503 55 86-01	1		1