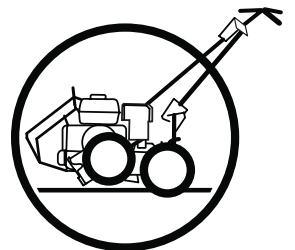


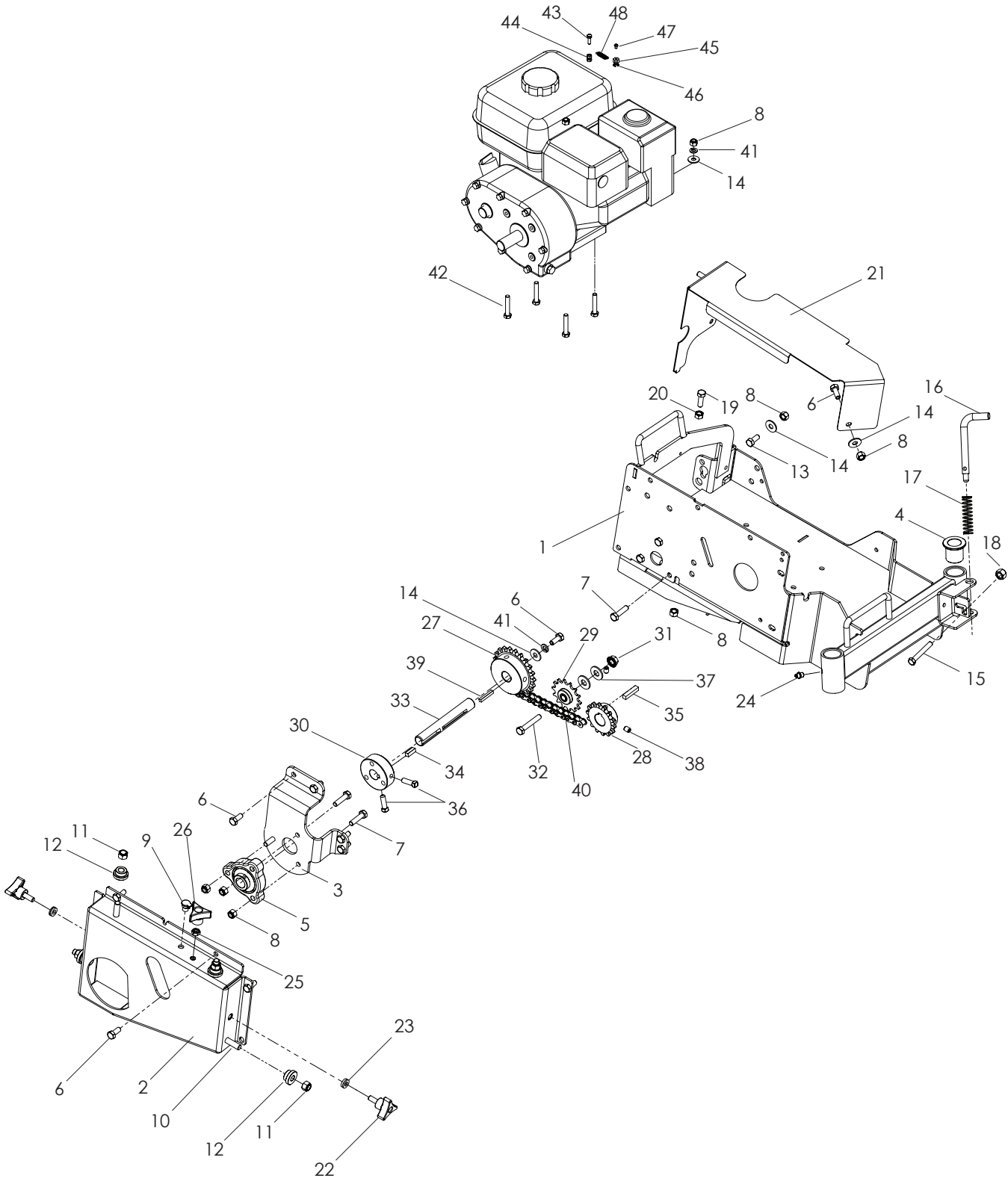
BED EDGER
Parts Manual
BE550 / 966997301



Please read the operator's manual carefully and make sure you understand the instructions before using the machine.

English

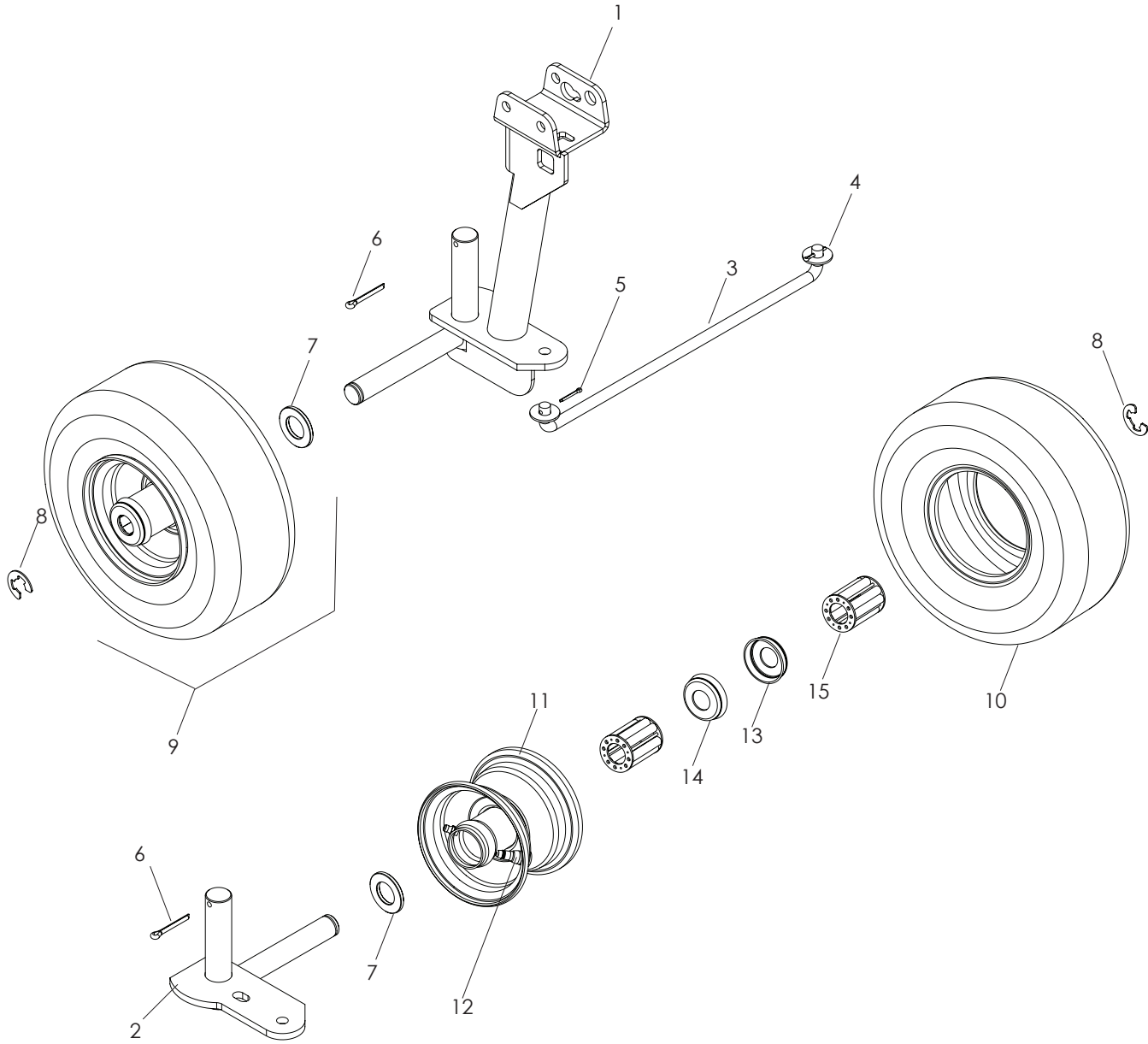
CHASSIS, ENGINE



CHASSIS, ENGINE

ITEM	PART NO.	QTY.	DESCRIPTION	ITEM	PART NO.	QTY.	DESCRIPTION
1..	510 367301 1	FRAME, ORANGE	25..	539 107897 1	NUT ⁵ / ₁₆ -18 HEX JAM
2..	510 373201 1	COVER, CHAIN	26..	539 111321 1	KNOB ⁵ / ₁₆ -18 NYLOC
3..	510 367601 1	SUPPORT, BEARING	27..	539 111106 1	SPROCKET W/KEY
4..	539 101232 4	BUSHING, FLANGED	28..	539 109532 1	SPROCKET, ENGINE
5..	539 100488 2	BEARING, FLANGED	29..	539 000301 1	SPROCKET ASSM, IDLER
6..	539 976934 11	HCS ⁵ / ₁₆ -18 x ³ / ₄	30..	539 109514 1	HUB, MOUNTING
7..	539 990627 7	HCS ⁵ / ₁₆ -18 x 1 ¹ / ₄	31..	539 990613 1	NUT ³ / ₈ -16 HEX WHIZLK
8..	539 990717 21	NUT ⁵ / ₁₆ -18 HEX NYLOC	32..	539 990730 1	HCS ³ / ₈ -16 x 1 ³ / ₄
9..	539 109545 1	OIL CAP ³ / ₈	33..	539 112042 1	SHAFT
10..	539 976941 4	HCS ³ / ₈ -16 x 1 ¹ / ₄	34..	539 102067 1	KEY ¹ / ₄ SQ x ³ / ₄
11..	539 976979 8	NUT ³ / ₈ -16 HEX NYLOC	35..	539 109159 1	KEY 7mm SQ x 33mm
12..	539 106847 4	BUSHING	36..	539 102716 2	SETSCREW ⁵ / ₁₆ -18 x 1
13..	539 990206 2	HCS ⁵ / ₁₆ -18 x ³ / ₄	37..	539 990517 2	WASHER ³ / ₈ STD FLT
14..	539 990692 8	WASHER ⁵ / ₁₆ STD FLT	38..	539 976956 2	SETSCREW ⁵ / ₁₆ -18 x ³ / ₈
15..	539 991003 1	HCS ¹ / ₄ -20 x 1 ³ / ₄	39..	539 109165 1	KEY ³ / ₁₆ SQ x 1 ¹ / ₄
16..	539 109526 1	PIN, SPRING	40..	539 130885 1	CHAIN, TRANSMISSION
17..	539 020034 1	SPRING, COMPRESSION	41..	539 990187 5	WASHER ⁵ / ₁₆ SPLT LOCK
18..	539 976978 1	NUT ¹ / ₄ -20 HEX NYLOC	42..	539 990669 4	HCS ⁵ / ₁₆ -18 x 1 ³ / ₄
19..	539 990209 1	HCS ⁵ / ₁₆ -18 x 1	43..	539 108520 1	HCS M5-0.8 x 16mm GR 8.8
20..	539 990196 1	NUT ⁵ / ₁₆ -18 HEX	44..	539 109154 2	NUT 5MM-8 HEX
21..	510 373101 1	COVER	45..	539 030449 1	CLAMP, THROTTLE CABLE
22..	539 104411 2	KNOB W/STUD	46..	539 030451 1	E-RING CLIP
23..	539 101704 2	WASHER ⁵ / ₁₆ SEALING	47..	539 108583 1	SCREW #8-32 x ¹ / ₄
24..	539 976997 2	ZERK ¹ / ₈ NPT	48..	539 030445 1	SPRING, THROTTLE

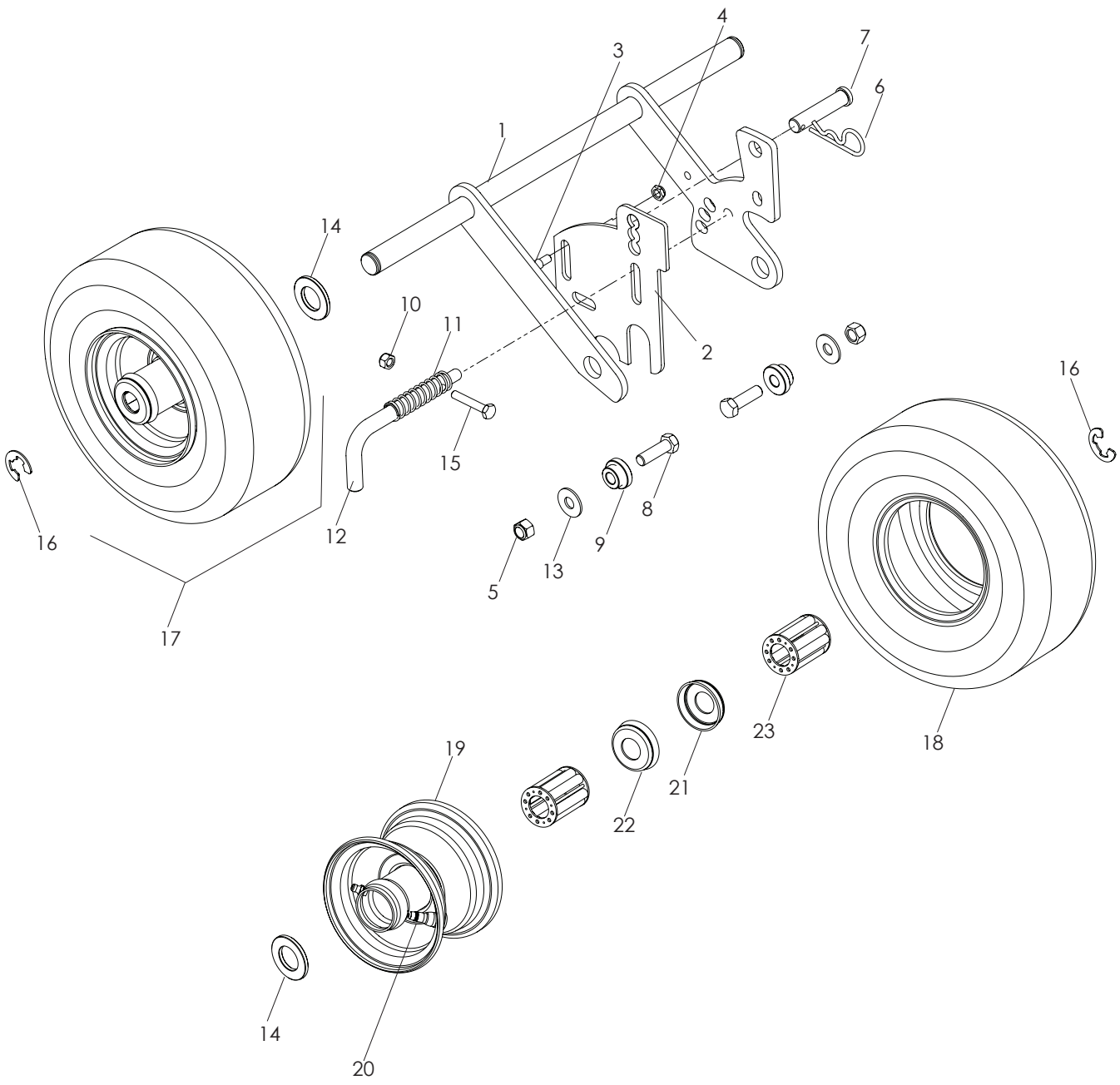
STEERING



STEERING

ITEM	PART NO.	QTY.	DESCRIPTION	ITEM	PART NO.	QTY.	DESCRIPTION
1..	510 367401 1	ARM WELD, RH	9..	539 104556 2	WHEEL ASSEMBLY
2..	510 367501 1	ARM WELDMENT LH	10..	539 101905 2	TIRE
3..	539 109525 1	STEERING ROD	11..	539 104618 2	RIM ASSEMBLY
4..	539 990517 2	WASHER $\frac{3}{8}$ STD FLT	12..	539 912234 2	AIR VALVE
5..	539 990037 2	COTTER PIN $\frac{3}{32}$ X $\frac{3}{4}$	13..	539 923557 2	END CAP
6..	539 990654 2	COTTER PIN $\frac{5}{32}$ X $1\frac{1}{4}$	14..	539 977356 2	END CAP, NOTCHED
7..	539 109333 2	WASHER $\frac{3}{4}$ FLAT SAE	15..	539 977353 4	BEARING, ROLLER
8..	539 102454 2	E-RING $\frac{3}{4}$				

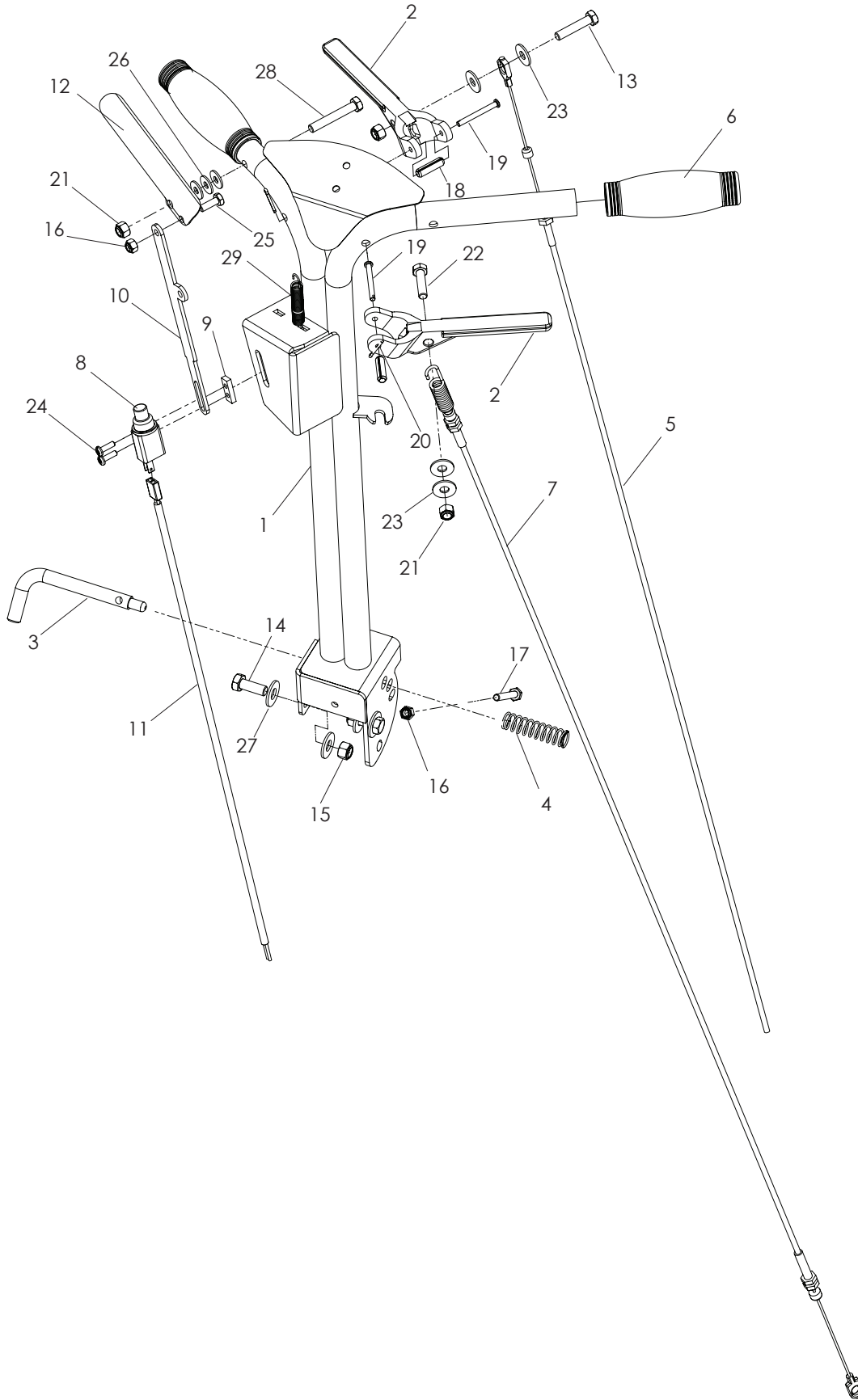
REAR WHEEL



REAR WHEEL

ITEM	PART NO.	QTY.	DESCRIPTION	ITEM	PART NO.	QTY.	DESCRIPTION
1..	510 367001 1	AXLE, REAR	13..	539 990517 2	WASHER $\frac{3}{8}$ STD FLT
2..	539 112282 1	PLATE, SLIDE	14..	539 109333 2	WASHER $\frac{3}{4}$ FLAT SAE
3..	539 102828 1	BOLT $\frac{5}{16}$ x $\frac{5}{8}$	15..	539 990639 1	HCS $\frac{1}{4}$ -20 x $1\frac{1}{2}$
4..	539 108120 1	NUT $\frac{1}{4}$ -20 HEX NYLOC	16..	539 102454 2	E-RING $\frac{3}{4}$
5..	539 976979 2	NUT $\frac{3}{8}$ -16 HEX NYLOC	17..	539 104556 2	WHEEL ASSEMBLY
6..	539 976989 1	HAIRPIN	18..	539 101905 2	TIRE
7..	539 109226 1	PIN, CLEVIS $\frac{1}{2}$ x $2\frac{1}{4}$	19..	539 104618 2	RIM ASSEMBLY
8..	539 976941 2	HCS $\frac{3}{8}$ -16 x $1\frac{1}{4}$	20..	539 912234 2	AIR VALVE
9..	539 106847 2	BUSHING	21..	539 923557 2	END CAP
10..	539 976978 1	NUT $\frac{1}{4}$ -20 HEX NYLOC	22..	539 977356 2	END CAP, NOTCHED
11..	539 020034 1	SPRING, COMPRESSION	23..	539 977353 4	BEARING, ROLLER
12..	539 109526 1	PIN, SPRING				

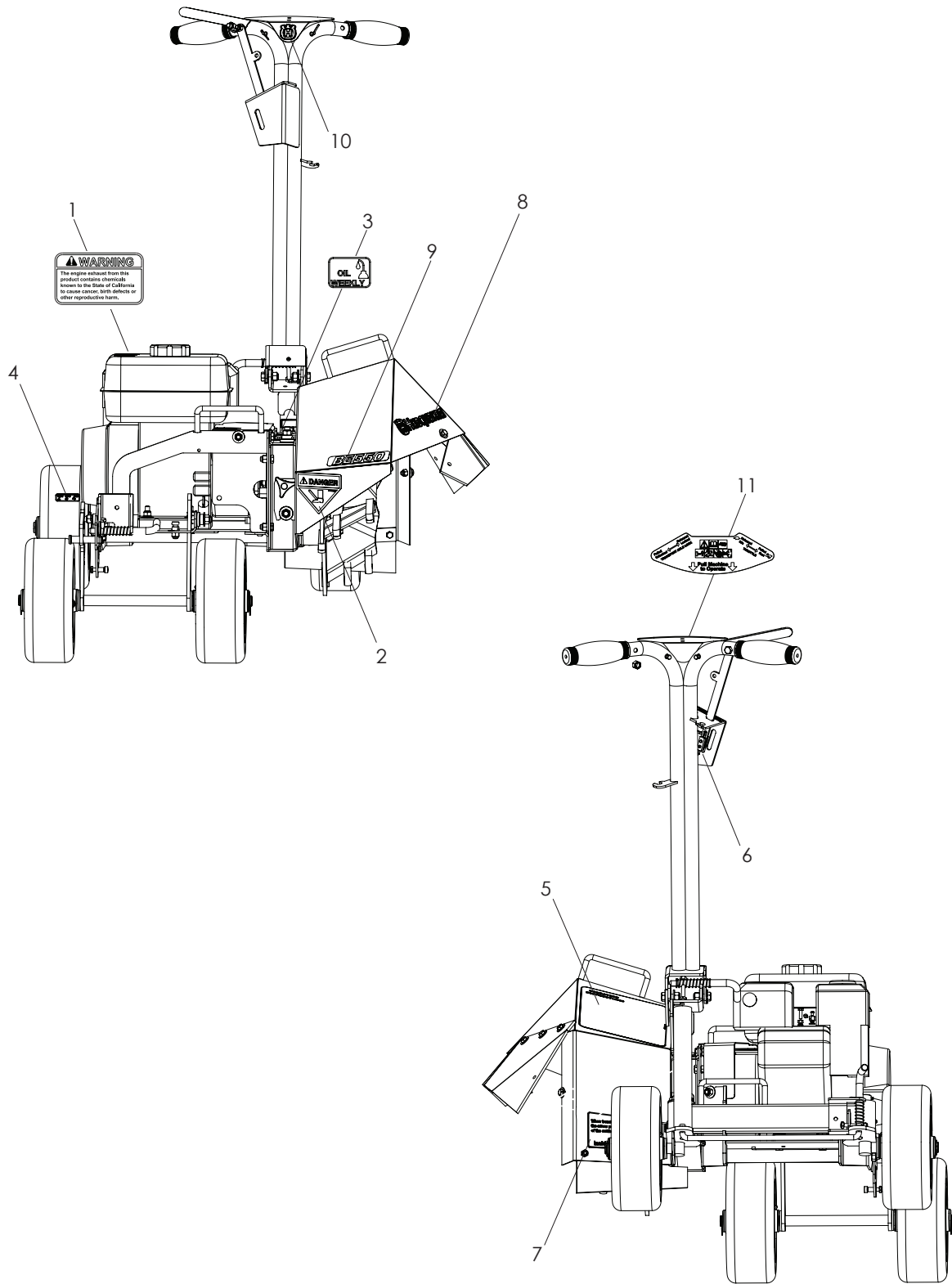
HANDLE



HANDLE

ITEM	PART NO.	QTY.	DESCRIPTION	ITEM	PART NO.	QTY.	DESCRIPTION
1..	510 367201 1	HANDLE, ORANGE	17..	539 101313 1	HCS 1/4-20 x 2
2..	539 131156 2	LEVER, DRIVE	18..	539 923313 2	ROLL PIN
3..	539 109526 1	PIN, SPRING	19..	539 101213 2	PIN, CLEVIS
4..	539 020034 1	SPRING, COMPRESSION	20..	539 990037 2	COTTER PIN 3/32 x 3/4
5..	539 109549 1	CABLE, THROTTLE	21..	539 990717 3	NUT 5/16-18 HEX NYLOC
6..	539 976488 2	GRIP, HANDLE	22..	539 990627 1	HCS 5/16-18 x 1 1/4
7..	539 109509 1	CABLE, DEPTH	23..	539 990692 4	WASHER 5/16 STD FLT
8..	539 020017 1	SWITCH, PLUNGER	24..	539 976952 2	SCREW #10-24 x .625
9..	539 102678 1	PLATE, TAPPED	25..	539 990580 1	HCS 1/4-20 x 3/4
10..	539 109887 1	LINKAGE	26..	539 990598 3	WASHER 1/4 FLAT
11..	539 109890 1	WIRE HARNESS	27..	539 990517 4	WASHER 3/8 STD FLT
12..	510 417401 1	LEVER, OP	28..	539 976937 1	HCS 5/16-18 x 2
13..	539 976935 1	HCS 5/16-18 x 1 1/2	29..	539 977250 1	SPRING
14..	539 990563 2	HCS 3/8-16 x 1	NOT SHOWN			
15..	539 976979 2	NUT 3/8-16 HEX NYLOC	539 976856 6	WIRE TIE	
16..	539 976978 2	NUT 1/4-20 HEX NYLOC				

DECALS

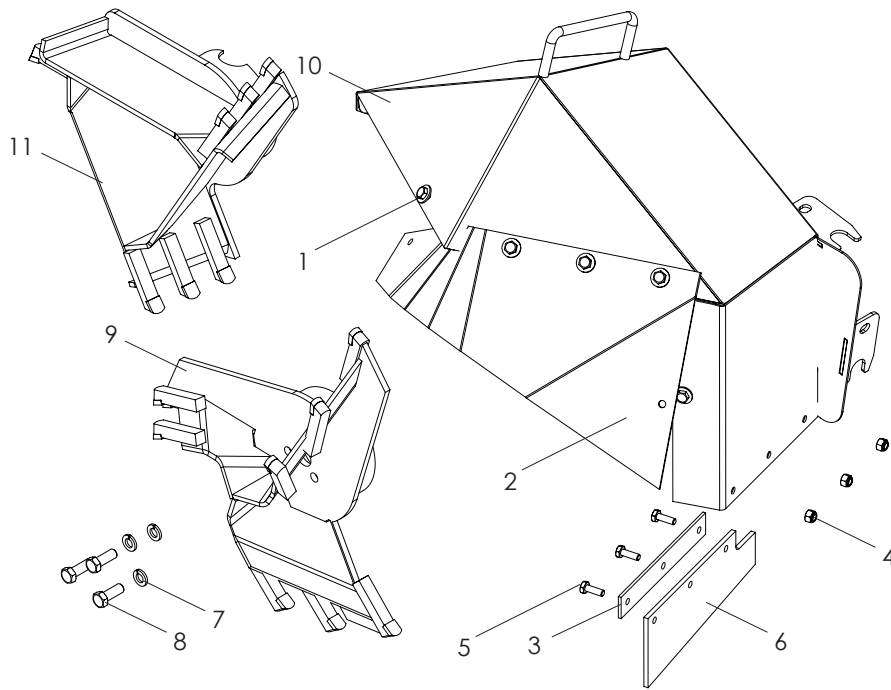


DECALS

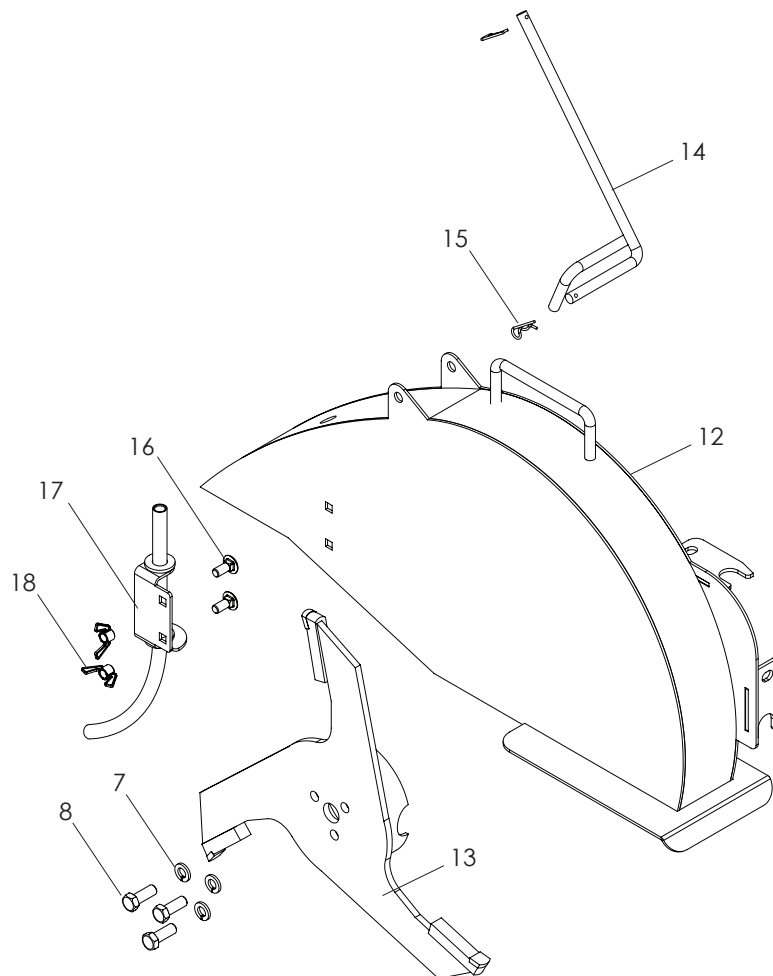
ITEM	PART NO.	QTY.	DESCRIPTION	ITEM	PART NO.	QTY.	DESCRIPTION
1..	539 101881	1....	DECAL, PROP 65	7..	539 110761.....	1....	DECAL, GUIDELINE
2..	540 200076	1....	DECAL, DANGER FOOT	8..	532 422012	1....	DECAL, HUSQ HOOD
3..	539 109899	1....	DECAL, OILING	9..	521 971401	1....	DECAL, BE550
4..	539 111132	1....	DECAL, DEPTH	10..	532 422009	1....	DECAL, CROWN
5..	539 110854.....	1....	DECAL, INSTRUCTION	11..	510 437401	1....	DECAL, OPERATION
6..	539 917150	1....	DECAL, PATENT PENDING				

CUTTING EQUIPMENT AND BLADE GUARD

Shaper



Cable Layer



CUTTING EQUIPMENT AND BLADE GUARD

ITEM	PART NO.	QTY.	DESCRIPTION	ITEM	PART NO.	QTY.	DESCRIPTION
1..	539 990598	5....	WASHER ¼ FLAT	10..	510 367701	1....	GUARD, SHAPER
2..	539 109882	1....	FLAP, LARGE	11..	539 130708	1....	BLADE, PAVER
3..	539 109534	1....	STRAP	12..	522 000701	1....	GUARD, W/DECALS
4..	539 976978	8....	NUT ¼-20 HEX NYLOC	13..	539 109877	1 ...	BLADE, CABLE
5..	539 990580	8....	HCS ¼-20 x ¾	14..	510 423301	1....	PIN, SPOOL
6..	539 109733	1....	REAR FLAP	15..	539 976988	2 ...	COTTER HAIRPIN
7..	539 990118.....	3....	WASHER ¾ SPLT LOCK	16..	539 990316	2 ...	RHSNB 5/16-18 x ¾
8..	539 990563	3....	HCS ¾-16 x 1	17..	510 423201	1 ...	TUBE WLDMT
9..	539 109711.....	1....	BLADE, SHAPER	18..	539 100276	2 ...	WING NUT 5/16-18 UNC

