

K3000

K3000 Wet

Reservdelar

Spare parts

Ersatzteile

Pieces de rechange

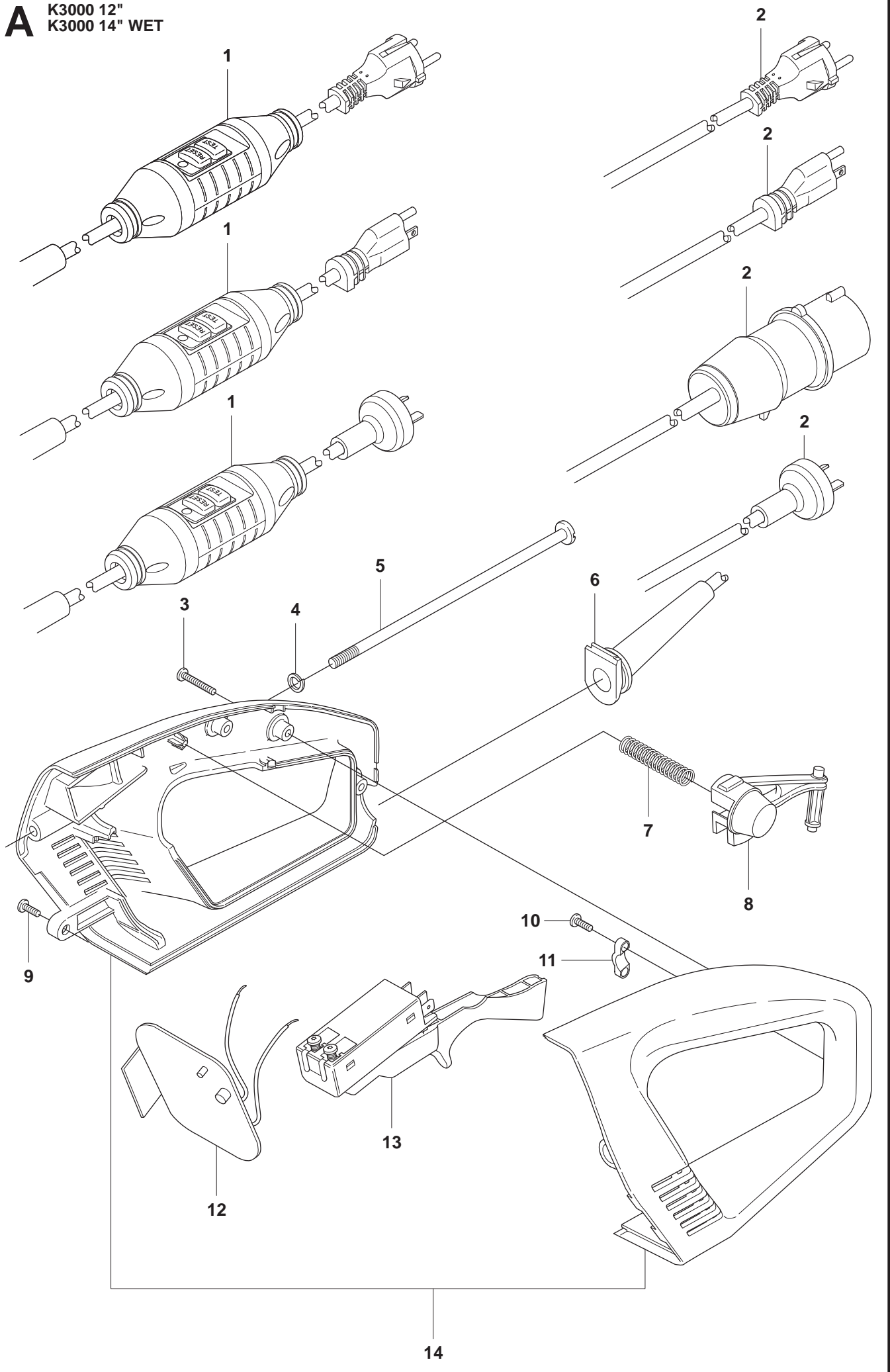
Piezas de repuesto

Ricambi

Peças sobresselente

| No. | Pos. | Description | No. | Pos. | Description |
|--------------|------|----------------------|--------------|------|-------------------------|
| 502 30 44-04 | H | HOSE ASSY | 522 94 51-01 | H | VALVE HOUSING K3000 WET |
| 502 61 70-01 | H | VALVE | 523 12 24-01 | B | NUT |
| 503 21 20-01 | A | SCREW | 525 45 84-01 | B | ROTOR |
| 503 21 53-12 | C | SCREW | 525 45 85-01 | B | ROTOR |
| 503 25 09-01 | B | BALL BEARING | 525 59 24-01 | A | PRINTED CIRCUIT ASSY |
| 503 26 60-03 | H | COUPLER | 531 03 12-76 | E | SCREW |
| 503 26 60-04 | H | COUPLER | 531 03 18-23 | E | SPRING |
| 504 63 42-01 | H | NIPPLE | 531 03 18-75 | C | GEAR WHEEL |
| 504 63 45-01 | H | HOUSING | 531 03 18-83 | A | SWITCH |
| 504 63 46-01 | H | SCREW | 531 03 18-85 | A | SPRING |
| 504 90 94-01 | H | SCREW | 531 03 18-87 | A | CLIP |
| 505 09 54-02 | H | HOSE KIT | 531 03 18-91 | D | PIPE |
| 505 10 35-01 | H | O-RING | 531 03 18-92 | D | BRUSH ROCKER |
| 505 11 55-01 | H | HOUSING | 531 03 18-94 | E | SCREW |
| 505 12 24-01 | D | LID | 531 03 19-02 | A | SCREW |
| 505 28 18-01 | C | SPACER RING INNER | 531 07 39-44 | B | BALL BEARING |
| 505 28 19-01 | C | SPACER RING OUTER | 531 07 42-60 | H | FIBRE WASHER |
| 505 35 32-01 | H | NIPPLE | 544 40 32-01 | C | GEAR SET |
| 505 41 30-01 | F | WHEEL GUARD | 544 40 33-01 | C | SHAFT |
| 505 44 33-03 | A | CABLE ASSY | 544 40 34-01 | E | GEAR HOUSING |
| 505 52 02-11 | A | CABLE CPL | 544 89 87-01 | D | MOTOR HOUSING |
| 505 53 03-07 | D | AIR STREAM DIRECTOR | 544 89 94-01 | D | LID |
| 505 53 03-10 | C | GASKET | 544 90 02-01 | D | LID |
| 505 53 03-11 | ADE | SCREW | 544 90 05-01 | A | CABLE SLEEVE |
| 505 53 03-14 | B | RUBBER BUSHING | 544 90 06-01 | A | LOCKING BUTTON |
| 505 53 03-16 | B | SPACER | 544 90 33-01 | D | LABEL |
| 505 53 03-19 | B | SPACER | 544 90 33-02 | D | LABEL |
| 505 53 03-41 | B | FELT JOINT | 544 90 33-04 | D | LABEL |
| 505 53 03-51 | B | SPRING WASHER | 544 90 45-01 | A | HANDLE ASSY |
| 505 53 03-52 | B | SPACER | 544 90 47-01 | E | SHAFT |
| 505 53 03-56 | A | CABLE CPL | 544 98 40-01 | D | LABEL WARNING |
| 505 57 41-16 | C | SCREW | 723 22 85-81 | D | SCREW |
| 505 57 41-20 | C | SCREW | 724 12 87-59 | D | SCREW |
| 506 02 87-01 | C | FLANGE WASHER | 724 12 91-01 | D | SCREW |
| 506 02 88-30 | C | BUSHING | 724 13 27-55 | A | SCREW |
| 506 09 86-02 | BC | PINION | 729 57 76-01 | D | SCREW |
| 506 13 95-11 | C | WASHER | 732 21 14-01 | D | LOCK NUT |
| 506 13 96-01 | C | COLLAR SCREW | 734 11 36-01 | D | WASHER |
| 506 15 00-03 | F | WHEEL GUARD | 735 11 36-50 | D | WASHER |
| 506 15 03-03 | E | HANDLE | 735 11 46-50 | AD | WASHER |
| 506 22 51-10 | D | FIELD COIL | 735 21 36-01 | D | WASHER |
| 506 22 51-20 | D | FIELD COIL | 735 31 08-00 | E | CIRCLIP |
| 506 22 53-01 | D | SCREW | 735 31 33-10 | B | CIRCLIP |
| 506 22 58-02 | D | CARBON BRUSH | 738 22 00-15 | C | BALL BEARING |
| 506 26 63-02 | C | LINING | | | |
| 506 26 64-01 | C | SCREEN PATTERN FLANG | | | |
| 506 26 65-01 | C | FLANGE | | | |
| 506 28 84-01 | C | SCREEN PATTERN FLANG | | | |
| 506 29 88-01 | H | FILTER | | | |
| 506 32 06-01 | C | SEALING | | | |
| 506 37 96-20 | C | BUSHING | | | |
| 506 37 96-22 | C | BUSHING | | | |
| 506 37 96-25 | C | BUSHING | | | |
| 506 38 26-01 | G | COMBINATION TOOL | | | |
| 506 38 43-14 | D | LABEL | | | |
| 506 38 43-24 | D | LABEL | | | |
| 506 38 44-15 | D | LABEL | | | |
| 506 48 61-01 | H | FLOW CONTROL | | | |
| 506 49 87-01 | H | HOSE CLAMP | | | |
| 506 60 68-07 | H | HOSE | | | |
| 506 60 68-08 | H | HOSE | | | |
| 510 11 20-01 | H | NIPPLE | | | |
| 510 11 39-01 | H | HOSE ASSY | | | |
| 510 18 13-02 | A | CABLE ASSY | | | |
| 510 18 14-01 | A | CABLE CPL | | | |
| 510 18 75-01 | H | INSERT | | | |
| 510 19 59-01 | H | VALVE KIT | | | |
| 510 22 28-01 | A | CABLE CPL | | | |
| 521 90 72-03 | A | CABLE ASSY | | | |
| 522 63 78-01 | A | PRINTED CIRCUIT ASSY | | | |

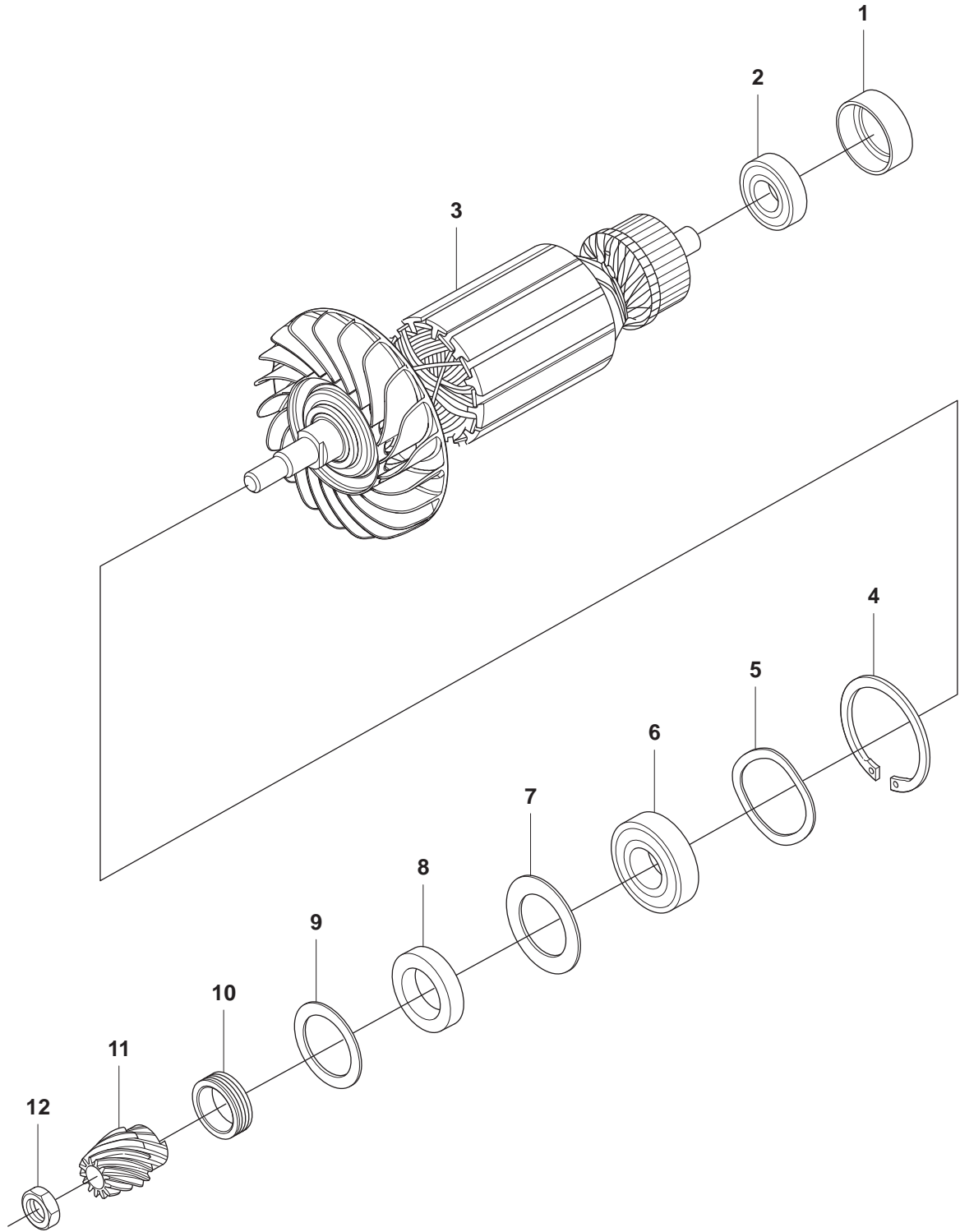
A K3000 12"
K3000 14" WET



Page A**K3000, K3000 Wet**

| Pos. | Part No. | Description | Quantity | Notes | New Part |
|-------------|-----------------|----------------------|-----------------|------------------|-----------------|
| 1 | 505 44 33-03 | CABLE ASSY | 1 | 230V, Incl. 6 | |
| 1 | 510 18 13-02 | CABLE ASSY | 1 | 110V JP, USA | |
| 1 | 521 90 72-03 | CABLE ASSY | 1 | 110V AU, Incl. 6 | New Part |
| 2 | 505 52 02-11 | CABLE CPL | 1 | 230V | |
| 2 | 505 53 03-56 | CABLE CPL | 1 | 110V JP, USA | |
| 2 | 510 18 14-01 | CABLE CPL | 1 | 110V UK | |
| 2 | 510 22 28-01 | CABLE CPL | 1 | 110V AU | New Part |
| 3 | 531 03 19-02 | SCREW | 3 | | |
| 4 | 735 11 46-50 | WASHER | 1 | | |
| 5 | 505 53 03-11 | SCREW | 1 | | |
| 6 | 544 90 05-01 | CABLE SLEEVE | 1 | 230V | |
| 7 | 531 03 18-85 | SPRING | 1 | | |
| 8 | 544 90 06-01 | LOCKING BUTTON | 1 | | |
| 9 | 724 13 27-55 | SCREW | 1 | | |
| 10 | 503 21 20-01 | SCREW | 2 | | |
| 11 | 531 03 18-87 | CLIP | 1 | | |
| 12 | 522 63 78-01 | PRINTED CIRCUIT ASSY | 1 | 110V | New Part |
| 12 | 525 59 24-01 | PRINTED CIRCUIT ASSY | 1 | 230V | New Part |
| 13 | 531 03 18-83 | SWITCH | 1 | | |
| 14 | 544 90 45-01 | HANDLE ASSY | 1 | | |

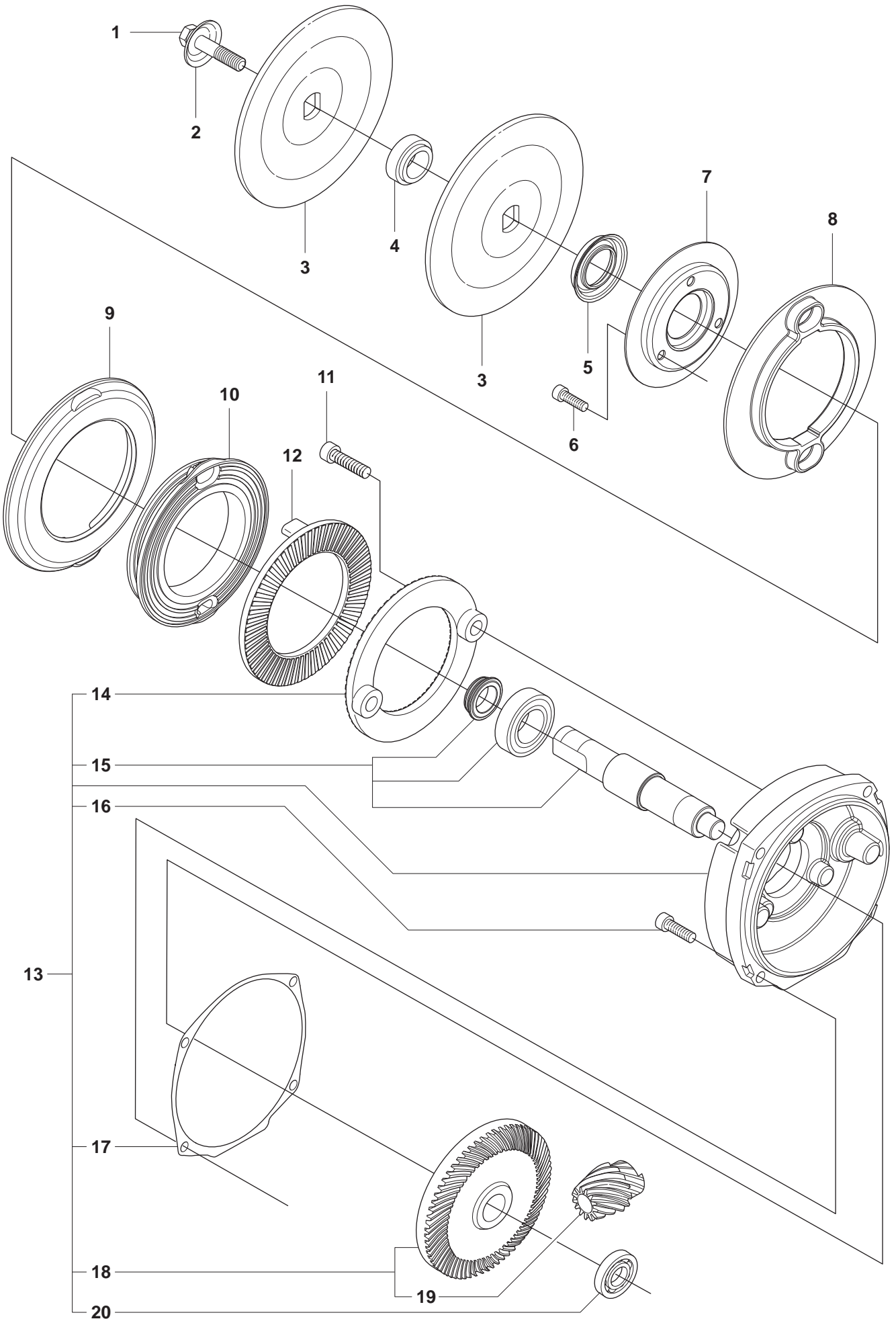
B K3000 12"
K3000 14" WET



Page B**K3000, K3000 Wet**

| Pos. | Part No. | Description | Quantity | Notes | New Part |
|-------------|-----------------|--------------------|-----------------|--------------|-----------------|
| 1 | 505 53 03-14 | RUBBER BUSHING | 1 | | |
| 2 | 503 25 09-01 | BALL BEARING | 1 | | |
| 3 | 525 45 84-01 | ROTOR | 1 | 100 - 120V | New Part |
| 3 | 525 45 85-01 | ROTOR | 1 | 230V | New Part |
| 4 | 735 31 33-10 | CIRCLIP | 1 | | |
| 5 | 505 53 03-51 | SPRING WASHER | 1 | | |
| 6 | 531 07 39-44 | BALL BEARING | 1 | | New Part |
| 7 | 505 53 03-16 | SPACER | 1 | | |
| 8 | 505 53 03-41 | FELT JOINT | 1 | | |
| 9 | 505 53 03-52 | SPACER | 1 | | |
| 10 | 505 53 03-19 | SPACER | 1 | | |
| 11 | 506 09 86-02 | PINION | 1 | | |
| 12 | 523 12 24-01 | NUT | 1 | | New Part |

C K3000 12"
K3000 14" WET



Page C**K3000, K3000 Wet**

| Pos. | Part No. | Description | Quantity | Notes | New Part |
|-------------|-----------------|----------------------|-----------------|-------------------|-----------------|
| 1 | 506 13 96-01 | COLLAR SCREW | 1 | | |
| 2 | 506 13 95-11 | WASHER | 1 | | |
| 3 | 506 02 87-01 | FLANGE WASHER | 2 | | |
| 4 | 506 37 96-20 | BUSHING | 1 | Diam 20mm | |
| 4 | 506 37 96-22 | BUSHING | 1 | Diam 22,2mm | |
| 4 | 506 37 96-25 | BUSHING | 1 | Diam 25,4mm | |
| 4 | 506 02 88-30 | BUSHING | 1 | Diam 30,5mm | |
| 5 | 506 32 06-01 | SEALING | 1 | | |
| 6 | 505 57 41-16 | SCREW | 3 | | New Part |
| 7 | 506 26 65-01 | FLANGE | 1 | | |
| 8 | 505 28 18-01 | SPACER RING INNER | 1 | 12" only | New Part |
| 9 | 505 28 19-01 | SPACER RING OUTER | 1 | 12" only | New Part |
| 10 | 506 26 63-02 | LINING | 1 | | |
| 12 | 506 26 64-01 | SCREEN PATTERN FLANG | 1 | | |
| 11 | 503 21 53-12 | SCREW | 2 | | New Part |
| 13 | 544 40 32-01 | GEAR SET | 1 | Incl. 14 - 18, 20 | |
| 14 | 506 28 84-01 | SCREEN PATTERN FLANG | 1 | | |
| 15 | 544 40 33-01 | SHAFT | 1 | | |
| 16 | 505 57 41-20 | SCREW | 4 | | New Part |
| 17 | 505 53 03-10 | GASKET | 2 | | |
| 18 | 531 03 18-75 | GEAR WHEEL | 1 | Incl. 19 | |
| 19 | 506 09 86-02 | PINION | 1 | | |
| 20 | 738 22 00-15 | BALL BEARING | 1 | | |

D K3000 12"
K3000 14" WET

K3000
Wet

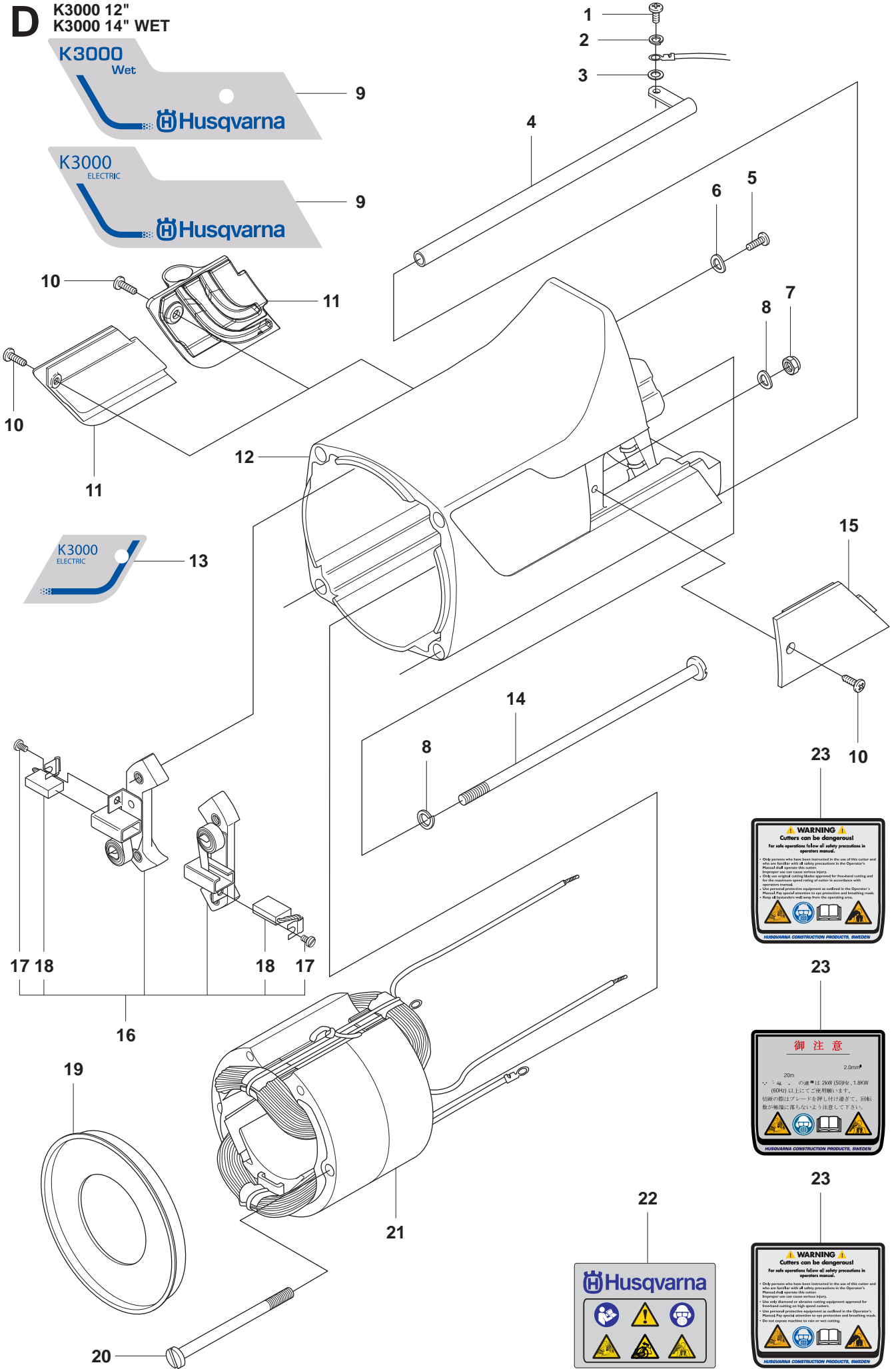
Husqvarna

K3000
ELECTRIC

Husqvarna

K3000
ELECTRIC

13



⚠ WARNING ⚠
Cutters can be dangerous!
For safe operation follow all safety precautions in operator manual.

- Only persons who have been instructed in the use of this cutter and who are familiar with all safety precautions in the Operator's Manual shall operate this cutter.
- Operator use can cause serious injury.
- Use only approved cutting blades approved for forward cutting and for this application. Avoid cutting of cutter in accordance with operator manual.
- Use personal protective equipment as outlined in the Operator's Manual. Pay special attention to eye protection and hearing mask. Many cutters will vary from the operating area.

HUSQVARNA CONSTRUCTION PRODUCTS, SWEDEN

御注意

20mm
2.0mm^φ

この製品の油圧は 2kW (500W) は、1.8kW (500W) 以上にてご使用ください。
誤用の際はブレードを押し付け過ぎて、回転数が軸端に落ちないように注意して下さい。

HUSQVARNA CONSTRUCTION PRODUCTS, SWEDEN

Husqvarna

⚠ WARNING ⚠
Cutters can be dangerous!
For safe operation follow all safety precautions in operator manual.

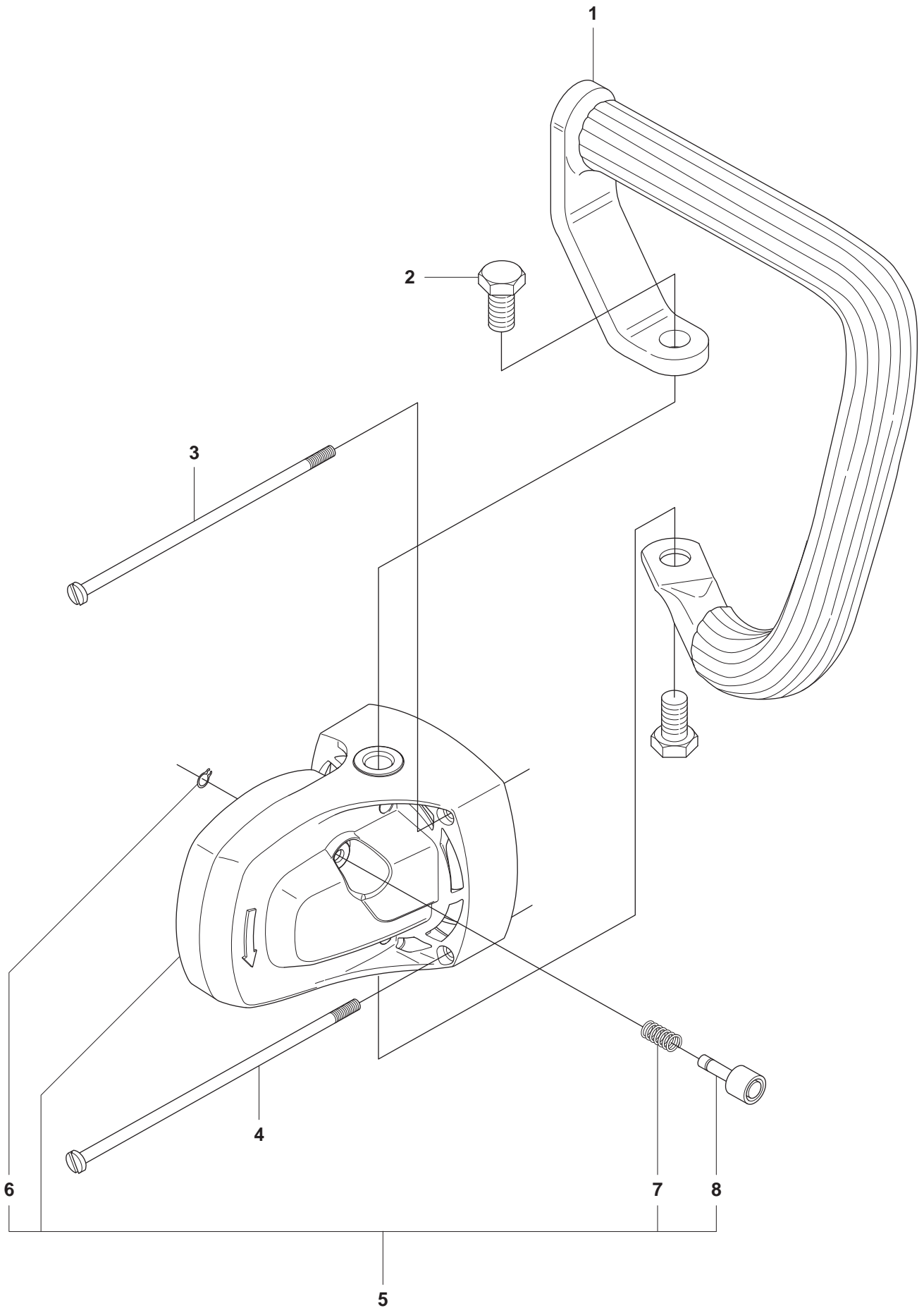
- Only persons who have been instructed in the use of this cutter and who are familiar with all safety precautions in the Operator's Manual shall operate this cutter.
- Operator use can cause serious injury.
- Use only approved or original cutting equipment approved for this application.
- Use personal protective equipment as outlined in the Operator's Manual. Pay special attention to eye protection and hearing mask.
- Do not repeat machines for use on wet cutting.

HUSQVARNA CONSTRUCTION PRODUCTS, SWEDEN

Page D**K3000, K3000 Wet**

| Pos. | Part No. | Description | Quantity | Notes | New Part |
|-------------|-----------------|---------------------|-----------------|--------------|-----------------|
| 1 | 724 12 87-59 | SCREW | 1 | | |
| 2 | 735 21 36-01 | WASHER | 1 | | |
| 3 | 734 11 36-01 | WASHER | 1 | | |
| 4 | 531 03 18-91 | PIPE | 1 | | |
| 5 | 724 12 91-01 | SCREW | 4 | | |
| 6 | 735 11 36-50 | WASHER | 4 | | |
| 7 | 732 21 14-01 | LOCK NUT | 2 | | |
| 8 | 735 11 46-50 | WASHER | 2 | | |
| 9 | 544 90 33-01 | LABEL | 1 | Electric | |
| 9 | 544 90 33-04 | LABEL | 1 | Wet | |
| 10 | 729 57 76-01 | SCREW | 1 | | |
| 11 | 544 90 02-01 | LID | 1 | | |
| 11 | 505 12 24-01 | LID | 1 | Wet | |
| 12 | 544 89 87-01 | MOTOR HOUSING | 1 | | New Part |
| 13 | 544 90 33-02 | LABEL | 1 | | |
| 14 | 505 53 03-11 | SCREW | 1 | | |
| 15 | 544 89 94-01 | LID | 1 | | |
| 16 | 531 03 18-92 | BRUSH ROCKER | 1 | Incl. 17, 18 | |
| 17 | 506 22 58-02 | CARBON BRUSH | 2 | | |
| 18 | 723 22 85-81 | SCREW | 2 | | |
| 19 | 505 53 03-07 | AIR STREAM DIRECTOR | 1 | | |
| 20 | 506 22 53-01 | SCREW | 2 | | |
| 21 | 506 22 51-10 | FIELD COIL | 1 | 100 - 120V | |
| 21 | 506 22 51-20 | FIELD COIL | 1 | 230V | |
| 22 | 544 98 40-01 | LABEL WARNING | 1 | | |
| 23 | 506 38 44-15 | LABEL | 1 | JP | |
| 23 | 506 38 43-14 | LABEL | 1 | USA, UK | |
| 23 | 506 38 43-24 | LABEL | 1 | USA, UK. Wet | |

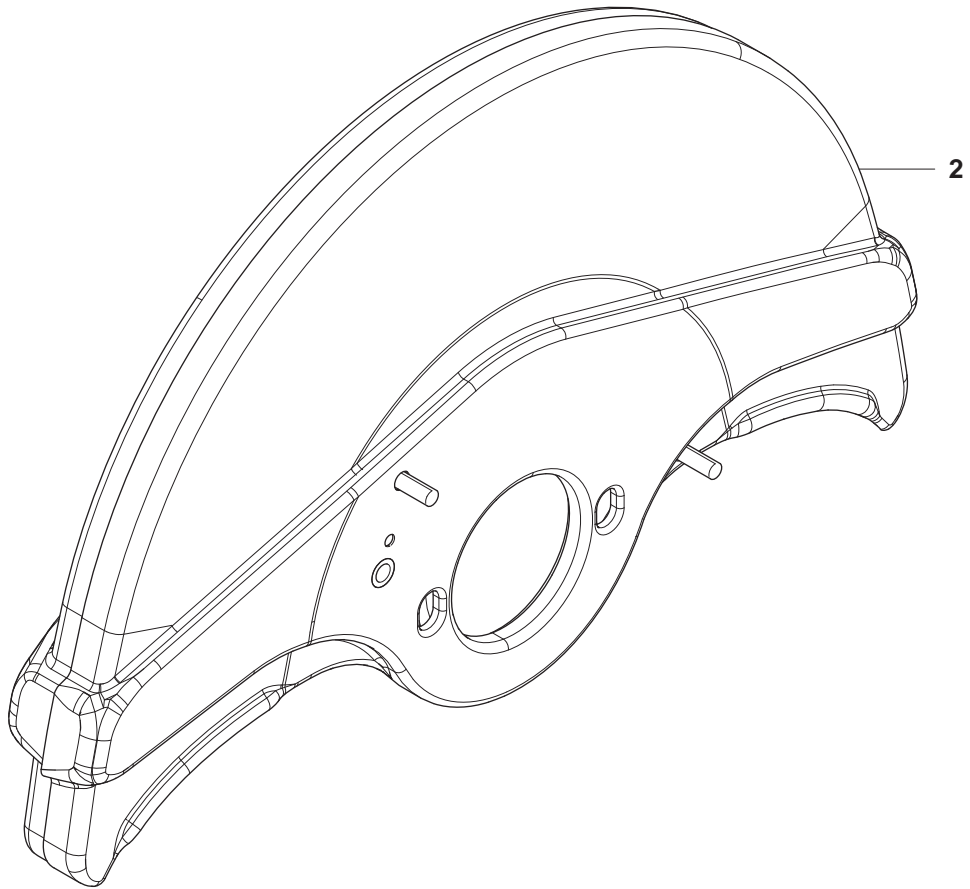
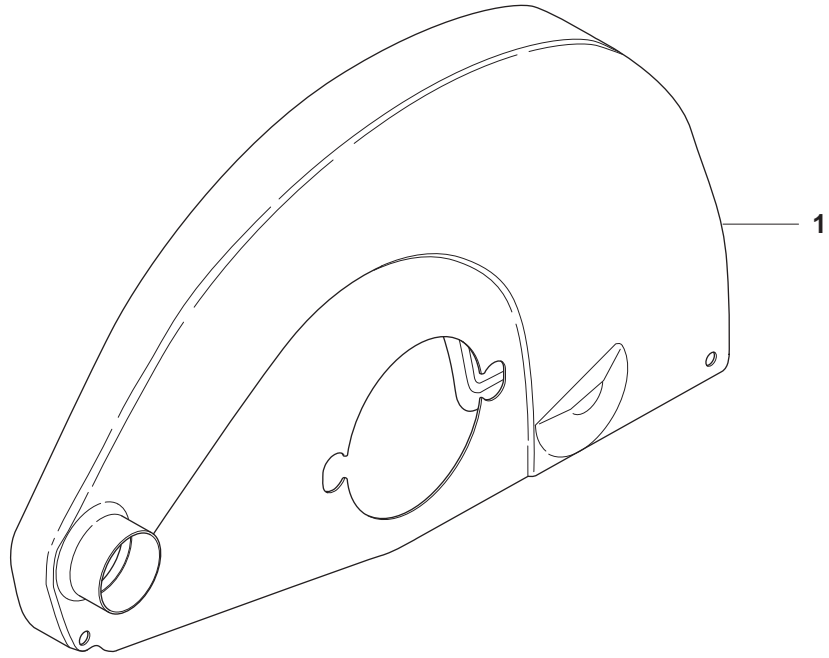
E K3000 12"
K3000 14" WET



Page E**K3000, K3000 Wet**

| Pos. | Part No. | Description | Quantity | Notes | New Part |
|-------------|-----------------|--------------------|-----------------|--------------|-----------------|
| 1 | 506 15 03-03 | HANDLE | 1 | | |
| 2 | 531 03 12-76 | SCREW | 2 | | |
| 3 | 505 53 03-11 | SCREW | 1 | | |
| 4 | 531 03 18-94 | SCREW | 1 | | |
| 5 | 544 40 34-01 | GEAR HOUSING | 1 | Incl. 6 - 8 | |
| 6 | 735 31 08-00 | CIRCLIP | 1 | | |
| 7 | 531 03 18-23 | SPRING | 1 | | |
| 8 | 544 90 47-01 | SHAFT | 1 | | |

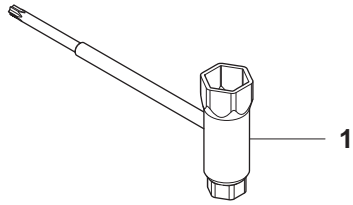
F K3000 12"
K3000 14" WET



Page F
K3000, K3000 Wet

| Pos. | Part No. | Description | Quantity | Notes | New Part |
|-------------|-----------------|--------------------|-----------------|--------------|-----------------|
| 1 | 506 15 00-03 | WHEEL GUARD | 1 | 12" | New Part |
| 2 | 505 41 30-01 | WHEEL GUARD | 1 | 14" Wet | |

G K3000 12"
K3000 14" WET



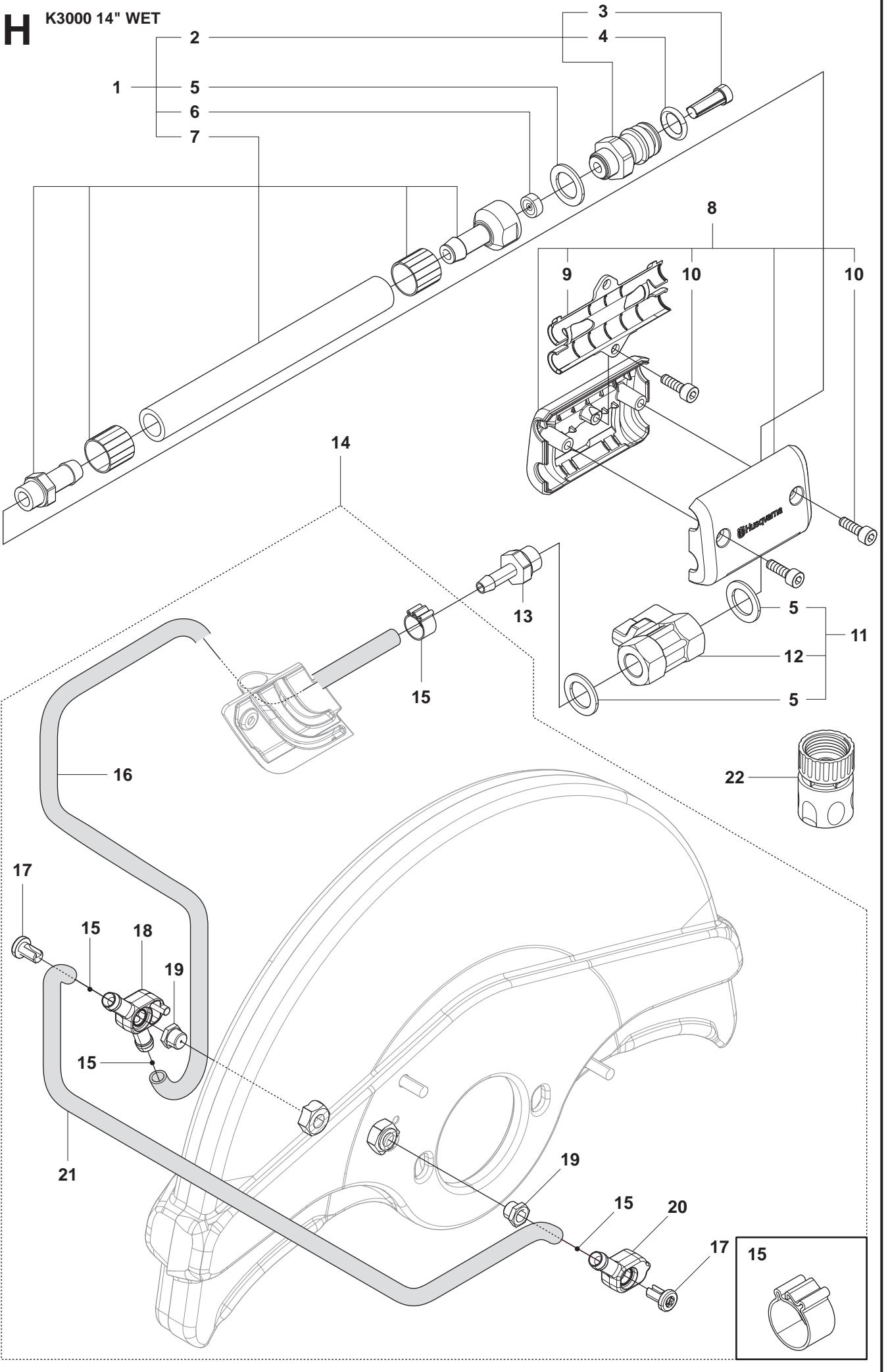
Page G

K3000, K3000 Wet

| Pos. | Part No. | Description | Quantity | Notes | New Part |
|-------------|-----------------|--------------------|-----------------|--------------|-----------------|
| 1 | 506 38 26-01 | COMBINATION TOOL | 1 | | New Part |

H

K3000 14" WET



Page H**K3000, K3000 Wet**

| Pos. | Part No. | Description | Quantity | Notes | New Part |
|-------------|-----------------|-------------------------|-----------------|----------------|-----------------|
| 1 | 502 30 44-04 | HOSE ASSY | 1 | Incl. 2, 5 - 7 | |
| 2 | 510 11 20-01 | NIPPLE | 1 | Incl. 3, 4 | |
| 3 | 506 29 88-01 | FILTER | 1 | | |
| 4 | 505 10 35-01 | O-RING | 1 | | |
| 5 | 531 07 42-60 | FIBRE WASHER | 3 | | |
| 6 | 506 48 61-01 | FLOW CONTROL | 1 | | |
| 7 | 510 11 39-01 | HOSE ASSY | 1 | | |
| 8 | 522 94 51-01 | VALVE HOUSING K3000 WET | 1 | Incl. 9 - 10 | New Part |
| 9 | 510 18 75-01 | INSERT | 1 | | New Part |
| 10 | 504 90 94-01 | SCREW | 3 | | New Part |
| 11 | 510 19 59-01 | VALVE KIT | 1 | Incl. 5, 12 | New Part |
| 12 | 502 61 70-01 | VALVE | 1 | | |
| 13 | 505 35 32-01 | NIPPLE | 1 | | |
| 14 | 505 09 54-02 | HOSE KIT | 1 | Incl. 15 - 21 | |
| 15 | 506 49 87-01 | HOSE CLAMP | 4 | | |
| 16 | 506 60 68-08 | HOSE | 1 | 720 mm | |
| 17 | 504 63 46-01 | SCREW | 2 | | |
| 18 | 505 11 55-01 | HOUSING | 1 | | |
| 19 | 504 63 42-01 | NIPPLE | 2 | | |
| 20 | 504 63 45-01 | HOUSING | 1 | | |
| 21 | 506 60 68-07 | HOSE | 1 | 300 mm | |
| 22 | 503 26 60-03 | COUPLER | 1 | USA | |
| 22 | 503 26 60-04 | COUPLER | 1 | | |