

K760 Cut-n-Break

Reservdelar

Spare parts

Ersatzteile

Pieces de rechange

Piezas de repuesto

Ricambi

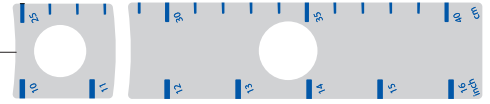
Peças sobresselente

No.	Pos.	Description	No.	Pos.	Description
501 00 88-01	B	SCREW	506 25 30-01	J	COMPRESSION SPRING
501 00 88-02	B	SCREW ASSY	506 25 59-03	F	TANK CAP ASSY
501 27 08-01	C	GUIDE BUSHING	506 25 81-02	J	STARTER PULLEY
501 37 13-01	F	LID	506 25 89-01	J	RECOIL SPRING
501 37 56-01	K	FLYWHEEL	506 26 22-02	G	WHEEL
501 48 54-02	K	SPARK PLUG CAP	506 26 31-01	J	SPACING SLEEVE
501 63 48-01	K	SPRING	506 26 41-01	F	FUEL FILTER
501 67 32-03	K	PAWL	506 26 41-11	F	FUEL FILTER
501 98 10-20	J	SCREW	506 27 11-01	F	HOSE CLAMP
502 28 92-03	C	DRIVING PULLEY ASSY	506 29 21-01	F	GASKET
502 29 50-02	E	CRANKSHAFT ASSY	506 29 88-01	H	FILTER
503 12 79-01	J	STARTER HANDLE	506 31 30-01	F	LABEL
503 16 40-01	F	TANK VENT	506 31 69-01	C	DUST COVER
503 20 34-19	C	SCREW	506 31 86-02	F	STOP SWITCH
503 21 27-16	G	SCREW	506 31 86-02	K	STOP SWITCH
503 21 28-10	AFJK	SCREW	506 33 56-15	J	STARTER CORD
503 21 45-16	F	SCREW	506 33 56-50	J	STARTER CORD
503 21 46-01	G	SCREW	506 35 27-02	A	PROTECTIVE SPRING
503 21 53-10	AHM	SCREW	506 36 42-04	D	MUFFLER
503 21 53-16	CDG	SCREW	506 36 88-01	D	BRACKET
503 21 53-20	KM	SCREW	506 36 97-01	M	INLET PIPE
503 21 53-21	L	SCREW	506 36 98-01	M	INLET PIPE
503 21 53-25	D	SCREW	506 37 02-01	L	COVER
503 21 53-40	DH	SCREW	506 37 04-01	L	BELLOWS
503 21 53-41	C	SCREW	506 37 05-01	M	FLANGE INLET PIPE
503 21 53-56	DGM	SCREW	506 37 06-01	M	FLANGE INLET PIPE
503 21 54-20	FH	SCREW	506 37 11-03	H	FRONT HANDLE
503 22 10-11	K	NUT	506 37 13-01	F	THROTTLE ROD
503 22 65-04	CDFM	NUT	506 37 19-02	F	BASE PLATE
503 23 00-42	K	WASHER STEEL	506 37 20-03	F	THROTTLE TRIGGER
503 23 00-70	C	WASHER	506 37 24-01	D	PISTON ASSY
503 23 01-01	K	WASHER STEEL	506 37 27-02	A	BELT
503 23 04-01	C	WASHER	506 37 58-02	D	COOLING PLATE
503 23 04-02	D	WASHER	506 37 67-01	CDMP	GASKET CYLINDER BASE
503 23 04-03	B	WASHER	506 37 68-03	CDMP	GASKET CARBURETTOR
503 23 51-09	K	SPARK PLUG	506 37 69-02	CDMP	GASKET MUFFLER
503 25 56-01	DE	NEEDLE BEARING	506 37 69-02	CDMP	GASKET MUFFLER
503 26 02-04	CDMP	SEALING RING	506 37 70-03	CDMP	GASKET CRANCASE
503 26 30-08	A	O-RING	506 37 72-02	H	SPRING RETAINER
503 26 60-03	H	COUPLING	506 37 80-01	F	GROMMET
503 26 60-04	H	COUPLING	506 37 84-02	K	CABLE
503 28 90-47	D	PISTON RING	506 37 85-01	K	CABLE
503 40 06-09	M	IMPULSE HOSE	506 37 95-01	F	SPRING
503 47 96-01	N	SCREW	506 38 15-01	F	HEAT SHIELD
503 48 00-01	N	PIN RETAINING SCREW	506 38 26-01	P	COMBINATION TOOL
503 48 11-01	N	PIECE	506 38 53-05	CDMP	GASKET KIT
503 48 18-01	N	SCREW	506 38 60-05	H	VALVE ASSY
503 53 56-01	N	PLUG WELCH	506 38 65-08	F	FUEL TANK
503 53 57-01	N	STRAINER	506 38 65-12	F	FUEL TANK
503 55 22-01	D	PLUG	506 38 66-01	F	TANK VENT ASSY
503 57 89-01	F	TANK CAP HOLDER	506 38 67-02	F	GROUND SUPPORT
503 61 66-01	N	GASKET PUMP	506 38 71-02	H	STOP
503 71 53-01	D	DECOMPRESSION VALVE	506 38 78-34	K	IGNITION CABLE
503 74 43-01	C	CLUTCH SPRING	506 39 46-02	F	CAP
503 74 44-06	C	CLUTCH ASSY	506 39 54-01	N	COLLAR
503 84 61-01	C	BUFFER	506 39 55-01	N	COVER
503 93 66-01	F	PRIMER HOUSING	506 39 56-01	N	COVER
504 35 72-01	F	SINTER PLUG	506 39 57-01	N	DIAPHRAGM ASSY
504 87 52-01	A	SEALING	506 39 58-01	N	GASKET
504 90 94-10	C	SCREW	506 39 60-01	N	DIAPHRAGM PUMP
505 09 55-03	H	HOSE KIT	506 39 61-01	N	NOZZLE ASSY
505 10 35-01	H	O-RING	506 39 62-01	N	GASKET
505 19 52-01	F	FUEL HOSE	506 39 64-01	N	QUAD RING
505 22 09-37	C	BAR BOLT	506 39 65-01	N	ROD
505 25 96-01	D	MUFFLER MOUNTING KIT	506 39 66-01	N	SCREW
505 27 75-16	K	ISOLERHATT	506 39 69-01	N	SCREW
505 42 45-01	D	VIB.INSULATOR	506 39 70-01	N	SCREW
506 00 69-01	K	SCREW	506 39 71-01	N	SHAFT ASSY
506 09 56-05	A	HOSE CLAMP	506 39 72-01	N	SCREW
506 22 28-02	F	THROTTLE LOCKOUT	506 39 73-01	N	SHAFT ASSY CHOKE

No.	Pos.	Description	No.	Pos.	Description
506 39 74-01	N	SHAFT ASSY	544 03 21-01	G	SPRAY GUARD
506 39 75-01	N	SPRING	544 03 22-01	G	PLATE
506 39 78-01	N	VALVE	544 03 92-01	G	BUSHING
506 39 79-01	N	WASHER	544 04 17-01	A	HOSE
506 39 84-05	L	CYLINDER COVER ASSY	544 06 12-01	DFH	SCREW
506 39 90-01	N	O-RING	544 08 21-01	N	SCREW
506 39 91-01	N	PLUG	544 08 22-01	N	SCREW
506 40 24-01	B	CENTER NUT	544 10 37-03	A	BAR ASSY
506 40 25-02	B	SCREW	544 10 50-04	A	HOSE ASSY
506 40 26-01	C	SCREW	544 10 59-01	A	BEARING
506 40 28-02	A	BEARING CAGE	544 17 80-02	P	TOOL
506 40 29-02	A	BUSHING	544 17 81-01	P	PULLER
506 40 33-01	C	BELT TENSIONER	544 21 93-02	CDMP	INSERT
506 40 37-01	G	BUSHING	544 22 90-02	F	CHOKE CONTROL
506 40 46-02	A	WEAR PROTECTION	544 23 82-01	F	BAND
506 40 51-01	A	STOP	544 26 53-01	B	WASHER
506 40 53-01	A	BAR PLATE	544 32 50-03	F	FUEL HOSE
506 40 55-02	A	BELT GUARD	544 35 26-01	M	PLATE
506 40 56-01	A	DEFLECTION LIMITER	544 37 44-02	A	LABEL
506 40 56-02	A	DEFLECTION LIMITER	544 38 39-01	J	AIR CONDUCTOR
506 40 57-02	A	GROMMET	544 39 32-01	F	HOSE CLIP
506 40 60-01	G	SPRING	544 83 64-01	N	PUMP COVER
506 40 61-01	A	SPRING	544 83 65-01	N	SPRING
506 40 61-02	A	SPRING	544 89 09-02	L	LABEL
506 40 63-02	G	SPRAY GUARD	574 23 14-01	L	DECAL
506 40 64-03	A	BELT GUARD	574 23 14-02	L	DECAL
506 40 65-02	A	BLADE GUARD	574 23 16-01	L	DECAL
506 40 98-02	A	NIPPLE	574 23 16-02	L	DECAL
506 40 99-01	N	GASKET KIT	574 23 16-03	L	DECAL
506 41 00-03	N	GASKET KIT CARB	574 24 09-01	C	PAWL
506 41 23-01	CDMP	GASKET	574 36 20-01	J	STARTER
506 49 87-02	H	HOSE CLAMP	574 36 21-01	L	FILTER HOLDER ASSY
510 00 08-01	J	SEALING HOLDER	574 36 23-01	M	FILTER
510 00 72-01	G	SPRAY GUARD UPPER	574 47 48-02	C	CRANK CASE ASSY
510 00 73-01	G	GUIDE PIECE	574 48 96-01	C	LABEL
510 05 66-01	G	SPRAY GUARD ASSY	574 83 62-01	B	CUTTING BLADE
510 11 56-02	K	IGNITION MODULE	574 83 62-02	B	CUTTING BLADE
510 18 12-02	MN	CARBURETTOR	574 83 62-03	B	CUTTING BLADE
510 20 20-01	G	WASHER	575 27 99-01	A	CUTTER ARM
510 20 24-01	G	BAND	575 30 31-01	H	HOSE ASSY
510 26 92-22	J	SCREW	575 33 81-01	C	BELT TENSIONER ASSY
520 75 73-04	D	CYLINDER ASSY	575 34 85-01	G	SPRAY GUARD ASSY
522 03 81-01	G	LABEL	575 35 13-01	H	HANDLE
522 47 48-01	C	WASHER	575 35 40-01	M	CARBURETTOR BRACKET
522 47 57-01	C	SPRING RETAINER	575 44 13-01	N	SPRING
522 60 75-01	N	VALVE	575 51 62-01	H	HOSE ASSY
522 83 23-01	H	GROUND SUPPORT	720 12 40-20	F	PARALLEL PIN
522 83 24-01	H	GROUND SUPPORT	724 12 84-01	A	SCREW
525 44 43-01	L	FILTER COVER	731 23 18-01	C	NUT
525 44 60-01	J	STARTER COVER	732 21 14-01	G	LOCK NUT
525 47 06-01	M	AIR FILTER PAPER	734 48 80-01	G	WASHER
525 56 45-01	A	BELT COVER	735 31 08-20	C	CIRCLIP
525 57 11-01	J	LABEL	735 31 10-41	B	CIRCLIP
525 58 43-01	L	AIR NOZZLE	737 43 12-00	D	CIRCLIP
525 61 70-02	L	SEALING	738 22 02-25	CE	BALL BEARING
525 62 39-01	C	CLUTCH COVER	740 42 05-00	G	O-RING
525 73 98-01	G	HOLDER	740 43 13-00	J	O-RING
525 76 35-02	L	DECAL			
525 83 18-01	C	BALL BEARING			
537 01 25-01	N	BALL			
537 01 26-01	N	SPRING			
537 04 24-14	F	FUEL HOSE			
537 17 62-01	N	VALVE			
537 17 64-01	N	LEVER			
537 17 70-01	N	VALVE			
537 17 78-01	N	PLUG			
537 20 33-01	E	CUP			
537 21 03-07	F	VIBRATION ABSORBER			
537 38 51-01	N	SCREW			
537 38 52-01	N	E-CLIP			

A**K760 Cut-n-Break**

29



1

2

9

10

11

12

13

3

4

5

6

7

8

14

15

17

18

19

20

16

21

22

23

10

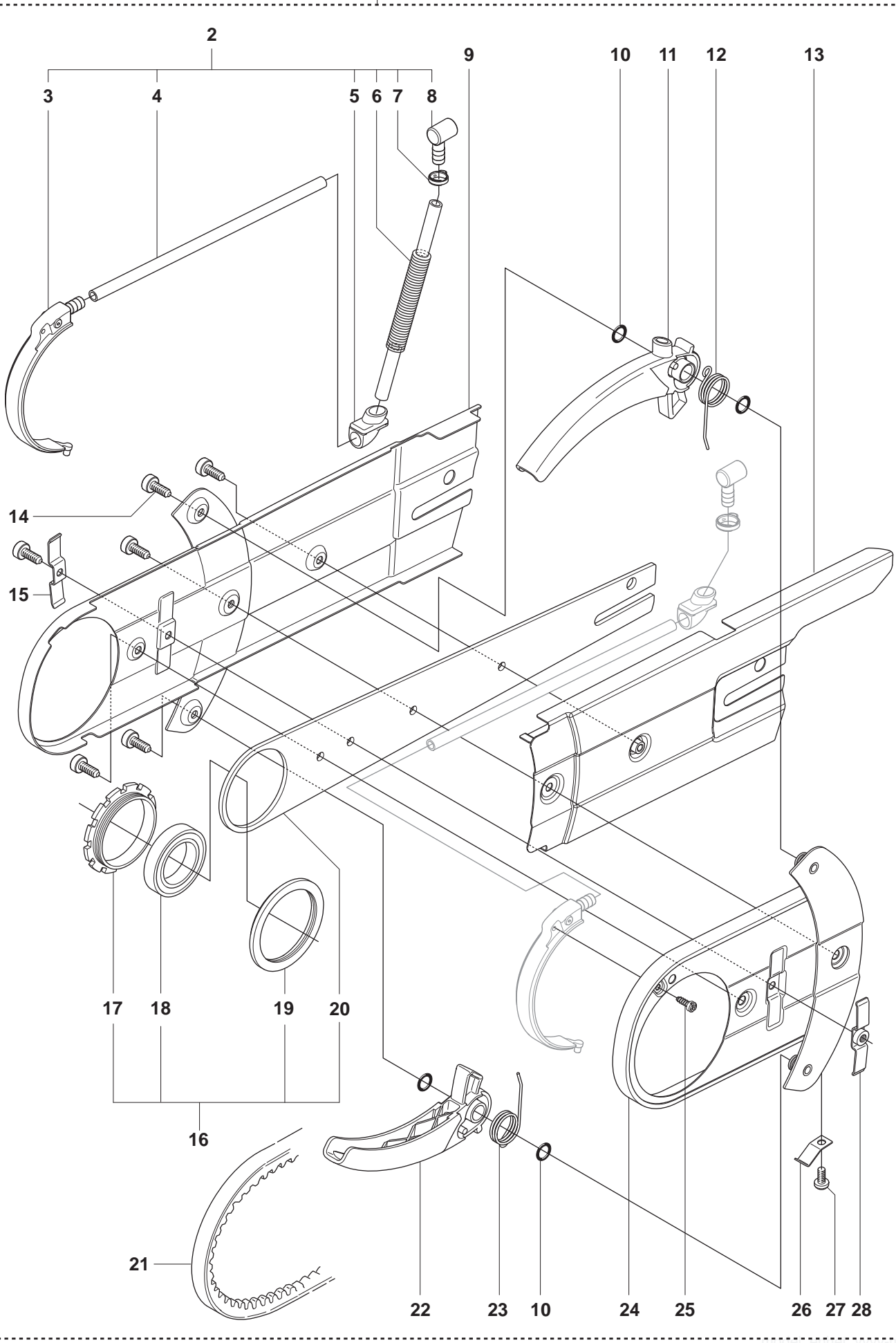
24

25

26

27

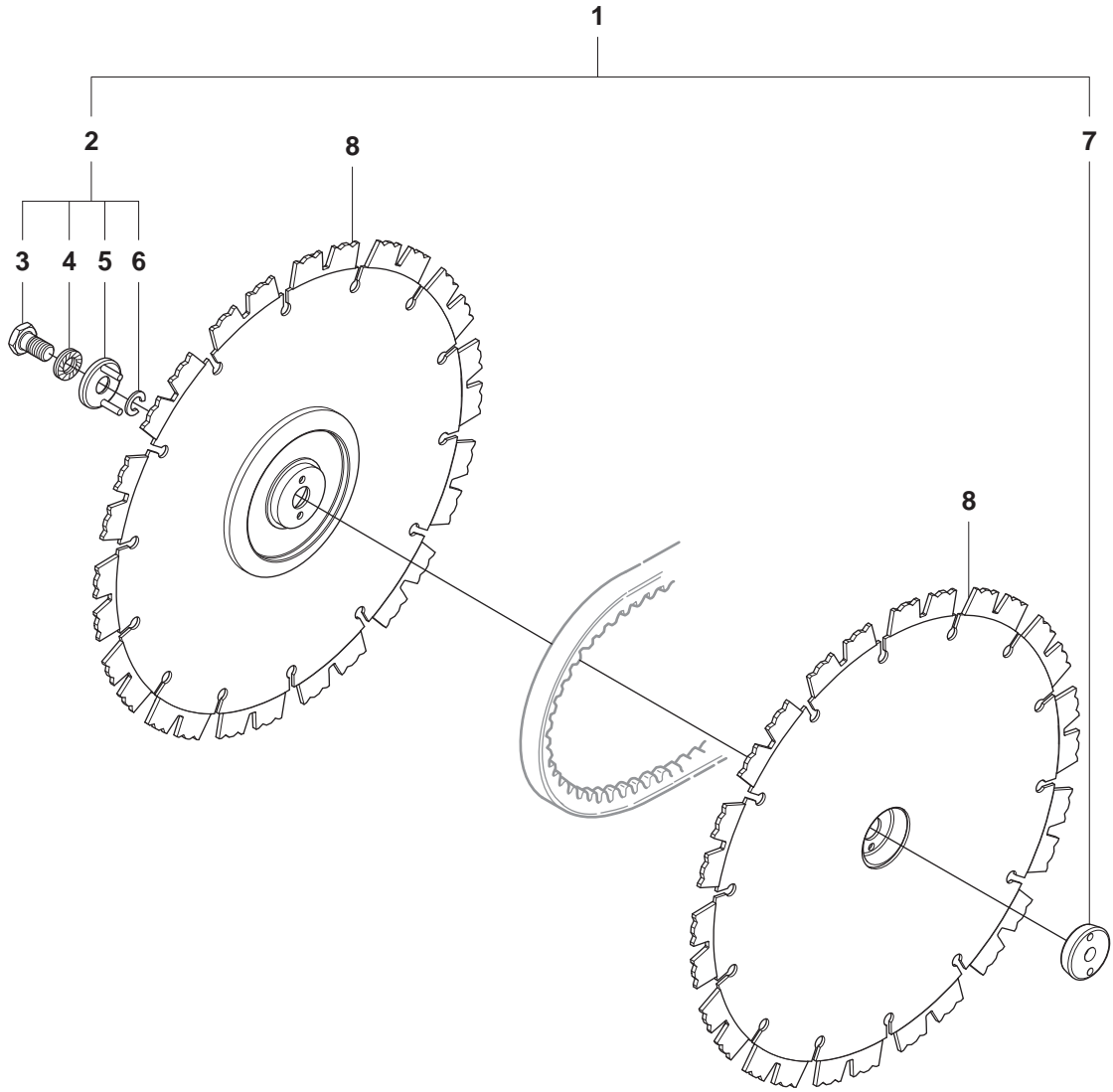
28



Page A**K760 Cut-N-Break**

Pos.	Part No.	Description	Quantity	Notes	New Part
1	575 27 99-01	CUTTER ARM	1	Incl. 2, 9 - 16, 21 - 28	
2	544 10 50-04	HOSE ASSY	1	Incl. 3 - 8	
3	504 87 52-01	SEALING	1		
4	544 04 17-01	HOSE	1		
5	506 40 57-02	GROMMET	1		
6	506 35 27-02	PROTECTIVE SPRING	1		
7	506 09 56-05	HOSE CLAMP	1		
8	506 40 98-02	NIPPLE	1		
9	506 40 55-02	BELT GUARD	1		
10	503 26 30-08	O-RING	2		
11	506 40 64-03	BELT GUARD	1		
12	506 40 61-01	SPRING	1		
13	525 56 45-01	BELT COVER	1		
14	503 21 53-10	SCREW	6		
15	506 40 56-01	DEFLECTION LIMITER	1		
16	544 10 37-03	BAR ASSY	1	Incl. 17 - 20	
17	506 40 28-02	BEARING CAGE	1		
18	544 10 59-01	BEARING	1		
19	506 40 29-02	BUSHING	1		
20	506 40 53-01	BAR PLATE	1		
21	506 37 27-02	BELT	1		
22	506 40 65-02	BLADE GUARD	1		
23	506 40 61-02	SPRING	1		
24	506 40 46-02	WEAR PROTECTION	1		
25	503 21 28-10	SCREW	1		
26	506 40 51-01	STOP	1		
27	724 12 84-01	SCREW	1		
28	506 40 56-02	DEFLECTION LIMITER	1		
29	544 37 44-02	LABEL	1		

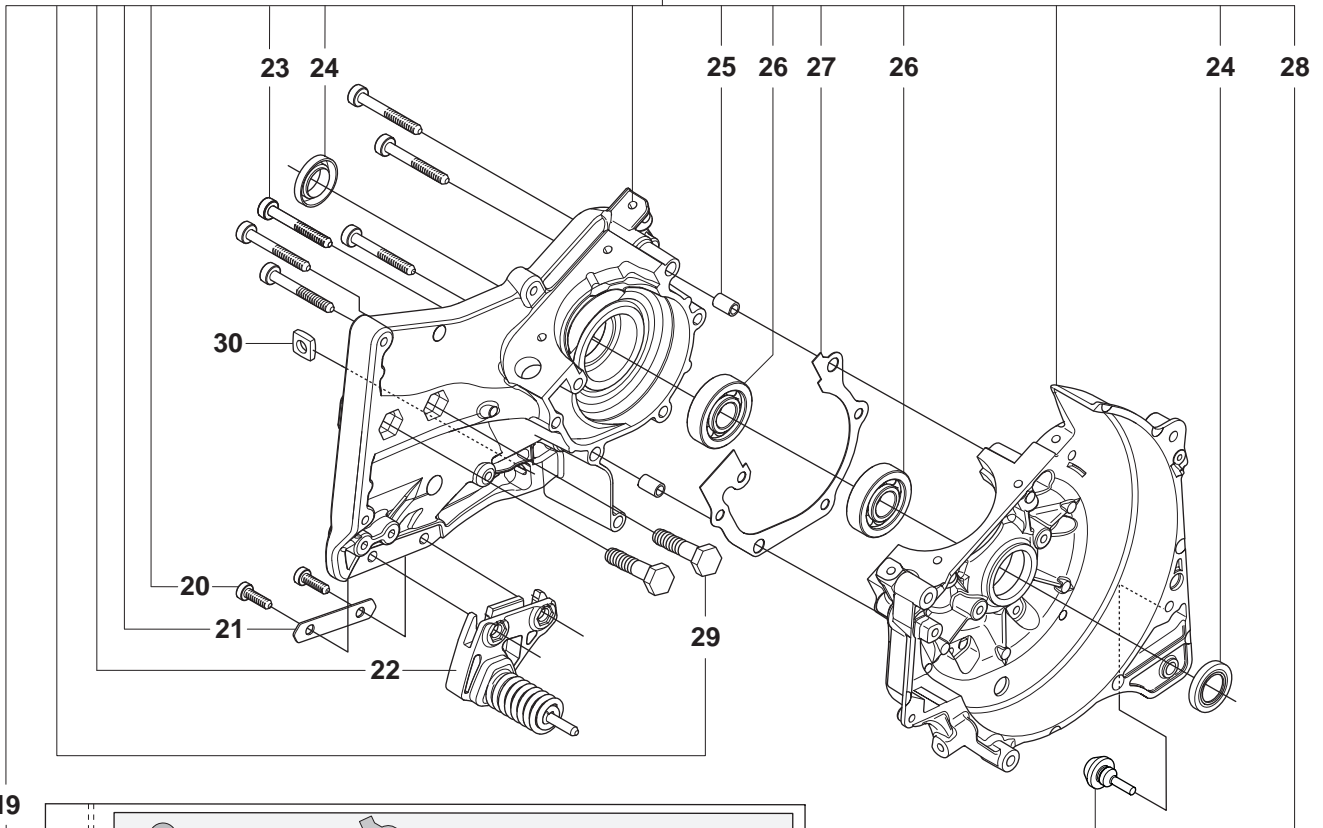
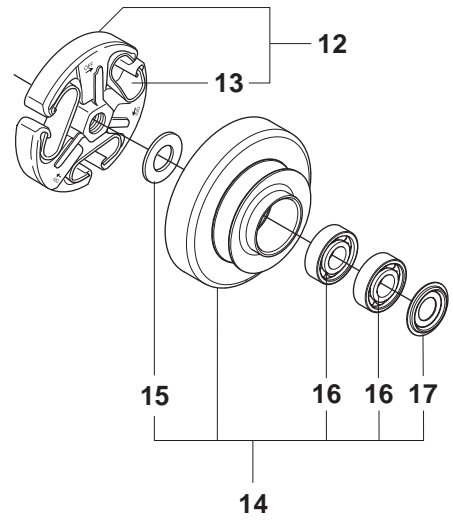
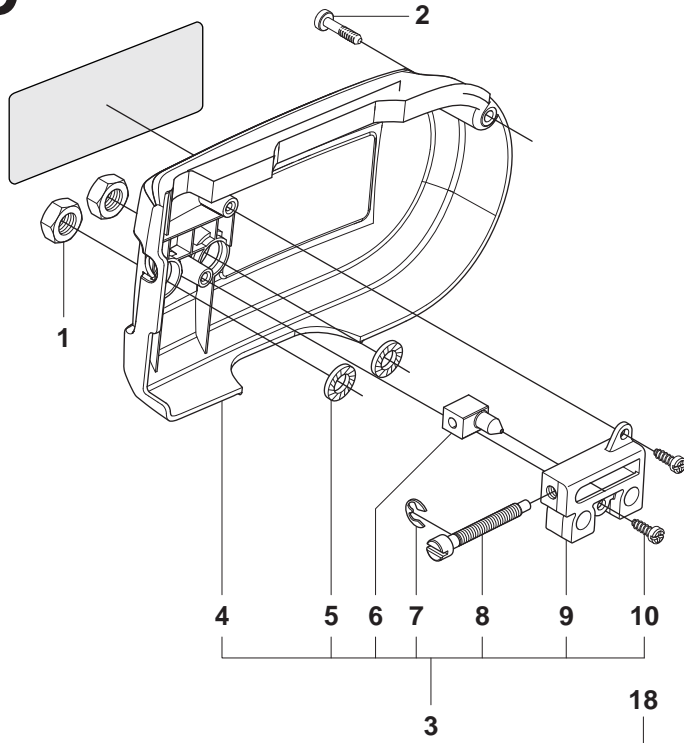
B K760 Cut-n-Break



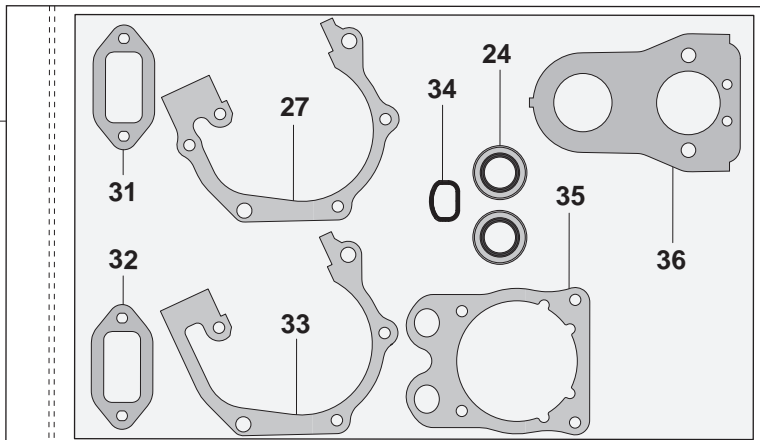
Page B**K760 Cut-N-Break**

Pos.	Part No.	Description	Quantity	Notes	New Part
1	501 00 88-02	SCREW ASSY	1	Incl. 2, 7	
2	501 00 88-01	SCREW	1		
3	506 40 25-02	SCREW	1		
4	503 23 04-03	WASHER	1		
5	544 26 53-01	WASHER	1		
6	735 31 10-41	CIRCLIP	1		
7	506 40 24-01	CENTER NUT	1		
8	574 83 62-01	CUTTING BLADE	2	EL10 CnB Soft	
8	574 83 62-02	CUTTING BLADE	2	EL35 CnB Medium	
8	574 83 62-03	CUTTING BLADE	2	EL70 CnB Hard	

C K760 Cut-n-Break



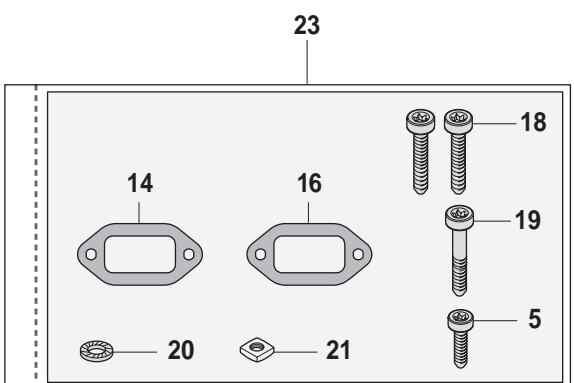
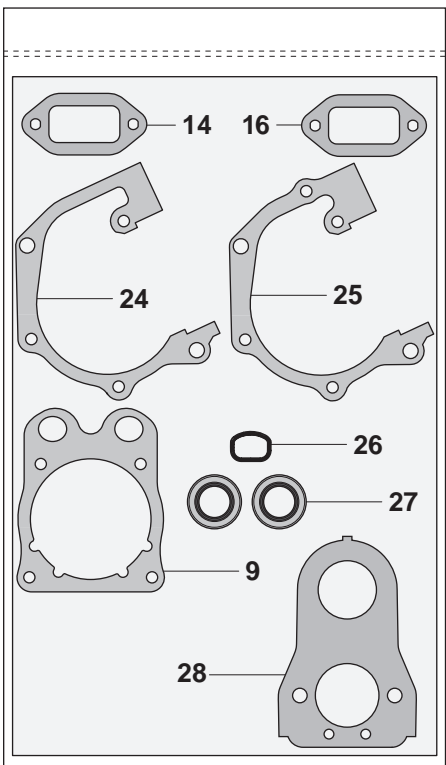
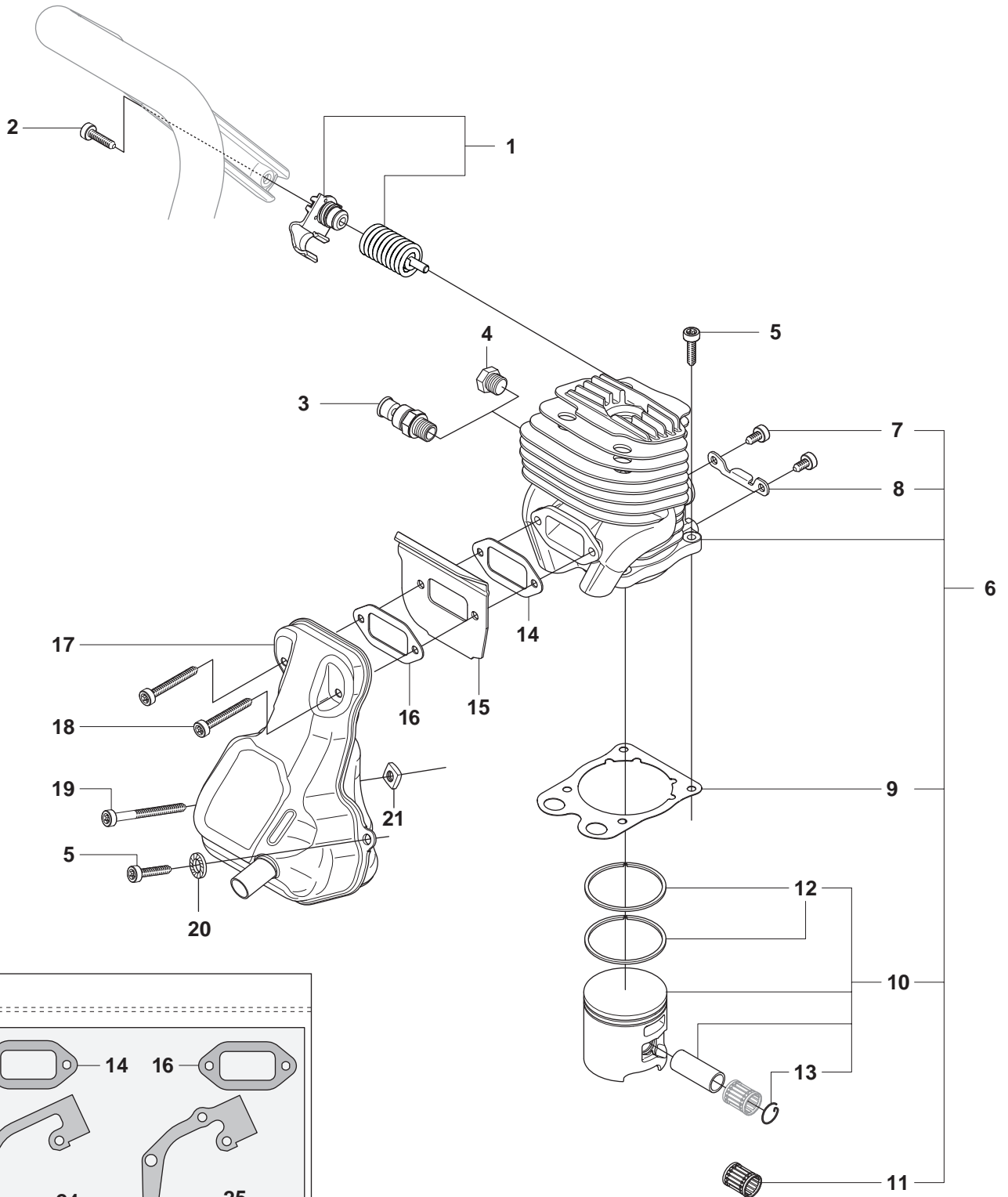
19



Page C**K760 Cut-N-Break**

Pos.	Part No.	Description	Quantity	Notes	New Part
1	731 23 18-01	NUT	2		
2	503 20 34-19	SCREW	1		
3	575 33 81-01	BELT TENSIONER ASSY	1	Incl. 4 - 10	
4	525 62 39-01	CLUTCH COVER	1		
5	503 23 04-01	WASHER	2		
6	574 24 09-01	PAWL	1		
7	735 31 08-20	CIRCLIP	1		
8	506 40 26-01	SCREW	1		
9	506 40 33-01	BELT TENSIONER	1		
10	504 90 94-10	SCREW	2		
11	574 48 96-01	LABEL	1		
12	503 74 44-06	CLUTCH ASSY	1	Incl. 13	
13	503 74 43-01	CLUTCH SPRING	1		
14	502 28 92-03	DRIVING PULLEY ASSY	1	Incl. 15 - 17	
15	503 23 00-70	WASHER	1		
16	525 83 18-01	BALL BEARING	2		
17	506 31 69-01	DUST COVER	1		
18	574 47 48-02	CRANK CASE ASSY	1	Incl. 19 - 29	
19	506 38 53-05	GASKET KIT	1	Incl. 24, 27, 30 - 35	
20	503 21 53-16	SCREW	2		
21	522 47 48-01	WASHER	1		
22	522 47 57-01	SPRING RETAINER	1		
23	503 21 53-41	SCREW	6		
24	503 26 02-04	SEALING RING	2		
25	501 27 08-01	GUIDE BUSHING	2		
26	738 22 02-25	BALL BEARING	2		
27	506 37 70-02	GASKET CRANKCASE	1		
28	503 84 61-01	BUFFER	1		
29	505 22 09-37	BAR BOLT	2		
30	503 22 65-04	NUT	1		
31	506 41 23-01	GASKET	1		
32	506 37 69-02	GASKET MUFFLER	1		
33	506 37 70-03	GASKET CRANKCASE	1		
34	544 21 93-02	INSERT	1		
35	506 37 67-01	CYLINDER BASE GASKET	1		
36	506 37 68-03	GASKET CARBURETTOR	1		

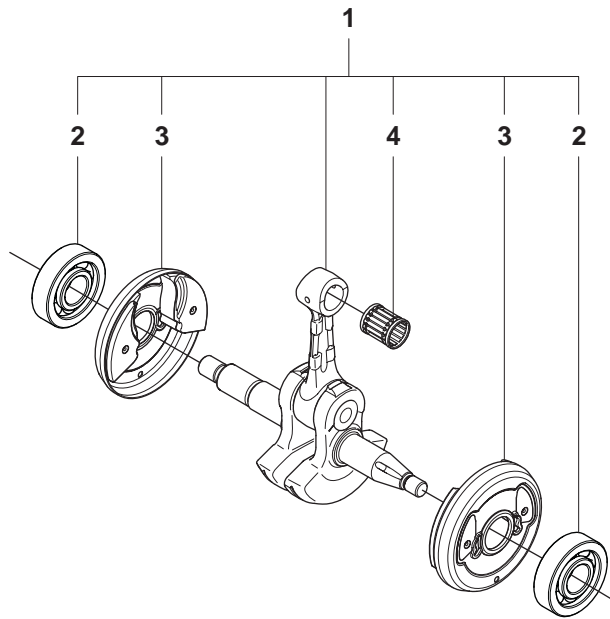
D K760 Cut-n-Break



Page D**K760 Cut-N-Break**

Pos.	Part No.	Description	Quantity	Notes	New Part
1	505 42 45-01	VIB.INSULATOR	1		
2	544 06 12-01	SCREW	1		
3	503 71 53-01	DECOMPRESSION VALVE	1		
4	503 55 22-01	PLUG	1		
5	503 21 53-25	SCREW	5		
6	520 75 73-04	CYLINDER ASSY	1	Incl. 7 - 11	
7	503 21 53-16	SCREW	2		
8	506 36 88-01	BRACKET	1		
9	506 37 67-01	CYLINDER BASE GASKET	1		
10	506 37 24-01	PISTON ASSY	1	Incl. 12 - 13	
11	503 25 56-01	NEEDLE BEARING	1		
12	503 28 90-47	PISTON RING	2		
13	737 43 12-00	CIRCLIP	2		
14	506 41 23-01	GASKET	1		
15	506 37 58-02	COOLING PLATE	1		
16	506 37 69-02	GASKET MUFFLER	1		
17	506 36 42-04	MUFFLER	1		
18	503 21 53-40	SCREW	2		
19	503 21 53-56	SCREW	1		
20	503 23 04-02	WASHER	1		
21	503 22 65-04	NUT	1		
22	506 38 53-05	GASKET KIT	1	Incl. 9, 14, 16, 24 - 28	
23	505 25 96-01	MUFFLER MOUNTING KIT	1	Incl. 5, 14, 16, 18 - 21	
24	506 37 70-02	GASKET CRANKCASE	1		
25	506 37 70-03	GASKET CRANKCASE	1		
26	544 21 93-02	INSERT	1		
27	503 26 02-04	SEALING RING	2		
28	506 37 68-03	GASKET CARBURETTOR	1		

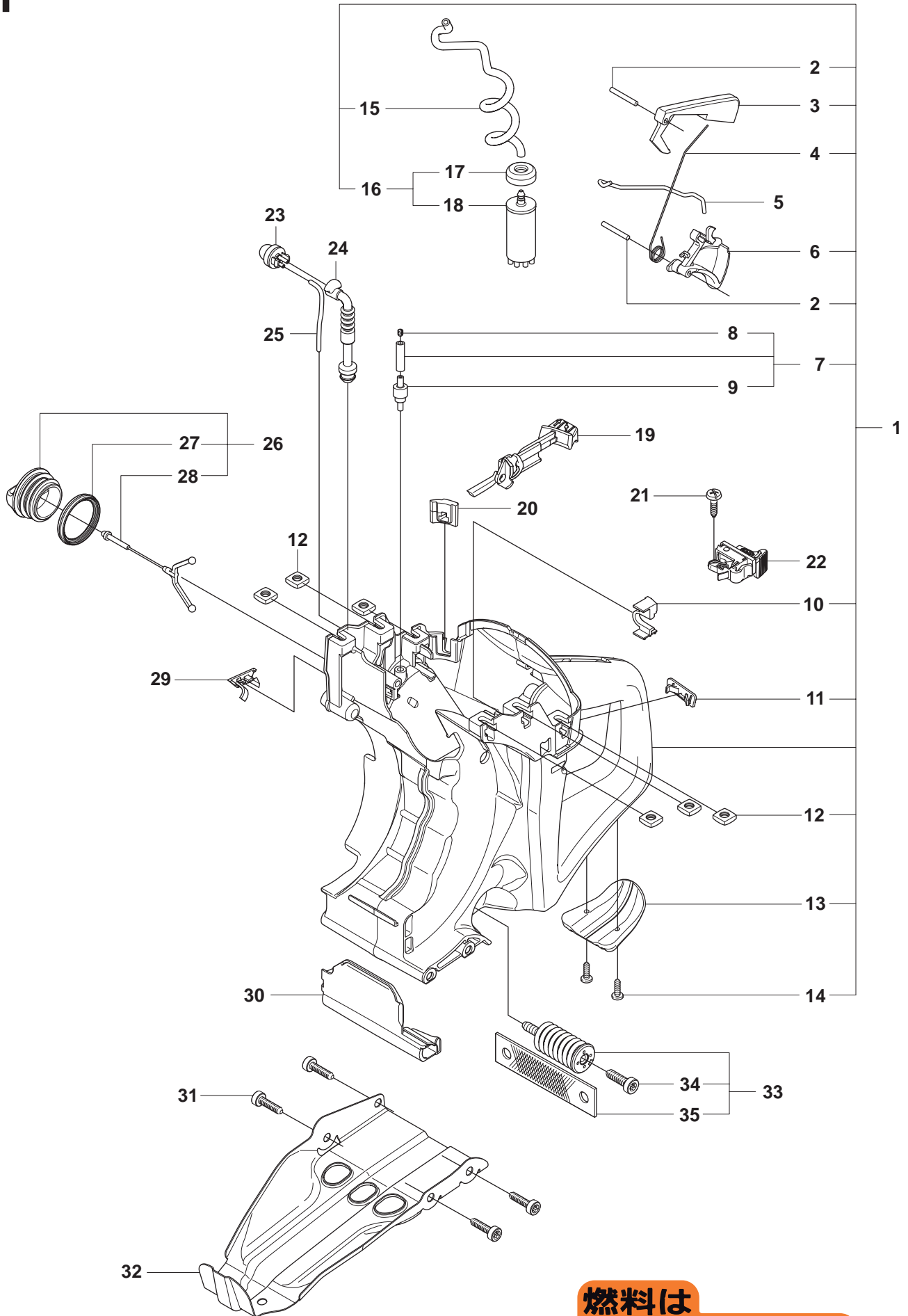
E K760 Cut-n-Break



Page E**K760 Cut-N-Break**

Pos.	Part No.	Description	Quantity	Notes	New Part
1	502 29 50-02	CRANKSHAFT ASSY	1	Incl. 2 - 4	
2	738 22 02-25	BALL BEARING	2		
3	537 20 33-01	CUP	2		
4	503 25 56-01	NEEDLE BEARING	1		

F K760 Cut-n-Break



燃料は

ガソリン

25 : 1

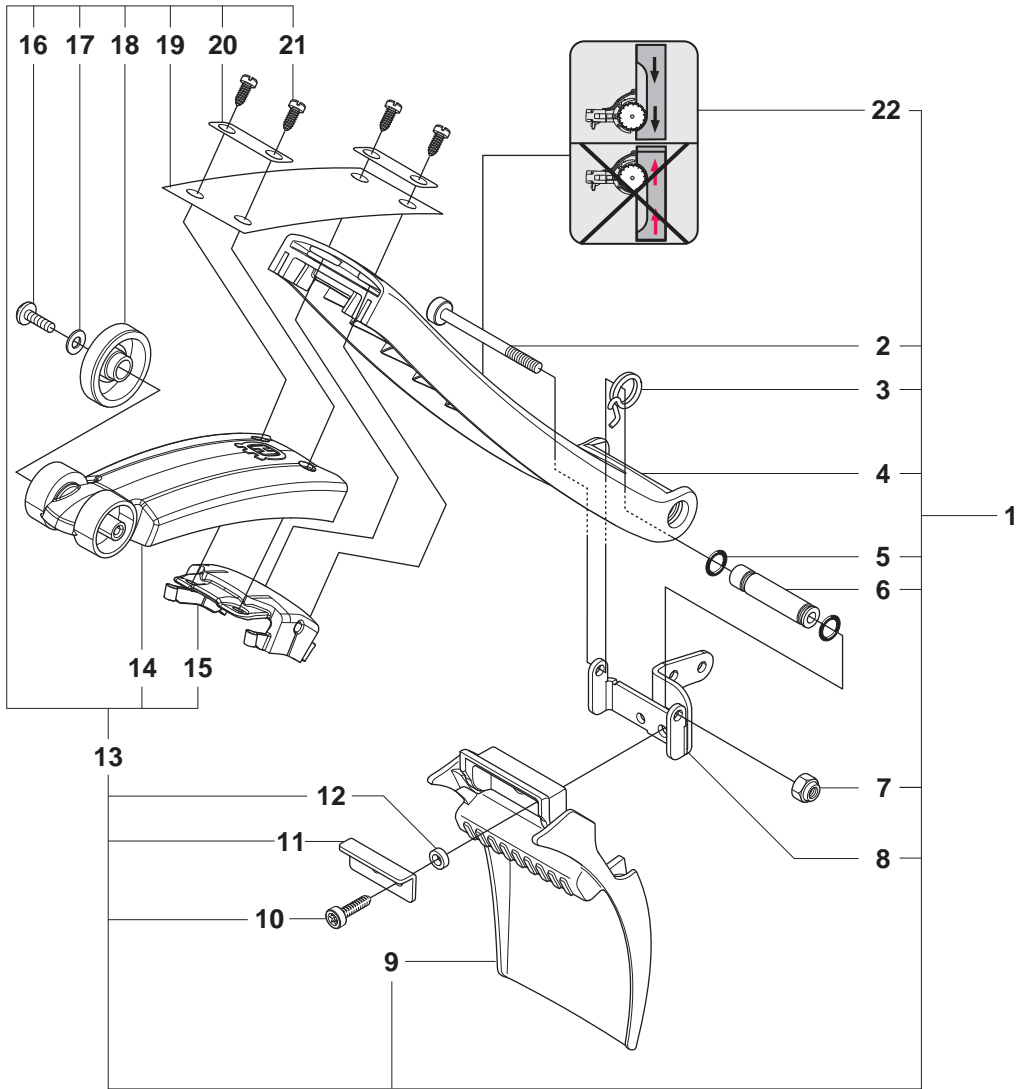
2サイクル専用オイル

36

Page F**K760 Cut-N-Break**

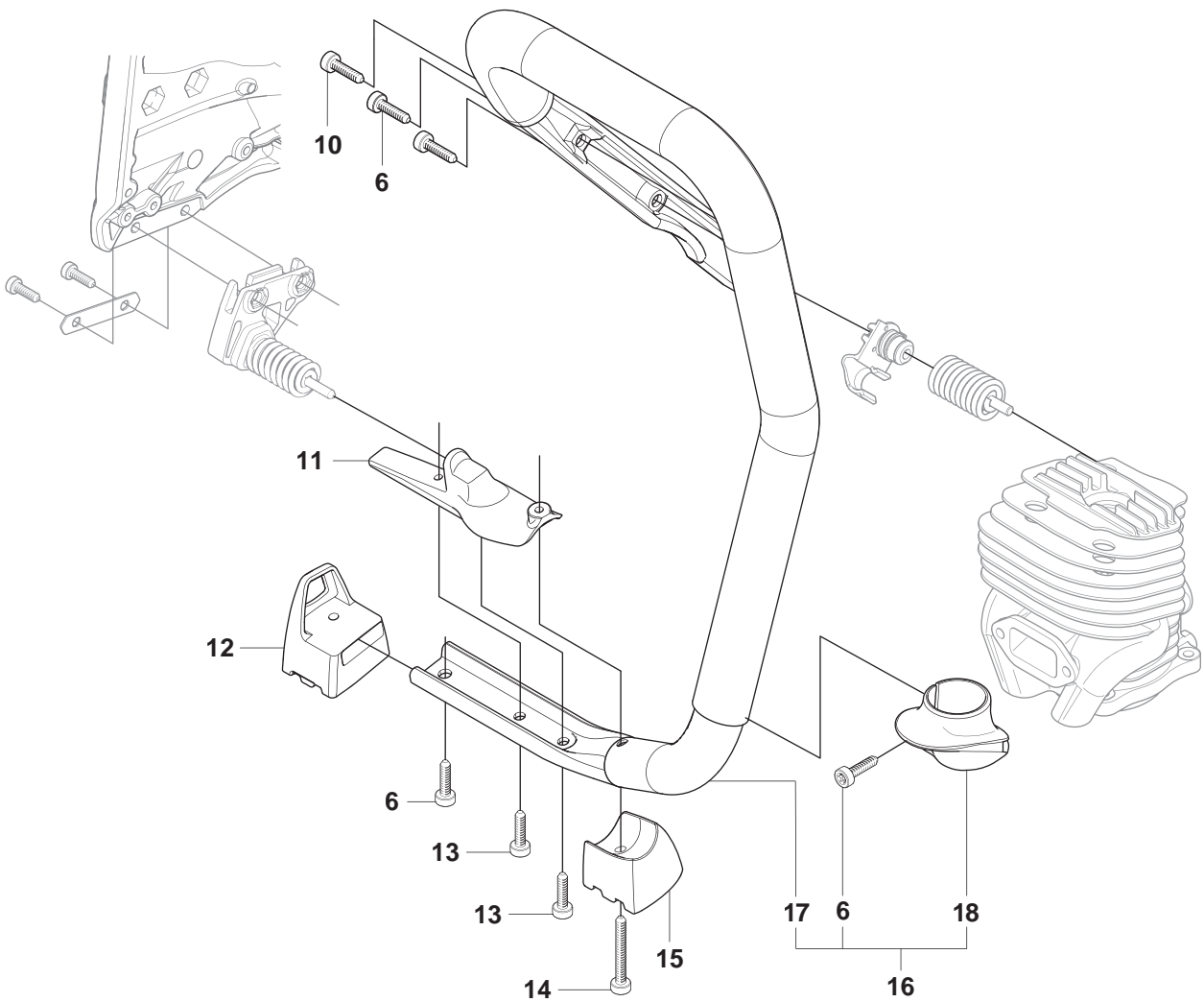
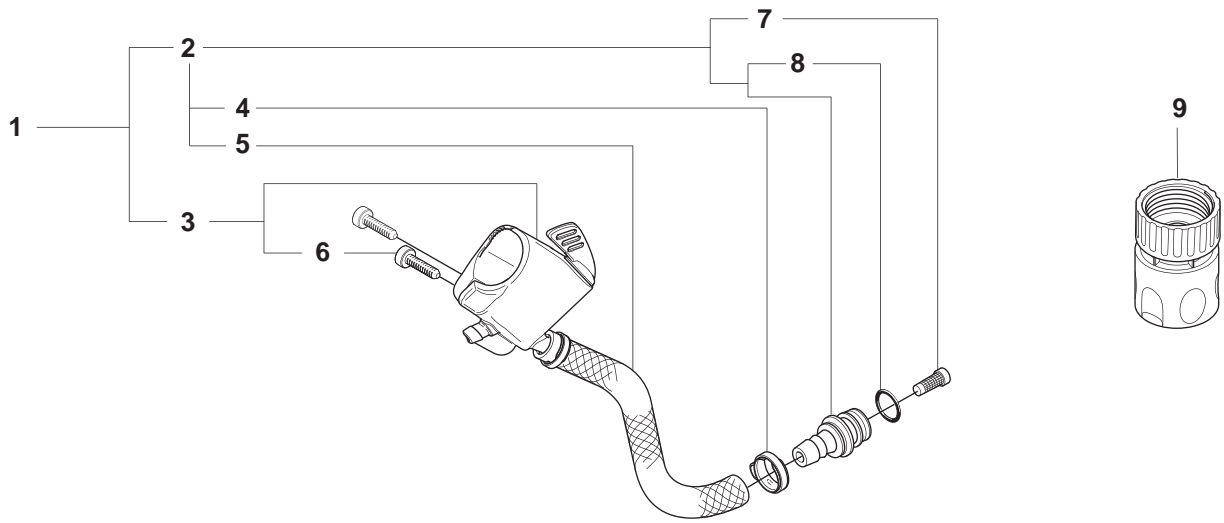
Pos.	Part No.	Description	Quantity	Notes	New Part
1	506 38 65-08	FUEL TANK	1	Incl. 2 - 4, 6 - 7, 10 - 16, Purge	
1	506 38 65-12	FUEL TANK	1	Incl. 2 - 4, 6 - 7, 10 - 16	
2	720 12 40-20	PARALLEL PIN	2		
3	506 22 28-02	THROTTLE LOCKOUT	1		
4	506 37 95-01	SPRING	1		
5	506 37 13-01	THROTTLE ROD	1		
6	506 37 20-03	THROTTLE TRIGGER	1		
7	506 38 66-01	TANK VENT ASSY	1	Incl. 8 - 9	
8	504 35 72-01	SINTER PLUG	1		
9	503 16 40-01	TANK VENT	1		
10	544 39 32-01	HOSE CLIP	1		
11	501 37 13-01	LID	1		
12	503 22 65-04	NUT	6		
13	506 38 67-02	GROUND SUPPORT	1		
14	503 21 45-16	SCREW	2		
15	544 32 50-03	FUEL HOSE	1		
16	506 26 41-11	FUEL FILTER	1	Incl. 17 - 18	
17	506 27 11-01	HOSE CLAMP	1		
18	506 26 41-01	FUEL FILTER	1		
19	544 22 90-02	CHOKE CONTROL	1		
20	506 37 80-01	GROMMET	1		
21	503 21 28-10	SCREW	1		
22	506 31 86-02	STOP SWITCH	1		
23	503 93 66-01	PRIMER HOUSING	1	Purge	
24	505 19 52-01	FUEL HOSE	1	Purge	
25	537 04 24-14	FUEL HOSE	1	Purge	
26	506 25 59-03	TANK CAP ASSY	1	Incl. 27 - 28	
27	506 29 21-01	GASKET	1		
28	503 57 89-01	TANK CAP HOLDER	1		
29	506 39 46-02	CAP	1		
30	506 38 15-01	HEAT SHIELD	1		
31	503 21 54-20	SCREW	4		
32	506 37 19-02	BASE PLATE	1		
33	537 21 03-07	VIBRATION ABSORBER	1	Incl. 34 - 35	
34	544 06 12-01	SCREW	1		
35	544 23 82-01	BAND	1		

G K760 Cut-n-Break



Page G**K760 Cut-N-Break**

Pos.	Part No.	Description	Quantity	Notes	New Part
1	575 34 85-01	SPRAY GUARD ASSY	1	Incl. 2 - 13, 22	
2	503 21 53-56	SCREW	1		
3	506 40 60-01	SPRING	1		
4	506 40 63-02	SPRAY GUARD	1		
5	740 42 05-00	O-RING	2		
6	506 40 37-01	BUSHING	1		
7	732 21 14-01	LOCK NUT	1		
8	525 73 98-01	HOLDER	1		
9	544 03 21-01	SPRAY GUARD	1		
10	503 21 53-16	SCREW	2		
11	544 03 22-01	PLATE	1		
12	544 03 92-01	BUSHING	2		
13	510 05 66-01	SPRAY GUARD ASSY	1	Incl. 14 - 21	
14	510 00 72-01	SPRAY GUARD UPPER	1		
15	510 00 73-01	GUIDE PIECE	1		
16	503 21 46-01	SCREW	2		
17	734 48 80-01	WASHER	2		
18	506 26 22-02	WHEEL	2		
19	510 20 24-01	BAND	1		
20	510 20 20-01	WASHER	2		
21	503 21 27-16	SCREW	4		
22	522 03 81-01	LABEL	1		

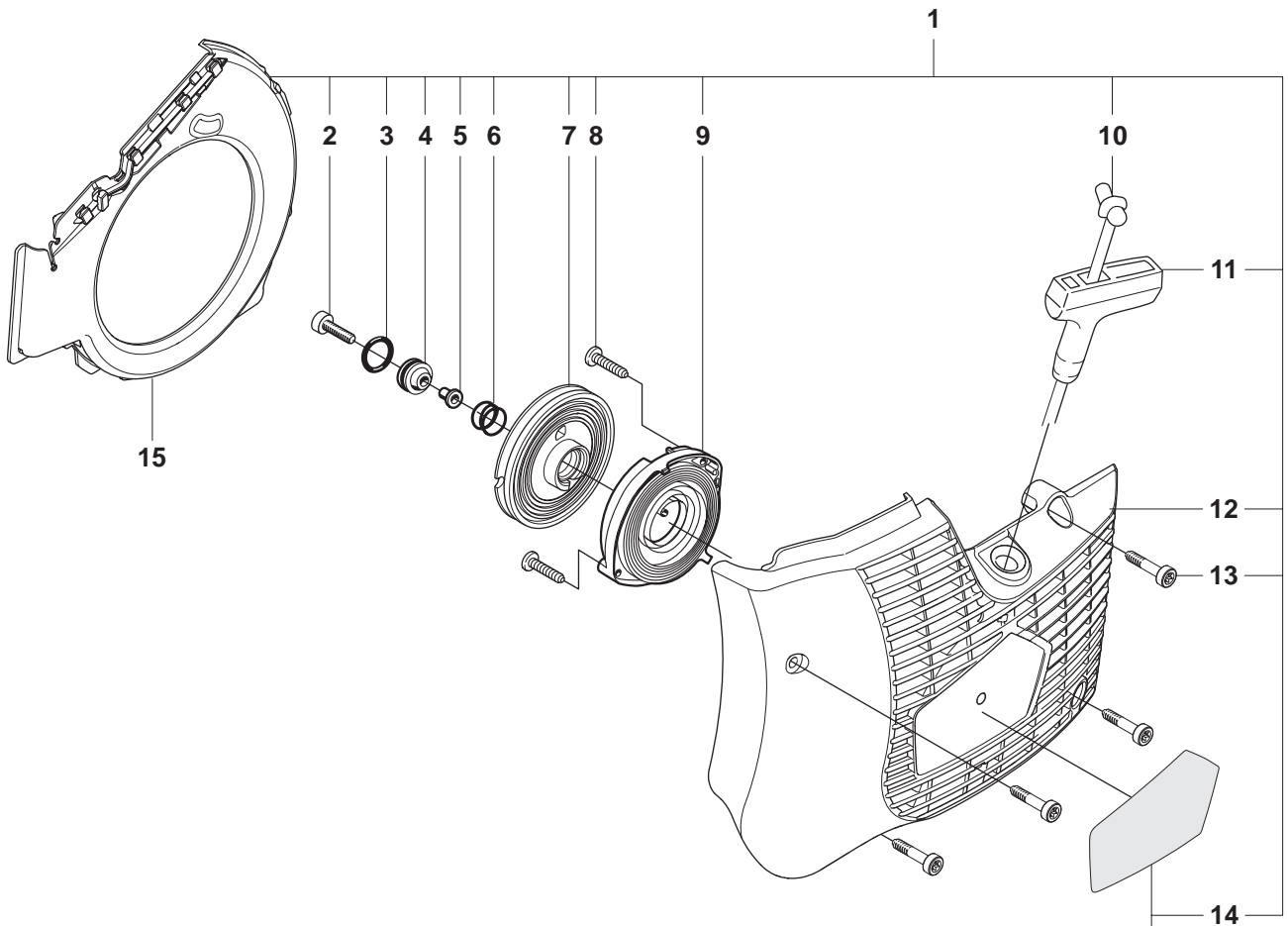
H**K760 Cut-n-Break**

Page H**K760 Cut-N-Break**

Pos.	Part No.	Description	Quantity	Notes	New Part
1	505 09 55-03	HOSE KIT	1	Incl. 2 - 3	
2	575 51 62-01	HOSE ASSY	1	Incl. 4 - 5, 7 - 8	
3	506 38 60-05	VALVE ASSY	1	Incl. 7	
4	506 49 87-02	HOSE CLAMP	1		
5	575 30 31-01	HOSE ASSY	1		
6	503 21 54-20	SCREW	8		
7	506 29 88-01	FILTER	1		
8	505 10 35-01	O-RING	1		
9	503 26 60-03	COUPLING	1	USA, Canada	
9	503 26 60-04	COUPLING	1		
10	544 06 12-01	SCREW	3		
11	506 37 72-02	SPRING RETAINER	1		
12	522 83 23-01	GROUND SUPPORT	1		
13	503 21 53-10	SCREW	2		
14	503 21 53-40	SCREW	1		
15	522 83 24-01	GROUND SUPPORT	1		
16	575 35 13-01	HANDLE	1	Incl. 6, 17 - 18	
17	506 37 11-03	FRONT HANDLE	1		
18	506 38 71-02	STOP	1		

J

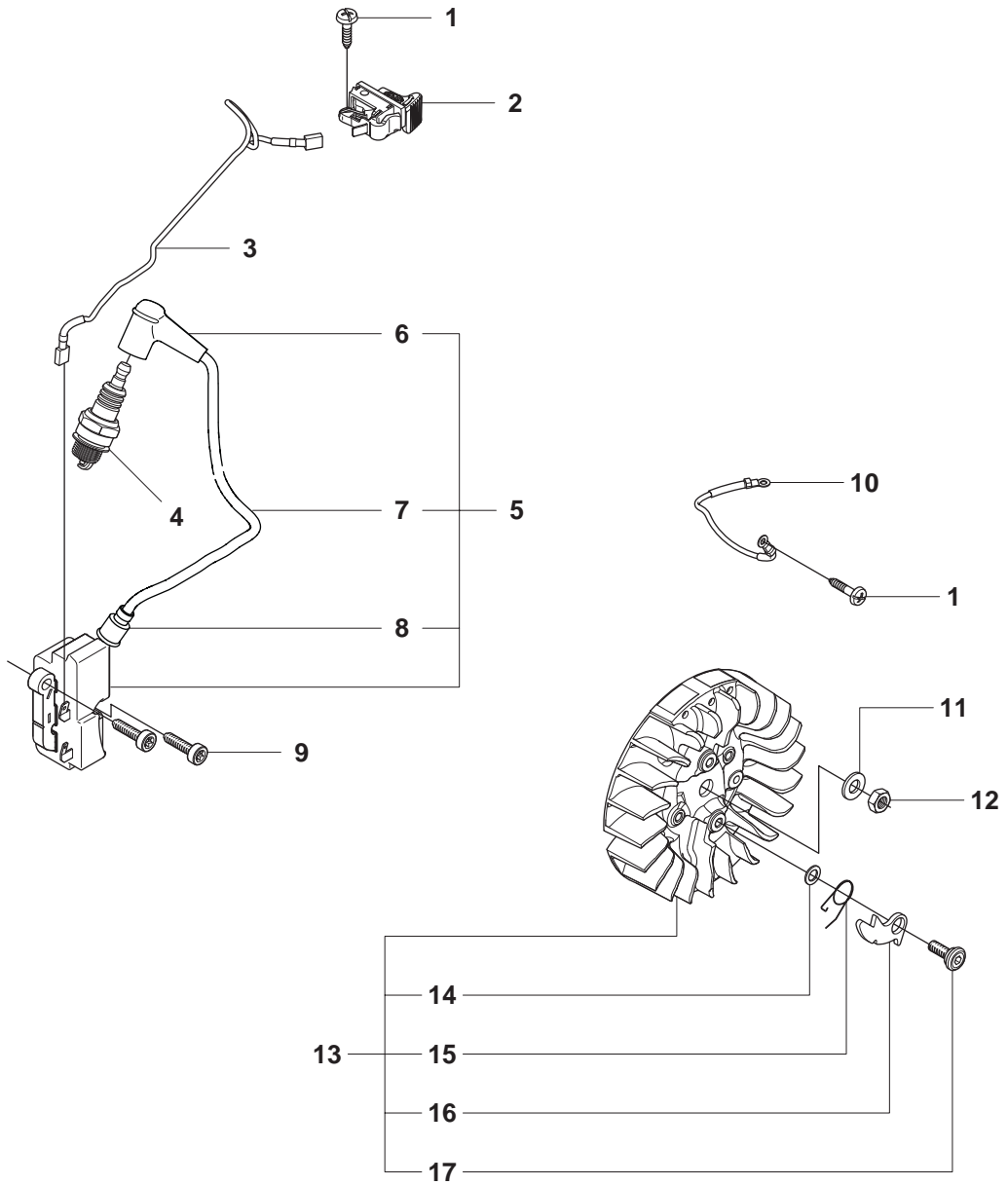
K760 Cut-n-Break



Page J**K760 Cut-N-Break**

Pos.	Part No.	Description	Quantity	Notes	New Part
1	574 36 20-01	STARTER	1	Incl. 2 - 15	
2	510 26 92-22	SCREW	1		
3	740 43 13-00	O-RING	1		
4	510 00 08-01	SEALING HOLDER	1		
5	506 26 31-01	SPACING SLEEVE	1		
6	506 25 30-01	COMPRESSION SPRING	1		
7	506 25 81-02	STARTER PULLEY	1		
8	503 21 28-10	SCREW	2		
9	506 25 89-01	RECOIL SPRING	1		
10	506 33 56-15	STARTER CORD	1		
10	506 33 56-50	STARTER CORD	1	50 m	
11	503 12 79-01	STARTER HANDLE	1		
12	525 44 60-01	STARTER COVER	1		
13	501 98 10-20	SCREW	4		
14	525 57 11-01	LABEL	1		
15	544 38 39-01	AIR CONDUCTOR	1		

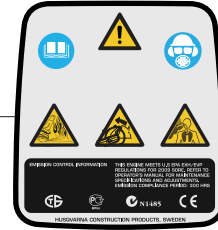
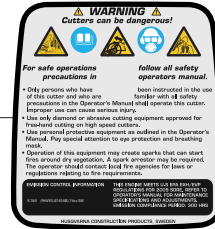
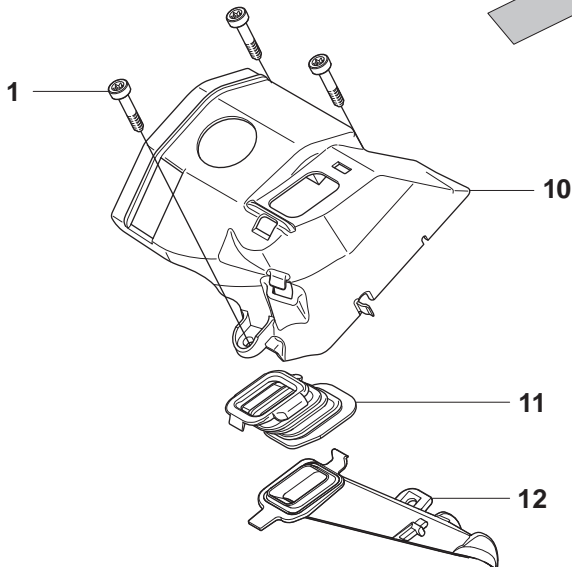
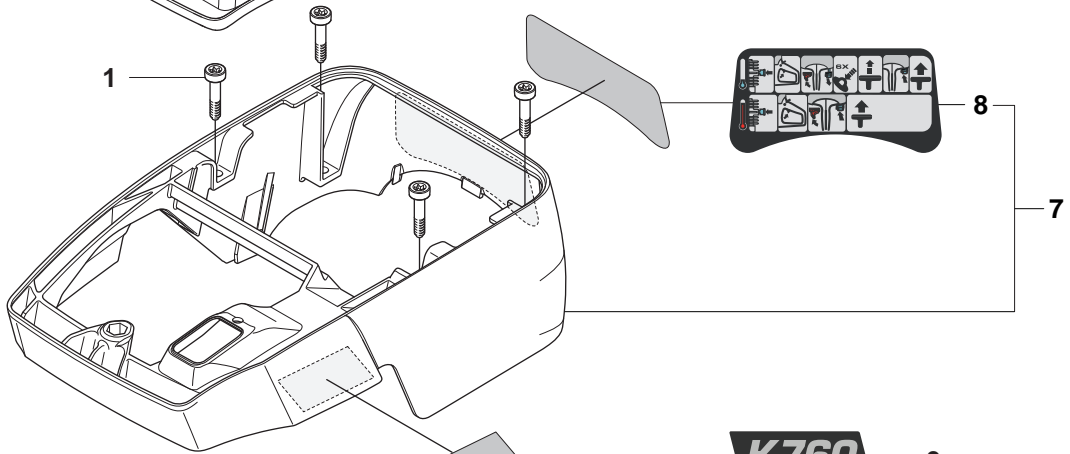
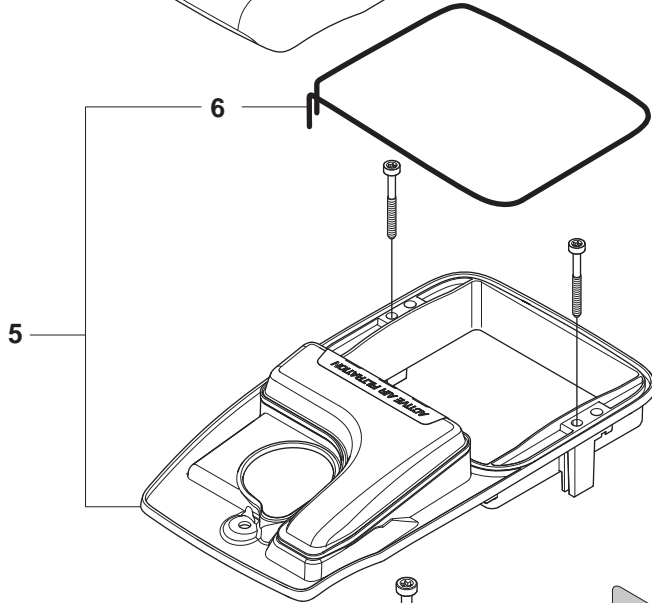
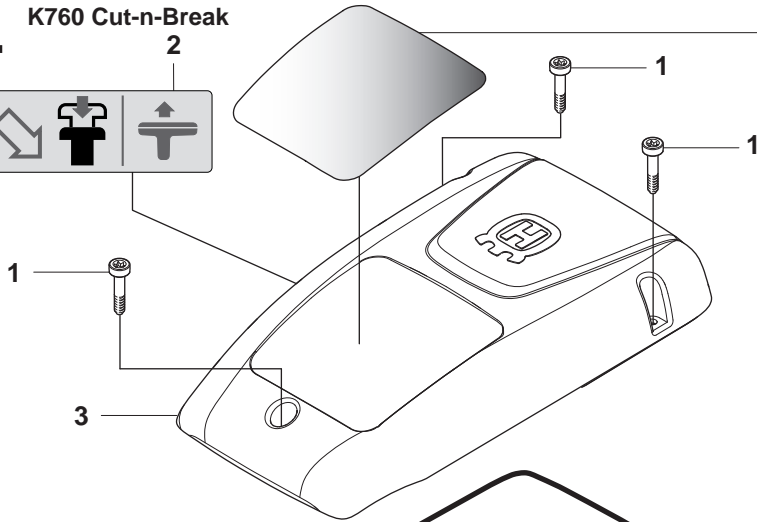
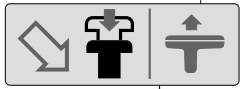
K K760 Cut-n-Break



Page K**K760 Cut-N-Break**

Pos.	Part No.	Description	Quantity	Notes	New Part
1	503 21 28-10	SCREW	2		
2	506 31 86-02	STOP SWITCH	1		
3	506 37 84-02	CABLE	1		
4	503 23 51-09	SPARK PLUG	1	RCJ 6 Y	
5	510 11 56-02	IGNITION MODULE	1	Incl. 6 - 8	
6	501 48 54-02	SPARK PLUG CAP	1		
7	506 38 78-34	IGNITION CABLE	1		
8	505 27 75-16	ISOLERHATT	1		
9	503 21 53-20	SCREW	2		
10	506 37 85-01	CABLE	1		
11	503 23 01-01	WASHER STEEL	1		
12	503 22 10-11	NUT	1		
13	501 37 56-01	FLYWHEEL	1	Incl. 14 - 17	
14	503 23 00-42	WASHER STEEL	2		
15	501 63 48-01	SPRING	2		
16	501 67 32-03	PAWL	2		
17	506 00 69-01	SCREW	2		

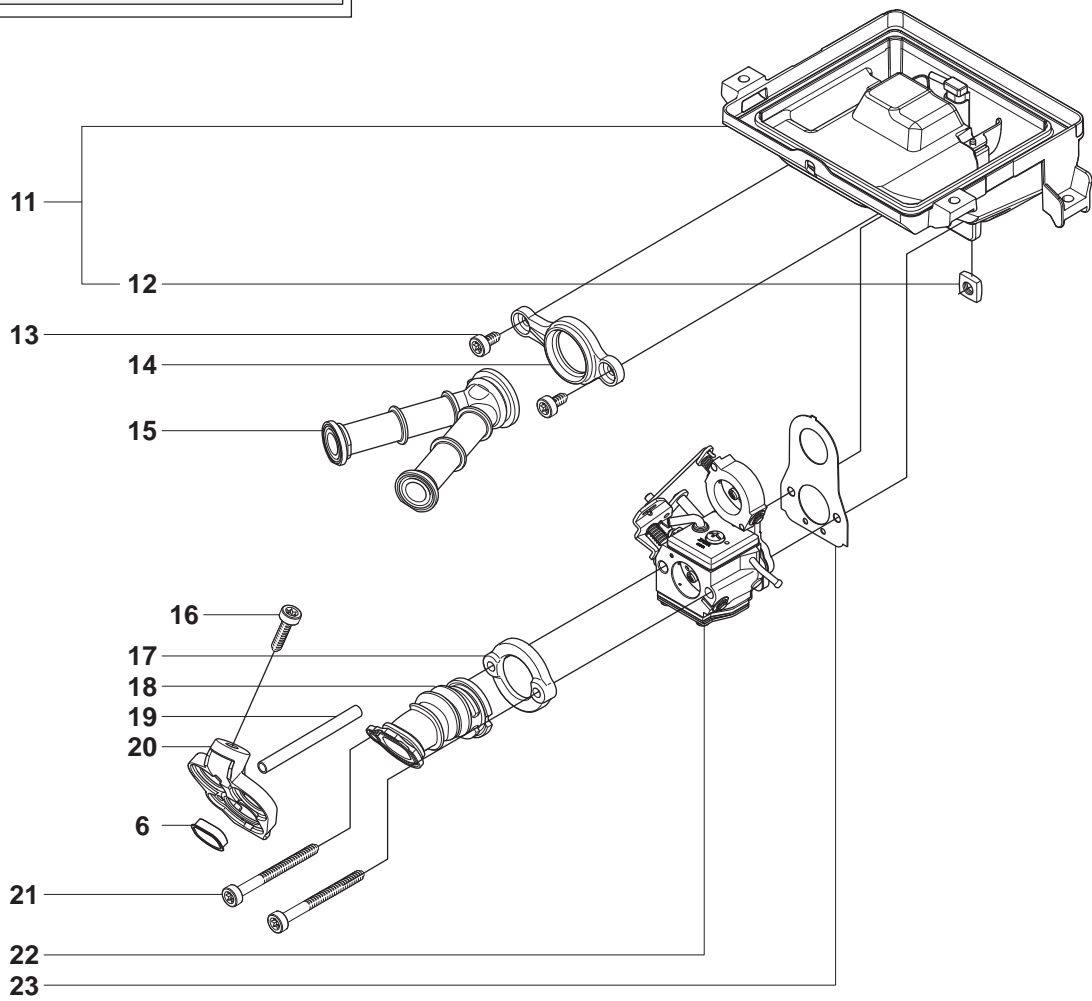
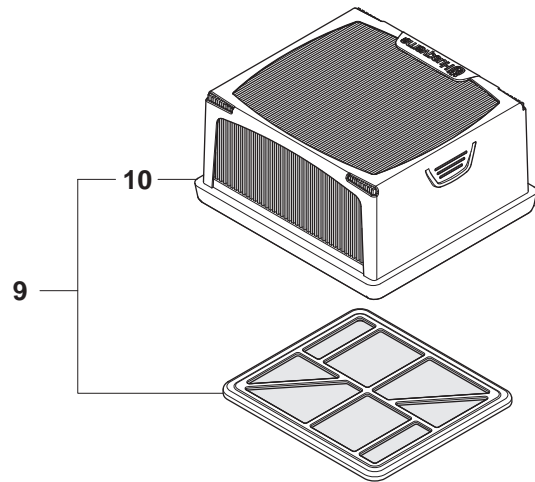
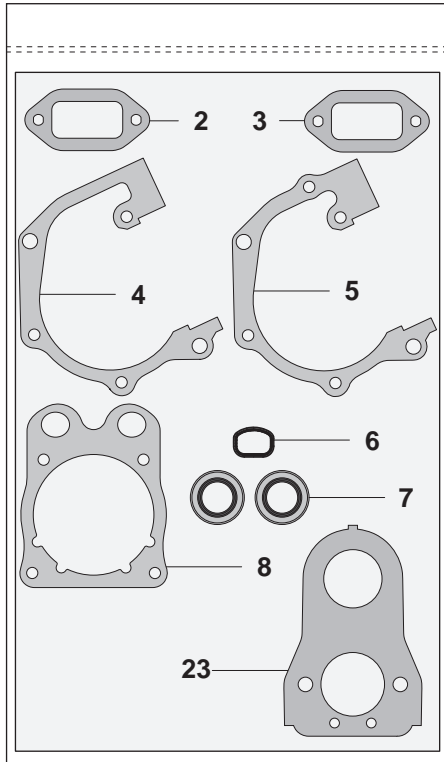
L K760 Cut-n-Break



K760
Cut-n-Break

Page L**K760 Cut-N-Break**

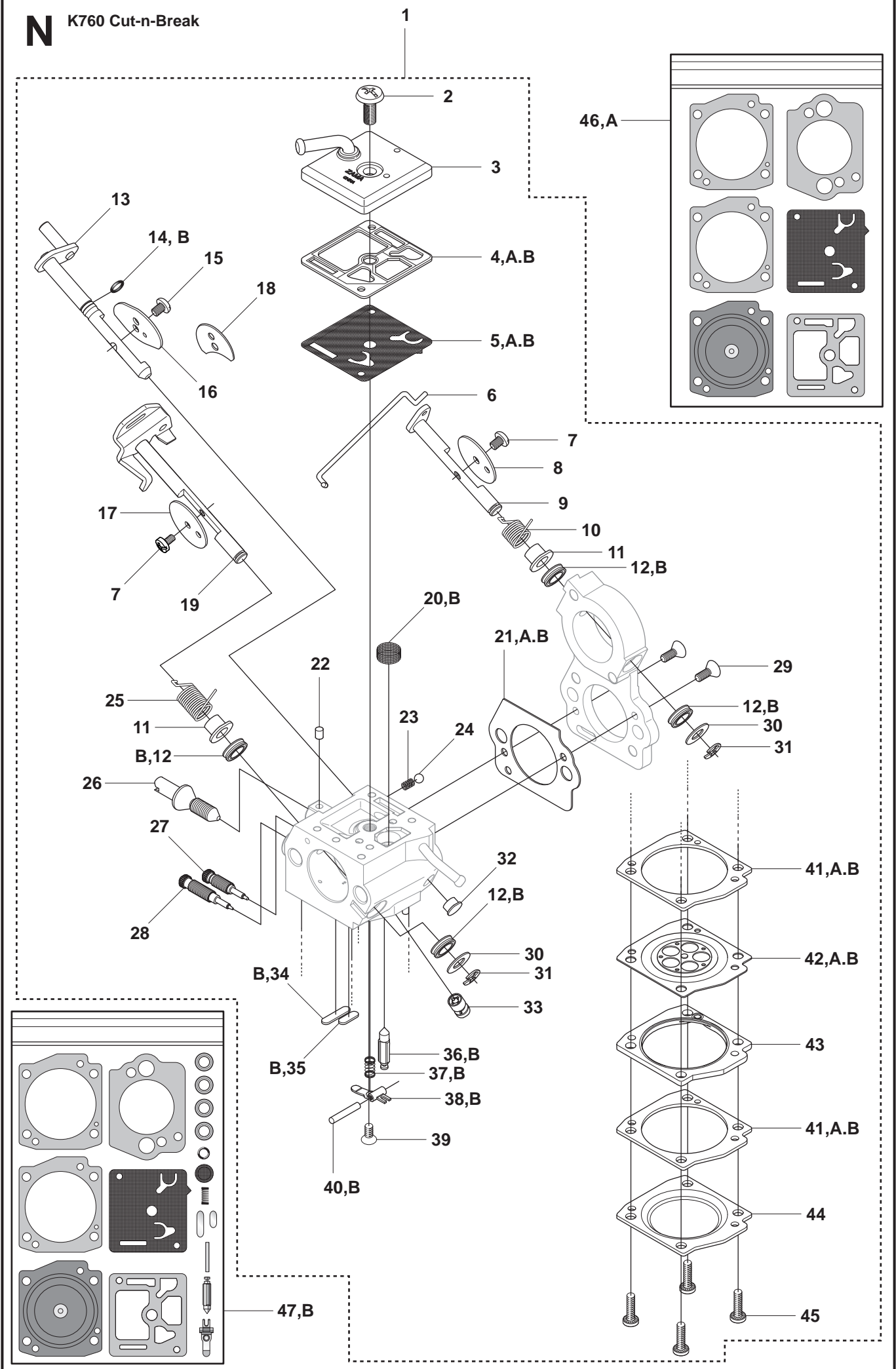
Pos.	Part No.	Description	Quantity	Notes	New Part
1	503 21 53-21	SCREW	10		
2	525 76 35-02	DECAL	1		
3	525 44 43-01	FILTER COVER	1		
4	574 23 14-01	DECAL	1	EPA USA	
4	574 23 14-02	DECAL	1	CE, EPA Canada	
5	574 36 21-01	FILTER HOLDER ASSY	1	Incl. 6	
6	525 61 70-02	SEALING	1		
7	506 39 84-05	CYLINDER COVER ASSY	1	Incl. 8	
8	544 89 09-02	LABEL	1		
9	574 23 16-01	DECAL	1		
9	574 23 16-02	DECAL	1	Rescue	
9	574 23 16-03	DECAL	1	Oil Guard	
10	506 37 02-01	COVER	1		
11	506 37 04-01	BELLOWS	1		
12	525 58 43-01	AIR NOZZLE	1		

M**K760 Cut-n-Break**

Page M**K760 Cut-N-Break**

Pos.	Part No.	Description	Quantity	Notes	New Part
1	506 38 53-05	GASKET KIT	1	Incl. 2 - 8, 23	
2	506 41 23-01	GASKET	1		
3	506 37 69-02	GASKET MUFFLER	1		
4	506 37 70-02	GASKET CRANKCASE	1		
5	506 37 70-03	GASKET CRANKCASE	1		
6	544 21 93-02	INSERT	1		
7	503 26 02-04	SEALING RING	2		
8	506 37 67-01	CYLINDER BASE GASKET	1		
9	574 36 23-01	FILTER	1	Incl. 10	
10	525 47 06-01	AIR FILTER PAPER	1		
11	575 35 40-01	CARBURETTOR BRACKET	1	Incl. 12	
12	503 22 65-04	NUT	4		
13	503 21 53-10	SCREW	2		
14	506 37 06-01	FLANGE INLET PIPE	1		
15	506 36 98-01	INLET PIPE	1		
16	503 21 53-20	SCREW	1		
17	506 37 05-01	FLANGE INLET PIPE	1		
18	506 36 97-01	INLET PIPE	1		
19	503 40 06-09	IMPULSE HOSE	1		
20	544 35 26-01	PLATE	1		
21	503 21 53-56	SCREW	2		
22	510 18 12-02	CARBURETTOR	1	Zama C3-EL43A	
23	506 37 68-03	GASKET CARBURETTOR	1		

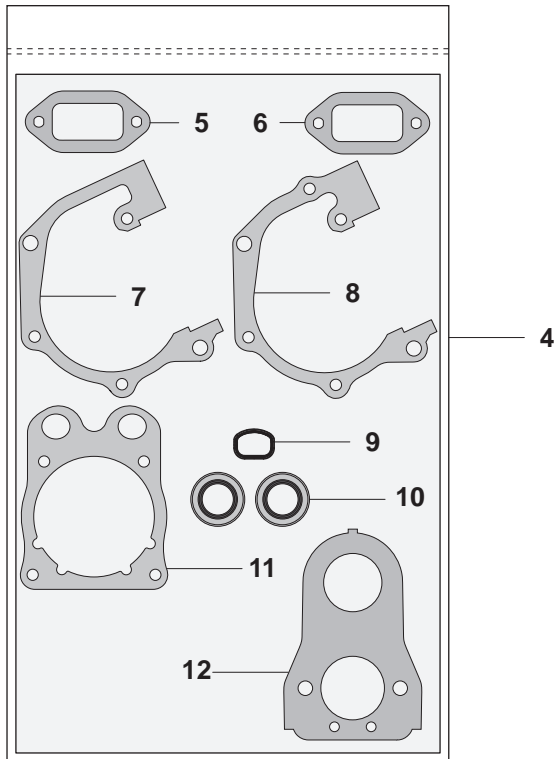
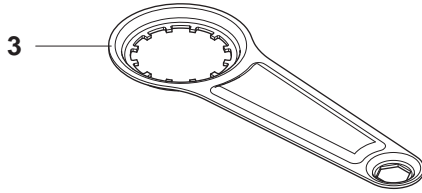
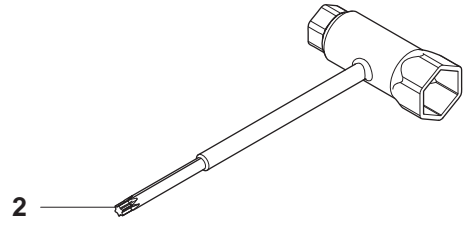
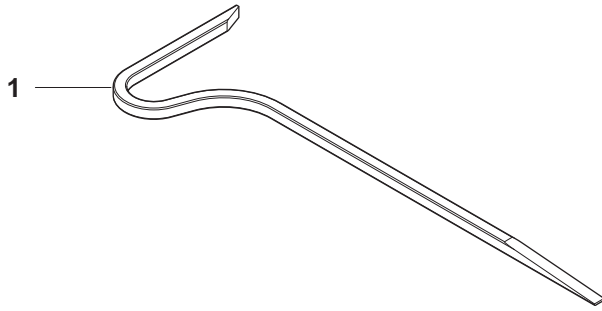
N K760 Cut-n-Break



K760 Cut-N-Break

Pos.	Part No.	Description	Quantity	Notes	New Part
1	510 18 12-02	CARBURETTOR	1	Zama C3-EL43A, Incl. 2 - 43	
2	503 47 96-01	SCREW	1		
3	544 83 64-01	PUMP COVER	1		
4	503 61 66-01	GASKET PUMP	1		
5	506 39 60-01	DIAPHRAGM PUMP	1		
6	506 39 65-01	ROD	1		
7	544 08 22-01	SCREW	2		
9	506 39 71-01	SHAFT ASSY	1		
10	506 39 75-01	SPRING	1		
11	506 39 54-01	COLLAR	2		
12	506 39 64-01	QUAD RING	4		
13	506 39 73-01	SHAFT ASSY CHOKE	1		
14	506 39 90-01	O-RING	1		
15	503 48 18-01	SCREW	1		
16	506 39 78-01	VALVE	1		
17	537 17 70-01	VALVE	1		
19	506 39 74-01	SHAFT ASSY	1		
20	503 53 57-01	STRAINER	1		
21	506 39 58-01	GASKET	1		
22	503 48 11-01	PIECE	1		
23	537 01 26-01	SPRING	1		
24	537 01 25-01	BALL	1		
25	544 83 65-01	SPRING	1		
26	506 39 72-01	SCREW	1		
27	506 39 70-01	SCREW	1		
28	506 39 69-01	SCREW	1		
29	537 38 51-01	SCREW	2		
30	506 39 79-01	WASHER	2		
31	537 38 52-01	E-CLIP	2		
32	506 39 91-01	PLUG	1		
33	506 39 61-01	NOZZLE ASSY	1		
34	503 53 56-01	PLUG WELCH	1		
35	537 17 78-01	PLUG	1		
36	537 17 62-01	VALVE	1		
37	575 44 13-01	SPRING	1		
38	537 17 64-01	LEVER	1		
39	544 08 21-01	SCREW	1		
40	503 48 00-01	PIN RETAINING SCREW	1		
41	506 39 62-01	GASKET	2		
42	506 39 57-01	DIAPHRAGM ASSY	1		
43	506 39 55-01	COVER	1		
44	506 39 56-01	COVER	1		
45	506 39 66-01	SCREW	4		
46	506 40 99-01	GASKET KIT	1	Incl. 4-5, 21, 41, 42	
47	506 41 00-03	GASKET KIT CARB	1	Incl. 4-5, 12, 14, 20, 21, 34-38, 40-42	

P K760 Cut-n-Break
Accessories



Page P**K760 Cut-N-Break**

Pos.	Part No.	Description	Quantity	Notes	New Part
1	544 17 80-02	TOOL	1		
2	506 38 26-01	COMBINATION TOOL	1		
3	544 17 81-01	PULLER	1		
4	506 38 53-05	GASKET KIT	1	Incl. 5 - 12	
5	506 41 23-01	GASKET	1		
6	506 37 69-02	GASKET MUFFLER	1		
7	506 37 70-02	GASKET CRANKCASE	1		
8	506 37 70-03	GASKET CRANKCASE	1		
9	544 21 93-02	INSERT	1		
10	503 26 02-04	SEALING RING	2		
11	506 37 67-01	CYLINDER BASE GASKET	1		
12	506 37 68-03	GASKET CARBURETTOR	1		