

K950

Reservdelar

Spare parts

Ersatzteile

Pieces de rechange

Piezas de repuesto

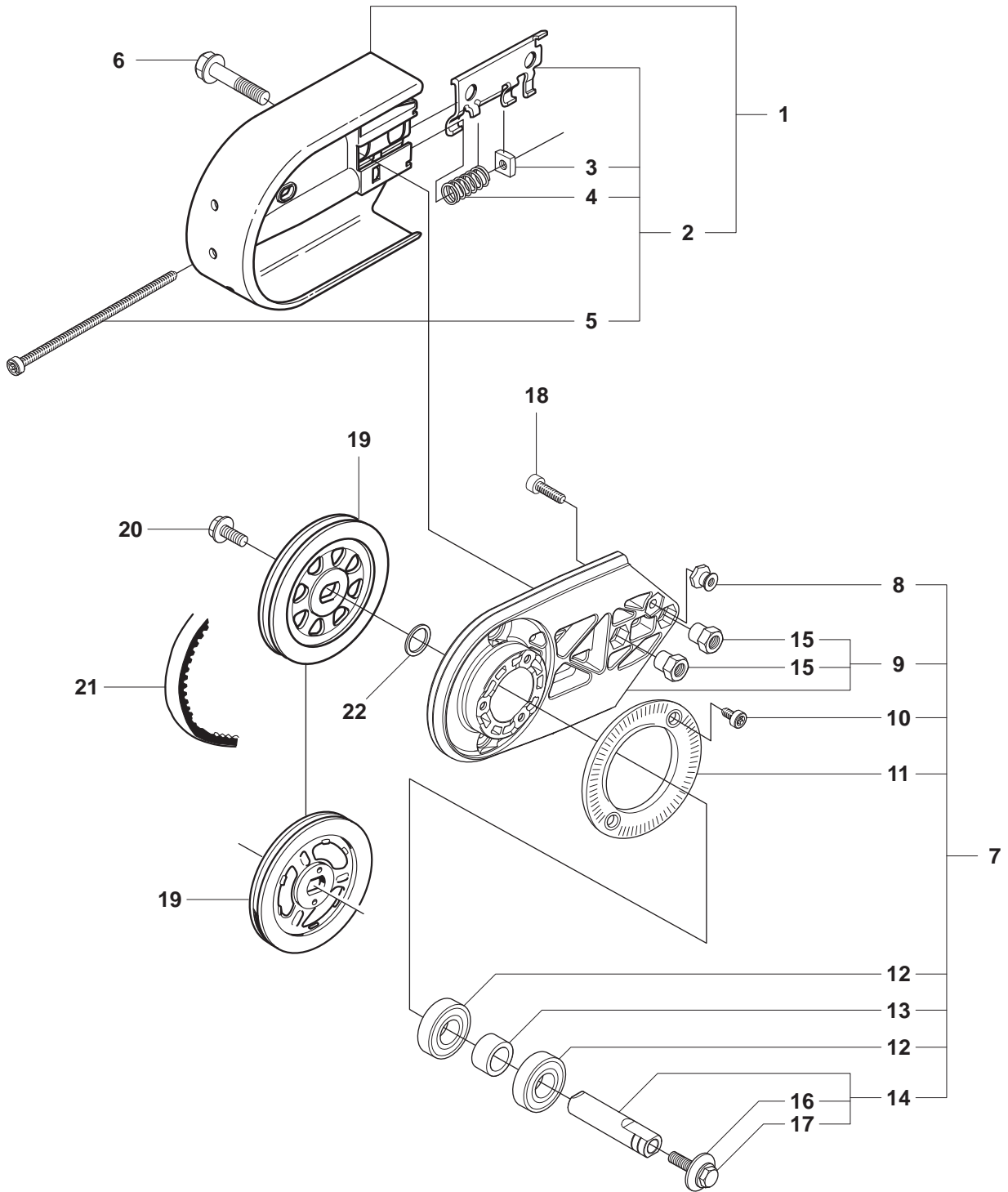
Ricambi

Peças sobresselente

No.	Pos.	Description	No.	Pos.	Description
501 22 03-01	M	WELCH PLUG(LARGE)	503 98 82-01	M	SCREEN
501 22 04-01	M	CHOKE FRICTION BALL	505 27 75-16	J	INSULATING CAP
501 22 05-01	M	SPRING	505 31 65-50	M	INLET NEEDLE
501 22 12-01	M	FUEL PUMP DIAPHRAM	505 39 75-13	B	LABEL
501 22 13-01	M	FUEL PUMP GASKET	506 02 87-01	B	WASHER
501 22 15-01	M	SCREW	506 02 88-30	B	BUSHING
501 22 20-01	M	LEVER	506 07 08-01	A	SPACING SLEEVE
501 22 21-01	M	PIN RETAINING SCREW	506 07 09-01	B	WASHER
501 22 25-01	M	SPRING	506 07 18-02	A	PULLEY
501 48 52-01	M	PIN RETAINING SCREW	506 09 56-02	P	HOSE CLAMP
501 48 54-02	J	SPARK PLUG CAP	506 09 58-24	P	HOSE
501 63 48-01	J	SPRING	506 09 75-02	P	HOSE
501 67 32-03	J	PAWL	506 13 35-01	L	CARBURETTOR BRACKET
501 69 17-02	N	COMBINATION TOOL	506 13 95-11	AB	WASHER
501 76 83-31	G	FUEL HOSE	506 13 96-01	AB	COLLAR SCREW
501 81 99-01	J	SCREW	506 14 32-01	A	TORSION STOP
501 82 18-01	M	"THROTTLE SH." "E" "RING"	506 15 55-06	E	CYLINDER ASSY
501 83 98-01	J	CABLE	506 15 56-02	E	PISTON ASSY
502 21 58-01	N	L SPANNER	506 15 82-01	DEN	CYLINDER BASE GASKET
503 12 79-01	H	STARTER HANDLE	506 16 91-01	E	COOLING PLATE
503 14 29-02	Q	WASHER	506 21 68-13	G	FUEL TANK
503 14 51-01	C	CLUTCH SPRING	506 22 17-02	K	AIR FILTER COVER
503 20 00-45	A	SCREW COLLAR	506 22 18-15	K	FILTER BOTTOM
503 20 02-12	A	SCREW	506 22 19-01	L	INLET PIPE
503 20 02-16	EGKQ	SCREW	506 22 22-02	H	AIR CONDUCTOR
503 20 02-30	K	SCREW	506 22 27-02	G	THROTTLE TRIGGER
503 20 02-55	L	SCREW	506 22 28-02	G	THROTTLE LOCKOUT
503 20 25-20	J	SCREW	506 22 29-01	G	SPRING THROTTLE TRIG
503 20 30-11	A	SCREW	506 22 31-01	L	THROTTLE WIRE
503 20 34-42	K	SCREW	506 22 39-01	L	FLANGE
503 20 59-20	C	SCREW	506 22 94-01	K	AIR NOZZLE
503 20 59-20	H	SCREW	506 23 12-01	L	CHISEL GUIDE
503 21 05-22	G	SCREW	506 23 13-02	G	FRONT HANDLE
503 21 05-45	G	SCREW	506 23 14-01	C	GEAR WHEEL ASSY
503 21 06-19	P	SCREW	506 23 14-02	C	GEAR WHEEL ASSY
503 21 28-06	J	SCREW	506 23 19-01	K	PREFILTER
503 21 28-10	H	SCREW	506 23 20-11	L	CHOKE
503 21 67-22	H	SCREW	506 23 24-01	DEN	GASKET
503 22 10-11	J	NUT	506 23 30-01	G	GROUND SUPPORT
503 22 65-04	Q	NUT	506 23 33-07	D	CRANKCASE ASSY
503 22 66-01	A	NUT	506 23 59-11	H	STARTER
503 23 00-42	J	WASHER STEEL	506 23 61-01	G	TANK VENT
503 23 01-01	J	WASHER STEEL	506 23 75-01	G	VIB.INSULATOR
503 23 01-04	A	WASHER STEEL	506 24 39-02	K	LABEL
503 23 04-02	E	WASHER	506 25 14-01	H	RECOIL SPRING
503 23 51-08	J	SPARK PLUG	506 25 30-01	H	GROMMET
503 25 00-02	D	BALL BEARING	506 25 59-03	G	TANK CAP ASSY
503 25 00-02	F	BALL BEARING	506 25 64-02	M	INSERT
503 25 21-01	A	BALL BEARING	506 25 81-02	H	COMPRESSION SPRING
503 25 38-01	C	NEEDLE BEARING	506 25 84-01	M	DIAPHRAGM
503 25 61-01	EF	BALL BEARING	506 25 85-01	M	DIAPHRAGM
503 26 02-05	DEN	SEALING RING	506 25 88-01	M	DIAPHRAGM
503 26 30-21	P	O-RING	506 25 89-01	H	STARTER PULLEY
503 26 60-01	P	COUPLER	506 26 31-01	H	SPACING SLEEVE
503 28 04-02	LM	CARBURETTOR	506 26 35-13	A	BEARING HOUSING
503 28 90-24	E	PISTON RING	506 26 41-01	G	FILTER
503 40 06-07	L	IMPULSE HOSE	506 26 41-11	G	FUEL FILTER
503 45 46-01	G	CONNECTION BEND	506 26 54-02	C	BELT GUARD
503 46 85-01	G	VIB.INSULATOR	506 26 63-02	BQ	LINING
503 53 36-01	M	DIAPHRAGM COVER	506 26 64-01	B	SCREEN PATTERN FLANG
503 53 39-01	M	TUBE CONNECTOR	506 26 65-01	B	FLANGE
503 56 00-02	L	HOSE CLAMP	506 26 66-01	A	BELT TENSIONER ASSY
503 57 76-02	G	FUEL HOSE	506 26 68-01	A	COMPRESSION SPRING
503 57 86-01	M	SPEED SCREW RET BALL	506 27 11-01	G	HOSE CLAMP
503 57 87-01	M	IDLE SPEED SCREW	506 27 14-01	M	MET.RETENTION SCREW
503 57 89-01	G	HOLDER	506 27 23-02	H	LABEL
503 66 56-01	E	DECOMPRESSION VALVE	506 27 25-01	L	WEAR PROTECTION
503 67 80-01	L	SLEEVE	506 27 27-01	J	FLYWHEEL
503 70 15-01	C	CLUTCH ASSY	506 27 31-01	D	BUFFER
503 78 26-74	F	CRANKSHAFT ASSY	506 27 63-01	M	REPAIR PARTS KIT

No.	Pos.	Description	No.	Pos.	Description
506 27 92-02	A	BELT GUARD	544 89 06-01	Q	LABEL
506 27 93-02	A	BELT GUARD	544 89 07-05	K	LABEL
506 28 39-30	K	SEALING	544 89 14-03	K	CYLINDER COVER ASSY
506 28 41-02	B	LABEL	544 93 31-01	C	LABEL
506 28 41-04	B	LABEL	720 12 40-20	G	PARALLEL PIN
506 28 41-12	B	LABEL	720 13 07-10	D	PIN
506 28 41-14	B	LABEL	725 53 29-55	AB	SCREW
506 28 41-22	B	LABEL	725 53 31-55	BQ	SCREW
506 28 41-24	B	LABEL	725 53 40-55	D	SCREW
506 28 44-01	A	COLLAR SCREW	725 53 72-55	E	SCREW
506 28 53-01	G	VIB.INSULATOR	737 44 13-00	E	CIRCLIP
506 28 59-01	C	SPACING SLEEVE	740 43 13-00	H	O-RING
506 28 63-01	M	SPRING THROTT.RETURN	740 48 20-03	K	O-RING
506 28 68-01	M	FUEL PUMP COVER			
506 28 73-01	A	NUT			
506 28 84-01	A	SCREEN PATTERN FLANG			
506 28 95-01	G	NIPPLE			
506 29 05-04	DEN	GASKET KIT			
506 29 09-01	M	THROTTLE SHAFT(KIT)			
506 29 10-01	M	SEALING, KIT			
506 29 11-01	M	CHOKE SHAFT (KIT)			
506 29 13-01	M	JET (KIT)			
506 29 21-01	G	GASKET			
506 29 56-01	P	NIPPLE			
506 29 57-02	P	NIPPLE			
506 29 75-01	Q	STARTER HANDLE			
506 29 76-01	Q	SHOULDER STRAP			
506 29 79-01	G	PROTECTIVE PLATE			
506 29 83-63	A	SHAFT			
506 29 88-01	P	FILTER			
506 30 23-02	Q	LABEL			
506 30 25-03	Q	BRACKET			
506 31 77-31	P	VALVE ASSY			
506 31 86-02	J	STOP SWITCH			
506 32 20-02	Q	LABEL			
506 32 22-02	Q	LABEL			
506 32 48-01	B	SUPPORT FLANGE			
506 32 87-01	P	Y-TUBE			
506 33 56-15	H	STARTER CORD			
506 33 56-50	H	STARTER CORD			
506 33 72-03	H	STARTER COVER			
506 34 05-02	B	WHEEL GUARD ASSY			
506 34 05-04	B	WHEEL GUARD ASSY			
506 34 05-06	B	WHEEL GUARD ASSY			
506 34 05-24	Q	WHEEL GUARD ASSY			
506 34 46-01	B	HANDLE			
506 34 46-02	Q	HANDLE			
506 34 70-02	K	AIR FILTER			
506 34 74-23	A	BELT			
506 34 74-24	A	BELT			
506 34 78-01	A	PULLEY			
506 35 27-01	P	PROTECTIVE SPRING			
506 36 52-01	L	INLET BEND			
506 37 27-23	A	BELT			
506 37 28-02	E	MUFFLER			
506 37 81-01	DEN	GASKET MUFFLER			
506 37 96-20	B	BUSHING			
506 37 96-22	B	BUSHING			
506 37 96-25	B	BUSHING			
506 38 59-04	P	HOSE			
506 38 78-34	J	IGNITION CABLE			
506 39 42-11	A	BEARING HOUSING			
544 00 31-03	P	WATER HOSE KIT			
544 01 88-01	J	IGNITION SYSTEM			
544 32 49-06	G	FUEL HOSE			
544 38 31-01	G	SPRING			
544 87 44-01	KQ	LABEL			
544 87 44-02	KQ	LABEL			
544 87 44-03	KQ	LABEL			
544 87 46-01	K	LABEL			

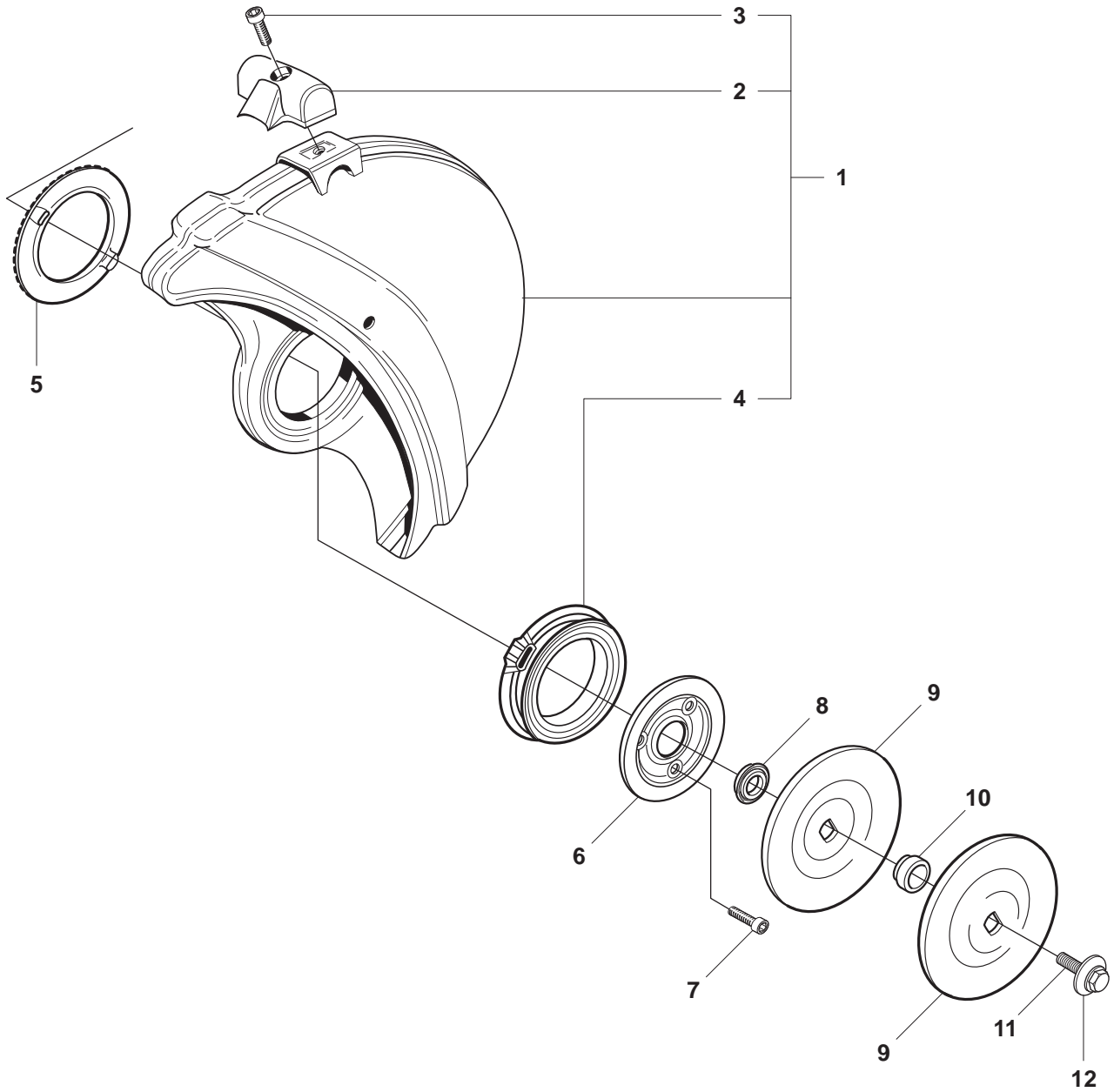
A K950 ACTIVE



Page A

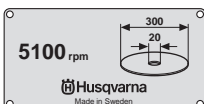
Pos.	Part No.	Description	Quantity	Notes
1	506 27 92-02	BELT GUARD	1	16". Incl. 2
1	506 27 93-02	BELT GUARD	1	12", 14". Incl. 2
2	506 26 66-01	BELT TENSIONER ASSY	1	Incl. 3, 4, 5
3	503 22 66-01	NUT	1	
4	506 26 68-01	COMPRESSION SPRING	1	
5	503 20 30-11	SCREW	1	
6	506 28 44-01	COLLAR SCREW	2	
7	506 39 42-11	BEARING HOUSING	1	Incl. 8, 9, 10, 11, 12, 13, 14
8	506 14 32-01	TORSION STOP	1	
9	506 26 35-13	BEARING HOUSING	1	Incl 15
10	503 20 02-12	SCREW	2	
11	506 28 84-01	SCREEN PATTERN FLANG	1	
12	503 25 21-01	BALL BEARING	2	
13	506 07 08-01	SPACING SLEEVE	1	
14	506 29 83-63	SHAFT	1	Incl. 16,17
15	506 28 73-01	NUT	2	
16	506 13 95-11	WASHER	1	
17	506 13 96-01	COLLAR SCREW	1	
18	725 53 29-55	SCREW	1	
19	506 07 18-02	PULLEY	1	16"
19	506 34 78-01	PULLEY	1	12", 14"
20	503 20 00-45	SCREW COLLAR	1	
21	506 34 74-23	BELT	1	14"
21	506 34 74-24	BELT	1	16"
21	506 37 27-23	BELT	1	12"
22	503 23 01-04	WASHER STEEL	1	

B K950 ACTIVE



- Maskinen får ej användas innan skylt med rätt spindelvarvtal monterats.
- The machine must not be used before the label is mounted stating correct spindle speed.
- Dieses gerät darf erst nach montage des Typschil- des mit Spindelrehzahl-Angabe benutzt werden.
- La machine ne devra être mise en service qu'après installation préalable d'une plaque indiquant de sa broche.

13

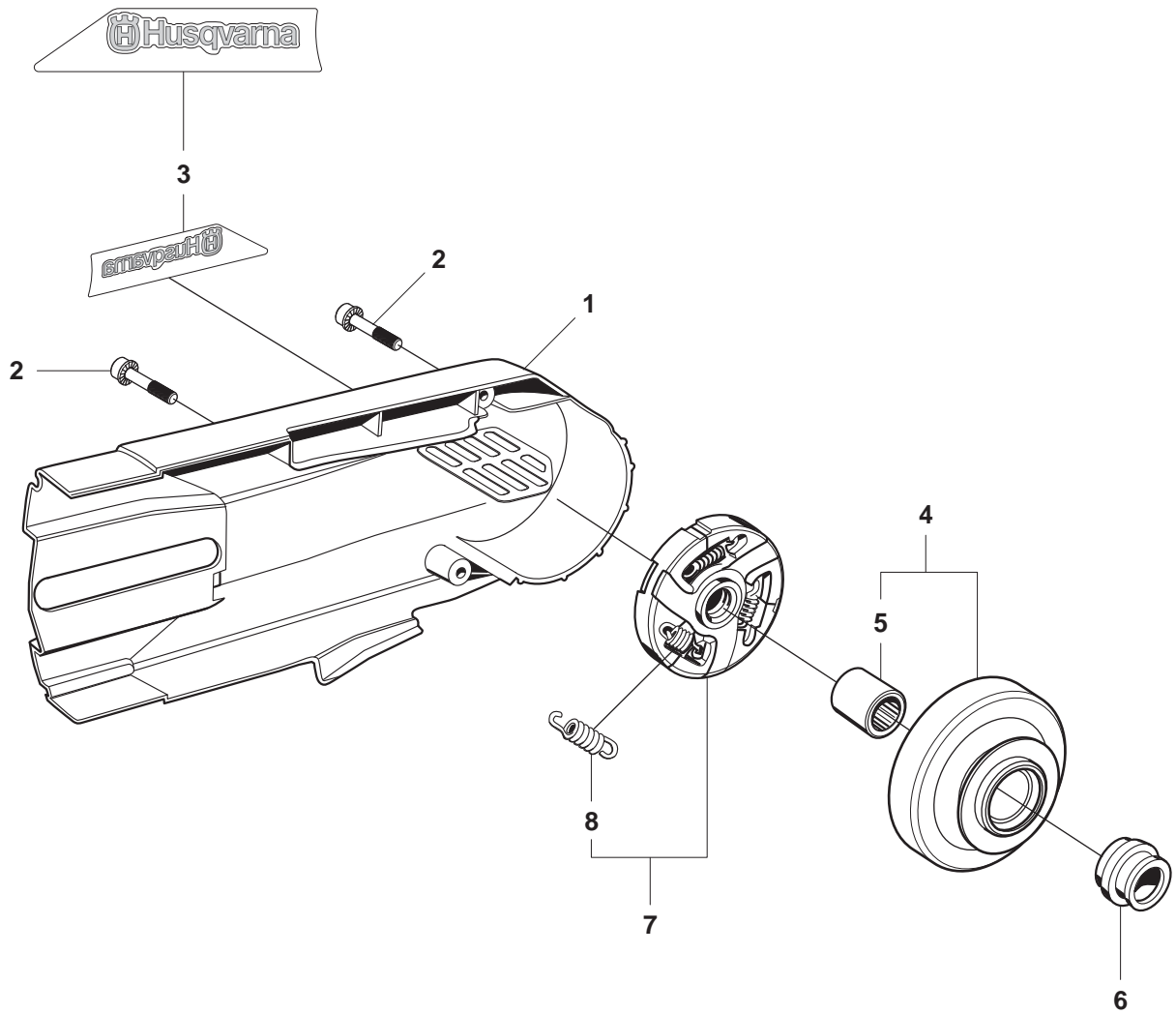


14

Page B

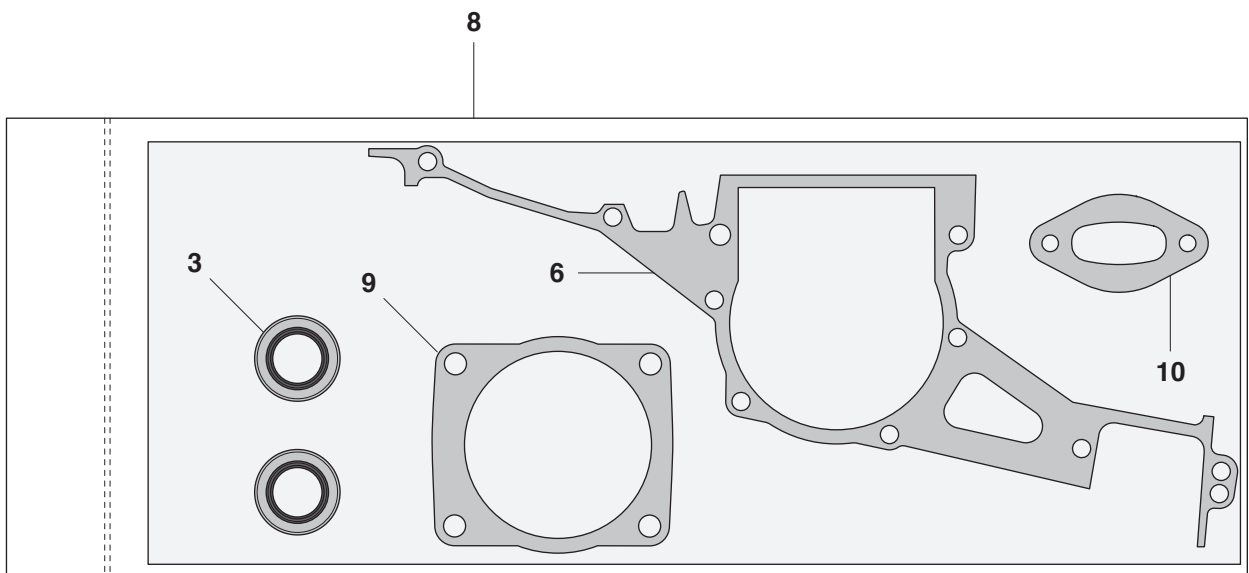
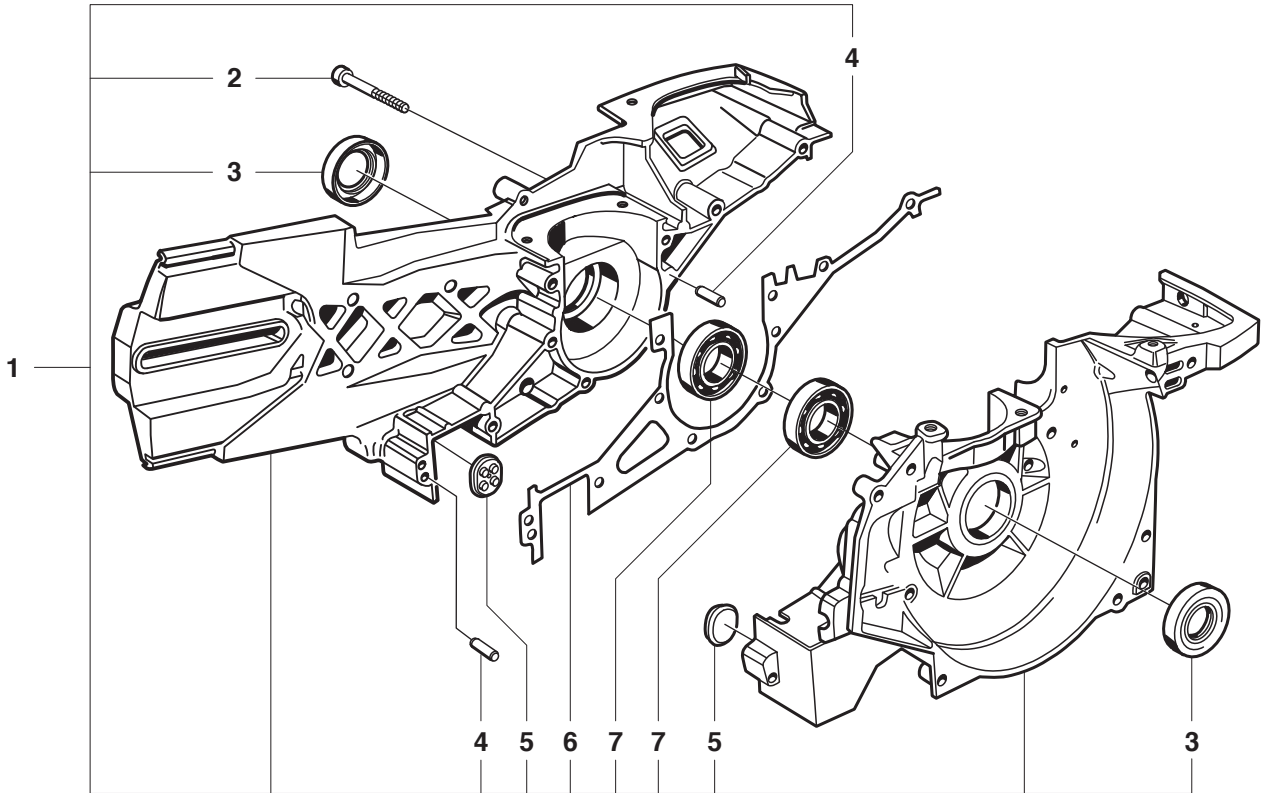
Pos.	Part No.	Description	Quantity	Notes
1	506 34 05-02	WHEEL GUARD ASSY	1	12". Incl. 2, 3, 4
1	506 34 05-04	WHEEL GUARD ASSY	1	14". Incl. 2, 3, 4
1	506 34 05-06	WHEEL GUARD ASSY	1	16". Incl. 2, 3, 4
2	506 34 46-01	HANDLE	1	
3	725 53 31-55	SCREW	1	
4	506 26 63-02	LINING	1	
5	506 26 64-01	SCREEN PATTERN FLANG	1	
6	506 26 65-01	FLANGE	1	
7	725 53 29-55	SCREW	3	
8	506 32 48-01	SUPPORT FLANGE	1	
9	506 02 87-01	WASHER	2	Diam. 105
9	506 07 09-01	WASHER	2	Diam. 119
10	506 02 88-30	BUSHING	1	Diam. 30,5
10	506 37 96-20	BUSHING	1	Diam. 20
10	506 37 96-22	BUSHING	1	Diam. 22,2
10	506 37 96-25	BUSHING	1	Diam. 25,4
11	506 13 96-01	COLLAR SCREW	1	
12	506 13 95-11	WASHER	1	
13	505 39 75-13	LABEL	1	
14	506 28 41-02	LABEL	1	12", Diam. 20 mm
14	506 28 41-04	LABEL	1	12", Diam. 25,4 mm
14	506 28 41-12	LABEL	1	14", Diam 20 mm
14	506 28 41-14	LABEL	1	14", Diam. 25,4 mm
14	506 28 41-22	LABEL	1	16", Diam. 20 mm
14	506 28 41-24	LABEL	1	16", Diam. 25,4 mm

C K950 ACTIVE



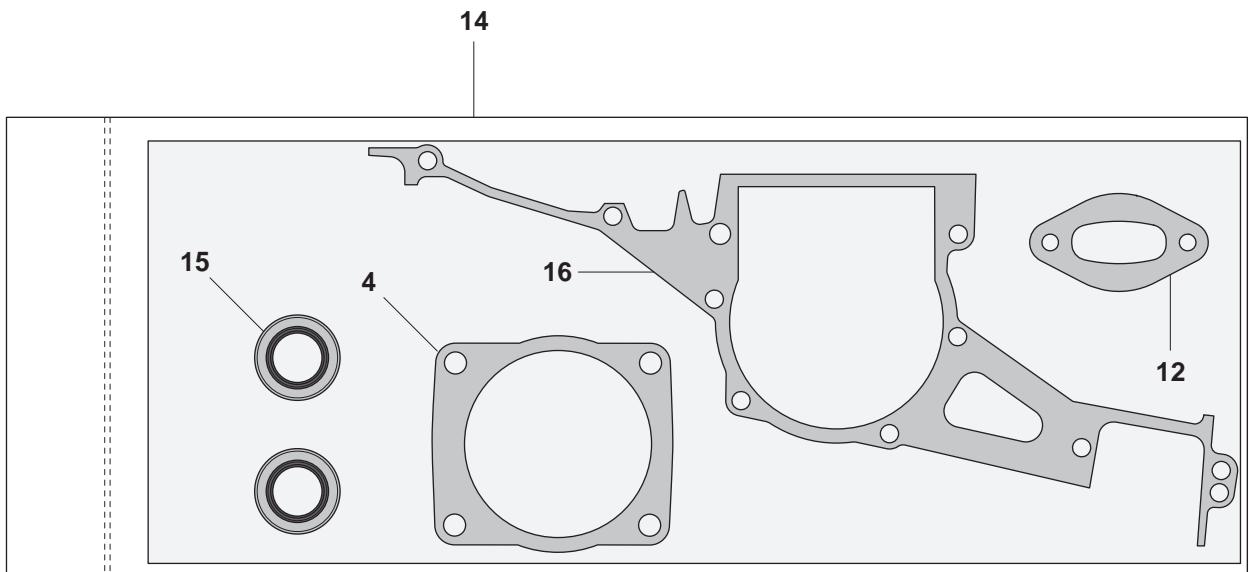
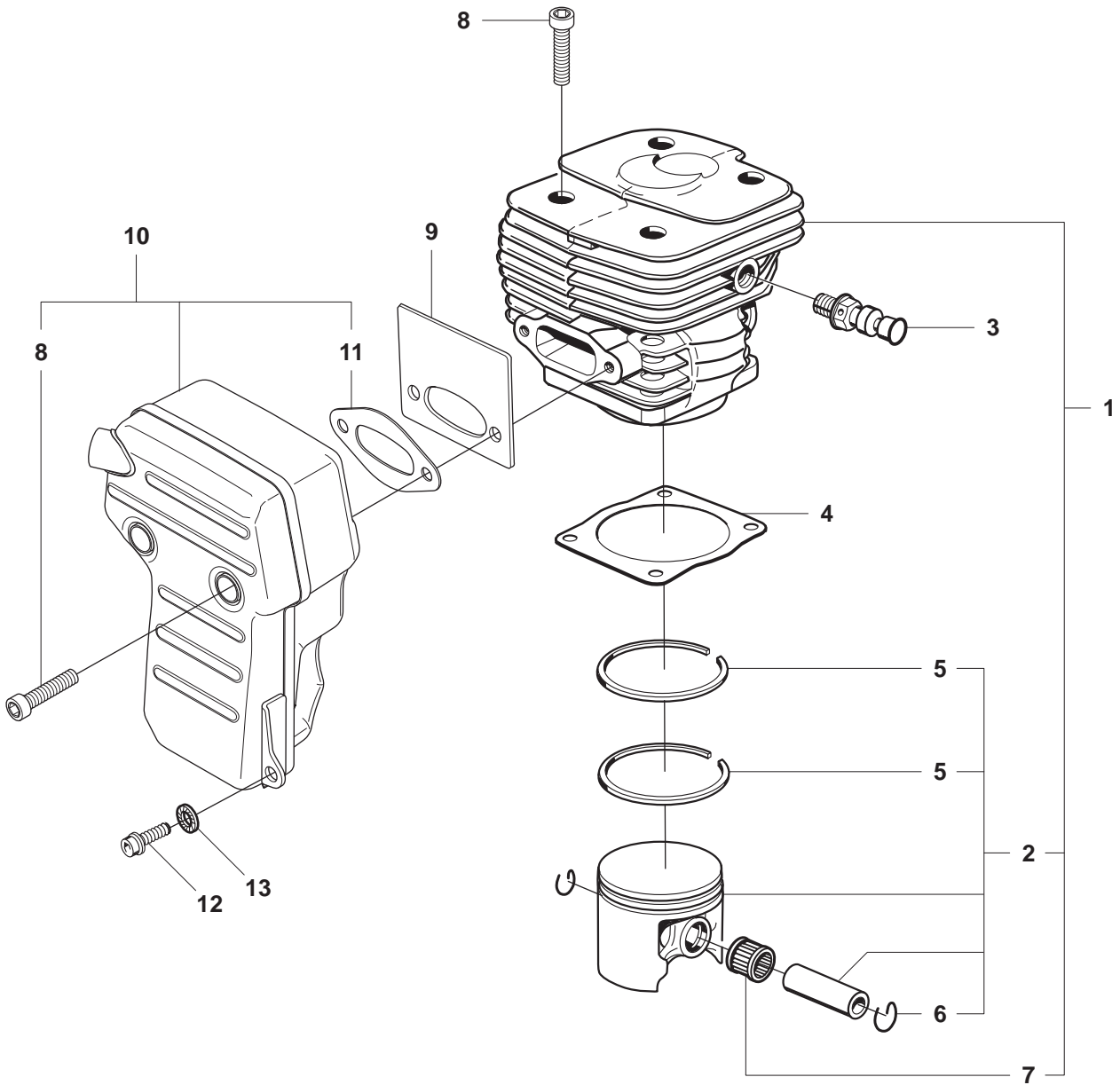
Pos.	Part No.	Description	Quantity	Notes
1	506 26 54-02	BELT GUARD	1	
2	503 20 59-20	SCREW	2	
3	544 93 31-01	LABEL	1	
4	506 23 14-02	GEAR WHEEL ASSY	1	12", 14". Incl. 5
4	506 23 14-01	GEAR WHEEL ASSY	1	16". Incl. 5
5	503 25 38-01	NEEDLE BEARING	1	
6	506 28 59-01	SPACING SLEEVE	1	
7	503 70 15-01	CLUTCH ASSY	1	Incl. 8
8	503 14 51-01	CLUTCH SPRING	3	

D K950 ACTIVE

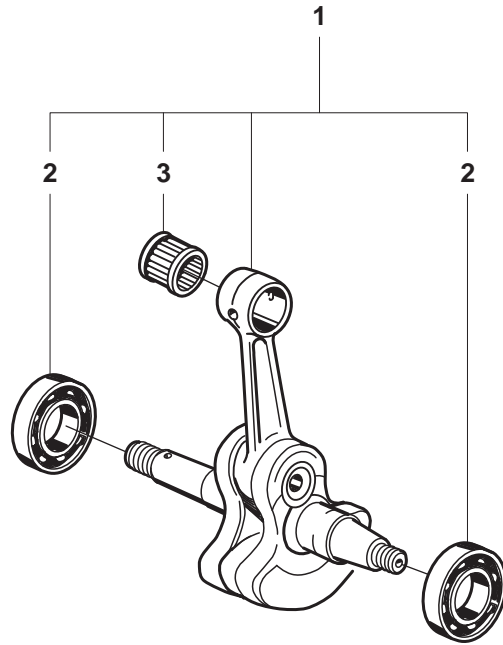


Pos.	Part No.	Description	Quantity	Notes
1	506 23 33-07	CRANKCASE ASSY	1	Incl. 2, 3, 4, 5, 6, 7
2	725 53 40-55	SCREW	9	
3	503 26 02-05	SEALING RING	2	Gasket kit 8
4	720 13 07-10	PIN	2	
5	506 27 31-01	BUFFER	2	
6	506 23 24-01	GASKET	1	Gasket kit 8
7	503 25 00-02	BALL BEARING	2	
8	506 29 05-04	GASKET KIT	1	
9	506 15 82-01	CYLINDER BASE GASKET	1	
10	506 37 81-01	GASKET MUFFLER	1	

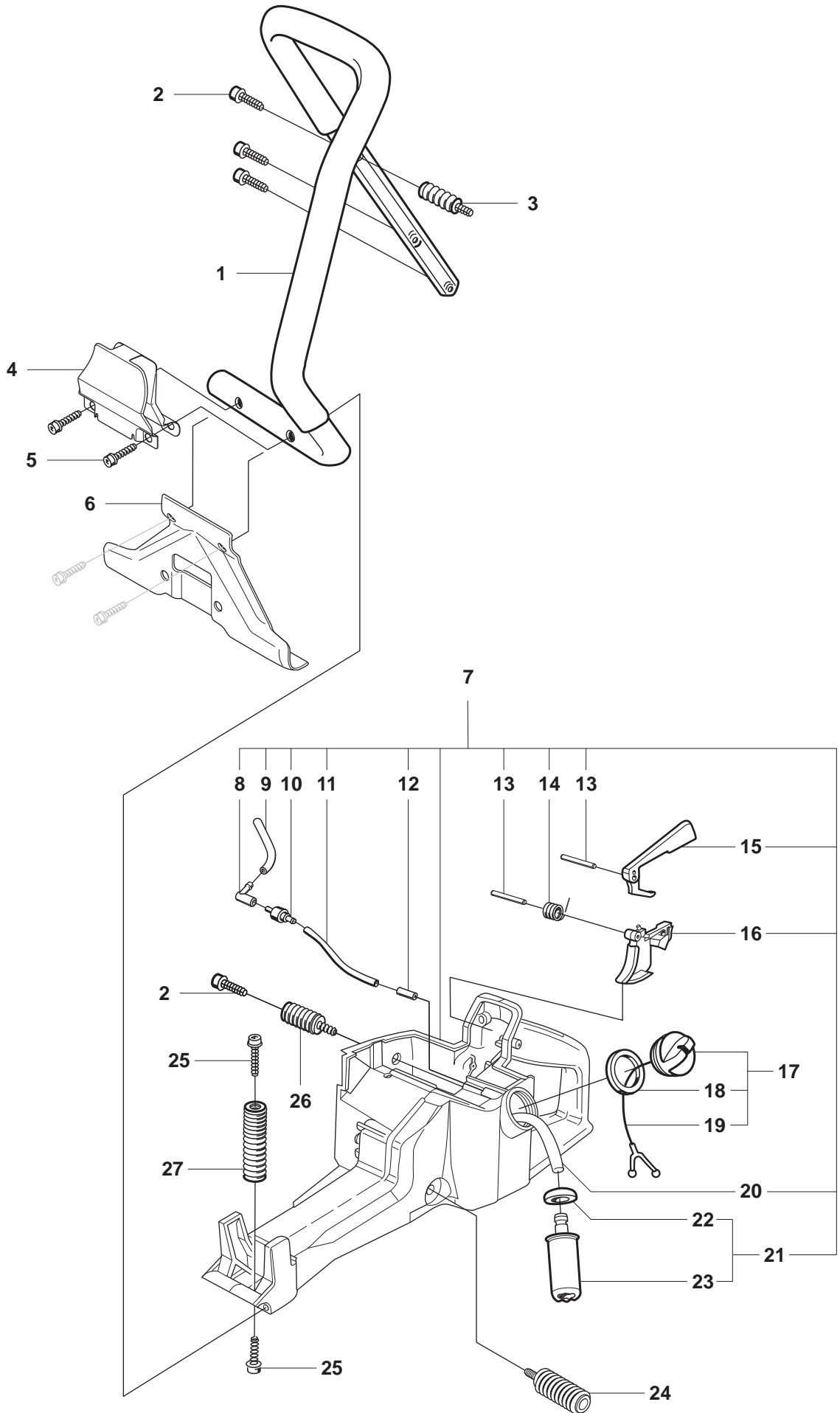
E K950 ACTIVE



Pos.	Part No.	Description	Quantity	Notes
1	506 15 55-06	CYLINDER ASSY	1	Incl. 2, 7
2	506 15 56-02	PISTON ASSY	1	Incl. 5, 6
3	503 66 56-01	DECOMPRESSION VALVE	1	
4	506 15 82-01	CYLINDER BASE GASKET	1	Gasket kit 14
5	503 28 90-24	PISTON RING	2	
6	737 44 13-00	CIRCLIP	2	
7	503 25 61-01	BALL BEARING	1	
8	725 53 72-55	SCREW	6	
9	506 16 91-01	COOLING PLATE	1	
10	506 37 28-02	MUFFLER	1	Incl. 8, 12
11	506 37 81-01	GASKET MUFFLER	1	Gasket kit 14
12	503 20 02-16	SCREW	1	
13	503 23 04-02	WASHER	1	
14	506 29 05-04	GASKET KIT	1	
15	503 26 02-05	SEALING RING	2	
16	506 23 24-01	GASKET	1	

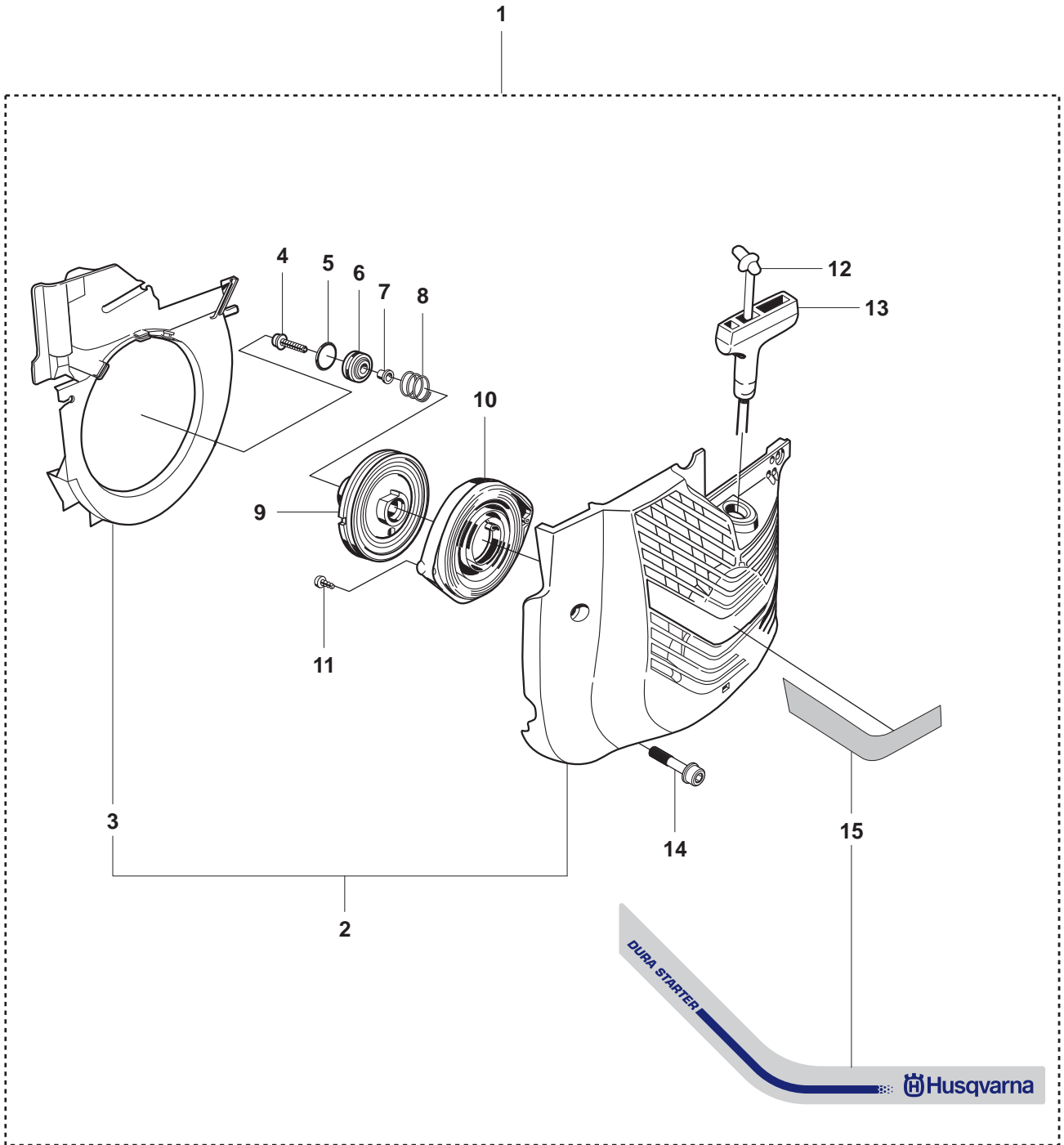


Pos.	Part No.	Description	Quantity	Notes
1	503 78 26-74	CRANKSHAFT ASSY	1	Incl. 2, 3
2	503 25 00-02	BALL BEARING	2	
3	503 25 61-01	NEEDLE BEARING	1	



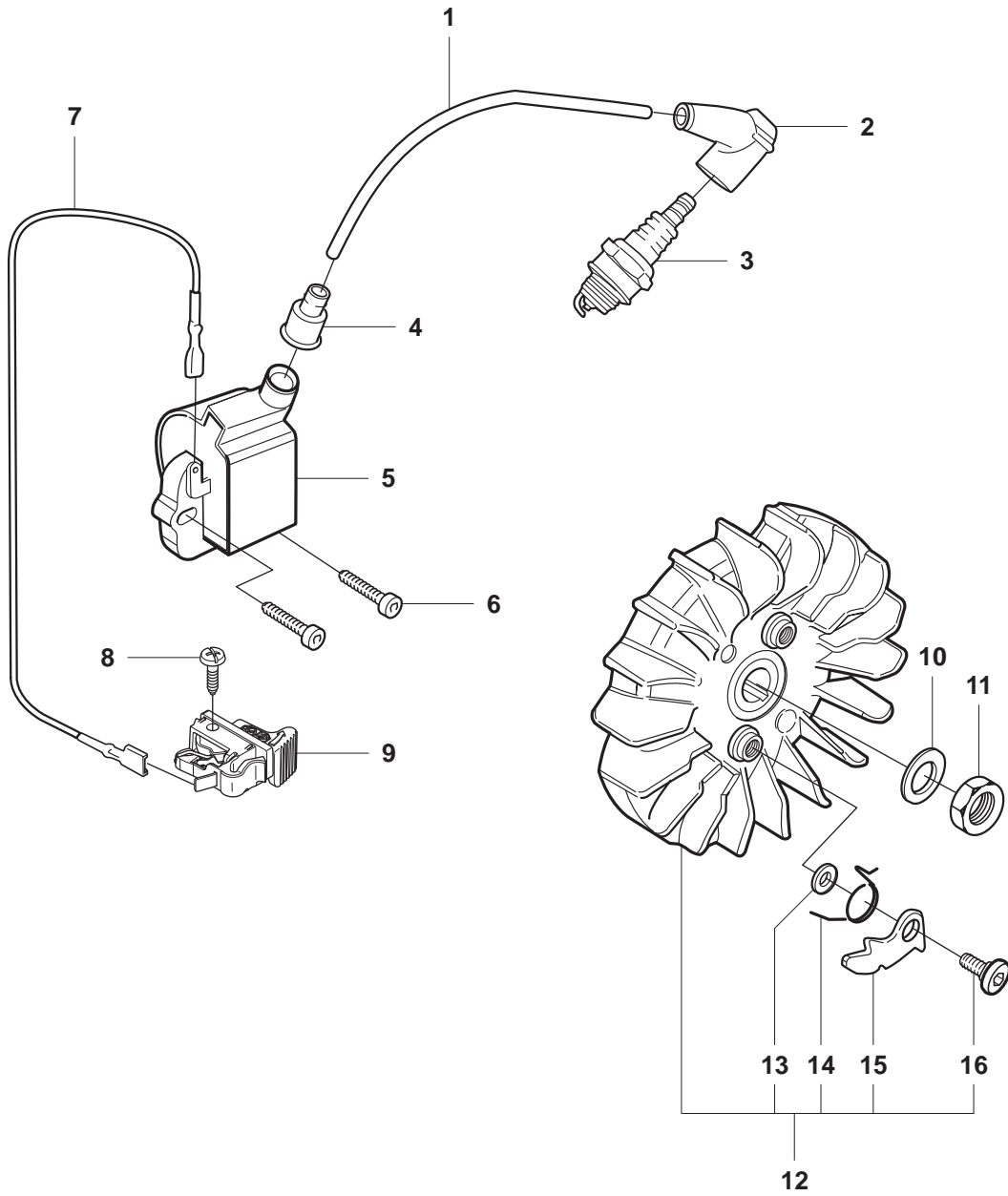
Page G

Pos.	Part No.	Description	Quantity	Notes
1	506 23 13-02	FRONT HANDLE	1	
2	503 21 05-22	SCREW	4	
3	506 28 53-01	VIB.INSULATOR	1	
4	506 29 79-01	PROTECTIVE PLATE	1	
5	503 21 05-45	SCREW	2	
6	506 23 30-01	GROUND SUPPORT	1	14", 16"
7	506 21 68-13	FUEL TANK	1	Incl. 8 - 16, 20, 21
8	503 45 46-01	CONNECTION BEND	1	
9	544 32 49-06	FUEL HOSE	1	
10	506 23 61-01	TANK VENT	1	
11	501 76 83-31	FUEL HOSE	1	
12	506 28 95-01	NIPPLE	1	
13	720 12 40-20	PARALLEL PIN	2	
14	506 22 29-01	SPRING THROTTLE TRIG	1	
15	506 22 28-02	THROTTLE LOCKOUT	1	
16	506 22 27-02	THROTTLE TRIGGER	1	
17	506 25 59-03	TANK CAP ASSY	1	Incl. 18, 19
18	506 29 21-01	GASKET	1	
19	503 57 89-01	HOLDER	1	
20	503 57 76-02	FUEL HOSE	1	
21	506 26 41-11	FUEL FILTER	1	Incl. 22, 23
22	506 27 11-01	HOSE CLAMP	1	
23	506 26 41-01	FILTER	1	
24	544 38 31-01	SPRING	1	
25	503 20 02-16	SCREW	2	
26	506 23 75-01	VIB.INSULATOR	1	
27	503 46 85-01	VIB.INSULATOR	1	

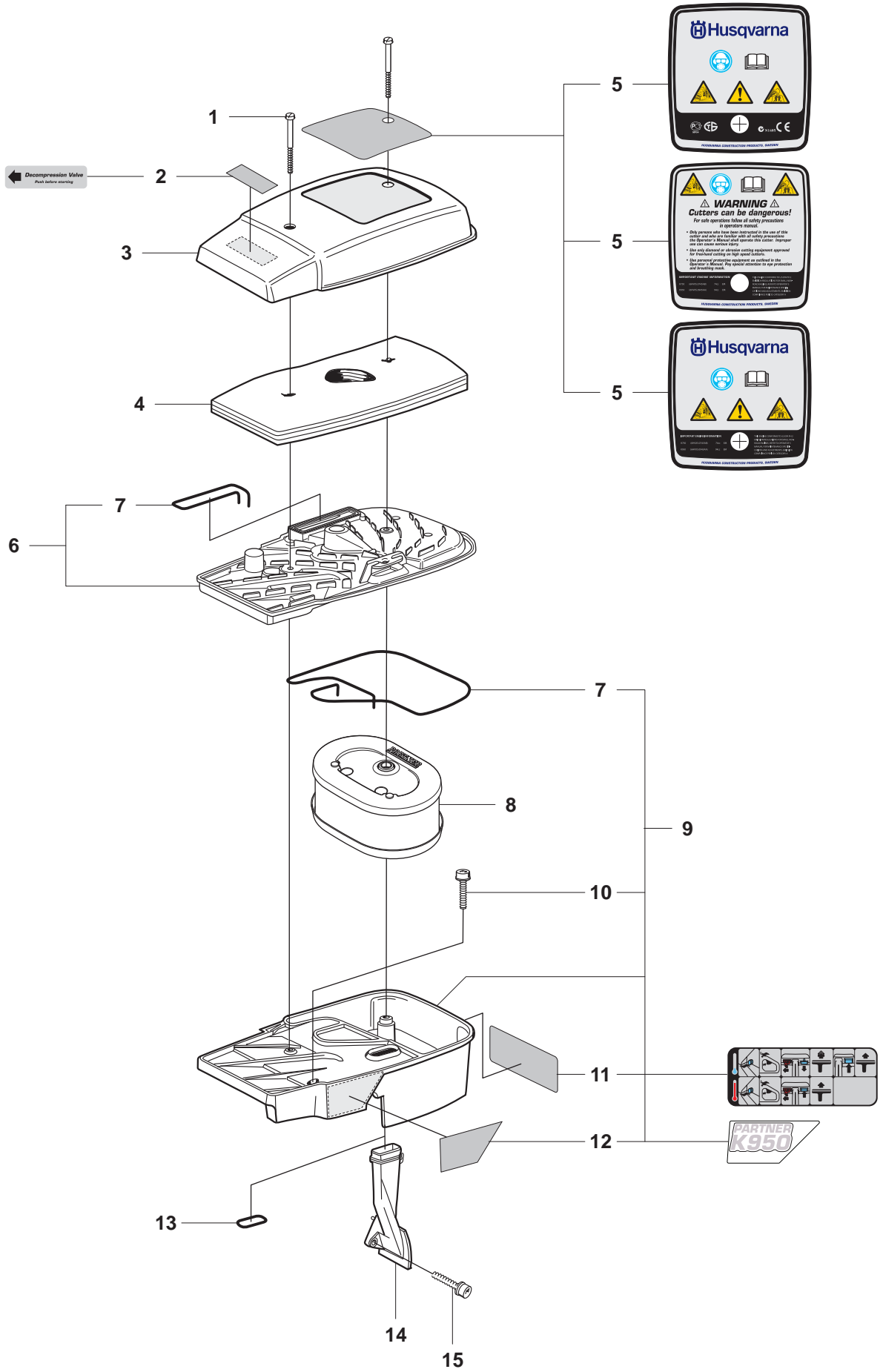


Page H

Pos.	Part No.	Description	Quantity	Notes
1	506 23 59-11	STARTER	1	Incl. 2 - 15
2	506 33 72-03	STARTER COVER	1	Incl. 3
3	506 22 22-02	AIR CONDUCTOR	1	
4	503 21 67-22	SCREW	1	
5	740 43 13-00	O-RING	1	
6	506 2514-01	RECOIL SPRING	1	
7	506 26 31-01	SPACING SLEEVE	1	
8	506 25 30-01	GROMMET	1	
9	506 25 81-02	COMPRESSION SPRING	1	
10	506 25 89-01	STARTER PULLEY	1	
11	503 21 28-10	SCREW	2	
12	506 33 56-15	STARTER CORD	1	
12	506 33 56-50	STARTER CORD	1	50 m. coil
13	503 12 79-01	STARTER HANDLE	1	
14	503 20 59-20	SCREW	4	
15	506 27 23-02	LABEL	1	

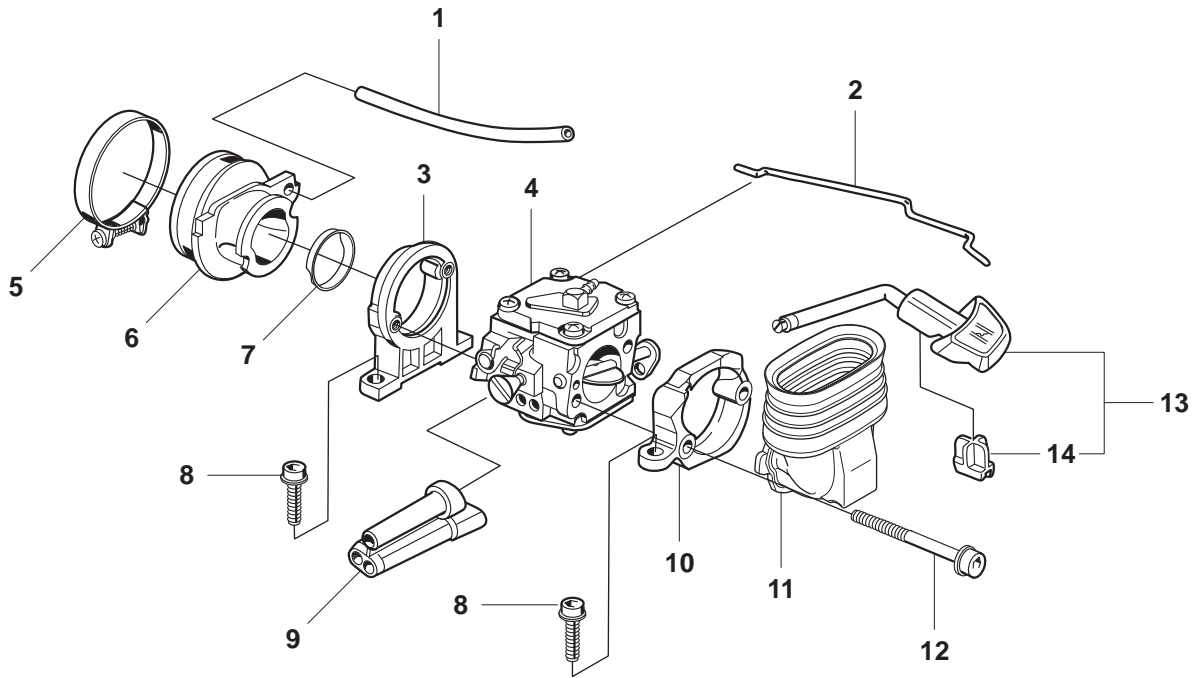
J**K950 ACTIVE**

Pos.	Part No.	Description	Quantity	Notes
1	506 38 78-34	IGNITION CABLE	1	
2	501 48 54-02	SPARK PLUG CAP	1	
3	503 23 51-08	SPARK PLUG	1	RCJ 7Y
4	505 27 75-16	INSULATING CAP	1	
5	544 01 88-01	IGNITION SYSTEM	1	
6	503 20 25-20	SCREW	2	
7	501 83 98-01	CABLE	1	
8	503 21 28-06	SCREW	1	
9	506 31 86-02	STOP SWITCH	1	
10	503 23 01-01	WASHER STEEL	1	
11	503 22 10-11	NUT	1	
12	506 27 27-01	FLYWHEEL	1	Incl. 13, 14, 15, 16
13	503 23 00-42	WASHER STEEL	2	
14	501 63 48-01	SPRING	2	
15	501 67 32-03	PAWL	2	
16	501 81 99-01	SCREW	2	

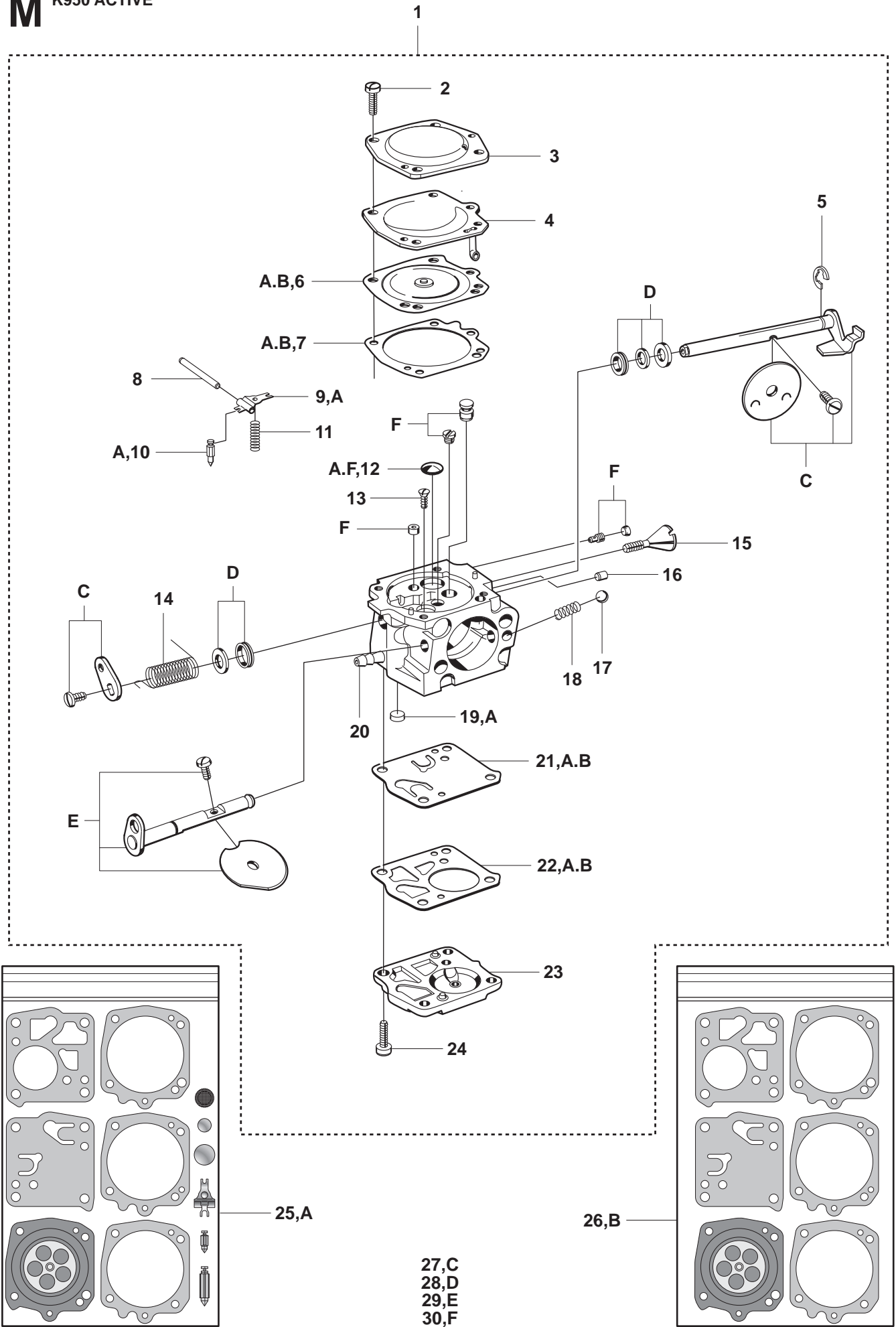


Page K

Pos.	Part No.	Description	Quantity	Notes
1	503 20 34-42	SCREW	2	
2	544 87 46-01	LABEL	1	
3	506 22 17-02	AIR FILTER COVER	1	
4	506 23 19-01	PREFILTER	1	
5	544 87 44-01	LABEL	1	EPA USA
5	544 87 44-02	LABEL	1	CE
5	544 87 44-03	LABEL	1	EPA Canada
6	506 22 18-15	FILTER BOTTOM	1	Incl. 7
7	506 28 39-30	SEALING	2	
8	506 34 70-02	AIR FILTER	1	
9	544 89 14-03	CYLINDER COVER ASSY	1	Incl. 7, 10, 11, 12
10	503 20 02-30	SCREW	3	
11	506 24 39-02	LABEL	1	
12	544 89 07-05	LABEL	1	
13	740 48 20-03	O-RING	1	
15	503 20 02-16	SCREW	1	
17	506 22 94-01	AIR NOZZLE	1	



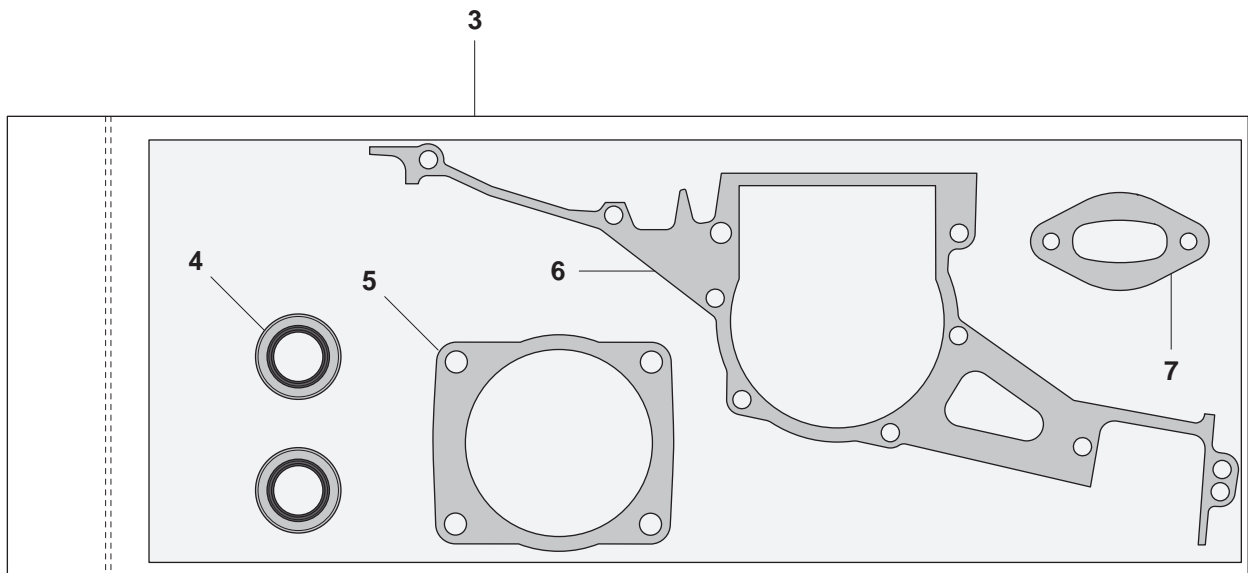
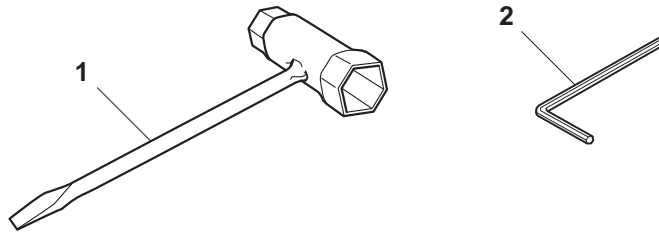
Pos.	Part No.	Description	Quantity	Notes
1	503 40 06-07	IMPULSE HOSE	1	
2	506 22 31-01	THROTTLE WIRE	1	
3	506 13 35-01	CARBURETTOR BRACKET	1	
4	503 28 04-02	CARBURETTOR	1	HS 282-A
5	503 56 00-02	HOSE CLAMP	1	
6	506 22 19-01	INLET PIPE	1	
7	503 67 80-01	SLEEVE	1	
8	503 20 02-16	SCREW	2	
9	506 23 12-01	CHISEL GUIDE	1	
10	506 22 39-01	FLANGE	1	
11	506 36 52-01	INLET BEND	1	
12	503 20 02-55	SCREW	2	
13	506 23 20-11	CHOKE	1	
14	506 27 25-01	WEAR PROTECTION	1	



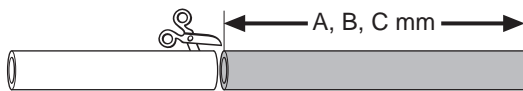
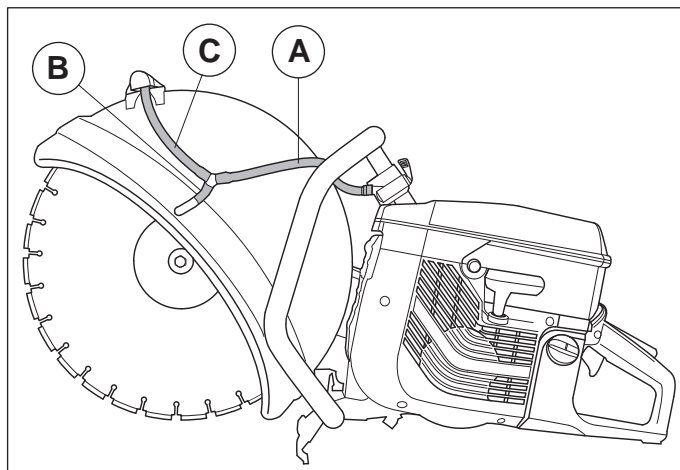
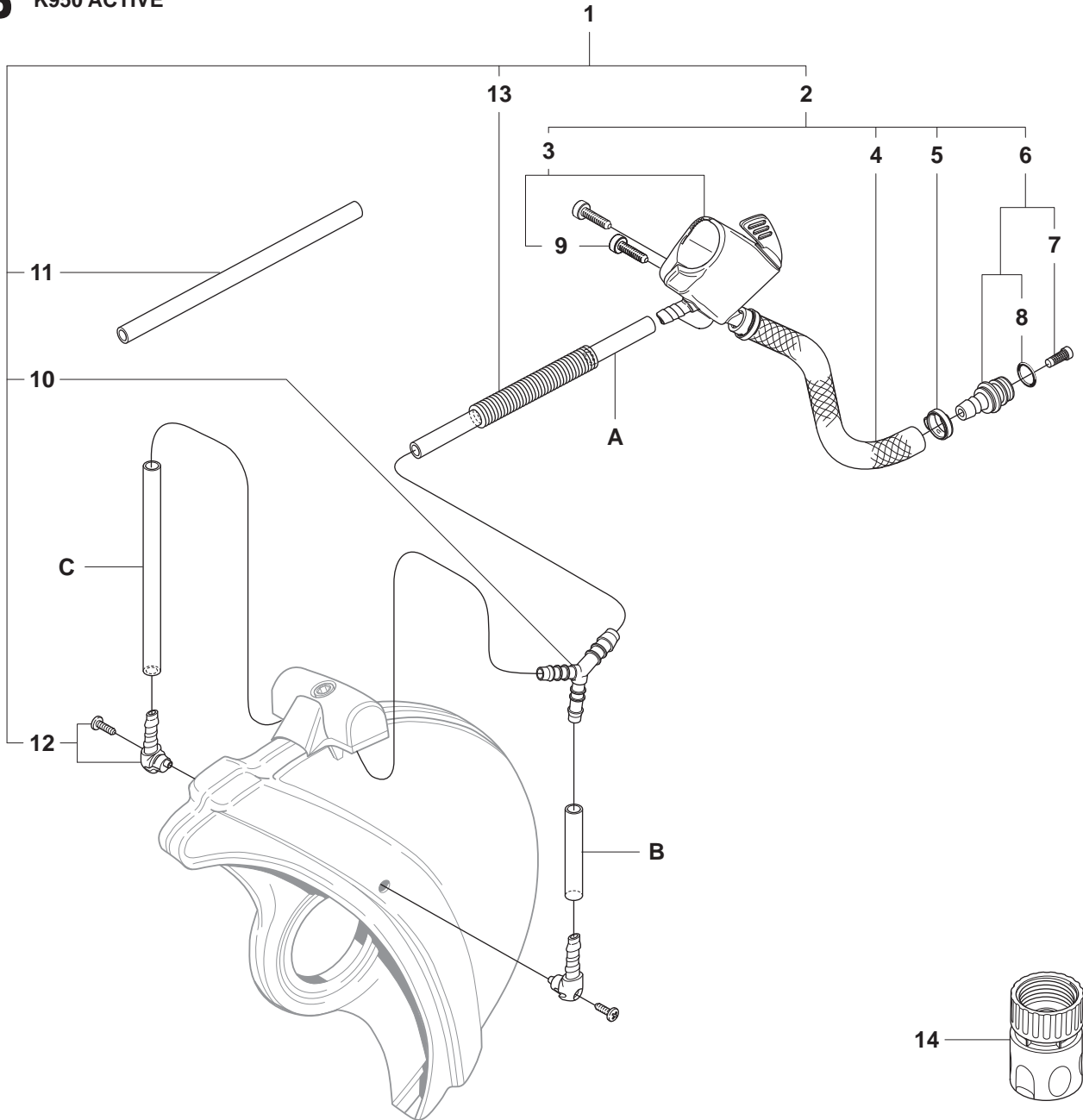
Page M

Pos.	Part No.	Description	Quantity	Notes
1	503 28 04-02	CARBURETTOR	1	Incl. 2-24
2	506 27 14-01	MET.RETENTION SCREW	4	
3	503 53 36-01	DIAPHRAGM COVER	1	
4	506 25 64-02	INSERT	1	
5	501 82 18-01	THROTTLE SH."E"RING	1	
6	506 25 85-01	DIAPHRAGM	1	A, B
7	506 25 84-01	DIAPHRAGM	1	A, B
8	501 22 21-01	PIN RETAINING SCREW	1	
9	501 22 20-01	LEVER	1	A
10	505 31 65-50	INLET NEEDLE	1	
11	501 22 25-01	SPRING	1	A
12	501 22 03-01	WELCH PLUG(LARGE)	1	A, F
13	501 48 52-01	PIN RETAINING SCREW	1	
14	506 28 63-01	SPRING THROTT.RETURN	1	
15	503 57 87-01	IDLE SPEED SCREW	1	
16	503 57 86-01	SPEED SCREW RET BALL	1	
17	501 22 04-01	CHOKE FRICTION BALL	1	
18	501 22 05-01	SPRING	1	
19	503 98 82-01	SCREEN	1	
20	503 53 39-01	TUBE CONNECTOR	1	A
21	501 22 12-01	FUEL PUMP DIAPHRAM	1	A, B
22	501 22 13-01	FUEL PUMP GASKET	1	A, B
23	506 28 68-01	FUEL PUMP COVER	1	
24	501 22 15-01	SCREW	4	
25	506 27 63-01	REPAIR PARTS KIT	1	Incl. 6, 7, 9, 11, 12, 20, 21, 22
26	506 25 88-01	DIAPHRAGM	1	Incl. 6, 7, 21, 22
27	506 29 09-01	THROTTLE SHAFT(KIT)	1	Kit C
28	506 29 10-01	SEALING, KIT	1	Kit D
29	506 29 11-01	CHOKE SHAFT (KIT)	1	Kit E
30	506 29 13-01	JET (KIT)	1	Kit F

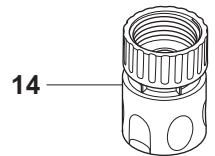
N K950 ACTIVE
Accessories
Zubehöre
Accessoires
Accesorios
Tillbehör



Pos.	Part No.	Description	Quantity	Notes
1	501 69 17-02	COMBINATION TOOL	1	13-19mm
2	502 21 58-01	L SPANNER	1	4 mm
3	506 29 05-04	GASKET KIT	1	Incl, 4, 5, 6, 7
4	503 26 02-05	SEALING RING	2	
5	506 15 82-01	CYLINDER BASE GASKET	1	
6	506 23 24-01	GASKET	1	
7	506 37 81-01	GASKET MUFFLER	1	



Product		A (mm)	B (mm)	C (mm)
K950A	12"	240	45	240
	14"	240	45	280
	16"	270	45	360

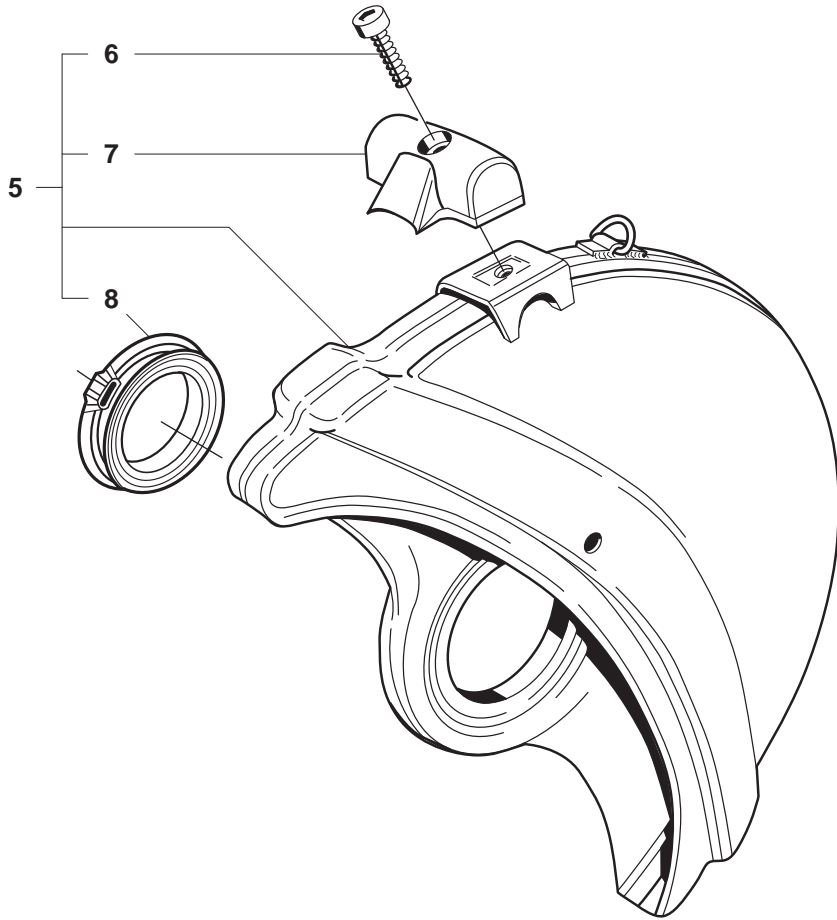
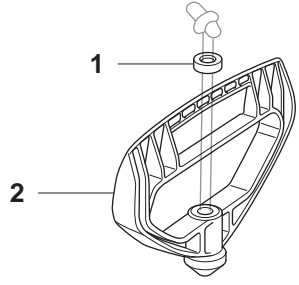


Pos.	Part No.	Description	Quantity	Notes
1	544 00 31-03	WATER HOSE KIT	1	Incl. 2, 10, 11, 12, 13
2	506 38 59-04	HOSE	1	Incl. 3, 4, 5, 6
3	506 31 77-31	VALVE ASSY	1	Incl. 9
4	506 09 75-02	HOSE	1	L=230mm
5	506 09 56-02	HOSE CLAMP	2	
6	506 29 57-02	NIPPLE	1	Incl. 7
7	506 29 88-01	FILTER	1	
8	503 26 30-21	O-RING	1	
9	503 21 06-19	SCREW	2	
10	506 32 87-01	Y-TUBE	1	
11	506 09 58-24	HOSE	1	800mm
12	506 29 56-01	NIPPLE	2	
13	506 35 27-01	PROTECTIVE SPRING	1	
14	503 26 60-01	COUPLER	1	

Q K950 ACTIVE

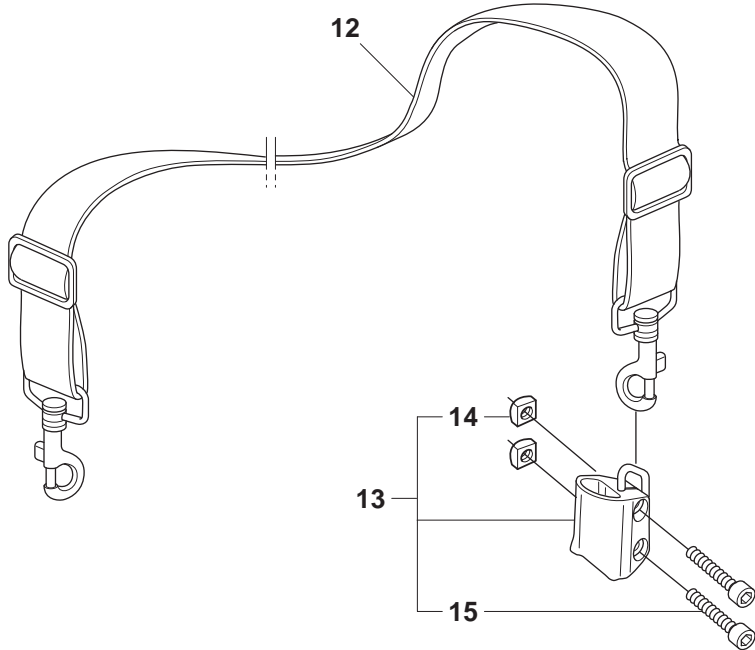
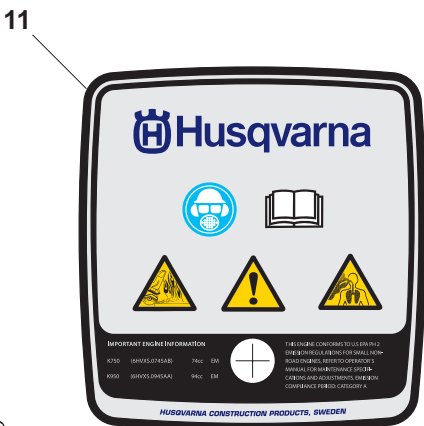
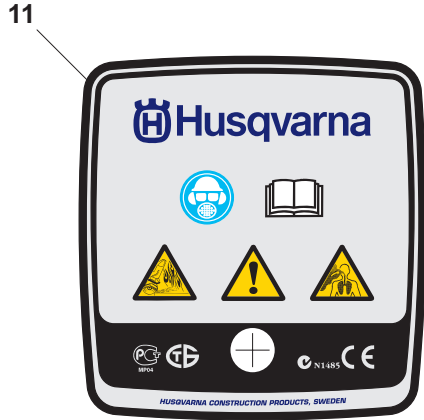
**K12 FD
FIRE-RESCUE**

Rescue



9 Husqvarna Rescue
max 5400 rpm
Ø25.4 (Ø1"), Ø350 (Ø14")

10 **ATTENTION**
This product has been modified for use by
trained fire rescue personnel only.



Page Q

Pos.	Part No.	Description	Quantity	Notes
1	503 14 29-02	WASHER	1	
2	506 29 75-01	STARTER HANDLE	1	
3	506 32 20-02	LABEL	1	
4	506 30 23-02	LABEL	1	
5	506 34 05-24	WHEEL GUARD ASSY	1	Rescue 14". Incl. 6, 7, 8
6	725 53 31-55	SCREW	1	
7	506 34 46-02	HANDLE	1	
8	506 26 63-02	LINING	2	
9	544 89 06-01	LABEL	1	
10	506 32 22-02	LABEL	1	
11	544 87 44-01	LABEL	1	EPA USA
11	544 87 44-02	LABEL	1	CE
11	544 87 44-03	LABEL	1	EPA Canada
12	506 29 76-01	SHOULDER STRAP	1	
13	506 30 25-03	BRACKET	1	Incl. 14, 15
14	503 22 65-04	NUT	2	
15	503 20 02-16	SCREW	2	