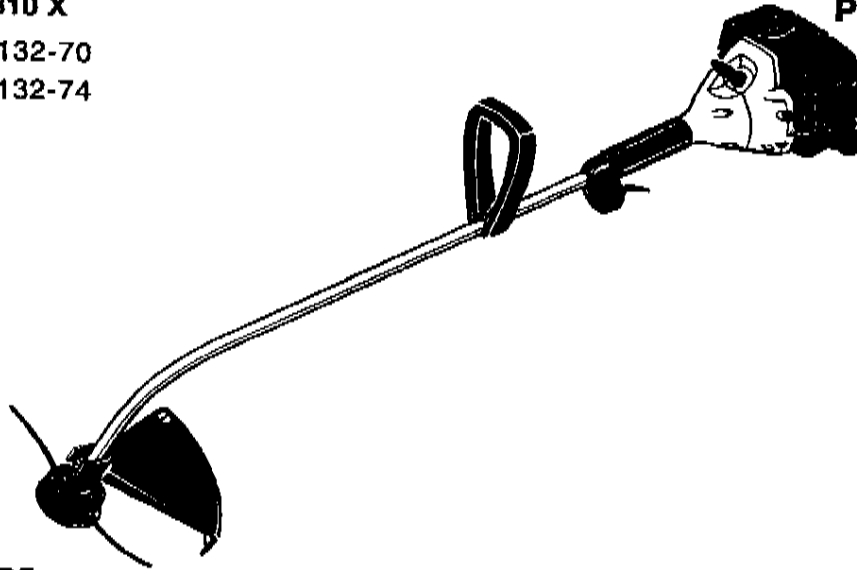


MT 310 X

12400132-70

12400132-74

P/N 211503/E



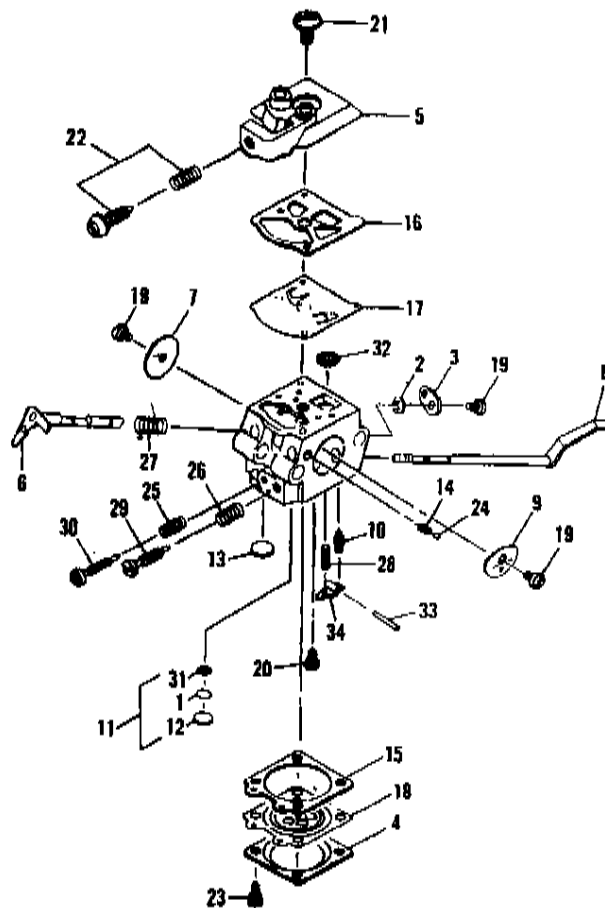
APRIL 1995

McCULLOCH.

224033-02 WALBRO WT231A

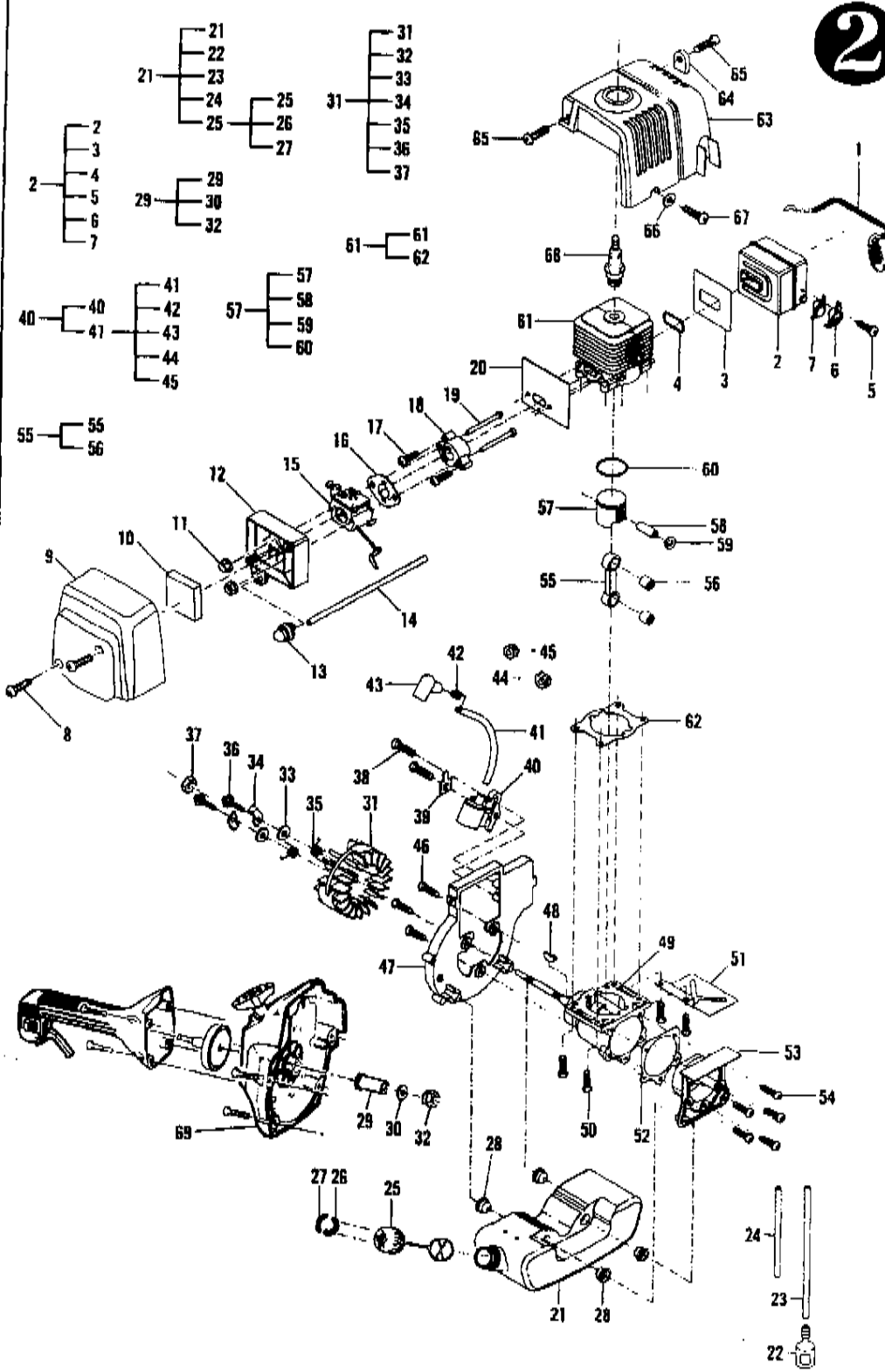
1	⓪	1
2		1
3		1
4		1
5	300072	1
6		1
7		1
8	ⓐ	1
9	ⓑ	1
10	⓪	1
11		1
12	⓪	1
13		1
14	ⓐ	1
15	ⓐⓑ	1
16	ⓐⓑ	1
17	ⓐⓑ	1
18	ⓐⓑ	1
19	ⓐⓑ	3
20	⓪	1
21		1
22		1
23	⓪	4
24	ⓐ	1
25	⓪	1
26	⓪	1
27	⓪	1
28	⓪	1
29	⓪	1
30	⓪	1
31	⓪	1
32	⓪	1
33	⓪	1
34	⓪	1

⓪ 300457
 ⓐ 224460
 ⓑ 322363



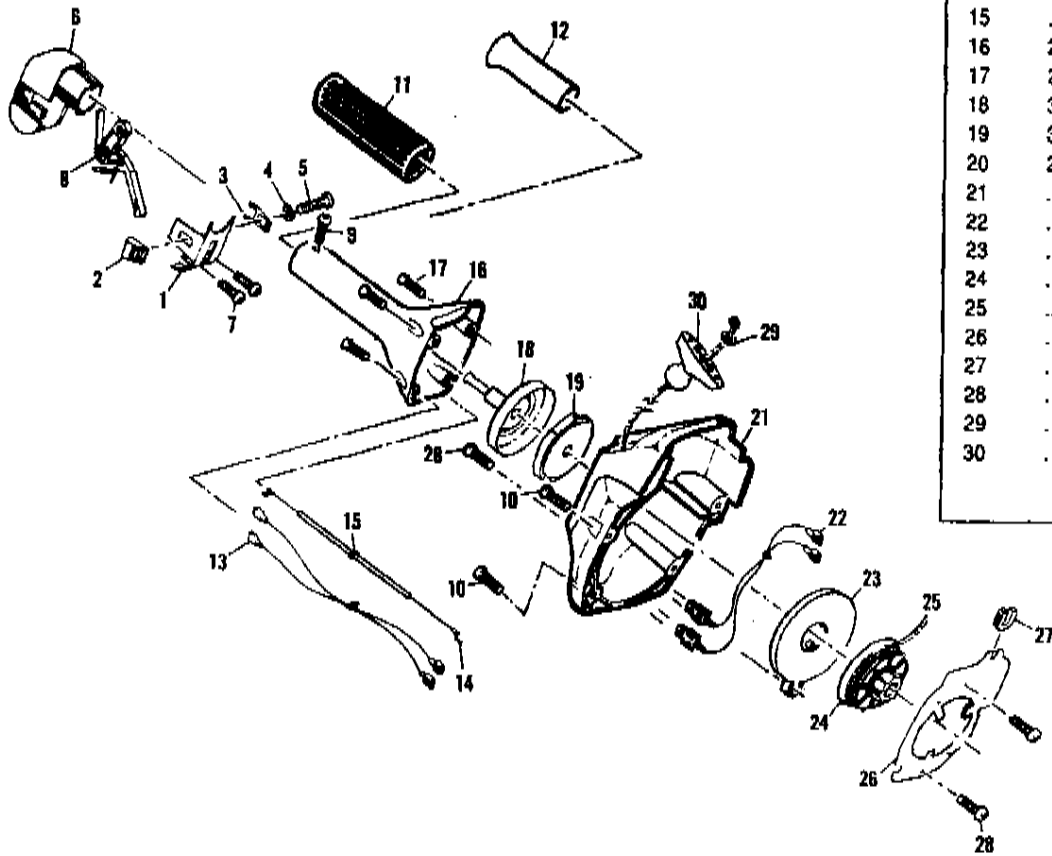
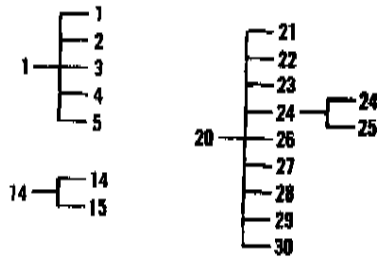
2

1	224044	1
2	300628	1
3	224228	1
4	224922	1
5	111072	1
6	322032	1
7	224040	1
8	111055	2
9	224236	1
10	224239	1
11	111058	2
12	224238	1
13	224242-01	1
14	225163	1
15	FIGURE 1	1
16	218933	1
17	111053	2
18	224041	1
19	111057	2
20	322031	1
21	300871	1
22	216985	1
23	225162	1
24	225163	1
25	300700	1
26	211242	1
27	322250	1
28	322105	4
29	301114	1
30	322844	1
	322847	1
31	300827-01	1
32	322847	1
33	111086	2
34	322297	2
35	322835	2
36	111090	2
37	111085	1
38	111053	2
39	300321	1
40	219848-01	1
41	223884	1
42	102556	1
43	95266	1
44	215533-01	1
45	111095	1
46	111054	3
47	224042	1
48	102164	1
49	300766	1
50	111065	4
51	322030	1
52	224023	1
53	224024	1
54	111065	5
55	224009	1
56	91117	2
57	300663	1
58	300482	1
59	215876	1
60	224217	1
61	300453	1
62	224022	1
63	224235	1
64	322210	1
65	111067	2
66	93469	1
67	111068	1
68	93018	1
69	FIGURE 3	1



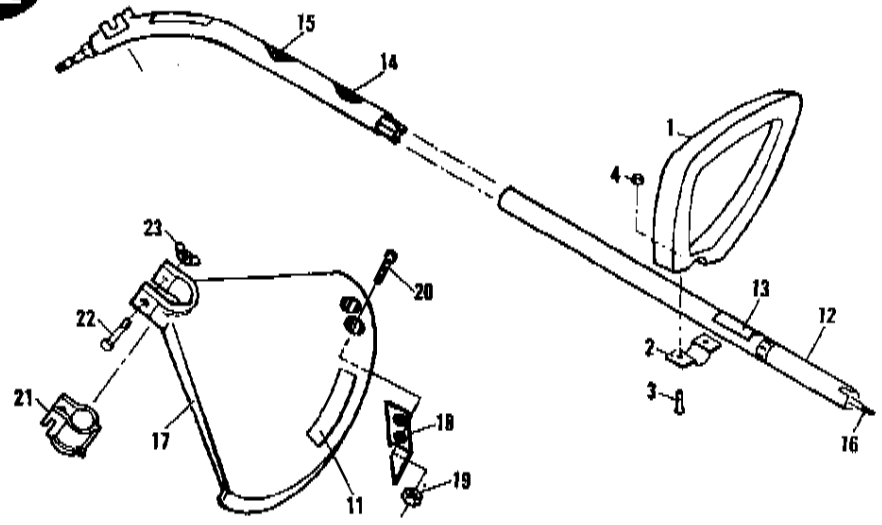
① 32 44 45
NOT USED

3

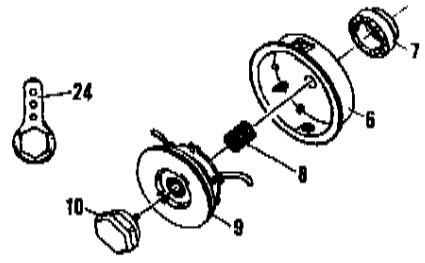
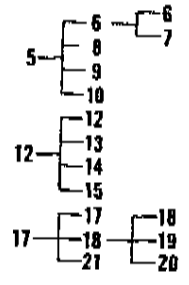


1	300064	1
2	. 224245	1
3	. 224246	1
4	. 105497	1
5	. 111069	1
6	224234	1
7	111061	2
8	300361	1
9	111070	1
10	111054	4
11	322234	1
12	322140	1
13	301133	1
14	300372	1
15	. 111074	1
16	224912	1
17	224919	4
18	302106	1
19	300459	1
20	224916	1
21	. 300616	1
22	. 301134	1
23	. 300475	1
24	. 300872	1
25	. 222869	1
26	. 224927	1
27	. 215553-01	1
28	. 223357	3
29	. 218941	1
30	. 216792	1

4



1	217444	1
2	217442	1
3	120041	2
4	217159	2
5	300651	1
6	. 322025	1
7	.. 224998	1
8	. 322626	1
9	. 300688	1
10	. 300736	1
11	46754-60	1
12	300424	1
13	. 218295	1
14	. 223407	1
15	. 211214	1
16	301024	1
17	300317	1
18	. 300626	1
19	.. 216682	2
20	.. 217935	2
21	. 224499	1
22	216595	1
23	111102	1
24	322344	1



N.m

LOCTITE

8	111055	1 - 2	----
11	111058	3 - 3.5	----
17	111053	5 - 5.6	242
32	322847	19 - 19.7	242
38	111053	5 - 5.6	242
46	111054	3.4 - 4	----
50	111065	6 - 6.7	242
54	111065	8 - 9	242
68	93018	12.5 - 13.5	----
10	111054	3.4 - 4	----
17	224919	3.4 - 4	----