

McCULLOCH®



28cc and 32cc GAS POWERED STRAIGHT SHAFT STRING TRIMMERS / BRUSHCUTTERS

McCulloch products are identified by a model number (in this instance 400132) followed by a suffix number (91). Suffix numbers denote variations in parts or assemblies used in the manufacture of this product.

Illustrated Parts Lists (IPLs) contain a PART NUMBER, DESCRIPTION, UNITS per assembly and STOCKING CODE for each part.

Stocking Codes are:

- A - Dealer stocked. Fast to medium moving part.
- B - Distributor stocked. Medium to slow moving part.
- C - Factory stocked. Slow moving part.

NOTE: The following explains symbols and footnotes in this IPL:

- (-) A dash preceding a PART NUMBER indicates that it is a new part number, different from the one listed in the previous IPL for this unit.
- (.) One or more dots (. Spring, Starter) preceding a part DESCRIPTION indicates the part is included in the kit or assembly described directly above the dot(s).
- (-- --) If four dashes appear in place of a PART NUMBER, the part is not available individually but is included in the next higher assembly or subassembly.
- ①② Circled numbers preceding a DESCRIPTION footnote the part or assembly to additional information on the page.
- (*) As asterisk denotes that choices follow or precede.
- (†) Serial Number Prefix (in this instance 22-) denotes CARB approved unit -- all parts are interchangeable with Serial Number Prefix (12-).

The policy of McCulloch is one of continual improvement in design, manufacturing and engineering advancement wherever possible to assure still finer power tools. Hence, specifications, equipment colors, design and manufacturer's suggested list prices are subject to change without notice. McCulloch reserves the right to make such changes without prior notification or obligation to backfit or supply backfit components for units previously shipped from the factory.

MODEL NAME	(†)SERIAL NUMBER PREFIX	MODEL NUMBER	ENGINE SIZE	DRIVE	SHAFT	STYLE HANDLE
MT3303	-	-	32cc	CLUTCH	56" FLEX	J w/POLE
MAC 2380L	(†)22-	400132-91	32cc	DIRECT	48"	LOOP
MAC 284S	12-	400128-77	28cc	DIRECT	48"	LOOP
MAC 284S	12-	400128-86	28cc	DIRECT	48"	LOOP
MAC 284S	12-	400128-87	28cc	DIRECT	48"	LOOP
MAC 3227	(†)22-	400132-00	32cc	CLUTCH	56" FLEX	J
MAC 3227	12-	400132-28	32cc	CLUTCH	56" SOLID	BICYCLE
MAC 3227	12-	400132-32	32cc	CLUTCH	56" FLEX	J w/POLE
MAC 3227	(†)22-	400132-60	32cc	CLUTCH	56" FLEX	J w/POLE
MAC 3227	12-	400132-84	32cc	CLUTCH	56" FLEX	J w/POLE
MAC 3227HD	(†)22-	400132-02	32cc	CLUTCH	56" SOLID	BICYCLE
MAC 3227HD	12-	400132-64	32cc	CLUTCH	56" SOLID	BICYCLE
MAC 3227S	(†)22-	400132-90	32cc	CLUTCH	56" SOLID	J
Eager Beaver 287BCS	12-	400128-26	28cc	CLUTCH	56" FLEX	J w/POLE
Eager Beaver 287HD	12-	400128-62	28cc	CLUTCH	56" FLEX	J
Eager Beaver 297BCS	12-	400128-56	28cc	CLUTCH	56" FLEX	J w/POLE
Eager Beaver 327BC	12-	400132-12	32cc	CLUTCH	56" FLEX	J w/POLE
Eager Beaver 327BC	12-	400132-38	32cc	CLUTCH	56" FLEX	J w/POLE
Eager Beaver 327BC	12-	400132-54	32cc	CLUTCH	56" FLEX	Jw/POLE
PowerPro P1732ST	(†)22-	400132-87	32cc	DIRECT	48"	LOOP
PowerPro P1732BC	(†)22-	400132-88	32cc	CLUTCH	56" SOLID	J w/POLE
ProMac II HD	12-	400132-62	32cc	CLUTCH	56" FLEX	J w/POLE
ProMac III Super	12-	400132-06	32cc	CLUTCH	56" FLEX	J w/POLE
ProMac III Super	12-	400132-40	32cc	CLUTCH	56" SOLID	J w/POLE
ProMac IV	12-	400132-56	32cc	CLUTCH	56" SOLID	J w/POLE
ProMac IV AV Super	12-	400132-48	32cc	CLUTCH	56" SOLID	J w/POLE
ProMac IV HD	12-	400132-49	32cc	CLUTCH	56" SOLID	BICYCLE
Pro-Scaper 28S	12-	400128-54	28cc	CLUTCH	56" FLEX	J
Pro-Scaper 28S	12-	400128-68	28cc	CLUTCH	56" FLEX	J
Pro-Scaper 32HDS	12-	400132-30	32cc	CLUTCH	56" SOLID	BICYCLE
Silver Eagle 32BCS	12-	400132-08	32cc	CLUTCH	56" FLEX	J w/POLE
Silver Eagle 32BC DLX	12-	400132-10	32cc	CLUTCH	56" SOLID	BICYCLE

MARCH 2003

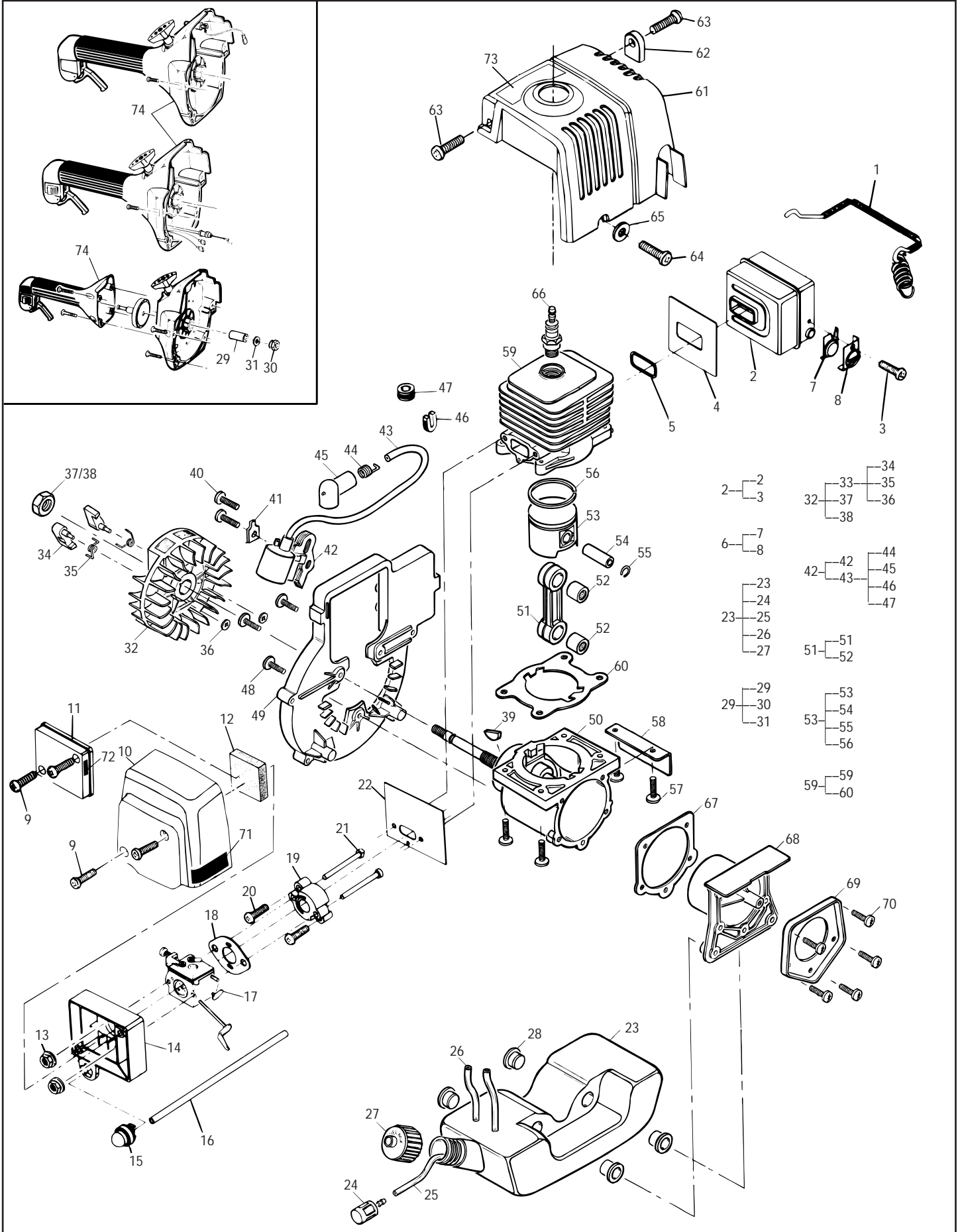
ILLUSTRATED PARTS LIST

P.O. Box 31567

Tucson, Arizona 85751-1567 • U.S.A.

FIGURE 1

POWERHEAD ASSEMBLY



POWERHEAD ASSEMBLY

FIGURE 1

ITEM NO.	STK CODE	PART NUMBER	DESCRIPTION	UNITS PER ASY
1	A	MC-224044	Spring, Muffler	1
2	B	MC-224034	Kit, Muffler, 28/32	1
3	B	MC-111072	Screw, 8-18 x .31 Pn Hd SI Torx	1
4	A	MC-224228	Gasket, Muffler, 28/32	1
5	A	MC-224922	Gasket, Exhaust Port	1
6	A	MC-302424	Kit, Spark Arrester, ST	1
7	A	MC-224040	Screen, Spark Arrester	1
8	A	MC-322032	Cover, Spark Arrester	1
9	A	MC-111055	Screw, 10-14 x .625, Plast	2
10	A	MC-224236	⑥ Cover, Air Cleaner, Large (Black)	1
11	A	MC-224237	⑦ Cover, Air Cleaner, Small (Black)	1
12	A	MC-224239	Filter, Air	1
13	A	MC-111058	Nut, 10-24 Hex, Flange	2
14	A	MC-224238	⑦⑧⑨ Box, Air (Blk)	1
15	A	MC-224242-01	Primer, Remote, Zama	1
16	A	MC-225163	Hose, Fuel Return	1
17	-	FIGURE 3	Carburetor w/Choke	1
18	A	MC-218933	Gasket, Carburetor	1
19	A	MC-224041-02	Insulator, Carburetor	1
20	A	MC-111053	Screw, 10-24 x .88 Thd Form	2
21	A	MC-111057	Screw, 10-24 Spl	2
22	A	MC-322031	Gasket, Manifold	1
23	B	MC-302349	Tank, Fuel, Cap Ret (Natural)	1
24	B	MC-216985	Filter, Fuel	1
25	A	MC-225162	Hose, Fuel, 28/32	1
26	A	MC-225163	Hose, Fuel Return	1
27	A	MC-223508	Cap, Fuel, w/Retainer	1
28	A	MC-322105	Isolator, Fuel Tank, 28/32	4
29	A	MC-301114	② Kit, Spacer, Clutch	1
30	B	MC-322847	Nut, Hex, 7/16-20	1
31	B	MC-322844	Washer, Shaft	1
32	B	MC-301352-01	Kit, Flywheel, 28/32	1
33	A	MC-550001	Kit, Pawls/Flywheel	1
34	-	---	Pawl, Starter, CCW Rotation	2
35	-	---	Spring, Starter Pawl, CCW	2
36	-	---	Ring, Retainer	2
37	B	MC-111085	① Nut, Direct Drive	1
38	B	MC-322847	② Nut, 7/16-20, Clutch Drive	1
39	A	MC-102164	Key, Flywheel	1
40	A	MC-111053	Screw, 10-24 x .88 Thd Form	2
41	B	MC-300321	Terminal Tab	1
42	A	MC-302138	Ignition Asy	1
43	A	MC-223884	Kit, Spark Plug Wire	1
44	A	MC-102556	Connector, Spark	1
45	A	MC-95266	Boot, Spark Plug	1
46	B	MC-215533-01	② Grommet, H/T Lead, Split	1
47	B	MC-110995	⑤ Grommet, S/Plug Wire	1
48	A	MC-111067	Screw, 10-24x.63 SITorxTp	3
49	A	MC-224042	Shroud, Engine	1
*50	C	MC-224703	① Short Block Asy, DD	1
-	---	---	C'case Asy	1
-	---	---	C'case, Machined	1
-	---	---	Bearing 6202	1
-	---	---	Bearing 6202RS	1
-	---	---	Seal	1
-	---	---	Spacer	1
-	---	---	O-ring	1

ITEM NO.	STK CODE	PART NUMBER	DESCRIPTION	UNITS PER ASY
*50	B	MC-224701	② C'case/C'shaft Asy, Clutch Drive	1
-	---	---	C'shaft Asy	1
-	---	---	C'case, Machined	1
-	---	---	Bearing 6202	1
-	---	---	Bearing 6202RS	1
-	---	---	Seal	1
-	---	---	Spacer	1
-	---	---	O Ring	1
51	-	---	Rod, Connecting Asy	1
52	-	---	Bearing	2
53	-	---	③ Kit, Piston, 28cc Aluminum	1
54	-	---	Pin, C'shaft Piston	1
55	-	---	Ring, Retaining	1
56	-	---	Ring, Piston, 35mm	1
53	-	---	④ Kit, Piston, 32cc Aluminum	1
54	-	---	Pin, C'shaft Piston	1
55	-	---	Ring, Retaining	1
56	-	---	Ring, Piston	1
57	A	MC-111065	Screw, 10-24 x .688 Tri Rnd	4
58	A	MC-322030	Shield Muffler	1
59	-	---	③ Kit, Cylinder/Gasket, 28cc Chrome	1
60	A	MC-224022	Gasket, Cylinder	1
59	-	---	④ Kit, Cylinder/Gasket, 32cc Chrome	1
60	A	MC-224022	Gasket, Cylinder	1
61	B	MC-224235	⑦⑧ Cover, Cylinder/Muffler (Black)	1
62	A	MC-322210	Washer, Plastic	1
63	A	MC-111067	Screw, 10-24 x .63 SI Torx Tp	2
64	B	MC-111068	Screw, 10-14 x 1.38 Taptitle	1
65	A	MC-93469	Washer, .4690D/.222ID	1
66	A	MC-92879	Spark Plug, RDJ8J	1
67	A	MC-224023	Gasket, C'case	1
68	A	MC-224024-01	Plug, C'case	1
69	C	MC-322437-90	Plate, C'case, Coated Finish	1
70	A	MC-111065	Screw, 10-24 x .688 Tri Rnd	5
74	-	FIGURE 2	Starter/Clutch Housing Asy	1

① Direct Drive Models Only (refer to chart on page 1)		
② Clutch Drive Models Only (refer to chart on page 1)		
③ 28cc Models Only (refer to chart on page 1)		
④ 32cc Models Only (refer to chart on page 1)		
⑤ Not Used On These Models		

⑥ 12400132-06	⑥ MT3311	222400132-60
12400132-40	12400128-26	12400132-64
12400132-48	12400128-56	12400132-84
12400132-49	12400132-00	22400132-90
12400132-56	12400132-02	
12400132-62	12400132-08	⑥ 22400132-87
⑦ 12400128-54	12400132-10	12400132-88
12400128-62	12400132-12	
12400128-68	12400132-28	
12400128-77	12400132-30	
12400128-86	12400132-32	
12400128-87	12400132-38	
22400132-91	12400132-54	

SHORTBLOCKS

PN 224701	32cc Direct Drive (Stk Code B)
PN 224703	32cc Clutch Drive (Stk Code B)

FIGURE 2

STARTER/CLUTCH HOUSING ASSEMBLY

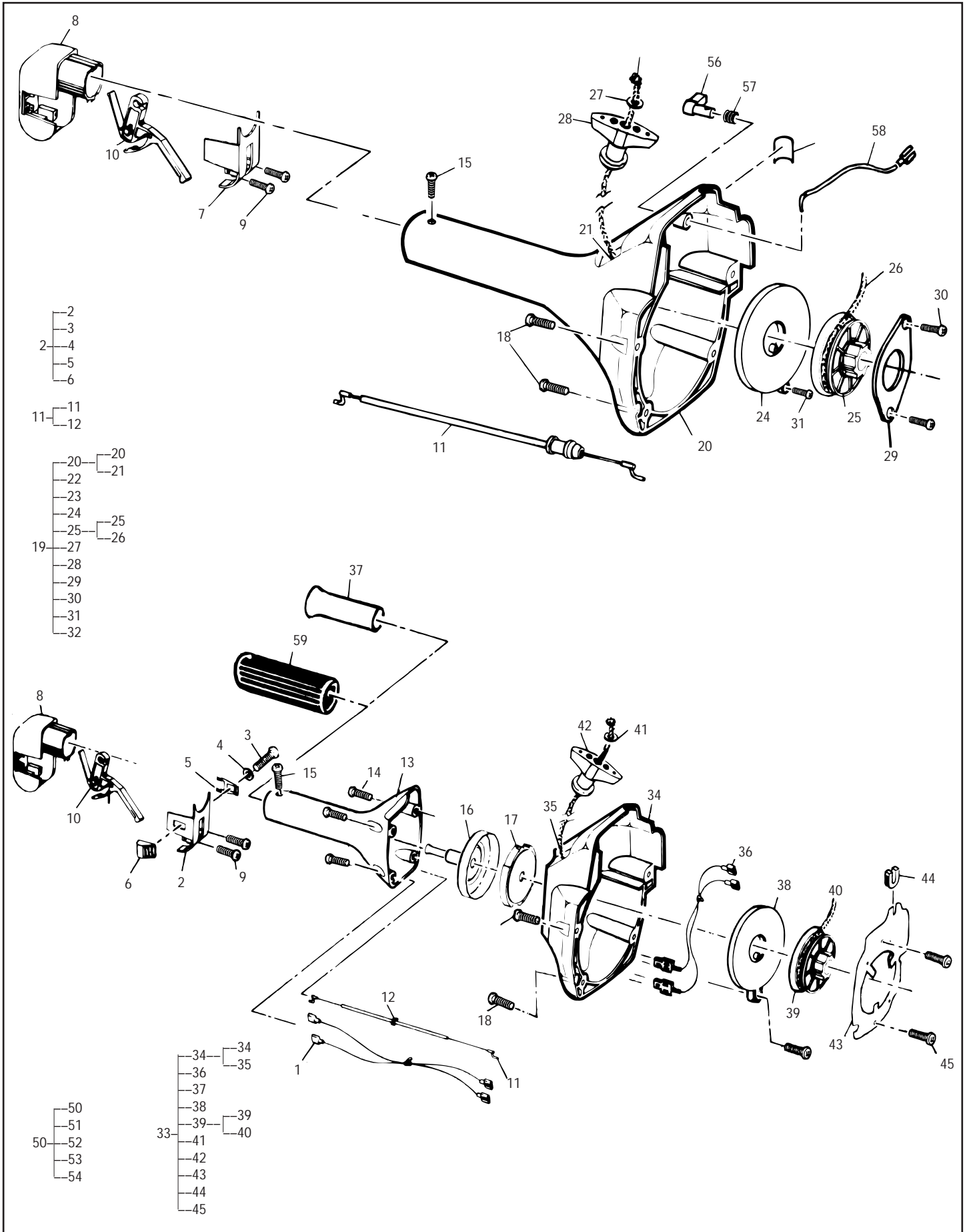
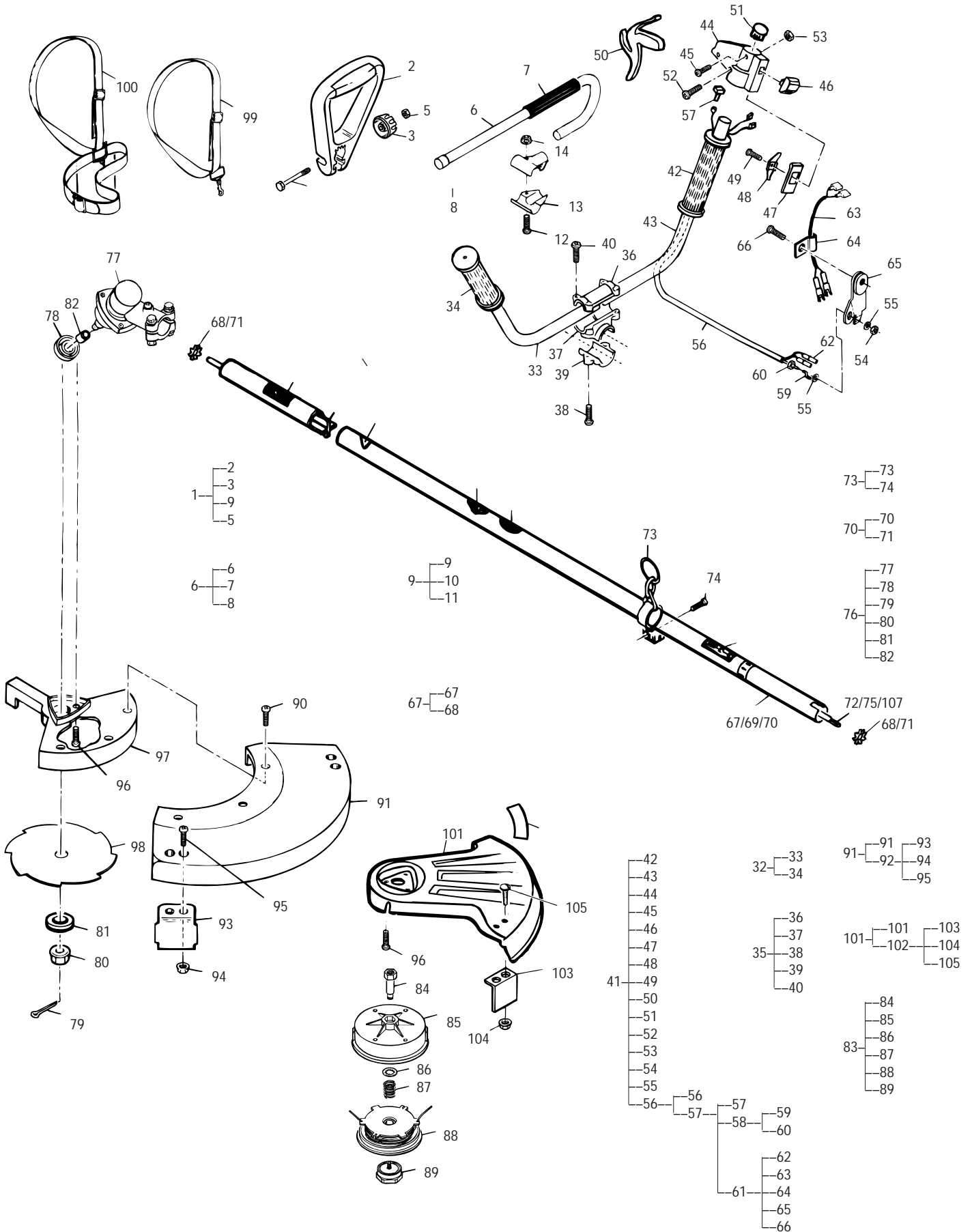


FIGURE 3

SHAFT / HANDLE / STRINGHEAD ASSEMBLY



SHAFT / HANDLE / STRINGHEAD ASSEMBLY

FIGURE 3

ITEM NO.	STK CODE	PART NUMBER	DESCRIPTION	UNITS PER ASY
1	B	MC-300834	③ Handle, Delta Kit	1
2	-	---	Assist Handle w/Cap Asy	1
3	B	MC-322719	Knob	1
4	B	MC-09075-99	Bolt, 1/4 in.-20 x 2.5 Hx Cap	1
5	B	MC-13035-99	Nut, 1/4 in.-20 x .22 T	1
6	B	MC-300541	⑤ Handle, J-Grip Asy w/ Barrier Pole	1
7	C	MC-322139	Grip	1
8	-	---	Plug, Tubing	1
12	A	MC-217935	Screw, 10-24x.5 Torx	2
13	A	MC-217292	Clamp, Handle	2
14	A	MC-218315	Nut	1
32	B	MC-216868-01	Bar Asy, Handle	1
33	-	---	Bar, Handle	1
34	B	MC-94212	Grip, Handle	1
35	B	MC-217974	Clamp Asy	1
36	-	---	Clamp, Top	1
37	-	---	Centerpiece	1
38	-	---	Bolt, Hex M6 x 30.0	2
39	-	---	Clamp, Bottom	1
40	-	---	Bolt, Hex M5 x 25	4
41	B	MC-300549-02	⑥ Handle Asy/Trigger	1
42	B	MC-215322	Grip	1
43	C	MC-323721	Bar, Handle	1
44	B	MC-222794	Housing, Trigger throttle	1
45	A	MC-223200	Screw, Self Tapping, 10-16	1
46	A	MC-68846	Button, Stop Switch	1
47	A	MC-215319	Base, Stop Switch	1
48	A	MC-215320	Contact, Switch	1
49	A	MC-110706	Screw, 8-18x.5	1
50	A	MC-300361	Trigger, Throttle	1
51	B	MC-218328	Plug, Tubing	1
52	A	MC-216027	Screw, M5x28.5 Sems	1
53	A	MC-217159	Nut, Hex M5	1
54	A	MC-217403	Nut, Hex M6x1	1
55	A	MC-216596	Washer, Flat M6	2
56	A	MC-300673	Kit, Wire/Cable Asy/Guide	1
57	A	MC-215323	Guide	1
58	-	---	Wire/Cable Asy	1
59	A	MC-322273	Cable, Throttle	1
60	A	MC-217403	Nut, Hex M6x1	1
61	B	MC-300825	Kit, Wire Asy	1
62	-	---	Wire/Terminal Asy	1
63	B	MC-301136	Wire Harness, Ignition	1
64	B	MC-322291	Clip, Wire	1
65	A	MC-322578	Bracket, "T" Cable	1
66	A	MC-111060	Screw, 10-24x1.38 TrHdTorx	1
67	B	MC-300419	② Housing Asy, Outer 1x56, Flex	1
68	-	---	Clip, Retainer	2
69	B	MC-300432	③ Housing Asy, Outer 1x56, Solid	1
70	C	MC-301412	① Housing, Outer 48"	1
71	-	---	Clip, Retainer	2
72	A	MC-301024	Drive Asy, w/Clip 48"	1
73	C	MC-302278	Ring Asy, Harness	1
74	-	---	Bolt, M5x13	1
75	A	MC-217752	Shaft, Drive, Steel	1
76	B	MC-224457	Kit, Gear Housing Asy	1
77	B	MC-323396	Housing, Gear	1
78	A	MC-224136-01	Collar, 20mm	1

ITEM NO.	STK CODE	PART NUMBER	DESCRIPTION	UNITS PER ASY
79	A	MC-218159	Pin, Cotter	1
80	A	MC-216751	Nut, Hex M10 LH	1
81	A	MC-218075	Flange, Spindle	1
82	A	MC-322009-01	Sleeve, Spline	1
83	A	MC-300078-02	Stringhead Asy, L	1
84	A	MC-323682	Stud, M10x1.25 LT STLw/GRV	1
85	A	MC-300091	Housing/Eyelet Asy, L	1
86	A	MC-111073	Ring, Retainer	1
87	A	MC-324089	Spring	1
88	A	MC-300690	Kit, Line on spool, M-Lg	1
89	A	MC-300737	Kit, Knob Asy, Left	1
90	A	MC-224175	Screw, M6x15	3
91	A	MC-300318	Kit, Grass Shield	1
92	A	MC-300626	Kit, Knife	1
93	-	---	Cutter	1
94	-	---	Nut, Lock 10-24 Hex	2
95	-	---	Screw, 10-24x.5 Torx	2
96	A	MC-217935	Screw, 10-24x.5 Torx	3
97	A	MC-224177-01	Shield, Blade	1
*98	C	MC-216513-33	Blade, 8T	1
*98	B	MC-216514-33	Blade, 80T	1
99	A	MC-224083	Harness	1
100	B	MC-217956	Harness Asy	1
101	A	MC-301393	Shield Asy, 15", Left	1
102	A	MC-300626	Kit, Knife	1
103	-	---	Cutter	1
104	-	---	Nut, Lock 10-24 Hex	2
105	-	---	Screw, 10-24x.5 Torx	2
107	A	MC-301026	Drive Assy 56", Fle	1

① 48" Shaft Models Only (refer to chart on page 1)
 ② 56" Shaft Models Only (refer to chart on page 1)
 ③ Loop-style handle (refer to chart on page 1)
 ④ J-style handle (refer to chart on page 1)
 ⑤ J-style handle with barrier pole (refer to chart on page 1)
 ⑥ Bicycle-style handle (refer to chart on page 1)
 ⑦ Used on earlier models, i.e., 12400132-48 and 12400132-56

TORQUE SPECIFICATIONS

DESCRIPTION	FASTENER PART NO.	FIG/ ITEM	TORQUE (IN/LBS)	LOCTITE
C'Case to Cylinder	111065	1 / 57	55 - 60	242
C'Case to Plast Plug	111065	1 / 70	35 - 40	242
Insulator to Cylinder	111053	1 / 20	45 - 50	242
Shroud to C'Case	111067	1 / 48	55 - 60	242
Carburetor	111058	1 / 13	25 - 30	--

DESCRIPTION	FASTENER PART NO.	FIG/ ITEM	TORQUE (IN/LBS)	LOCTITE
Spark Plug	92879	1 / 66	110 - 120	--
Ignition Asy	111053	1 / 40	45 - 50	242
Flywheel Nut	111085	1 / 37	140 - 145	242
Flywheel Nut	322847	1 / 38	140 - 145	242
Starter Housing	111067	2 / 18	30 - 35	--
Clutch Housing	224919	2 / 14	30 - 35	--

[Order McCulloch Trimmer parts on eBay](#)

McCULLOCH®

P.O. Box 31567 • Tucson Arizona 85751-1567 • U.S.A.

• MANUFACTURING • SALES • SERVICE •

FOR WARRANTY OR SERVICE, CONTACT THE NEAREST McCULLOCH
AUTHORIZED SERVICE CENTER LISTED UNDER 'SAWS' IN YOUR
TELEPHONE DIRECTORY YELLOW PAGES.

IF FURTHER ASSISTANCE IS REQUIRED CALL THIS TOLL-FREE HOT LINE.

PLEASE REFERENCE YOUR MODEL AND SERIAL NUMBER.

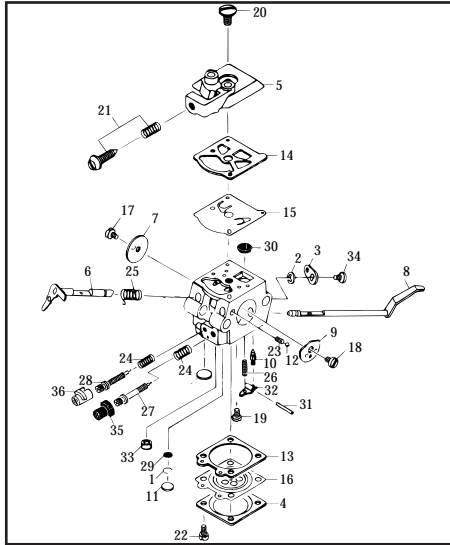
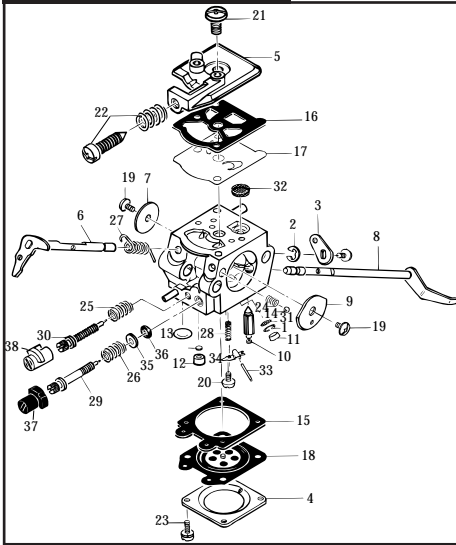
1-800-521-8559

MONDAY - FRIDAY
6:00 AM - 4:30 PM (MST)

www.mccullochpower.com

FIGURE 4

CARBURETOR ASSEMBLY



ITEM NO.	STK CODE	PART NUMBER	DESCRIPTION	UNITS/ASY
1	---	A MC-323602-03	Carb, Walbro WT 434	1
2	---	①	Ring, Screen Ret	1
3	---	---	Ring, Shaft Ret	1
4	---	---	Lever, Throttle	1
5	---	B MC-300072	Cover, Met Lever	1
6	---	---	Cover, Fuel Pump	1
7	---	---	Shaft Asy, Throttle	1
8	---	---	Valve, Throttle	1
9	---	③	Shaft Asy, Choke	1
10	---	---	Valve, Choke	1
11	---	①	Valve, Inlet Needle	1
12	---	---	Seat Asy, C Valve	1
13	---	①	Plug, Cup	1
14	---	---	Plug, Welch	1
15	---	③	Ball, Choke Frict	1
16	---	①②	Gasket, Met Diap	1
17	---	①②	Gasket, Fuel Pump	1
18	---	①②	Diap, Fuel Pump	1
19	---	①②	Diap Asy, Metering	1
20	---	①③	Screw, Valve	2
21	---	①	Screw, Met Lev Pin	1
22	---	---	Screw, Pump Cover	1
23	---	---	Spring, Idle Adj Kit	1
24	---	---	Screw, Met Cover	4
25	---	③	Spring, Choke Frict	1
26	---	---	Spring, Idle Needle	1
27	---	---	Spring, High Needle	1
28	---	---	Spring, Thrt Return	1
29	---	①	Spring, Met Lever	1
30	---	---	Needle, High Speed	1
31	---	---	Needle, Low Speed	1
32	---	---	Screen, Check Valve	2
33	---	①	Screen, Fuel Inlet	1
34	---	①	Pin, Metering Lever	1
35	---	---	Lever, Metering	1
36	---	---	Ring, High Speed	1
37	---	---	Washer, High Speed	1
38	---	---	Cap, Lim, High, Black	1
	---	---	Cap, Lim, Low, White	1

ITEM NO.	STK CODE	PART NUMBER	DESCRIPTION	UNITS/ASY
1	---	A MC-323602-03	Carb, Zama C1U M29D	1
2	---	---	Ring, Screen Ret	1
3	---	---	Collar	1
4	---	---	Lever, Throttle	1
5	---	B MC-300456	Cover, Met Lever	1
6	---	---	Cover, Fuel Pump	1
7	---	---	Shaft Asy, Throttle	1
8	---	---	Valve, Throttle	1
9	---	③	Shaft Asy, Choke	1
10	---	---	Valve, Choke	1
11	---	①	Valve, Inlet Needle	1
12	---	---	Plug, Welch	1
13	---	③	Ball, Choke Friction	1
14	---	①②	Gasket, Met Diap	1
15	---	①②	Gasket, Fuel Pump	1
16	---	①②	Diap, Fuel Pump	1
17	---	①②	Diap Asy, Metering	1
18	---	③	Screw, Valve	1
19	---	---	Screw, Valve	1
20	---	---	Screw, Met Lev Pin	1
21	---	---	Screw, Pump Cover	2
22	---	---	Screw, Idle Adj Kit	1
23	---	---	Screw, Met Cover	2
24	---	③	Spring, Choke Frict	1
25	---	---	Spring, Needle	2
26	---	---	Spring, Thrt Return	1
27	---	①	Spring, Met Lever	1
28	---	---	Needle, High Speed	1
29	---	---	Needle, Low Speed	1
30	---	---	Screen, Check Valve	1
31	---	①	Screen, Fuel Inlet	1
32	---	①	Pin, Metering Lever	1
33	---	①	Lever, Metering	1
34	---	---	Nozzle Asy, C Valve	1
35	---	---	Screw, Thrt Lever	1
36	---	B MC-323603	Cap, Lim, High, Black	1
	---	B MC-323604	Cap, Lim, Low, White	1

- ① 324001 Kit, Major Repair A1117WT (Stk Code A)
- ② 324009 Kit, Gasket/Diap B1106WT (Stk Code A)
- ③ 322363 Kit, Choke Lever 40-999 (Stk Code A)

- ① 300454 Kit, Major Repair RB-48 (Stk Code B)
- ② 300473 Kit, Gasket/Diaphragm GND-13 (Stk Code A)
- ③ 322358 Kit, Choke Lever 40-999 (Stk Code A)

ENGINE SPECIFICATIONS

Engine Type.....	Air-Cooled, Two Cycle, Single Chrome Cylinder	
Displacement.....	28cc or 32cc	
Maximum HP.....	28cc = 1.1 HP 32cc = 1.3 HP	
Bore and Stroke.....	28cc = 1.37x1.12 in. (35x28.6mm) 32cc = 1.49x1/12 in. (38x28.6mm)	
Idle RPM, Direct Dr . . .	3000 - 3500 RPM (assembled)	
Idle RPM, Clutch Dr . . .	2700 - 3000 RPM (assembled)	
Max RPM (asmb'l'd)	7000 - 8000 RPM	
Comp, PSI (after 10 . . .	28cc = 80 lbs pulls, thrl full open) . . .	32cc = 90 lbs
Ignition	Electronic	
FW to Ign Gap	0.010-0.015 in. (0.254- 0.381mm)	
Spark Plug.....	Champion RDJ8J	
Spark Plug Gap	0.025 in. (0.63mm)	
Fuel Tank Capacity.....	24 oz. (71ml)	
Fuel Type	Unleaded - Regular Grade	
Fuel to Oil Ratio.....	40:1 McCulloch Custom Lubricant	
Dry Weight	44" = 9.9 lbs 48" = 13.6 lbs	
Carburetor	Diaphragm with Primer	
Starter Cord.....	Nylon, Type 3.5, Length 46 in.	



Order McCulloch Trimmer parts on eBay