

# McCULLOCH®

## 28cc and 32cc GAS POWERED CURVED SHAFT STRING TRIMMERS

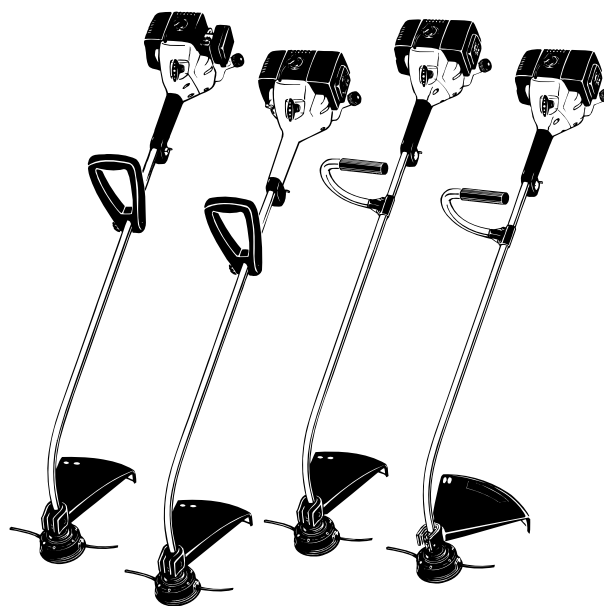
MODEL NAME	(+)SERIAL NUMBER PREFIX	MODEL NUMBER	ENGINE SIZE	DRIVE	SHAFT	HANDLE
MT3310	-	-	28cc	DIRECT	44"	D
MT3311	-	-	32cc	CLUTCH	48"	D
MAC 1385L	22-	400132-93	32cc	CLUTCH	48"	D
MAC 2816	12- / 22-	400128-01	28cc	DIRECT	44"	D
MAC 2816	12- / 22-	400128-19	28cc	DIRECT	44"	D
MAC 2816	12- / 22-	400128-21	28cc	DIRECT	44"	D
MAC 2816	12- / 22-	400128-27	28cc	DIRECT	44"	D
MAC 2816	12- / 22-	400128-51	28cc	DIRECT	44"	D
MAC 2816	12- / 22-	400128-73	28cc	DIRECT	44"	D
MAC 2816	12-	400128-85	28cc	DIRECT	44"	D
MAC 2816	12- / 22-	400128-93	28cc	DIRECT	44"	D
MAC 2816	22-	400128-97	28cc	DIRECT	44"	D
MAC 2818	12- / 22-	400128-02	28cc	CLUTCH	48"	D
MAC 2818	12- / 22-	400128-30	28cc	CLUTCH	48"	D
MAC 2818	12- / 22-	400128-58	28cc	CLUTCH	48"	D
MAC 2818	12- / 22-	400128-94	28cc	CLUTCH	48"	D
Eager Beaver 282	12-	400128-05	28cc	DIRECT	44"	D
Eager Beaver 282	12-	400128-47	28cc	DIRECT	44"	D
Eager Beaver 287	12-	400128-10	28cc	CLUTCH	48"	D
Eager Beaver 287	12	400128-28	28c	CLUTCH	48"	D
Eager Beaver 287	12-	400128-48	28cc	CLUTCH	48"	J
Eager Beaver 287	12-	400128-52	28cc	CLUTCH	48"	D
ProMac I Super	12- / 22-	400132-01	32cc	DIRECT	48"	J
ProMac I Super	12-	400132-44	32cc	DIRECT	48"	D
PowerPro P1528	22-	400128-96	28cc	DIRECT	44"	D
PowerPro P1732C	22-	400132-86	32cc	CLUTCH	44"	D
Roadrunner III	12- / 22-	400128-11	28cc	DIRECT	44"	J
Roadrunner III	12- / 22-	400128-18	28cc	CLUTCH	44"	J
Roadrunner III	12-	400128-25	28cc	DIRECT	44"	J
Roadrunner III	12-	400128-59	28cc	DIRECT	44"	D
Roadrunner III	12- / 22-	400128-61	28cc	DIRECT	48"	J
Roadrunner III	12-	400128-83	28cc	CLUTCH	44"	D
Silver Eagle 28	12- / 22-	400128-03	28cc	DIRECT	44"	D
Silver Eagle 28C	12- / 22-	400128-06	28cc	CLUTCH	48"	J
Silver Eagle 28	12- / 22-	400128-17	28cc	DIRECT	44"	D
Silver Eagle 28C	12- / 22-	400128-20	28cc	CLUTCH	48"	J
Silver Eagle 28	12-	400128-49	28cc	DIRECT	44"	D
Silver Eagle 28C	12-	400128-50	28cc	DIRECT	48"	J
Silver Eagle 28C	12-	400128-74	28cc	CLUTCH	48"	J
Silver Eagle 28	12-	400128-75	28cc	DIRECT	44"	D
FR 15" DD 44"	90-	002815-00	28cc	DIRECT	44"	D
FR 15" DD 44"	90-	002816-00	28cc	DIRECT	44"	D
FR 17" CD 48"	90-	002817-00	28cc	CLUTCH	48"	D
FR 17" CD 48"	90-	002818-00	28cc	CLUTCH	48"	D

MARCH 2003

## ILLUSTRATED PARTS LIST

P.O. Box 31567

Tucson, Arizona 85751-1567 • U.S.A.



McCulloch products are identified by a model number (in this instance 400128) followed by a suffix number (01). Suffix numbers denote variations in parts or assemblies used in the manufacture of this product.

Illustrated Parts Lists (IPLs) contain a PART NUMBER, DESCRIPTION, UNITS per assembly and STOCKING CODE for each part.

### Stocking Codes are:

- A - Dealer stocked. Fast to medium moving part.
- B - Distributor stocked. Medium to slow moving part.
- C - Factory stocked. Slow moving part.

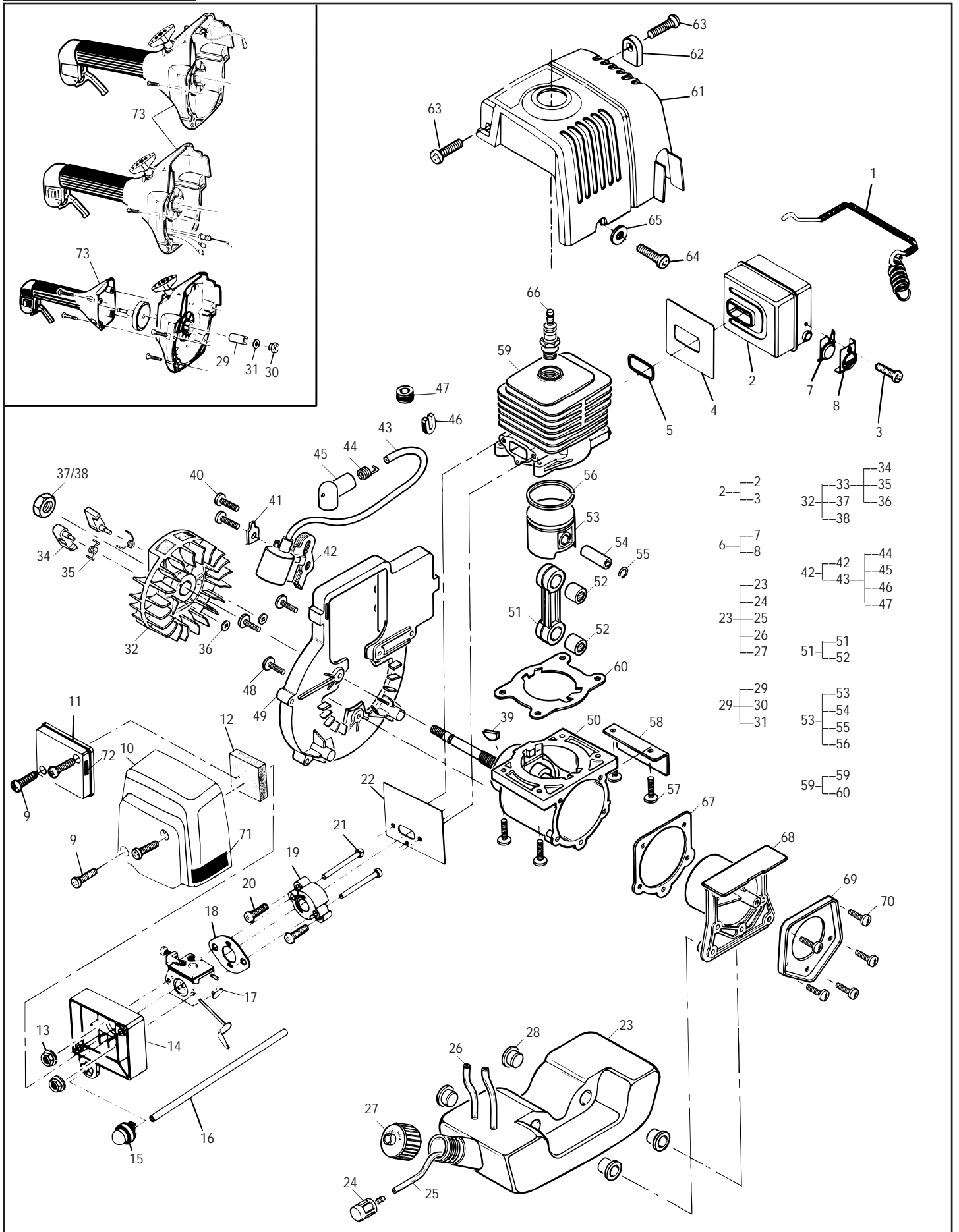
**NOTE:** The following explains symbols and footnotes in this IPL:

- (-) A dash preceding a PART NUMBER indicates that it is a new part number, different from the one listed in the previous IPL for this unit.
- (.) One or more dots (. Spring, Starter) preceding a part DESCRIPTION indicates the part is included in the kit or assembly described directly above the dot(s).
- (-- --) If four dashes appear in place of a PART NUMBER, the part is not available individually but is included in the next higher assembly or subassembly.
- ①② Circled numbers preceding a DESCRIPTION footnote the part or assembly to additional information on the page.
- (\*) An asterisk denotes that choices follow or precede.
- (+) Serial Number Prefix 22- denotes CARB approved unit -- all parts are interchangeable with Serial Number Prefix 12-.

The policy of McCulloch is one of continual improvement in design, manufacturing and engineering advancement wherever possible to assure still finer power tools. Hence, specifications, equipment colors, design and manufacturer's suggested list prices are subject to change without notice. McCulloch reserves the right to make such changes without prior notification or obligation to backfit or supply backfit components for units previously shipped from the factory.

**FIGURE 1**

**POWERHEAD ASSEMBLY**



# POWERHEAD ASSEMBLY

# FIGURE 1

ITEM NO.	STK CODE	PART NUMBER	DESCRIPTION	UNITS PER ASY
1	A	MC-224044	Spring, Muffler	1
2	B	MC-224034	Kit, Muffler	1
3	B	MC-111072	Screw, 8-18 x .31 Pn Dh SI Torx	1
4	A	MC-224228	Gasket, Muffler	1
5	A	MC-224922	Gasket, Exhaust Port	1
6	A	MC-302424	Kit, Spark Arrester	1
7	A	MC-224040	Screen, Spark Arrester	1
8	A	MC-322032	Cover, Spark Arrester	1
9	A	MC-111055	Screw, 10-24 x .625, Plast	2
10	A	MC-224236	⑥ Cover, Air Cleaner, Large (Black)	1
11	A	MC-224237	⑦ Cover, Air Cleaner, Small (Black)	1
12	A	MC-224239	Filter, Air	1
13	A	MC-111058	Nut, 10-24 Hex, Flange	2
14	A	MC-224238	⑥ Box, Air (Blk)	1
15	A	MC-224242-02	Primer, Remote	1
16	A	MC-225163	Hose, Fuel Return	1
17	-	FIGURE 3	Carburetor w/Choke	1
18	A	MC-218933	Gasket, Carburetor	1
19	A	MC-224041-02	Insulator, Carburetor	1
20	A	MC-111053	Screw, 10-24 x .88 Thd Form	2
21	B	MC-111057	Screw, 10-24 Spl	2
22	A	MC-322031	Gasket, Manifold	1
23	A	MC-302349	Tank, Fuel (Natural)	1
24	A	MC-216985	Filter, Fuel	1
25	A	MC-225162	Hose, Fuel	1
26	A	MC-225163	Hose, Fuel Return	1
27	A	MC-223508	Cap, Fuel, w/Retainer	1
28	A	MC-322105	Isolator, Fuel Tank	4
29	A	MC-301114	② Kit, Spacer, Clutch	1
30	C	MC-322847	Nut, Hex, 7/16-20	1
31	B	MC-322844	Washer, Shaft	1
32	A	MC-301352-01	Kit, Flywheel, 28/32	1
33	B	MC-550001	Kit, Pawls/Flywheel	1
34	-	---	Pawl, Starter	2
35	-	---	Spring, Starter Pawl	2
36	-	---	Ring, Retainer	2
37	B	MC-111085	① Nut, Direct Drive	1
38	C	MC-322847	② Nut, 7/16-20, Clutch Drive	1
39	A	MC-102164	Key, Flywheel	1
40	A	MC-111053	Screw, 10-24 x .88 Thd Form	2
41	B	MC-300321	⑧ Terminal Tab	1
42	A	MC-302138	Ignition Asy	1
43	A	MC-223884	Kit, Spark Plug Wire	1
44	A	MC-102556	Connector, Spark	1
45	A	MC-95266	Boot, Spark Plug	1
46	B	MC-215533-01	② Grommet, H/T Lead, Split	1
47	B	MC-110995	⑤ Grommet, S/Plug Wire	1
48	B	MC-111067	Screw, 10-24x.63 SITORp	3
49	B	MC-224042	Shroud, Engine	1
*50	B	MC-224701	① Short Block Asy, Direct Drive	1
-	-	---	C'case Asy	1
-	-	---	C'case, Machined	1
-	-	---	Bearing 6202	1
-	-	---	Bearing 6202RS	1
-	-	---	Seal	1
-	-	---	Spacer	1
-	-	---	O-ring	1
*50	B	MC-224703	② Short Block Asy, Clutch Drive	1
-	-	---	C'shaft Asy	1
-	-	---	C'case, Machined	1
-	-	---	Bearing 6202	1
-	-	---	Bearing 6202RS	1
-	-	---	Seal	1
-	-	---	Spacer	1
-	-	---	O Ring	1
51	-	---	Rod, Connecting Asy	1

ITEM NO.	STK CODE	PART NUMBER	DESCRIPTION	UNITS PER ASY
52	-	---	Bearing	2
*53	-	---	③ Piston, 28cc Aluminum	1
54	-	---	Pin, C'shaft Piston	1
55	-	---	Ring, Retaining	1
56	-	---	Ring, Piston, 35mm	1
*53	-	---	④ Piston, 32cc Aluminum	1
54	-	---	Pin, C'shaft Piston	1
55	-	---	Ring, Retaining	1
56	-	---	Ring, Piston	1
57	A	MC-111065	Screw, 10-24 x .688 Tri Rnd	4
58	A	MC-322030	Shield Muffler	1
*59	A	MC-300452	③ Cylinder/Gasket, 28cc Chrome	1
60	A	MC-224022	Gasket, Cylinder	1
*59	A	MC-300453	④ Cylinder/Gasket, 32cc Chrome	1
60	A	MC-224022	Gasket, Cylinder	1
61	B	MC-224235	Cover, Cylinder/Muffler (Black)	1
62	B	MC-322210	Washer, Plastic	1
63	B	MC-111067	Screw, 10-24 x .63 SI Torx Tp	2
64	B	MC-111068	Screw, 10-14 x 1.38 Taptite	1
65	A	MC-93469	Washer, .469OD/.222ID	1
66	A	MC-92879	Spark Plug, RDJ8J	1
67	A	MC-224023	Gasket, C'case	1
68	A	MC-224024-01	Plug, C'case	1
69	C	MC-322437-90	Plate, C'case, Coated Finish	1
70	A	MC-111065	Screw, 10-24 x .688 Tri Rnd	5
71	-	---	⑦ Label, Choke (Vertical)	1
72	-	---	Label, Staring Inst (Eng) for models with slide to stop switch	1
73	-	FIGURE 2	Starter/Clutch Housing Asy	1

① Direct Drive Models Only (refer to chart on page 1)	⑦ Represents a small black air box MT3310 22400128-01 22400128-02 22400128-05 12400128-10 12400128-19 12400128-21 12400128-27 12400128-28 12400128-30 12400128-30 12400128-47 12400128-48 12400128-51 12400128-52 12400128-58 12400128-73 12400128-85 12400128-93 22400128-94 22400128-96 22400128-97 90002815-00 90002815-25 90002816-00 90002817-00 90002818-00	⑧ Represents a terminal tab MT3311 22400128-02 22400128-06 12400128-10 22400128-11 22400128-18 12400128-20 12400128-25 12400128-28 12400128-30 12400128-48 12400128-49 12400128-50 12400128-52 12400128-58 12400128-59 12400128-61 12400128-74 12400128-75 12400128-83 12400128-85 12400128-83 22400128-94 12400132-44 22400132-86 22400132-93 90002818-00
-------------------------------------------------------	----------------------------------------------------------------------------------------------------------------------------------------------------------------------------------------------------------------------------------------------------------------------------------------------------------------------------------------------------------------------------------------------------------------------------------------------------	---------------------------------------------------------------------------------------------------------------------------------------------------------------------------------------------------------------------------------------------------------------------------------------------------------------------------------------------------------------------------------------------------------------------------------------------

② Clutch Drive Models Only (refer to chart on page 1)	⑨ Represents a large green air box 22400132-86
-------------------------------------------------------	---------------------------------------------------

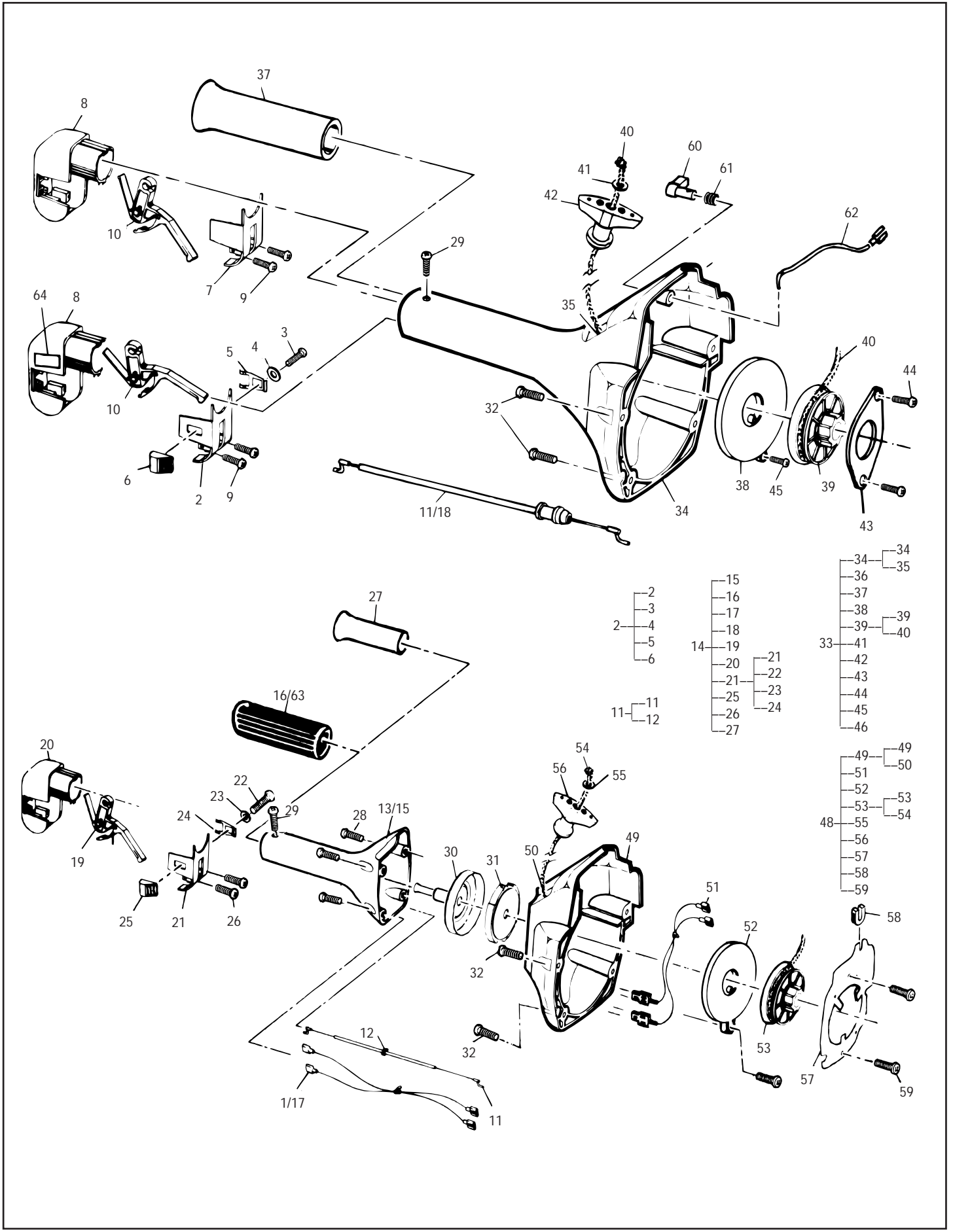
③ 28cc Models Only (refer to chart on page 1)	④ 32cc Models Only (refer to chart on page 1)
-----------------------------------------------	-----------------------------------------------

⑤ Not Used On These Models
----------------------------

**FIGURE 2**

**STARTER/CLUTCH HOUSING ASSEMBLY**



# STARTER/CLUTCH HOUSING ASSEMBLY

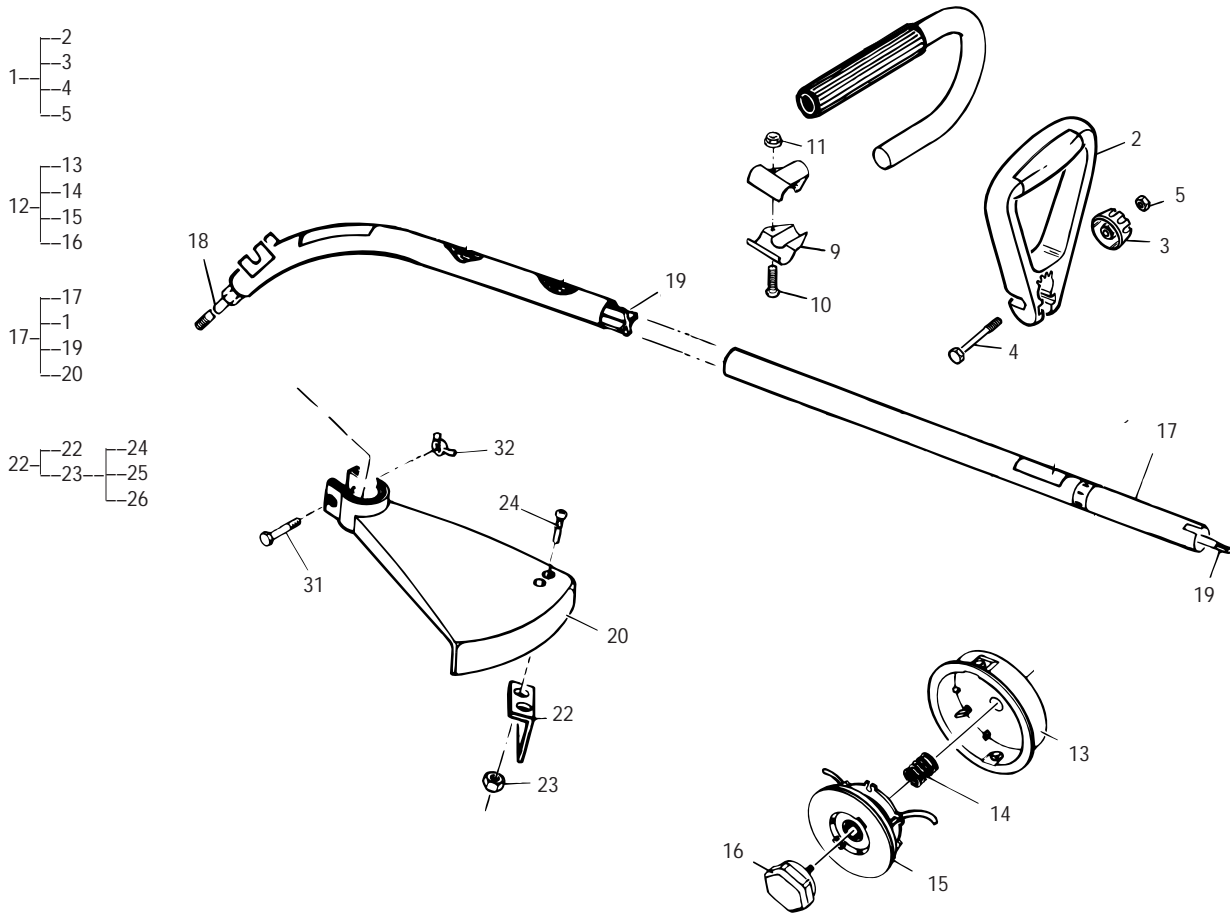
# FIGURE 2

ITEM NO.	STK CODE	PART NUMBER	DESCRIPTION	UNITS PER ASY
1	A	MC-301133	② Wire Asy, Switch	1
2	A	MC-300064	⑩ Cover, Asy, Switch	1
3	B	MC-111069	Screw, 8-16 x .375 Plastite	1
4	B	MC-105497	Washer, Flat, .180 ID max	1
5	A	MC-224246	Contact, Switch	1
6	B	MC-224245	Button, Stop Switch	1
7	B	MC-224914	⑩ Cover, Switch Housing	1
8	B	MC-224234	Trigger Hsg Asy, 22mm, 28/32	1
9	A	MC-111061	Screw, 6-19 x .62 Fl Hd Plastite	2
10	A	MC-300361	Trigger, Throttle	1
*11	A	- MC-300149-01	① Throttle Cable, Direct Drive	1
*11	A	MC-300372-01	② Throttle Cable, Clutch Drive	1
12	-	-- --	Nut, Speed, .188 ID	1
14	B	MC-300782-61	② Housing Asy, Clutch, 7/8 in.(Black)	1
15	A	MC-224912-61	Housing, Clutch 7/8 (Black)	1
16	B	MC-322140	Grip	1
17	A	MC-301133	Wire Asy, Switch	1
18	A	MC-300372-01	Cable Asy, Throttle	1
19	A	MC-300361	Trigger, Throttle	1
20	B	MC-224234	Triggger Hsg Asy, 22mm (28/32)	1
21	A	MC-300064	Cover Asy, Switch	1
22	B	MC-111069	Screw, 8-16 x .375 Plastite	1
23	B	MC-105497	Washer, Flat, .180 ID max	1
24	A	MC-224246	Contact, Switch	1
25	B	MC-224245	Button, Stop Switch	1
26	A	MC-111061	Screw, 6-19x.62 Fl Hd Plast	2
27	A	MC-322234	Sleeve, Protecting	1
28	A	MC-224919	Screw, 10-14 x 1.0 Pn Hd	4
29	A	MC-111070	Screw, 12-11 x .5 Pn Hd Torx	1
30	A	- MC-302106	② Drum, Clutch, Heat Treated	1
31	A	MC-300459	② Kit, Clutch	1
32	A	MC-111054	Screw, 10-24 x .625	4
*33	B	MC-224917-61	①⑤ Starter Asy (Black) Direct Drive	1
34	-	MC-224247-61	Housing/Eyelet, Starter DD (Black)	1
35	-	-- --	Rope Guide	1
36	B	MC-301135	⑨ Wire Asy, Switch	1
37	A	MC-322234	Sleeve, Protecting	1
38	A	MC-300475	Spring, Starter Rewind	1
39	A	MC-9299-33030	①D New Direct Drive Drum/Rope Asy	1
40	A	MC-323131	Rope, Starter, 46 in.	1
41	B	MC-218941	Washer, Nylon	1
42	A	MC-216792	Handle Starter	1
43	B	MC-322362	Pulley, Retained, Direct Drive	1
44	A	MC-223357	Screw, 8-16 Plastite	1
45	B	MC-322027	Screw, Spring Retainer	1
*48	B	MC-224916-61	②⑧ Starter Asy Clutch Drive (Black)	1
49	B	MC-224240-61	Housing, Starter Cl Dr (Black)	1
50	-	-- --	Rope Guide	1
51	A	MC-301134	Wire Asy, Starter Hsg, Clutch Dr	1
52	A	MC-300475	Spring Asy, Package	1
53	A	MC-300872	Drum/Rope Asy	1
54	A	MC-323131	Rope, Starter, 46 in.	1
55	B	MC-218941	Washer, Nylon	1
56	A	MC-216792	Handle, Starter	1
57	B	MC-224927	Plate, Baffle, Clutch Drive	1
58	B	MC-215533-01	Grommet, H/T Lead	1
59	A	MC-223357	Screw, 8-16 Plastite	3
60	B	MC-222914	⑩ Button, Stop	1
61	B	MC-222913	⑩ Spring, Stop Button	1
62	B	MC-222926	⑩ Wire Asy, Switch	1
63	B	MC-322140	② Grip	1

ITEM NO.	STK CODE	PART NUMBER	DESCRIPTION	UNITS PER ASY
①	Direct Drive Models Only (refer to chart on page 1)			
②	Clutch Drive Models Only (refer to chart on page 1)			
③	Represents	⑤ Represents	⑦ Represents	⑩ Represents DD/
	grey asy/DD	black asy/DD	grey asy/CD	moment, switch
	22400128-03	22400128-96	22400128-06	MT3310
	12400128-17		12400128-20	22400128-01
	12400128-49		12400128-50	22400128-03
	12400128-75	⑥ Represents	12400128-74	12400128-05
		yellow asy/CD		22400128-11
		22400128-02		12400128-17
		12400128-10	⑧ Represents	22400128-18
		22400128-18	black asy/CD	12400128-19
		MT3310	MT3311	22400128-21
		22400128-30		12400128-25
		22400128-01	12400128-48	22400128-27
		12400128-05	12400128-52	12400128-44
		12400128-11	22400128-58	12400128-49
		12400128-19	12400128-83	12400128-47
		22400128-21	22400128-94	22400128-51
		12400128-25	12400132-01	12400128-59
		12400128-27	12400132-44	12400128-61
		22400128-47	90002817-00	12400128-83
		12400128-51	90002818-00	22400128-73
		12400132-59		12400128-75
		12400132-61		12400128-85
		22400128-73		22400128-93
		12400128-85		22400132-01
		22400128-93		

**FIGURE 3**

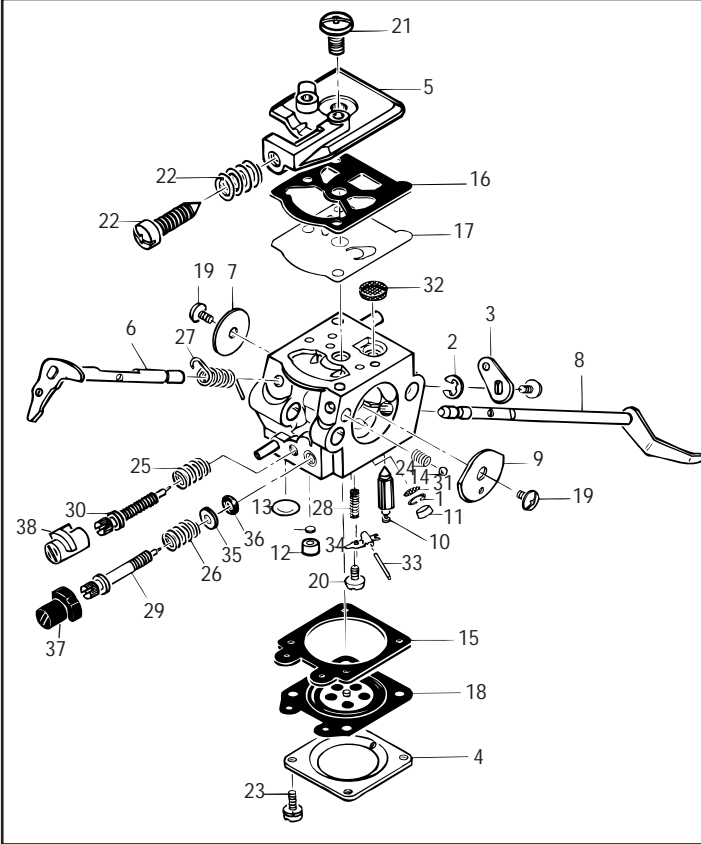
**SHAFT / HANDLE / STRINGHEAD ASSEMBLY**



ITEM NO.	STK CODE	PART NUMBER	DESCRIPTION	UNITS PER ASY
1	B	MC-300834	③ Handle, Delta Kit	1
2	-	---	Assist Handle w/Cap Asy	1
3	-	---	Knob	1
4	B	MC-09075-99	Bolt, 1/4 in.-20 x 2.5 Hx Cap	1
5	B	MC-13035-99	Nut, 1/4 in.-20 x .226T	1
9	B	MC-215337	④ Clamp, Handle	2
10	A	MC-217935	④ Screw	2
11	A	MC-218315	④ Nut, 10-24	2
12	A	MC-300651	Kit, Stringhead, Small	1
13	A	MC-322025	Housing/Eyelet Asy w/Collar	1
14	A	MC-324089	Spring, McC Stringhead	1
15	A	MC-300688	Kit, Line on Spool, M-Sm	1
16	A	MC-300736-01	Kit, Knob Asy, Small	1
*17	A	MC-300429	① Housing Asy, Outer, 44"	1
18	-	---	Clip, Spring External	2
*17	A	MC-300424	② Housing Asy, Outer, 48"	1
18	-	---	Clip, Spring External	2
*19	A	MC-301023	① Shaft, Flex, Plus Clip, 44"	1
*19	A	MC-301024	② Shaft, Flex, Plus Clip, 48"	1
20	A	MC-224062	Shield Asy, Grass, R, 17in.	1
21	A	MC-300626	Kit, Knife	1
22	-	---	Cutter	1
23	-	---	Nut, Lock 10-24 Hex	2
24	-	---	Screw, 10-24 x .50 Torx	2
31	A	MC-216595	Screw, M6 x 1.0 Hex	1
32	A	MC-111102	Nut, Wing M6 x 1.0	1

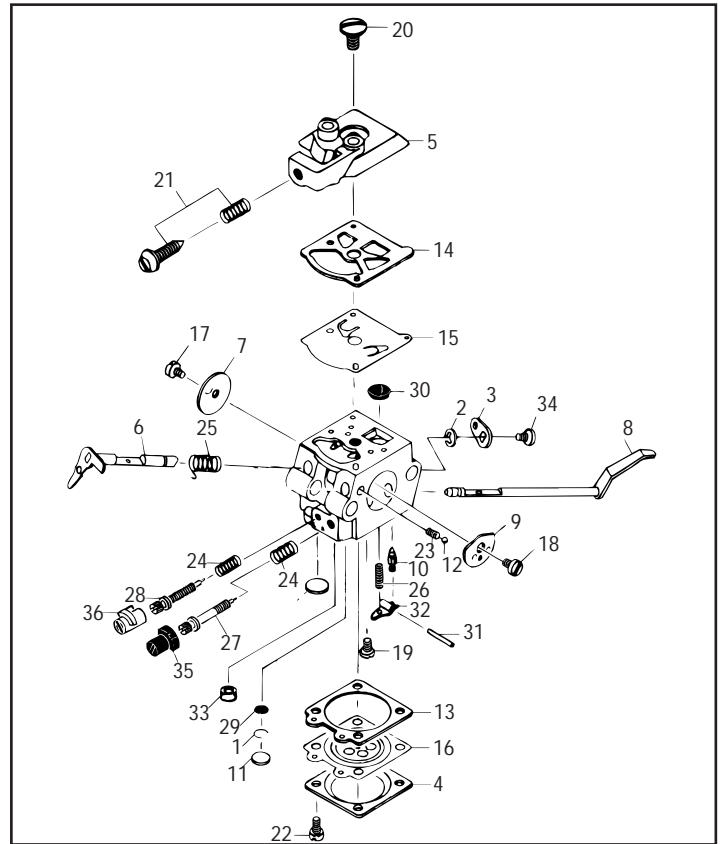
ITEM NO.	STK CODE	PART NUMBER	DESCRIPTION	UNITS PER ASY
①			44" Shaft Models Only (refer to chart on page 1)	
②			48" Shaft Models Only (refer to chart on page 1)	
③			Represents a delta handle	
		③ 12400128-52		90002817-00
		22400128-58		90002818-00
		2400132-59		
		MT3311		
		22400128-73		
		④ 22400128-75		Represents a J-handle
		22400128-01		22400128-06
		22400128-02		22400128-11
		22400128-03		22400128-18
		22400128-05		22400128-20
		22400128-10		22400128-25
		22400128-17		12400128-25
		22400128-19		12300128-97
		22400128-21		22400128-48
		22400128-27		22400132-01
		12400128-30		12400128-50
		12400128-47		22400132-44
		12400128-49		22400132-86
		22400128-51		22400132-94
				⑤ 12400128-49
				12400128-50
				90002815-00
				90002816-00

# FIGURE 4



STK NO.	CODE	RAMB NUMBER	DESCRIPTION	UNITS PER ASY
A	MC-323602-03		Carburetor, Walbro WT 434	1
1	---		① Ring, Screen Retainer	1
2	---		Ring, Shaft Retainer	1
3	---		Lever, Throttle	1
4	---		Cover, Metering Lever	1
5	B	MC-300072	Cover, Fuel Pump	1
6	---		Shaft Asy, Throttle	1
7	---		Valve, Throttle	1
8	---		③ Shaft Asy, Choke	1
9	---		③ Valve, Choke	1
10	---		① Valve, Inlet Needle	1
11	---		Seat Asy, Check Valve	1
12	---		① Plug, Cup	1
13	---		① Plug, Welch	1
14	---		③ Ball, Choke Friction	1
15	---		①② Gasket, Metering Diaphragm	1
16	---		①② Gasket, Fuel Pump	1
17	---		①② Diaphragm, Fuel Pump	1
18	---		①② Diaphragm Asy, Metering	1
19	---		①③ Screw, Valve	2
20	---		① Screw, Metering Lever Pin	1
21	---		Screw, Pump Cover	1
22	---		Spring, Idle Adjust Kit	1
23	---		Screw, Metering Cover	4
24	A	---	③ Spring, Choke Friction	1
25	---		Spring, Idle Needle	1
26	---		Spring, High Speed Needle	1
27	---		Spring, Throttle Return	1
28	---		① Spring, Metering Lever	1
29	---		Needle, High Speed	1
30	---		Needle, Low Speed	1
31	---		Screen, Check Valve	1
32	---		① Screen, Fuel Inlet	1
33	---		① Pin, Metering Lever	1
34	---		Lever, Metering	1
35	---		Ring, High Speed	1
36	---		Washer, High Speed	1
37	B	MC-323601	Cap, Limiter, High, Black	1
38	B	MC-323602	Cap, Limiter, Low, White	1
①	MC-300457		Kit, Major Repair A1117WT (Stk Code A)	
②	MC-324460		Kit, Gasket/Diaphragm B1106WT (Stk Code A)	
③	MC-322363		Kit, Choke Lever 40-999 (Stk Code A)	

# CARBURETOR ASSEMBLY



ITEM NO.	STK CODE	PART NUMBER	DESCRIPTION	UNITS PER ASY
A	MC-323602-03		Carburetor, Zama C1U M29D	1
1	---		Ring, Screen Retainer	1
2	---		Collar	1
3	---		Lever, Throttle	1
4	---		Cover, Metering Lever	1
5	B	MC-300456	Cover, Fuel Pump	1
6	---		Shaft Asy, Throttle	1
7	---		Valve, Throttle	1
8	---		③ Shaft Asy, Choke	1
9	---		③ Valve, Choke	1
10	---		① Valve, Inlet Needle	1
11	---		① Plug, Welch	1
12	---		Ball, Choke Friction	1
13	---		①② Gasket, Metering Diaphragm	1
14	---		①② Gasket, Fuel Pump	1
15	---		①② Diaphragm, Fuel Pump	1
16	---		①② Diaphragm Asy, Metering	1
17	---		③ Screw, Valve	1
18	---		Screw, Valve	1
19	---		Screw, Metering Lever Pin	1
20	---		Screw, Pump Cover	2
21	---		Screw, Idle Adjust Kit	1
22	---		Screw, Metering Cover	2
23	---		③ Spring, Choke Friction	1
24	---		Spring Needle	2
25	---		Spring, Throttle Return	1
26	---		① Spring, Metering Lever	1
27	---		Needle, High Speed	1
28	---		Needle, Low Speed	1
29	---		Screen, Check Valve	1
30	---		① Screen, Fuel Inlet	1
31	---		① Pin, Metering Lever	1
32	---		① Lever, Metering	1
33	---		Nozzle Asy, Check Valve	1
34	---		Screw, Throttle Lever	1
35	B	MC-323603	Cap, Limiter, High, Black	1
36	B	MC-323604	Cap, Limiter, Low, White	1
1	MC-300454		Kit, Major Repair RB-48 (Stk Code B)	
②	MC-300473		Kit, Gasket/Diaphragm GND-13 (Stk Code A)	
③	MC-322358		Kit, Choke Lever 40-999 (Stk Code A)	



P.O. Box 31567 • Tucson Arizona 85751-1567 • U.S.A.

• **MANUFACTURING • SALES • SERVICE •**

FOR WARRANTY OR SERVICE,  
CONTACT THE NEAREST McCULLOCH AUTHORIZED SERVICE CENTER  
LISTED UNDER 'SAWS' IN YOUR TELEPHONE DIRECTORY YELLOW PAGES.

IF FURTHER ASSISTANCE IS REQUIRED CALL THIS TOLL-FREE HOT LINE.  
PLEASE REFERENCE YOUR MODEL AND SERIAL NUMBER.

1-800-521-8559

MONDAY - FRIDAY - 6:00 AM - 4:30 PM (MST)

[www.mccullochpower.com](http://www.mccullochpower.com)

### TORQUE SPECIFICATIONS

DESCRIPTION	FASTENER PART NO.	FIG/ ITEM	TORQUE (IN/LBS)	LOCTITE
C'Case to Cylinder	111065	1 / 57	55 - 60	242
C'Case to Plast Plug	111065	1 / 70	35 - 40	242
Insulator to Cylinder	111053	1 / 20	45 - 50	242
Shroud to C'Case	111067	1 / 48	55 - 60	242
Ignition Asy	111053	1 / 40	45 - 50	242
Carburetor	111058	1 / 13	25 - 30	--
Spark Plug	92879	1 / 66	110 - 120	--
Flywheel Nut	111085	1 / 37	140 - 145	242
Flywheel Nut	322847	1 / 38	140 - 145	242
Starter Housing	111054	2 / 32	30 - 35	--
Clutch Housing	224919	2 / 28	30 - 35	--

### ENGINE SPECIFICATIONS

Engine Type	Air-Cooled, Two Cycle, Single Chrome Cylinder
Displacement	.28cc or 32cc
Idle RPM, Direct Dr	3000 - 3500 RPM
Idle RPM, Clutch Dr	2700 - 3000 RPM
Maximum RPM	7000 - 8000 RPM
Compression, PSI	.28cc = 80 (after 10 pulls, thr'tl full open) .32cc = 90
Ignition	Electronic
Flywheel to Ignition Gap	.007-0.012 in.
Spark Plug	Champion RDJ8J
Spark Plug Gap	.0025 in. (0.63mm)
Fuel Tank Capacity	.24 oz. (71ml)
Fuel Type	Unleaded - Regular Grade
Fuel to Oil Ratio	40:1 McCulloch Custom Lubricant
Dry Weight	.44" = 9.9 lbs 48" = 13.6 lbs
Carburetor	Diaphragm with Primer
Starter Cord	Nylon, Type 3.5, Length 46 in.