

# ILLUSTRATED PARTS LIST

MODEL NAMES	SERIAL NUMBER PREFIX	MODELS
Super Air Stream III	13-	400048-03
Super Air Stream IV	13-	400048-04
Eager Beaver III	13-	400048-05
Eager Beaver IV	13-	400048-06

McCulloch products are identified by a model number (in this instance 400048) followed by a suffix number (03 or 04). Suffix numbers denote variations in parts or assemblies used in the manufacture of this product.

Illustrated Parts Lists (IPLs) contain a PART NUMBER, DESCRIPTION, UNITS per assembly and STOCKING CODE for each part. Stocking Codes are:

- A - Factory stocked. Slow moving part.
- B - Distributor stocked. Medium to slow moving part.
- C - Dealer stocked. Fast to medium moving part.
- D - Indicates a McCulloch service tool.

**NOTE:** The following explains symbols/footnotes in this IPL.

(-) A dash preceding a PART NUMBER indicates that it is a new part number, different from the one listed in the previous IPL for this unit.

(. .) One or more dots (. Spring-Starter) preceding a part DESCRIPTION indicates the part is included in the kit or assembly described directly above the dot(s).

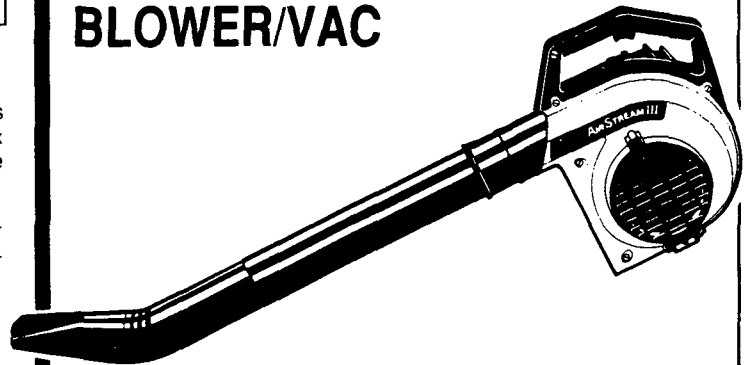
(- - -) If four dashes appear in place of a PART NUMBER, the part is not available individually but is included in the next higher assembly or subassembly.

① ② Circled numbers preceding a DESCRIPTION footnote the part or assembly to additional information on the page.

(\*) An asterisk draws attention to general information.

The policy of McCulloch Corporation is one of continual improvement in design, manufacturing and engineering advancement wherever possible to assure still finer power tools. Hence, specifications, equipment, colors, design and manufacturer's suggested list prices are subject to change without notice. McCulloch Corporation reserves the right to make such changes without prior notification or obligation to backfit or supply backfit components for units previously shipped from the factory.

## EAGER BEAVER® III & IV SUPER AIR STREAM™ III & IV GAS BLOWER & BLOWER/VAC



### CONTENTS

	PAGE
FIGURE 1 Powerhead Assembly . . . . .	2
FIGURE 2 General Assembly . . . . .	4
FIGURE 3 Accessories . . . . .	5
FIGURE 4 Carburetor Assembly . . . . .	6
FIGURE 5 Specifications . . . . .	7
FIGURE 6 Tools/Lubrication . . . . .	7

**NOVEMBER 1990**



**McCULLOCH  
CORPORATION**

P.O. Box 11990 • Tucson, Arizona 85734

219272-02

U.S.A. - McCulloch Corporation, 1990 • Printed in U.S.A.

# FIGURE 1 ENGINE ASSEMBLY

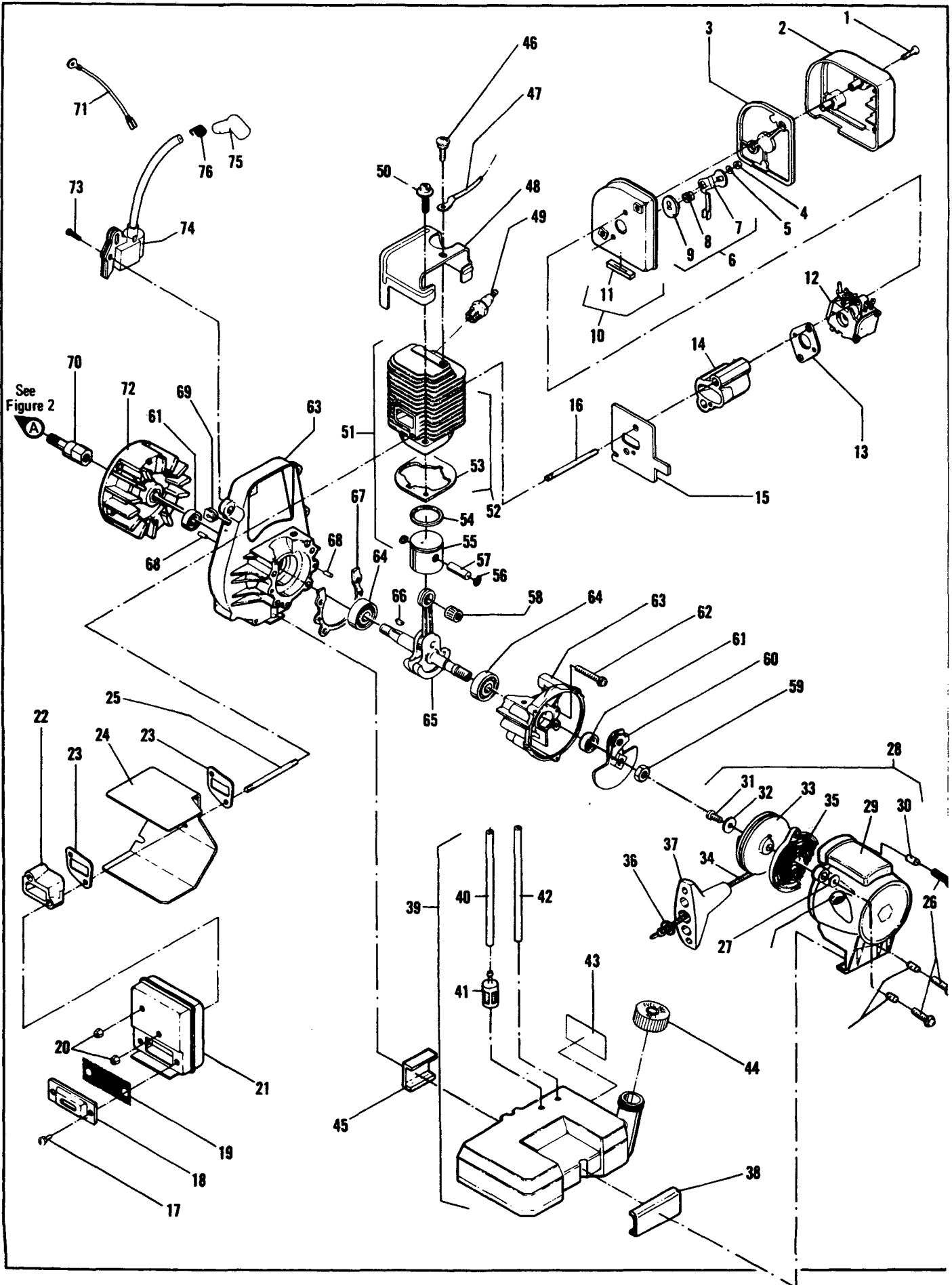


FIGURE 1 ENGINE ASSEMBLY

BLOWER/VAC

ITEM NO.	STK. CODE	PART NUMBER	DESCRIPTION	UNITS PER ASY.	ITEM NO.	STK. CODE	PART NUMBER	DESCRIPTION	UNITS PER ASY.
1	C	217669	Screw-M4x25 Torx (6-9 in. lb. torque)	2	41	C	216985	. Pickup-Fuel	1
2	B	215988	Cover-Air Cleaner	1	42	A	-219897	. Hose-Fuel Return	1
3	C	217376	Filter Assembly-Air	1	43	C	217383	Decal-40:1	1
4	C	222247	Nut-Stud	2	44	C	-222347-01	Cap-Fuel	1
5	B	215993	Spacer	1	45	C	217390	Cushion-Fuel Tank/C'Case	1
6	A	-223730	Kit, Choke Assy	1	46	B	213178	Screw-M5x8.5 Sems (15-26 in. lb. torque)	1
7	--	--	. Shutter, Choke Lever	1	47	A	218649	Terminal Assembly-Ground	1
8	A	-219016	. Shutter Spring	1	48	A	218586	Cover-Cylinder	1
9	--	--	. Shutter	1	49	C	62345	Plug-Spark	1
10	B	216108	Air Box/Grommet Asy.	1	50	B	217320	Screw-M6x18 Torx (71-81 in. lb. torque)	2
11	B	215992	Grommet-Choke	1	51	B	222594	① Cylinder/Piston Kit	1
12		Fig. 4	Carburetor Assembly	1	52	B	219084	① . Kit Cyl(Plated)/Gasket	1
13	C	-218933	Gasket-Spacer	1	53	C	215542	.. Gasket Cylinder	1
14	B	219171	Insulator-Carburetor	1	54	C	217475	. Ring-Piston	1
15	B	218918	Gasket/Shield Insulator	1	55	B	218264	① . Piston (Alum)	1
16	B	222481	Stud-Muffler	2	56	B	111026	. Ring-Snap	2
17	C	216025	Screw-M4x8 Torx Sems (3-5 in. lb. torque)	2	57	B	218275	. Pin-Wrist	1
18	A	218553	Outlet-Muffler	1	58	B	110984	Bearing-Needle	1
19	B	215516	Screen-Spark Arrestor	1	59	B	216583	Nut-Hex M8 (150-168 in. lb. torque)	1
20	C	222247	Nut-Stud (41-50 in. lb. torque)	2	60	C	215525	Ratchet Assembly (Hand Tighten Only)	1
21	A	218651	Muffler Assembly	1	61	C	83859	Seal-Oil	2
22	A	218632	Spacer-Muffler	1	62	C	216027	Screw-M5x28.5 Sems (35-43 in. lb. torque)	4
23	B	218920	Gasket-Muffler	2	63	A	218185	Crankcase Assembly	1
24	A	218652	Shield-Muffler	1	64	C	213282	Bearing-C' Shaft/C'Case	2
25	B	222481	Stud-Muffler (41-50 in. lb. torque)	2	65	B	218106-01	Crankshaft/Conn Rod Asy.	1
26	C	216022	Screw-M4x23.4 Torx (22-31 in. lb. torque)	3	66	C	102164	Key-Flywheel	1
27	B	217672	Washer-M4 Flat	3	67	B	215545	Gasket-Crankcase	1
28	A	219590	Starter Assembly	1	68	B	213191	Pin	4
29	A	-223331	. Housing-Starter Asy.	1	69	B	215541	Grommet	1
30	C	219585	.. Spacer-Housing Starter	3	70	A	218654	Extension-Shaft (150-168 in. lb. torque)	1
31	C	215874	. Screw-M4x9.5 Torx	1	71	B	219383	Wire Asy-Switch	1
32	B	216590	. Washer-M4 Flat	1	72	B	222308	Flywheel	1
33	C	216092	. Drum/Rope Assembly	1	73	C	216022	Screw-4x23.4 Torx (30-35 in. lb. torque)	2
34	B	216093	.. Rope-Starter 36"	1	74	B	219848	Ignition Assembly	1
35	C	217482	. Spring-Starter	1	75	B	95266	. Boot-Spark Plug	1
36	B	218941	. Washer-Nylon	1	76	B	102556	. Connector	1
37	C	216792	. Handle-Starter	1					
38	C	217382	Cushion-Fuel Tank/Starter	1					
39	A	-219901	Fuel Tank Assembly	1					
40	B	-219899	. Hose-Fuel Inlet	1					

① Because both Chrome and Aluminum Cylinders were used on 12- and -13 Level units, it is essential that both Cylinder and Piston be replaced simultaneously. Kit, P/N 222594 (item number 51) should be ordered.

[Order McCulloch Blower Parts on eBay](#)

# FIGURE 2 GENERAL ASSEMBLY

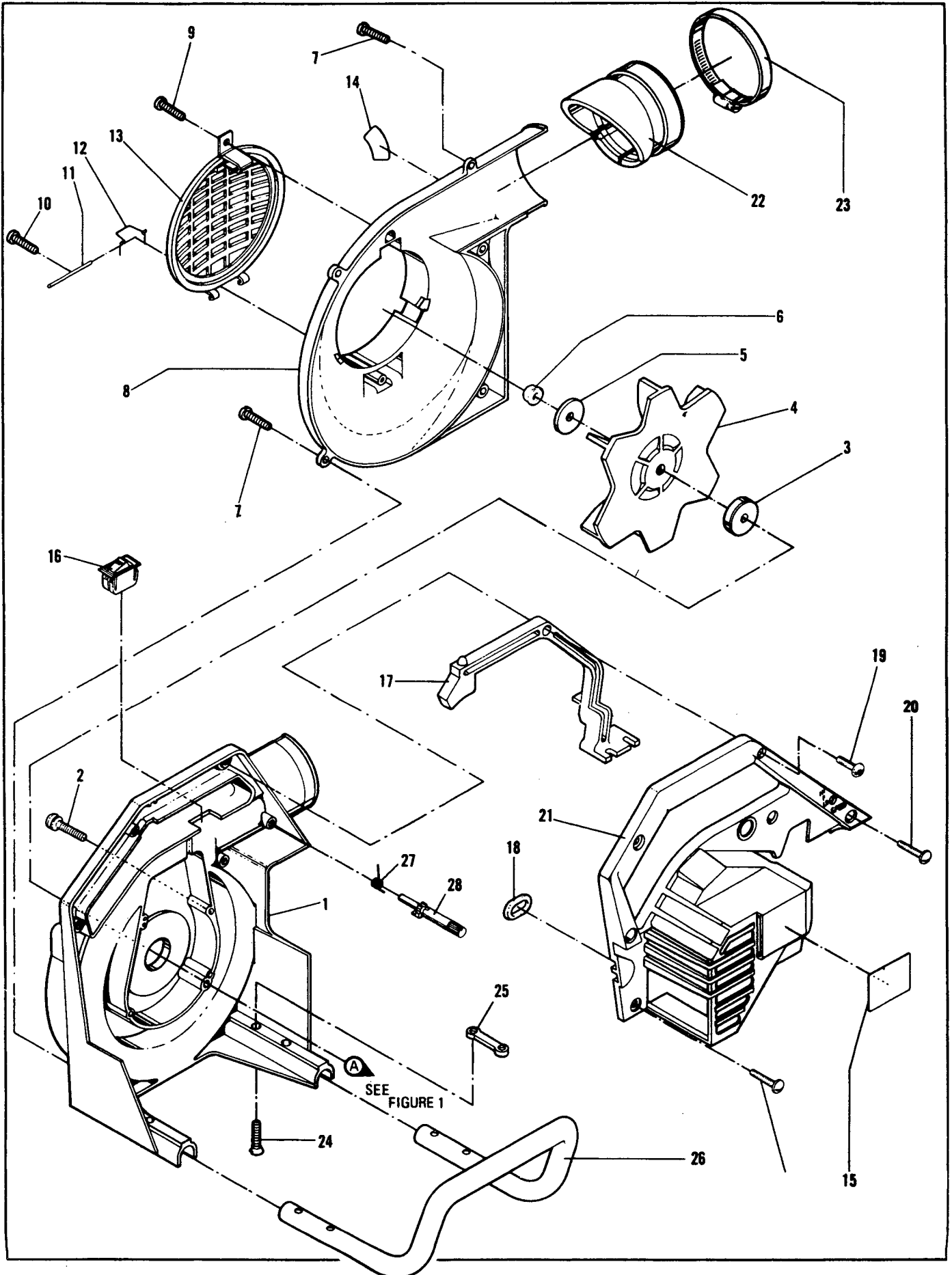


FIGURE 2 GENERAL ASSEMBLY

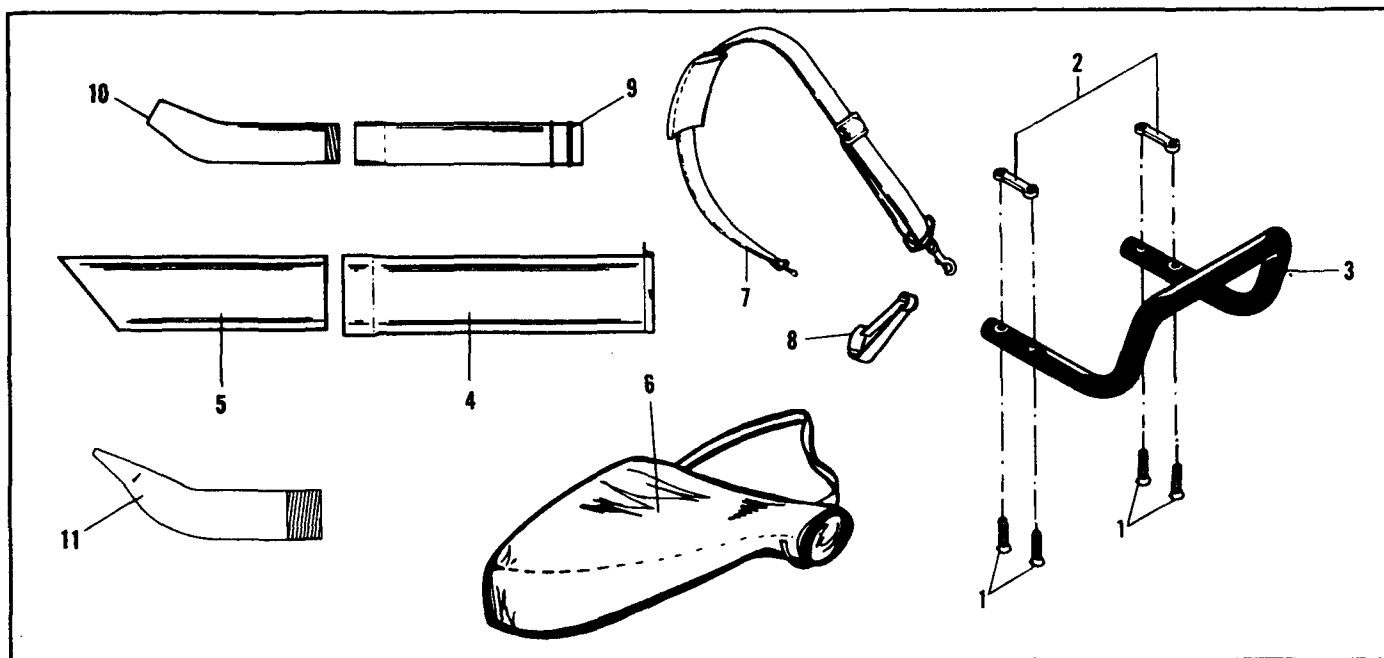
ITEM NO.	STK CODE	PART NUMBER	DESCRIPTION	UNITS PER ASY.
1	A	219947	① Housing-Inner Impeller	1
2	C	216022	Screw-M4x23.4 Torx (12-16 in. lb. torque)	4
3	A	218655	Disc-Drive	1
4	A	218518	Impeller	1
5	A	218656	Washer-Impeller	1
6	A	213169	Nut-Hx Flange M8 (150-168 in. lb. torque)	1
7	B	218644	Screw-10-14x.75 Torx (35-45 in. lb. torque)	5
8	A	219178	Housing-Outer Impeller	1
9	A	216389	Screw-Hex 8-32x.5 (20-25 in. lb. torque)	1
10	B	218643	Screw-8-16x.50 Torx (20-25 in. lb. torque)	1
11	A	218538	Pin-Cover	1
12	A	218539	Spring-Cover	1
13	B	218939	Cover-Inlet	1
14	A	218852	Decal-Warning Inlet	1
15	A	218797	Decal-Warning	1

ITEM NO.	STK CODE	PART NUMBER	DESCRIPTION	UNITS PER ASY.
16	A	-223241	Switch Momentary	1
17	A	219189	Trigger	1
18	A	218667	Link-Harness	2
19	A	219954	Screw 8-18x.75 Type B (45-55 in. lb. torque)	1
20	B	218644	Screw-10-14x.75 (35-45 in. lb. torque)	5
21	A	219946	② Shroud-Engine	1
22	B	219174	Adapter-Tube	1
23	B	219172	Clamp-Hose	1
24	B	218947	Screw-10-24x1.12 (55-60 in. lb. torque)	4
25	B	218117	Plate-Nut	2
26	A	-223800	③ Frame-Rear	1
27	A	219187	Spring-Throttle Lock	1
28	A	219188	Activator-Throttle Lock	1

- ① With Switch Hole.
- ② Without Switch Hole.
- ③ Original Equipment on Blower/Vac units only. Available as an accessory in Kit,(P/N 218717-01) for models without Vacuum attachments.

ACCESSORIES

FIGURE 3

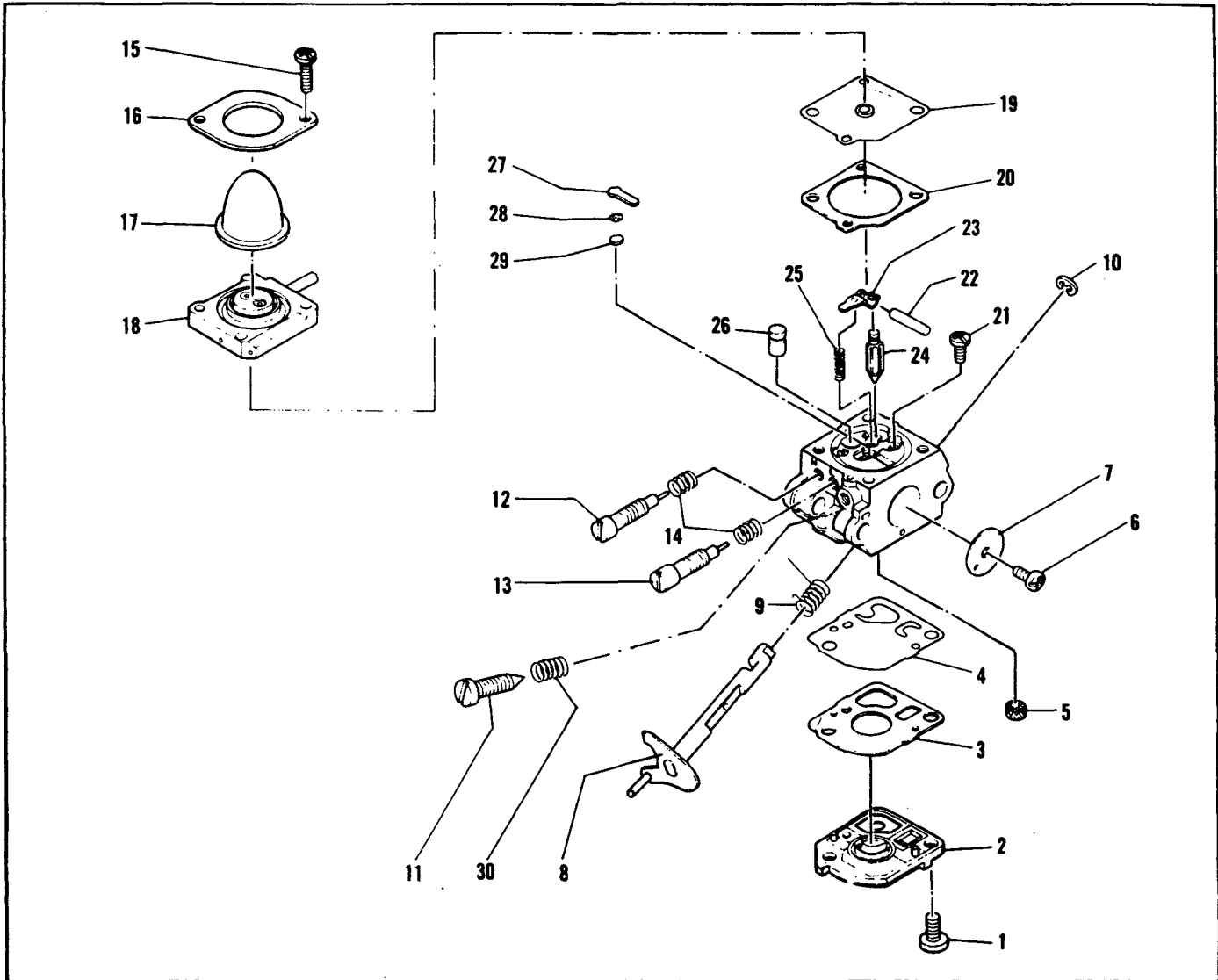


ITEM NO.	STK CODE	PART NUMBER	DESCRIPTION	UNITS PER ASY.
1	C	218717-01	Kit-Vacuum	1
	A	218947	Screw-10-24x1.12 (35-45 in. lb. torque)	4
2	B	218117	Plate-Nut	2
3	A	-223800	Frame-Rear	1
4	A	-223798	Vacuum Tube Upper Section	1
5	A	-223799	Vacuum Tube Lower Section	1

ITEM NO.	STK CODE	PART NUMBER	DESCRIPTION	UNITS PER ASY.
6	B	218660	Bag Assembly	1
7	B	218666	Harness	1
8	A	218938	Hook-Snap	1
9	B	219173-01	Blower Tube-Straight	1
10	B	219179	Blower Nozzle-Curved	1
11	A	218841	Nozzle-Fishtail	1

[Order McCulloch Blower Parts on eBay](#)

# FIGURE 4 CARBURETOR ASSEMBLY



ITEM NO.	STK. CODE	PART NUMBER	DESCRIPTION	UNITS PER ASY.
	A	-222937*	Carburetor - Zama M21	1
1	--	--	. Screw-Pump Cover	2
2	--	--	. Cover-Pump	1
3	--	--	. Gasket-Pump	1
4	--	--	. Diaphragm-Pump	1
5	--	--	. Strainer	1
6	--	--	. Screw Throttle Valve	1
7	--	--	. Valve-Throttle	1
8	--	--	. Shaft Asy-Throttle	1
9	--	--	. Spring-Throttle Return	1
10	--	--	. "E" Ring-Throttle Shaft	1
11	--	--	. Screw-Throttle Adjust.	1
12	--	--	. Screw-High Speed	1
13	--	--	. Screw-Low Speed	1
14	--	--	. Spring-Adjuster Screw	2
15	--	--	. Screw-Metering Cover	2

ITEM NO.	STK. CODE	PART NUMBER	DESCRIPTION	UNITS PER ASY.
16	--	--	. Retainer-Primer	1
17	C	-223756	. Primer Bulb	1
18	--	--	. Base Asy-Primer	1
19	--	--	. Diaphragm Asy-Metering	1
20	--	--	. Gasket-Metering Chamber	1
21	--	--	. Screw-Pin Retaining	1
22	--	--	. Pin-Metering Lever	1
23	--	--	. Lever-Metering	1
24	--	--	. Valve-Inlet Needle	1
25	--	--	. Spring-Metering Lever	1
26	--	--	. Nozzle Asy-Check Valve	1
27	--	--	. Plug-Welch	1
28	--	--	. Retainer-Check Valve	1
29	--	--	. Valve-Check	1
30	--	--	. Spring-Adj. Screw	1

NOTE: Carburetor parts are shown for identification and disassembly sequence purposes only. Components are not available separately unless a part number is listed before the part description.

- ① Contained in Major Repair Kit, P/N 224400 (CODE B).
- ② Contained in Gasket/Diaphragm Kit, P/N 224401 (CODE B).

# SPECIFICATIONS FIGURE 5

ENGINE TYPE . . . . .	Two Cycle Single Cylinder
DISPLACEMENT . . . . .	21.2cc
CYLINDER TYPE . . . . .	Aluminun
IGNITION . . . . .	Electronic
MUFFLER . . . . .	Large Volume
SPARK ARRESTOR SCREEN . . . . .	U.S.Forest Service Approved
CARBURETOR . . . . .	All Position Diaphragm
AIR FILTER . . . . .	Molded Felt
FUEL CAPACITY . . . . .	14.6 Fl. Oz.
RUNNING TIME . . . . .	35-40 Minutes
AIR VOLUME . . . . .	400 CFM
OIL TYPE . . . . .	40:1 2-Cycle Custom Lubricant
AIR VELOCITY . . . . .	140 MPH
IMPELLER TYPE . . . . .	Centrifugal Fan
IMPELLER BLADE NUMBER . . . . .	6
IMPELLER SPEED . . . . .	7000 RPM
DRY WEIGHT . . . . .	11.2 Lbs.
NUMBER OF VACUUM TUBES . . . . .	2 Sections
LENGTH OF VACUUM TUBES . . . . .	34 3/4" Total (Installed)
VACUUM TUBE DIAMETER . . . . .	4 1/2"
NUMBER OF BLOWER TUBES . . . . .	25 1/2" Total (Installed)
BLOWER TUBE/NOZZLE OUTLET DIA. . . . .	2 3/4"/ 1 7/8" Respectively

# TOOLS/LUBRICATIONS FIGURE 6

PART NUMBER	STK. CODE	DESCRIPTION
215439	D	TOOL-Piston Driving
215443	D	PLATE-Pressure (Intake)
215444	D	GASKET-Intake
215445	D	GASKET-Exhaust
222785	D	TORX Drive