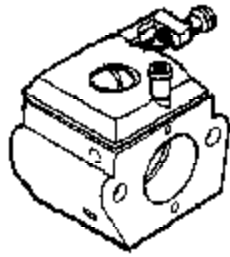


Kit - Carburetor Assembly No. 530071620 - WALBRO WT-624

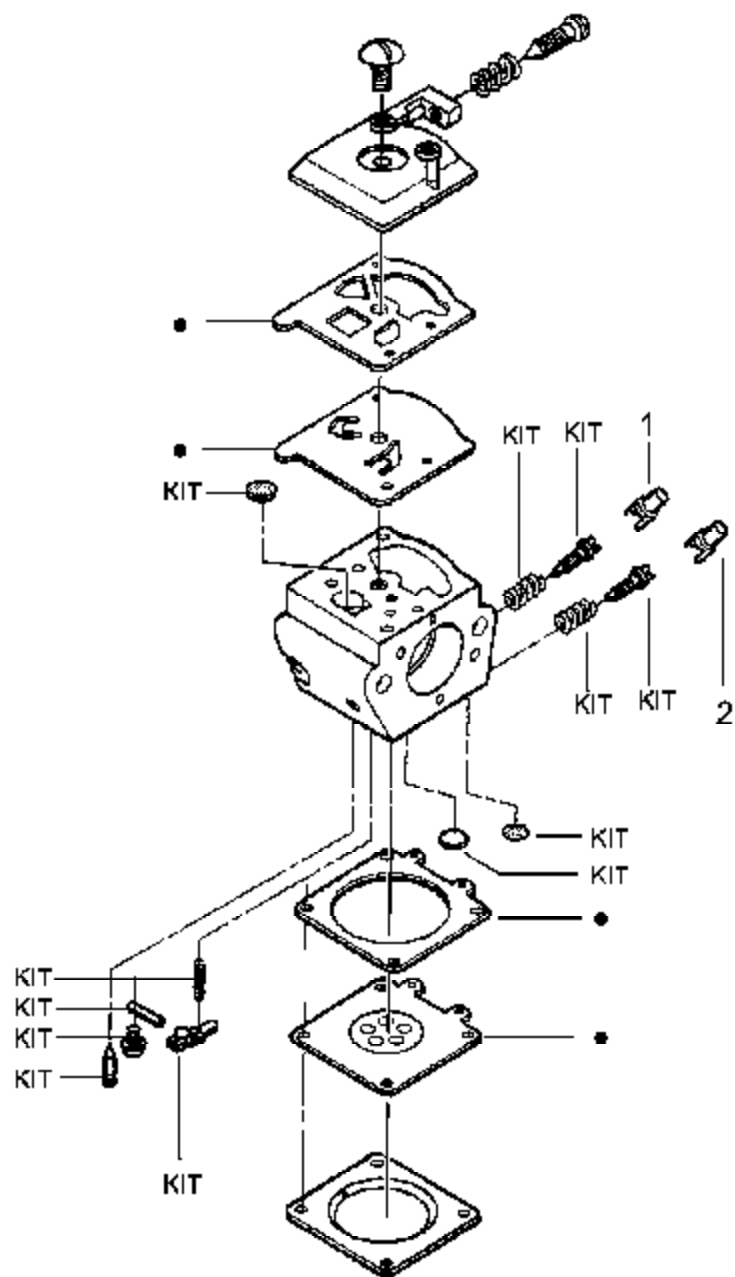


Note: No Repair kits are available for this carburetor, please order the complete assembly part number 530-071620 - WT-624

Ref #	Part Number	Qty	Description
530071620	530071620		Kit - Carburetor Assembly - WALBRO WT-624

2075OC Gas Saw Type of 10
Carburetor Assembly (Walbro)

Carburetor Assembly – WT324 – #530069703



Carb.
Repair
Kit

3

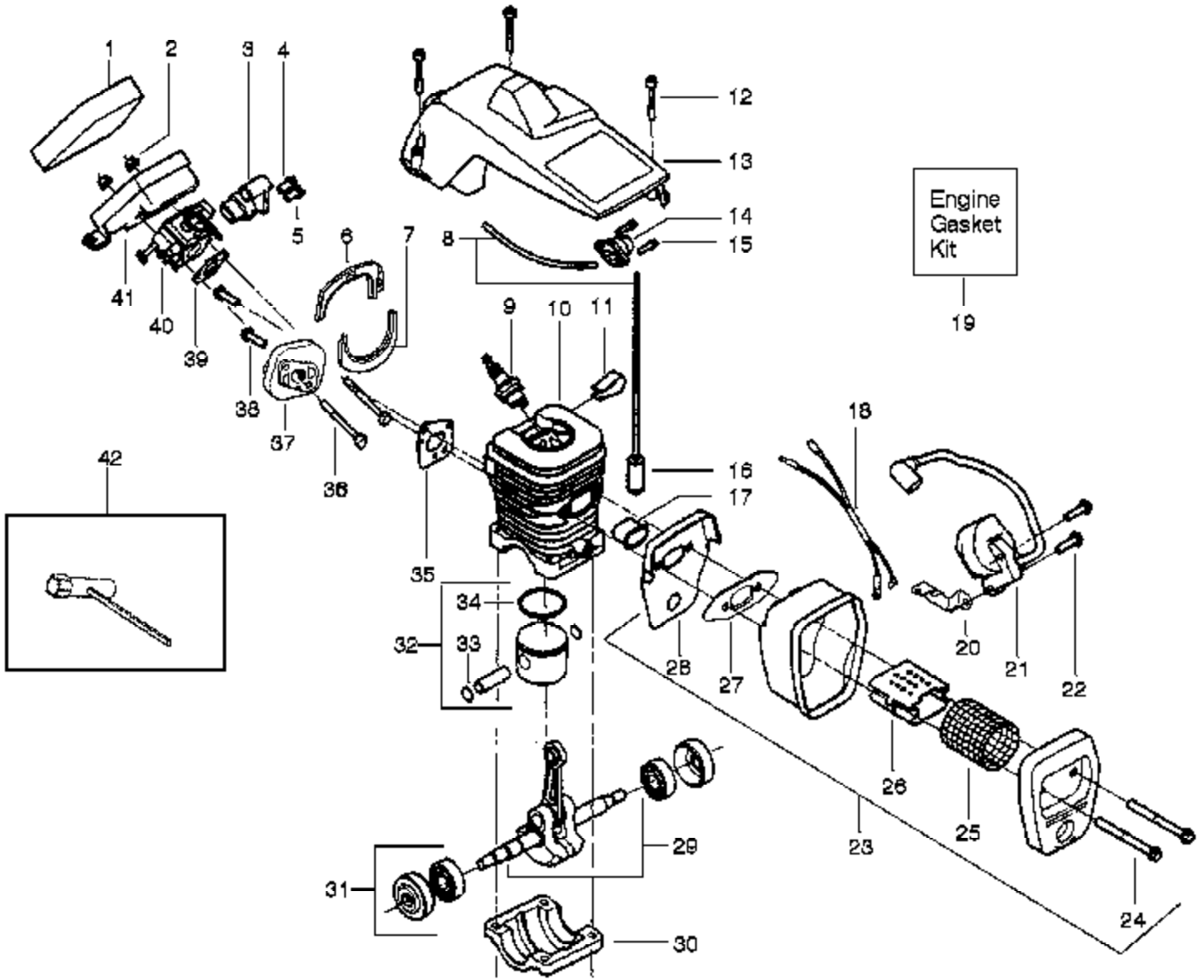
Gasket/
Dia.
Kit

4

Ref #	Part Number	Qty	Description
1	530038479		Limiter Cap-High (brown)
2	530038478		Limiter Cap-Low (tan)
3	530069826		Carburetor Repair Kit (KIT = Indicates Contents)
4	530069844		Gasket Diaphragm Kit (DOT Indicates Contents)
530069703	530069703		Carburetor Assembly (WT324)

2075OC Gas Saw Page 4 of 10
 Carburetor Assembly (WT324)

TYPE 1,2

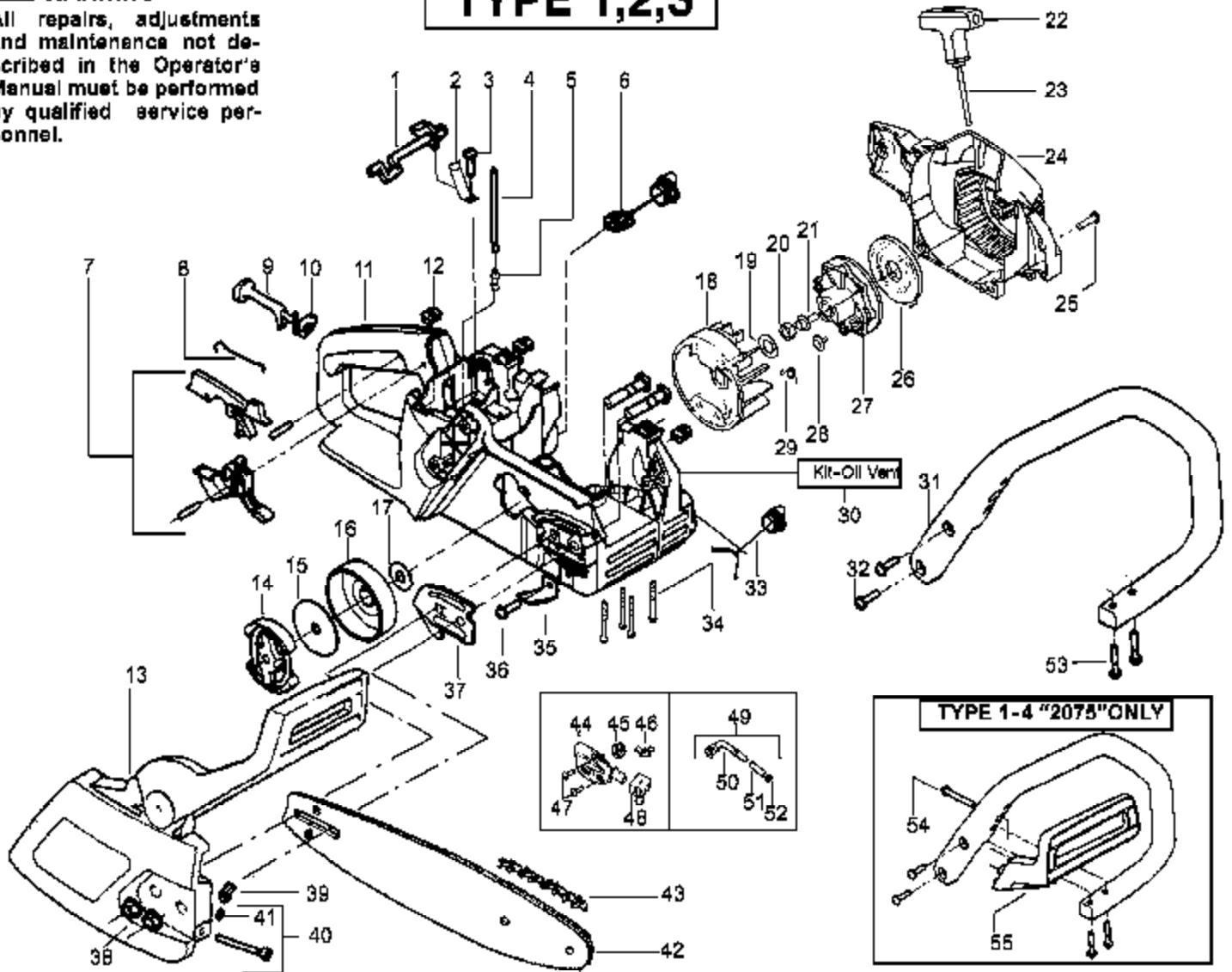


Ref #	Part Number	Qty	Description
1	530037793		Foam-Air Filter
2	530016101		Nut
3	530049244		Grommet-Carb Adjust
4	530038479		Limiter Cap-High (red)
5	530038478		Limiter Cap-Low (blue)
6			Seal-Carb Adapter (See "Service Reference")
7			Seal-Carb Adapter (See "Service Reference")
8	530069247		Kit-Fuel Line (Small)
9	952030150		Spark Plug (RCJ-7Y)
10	530069606		Kit-Cylinder
11	530016136		Clip-High Tension Lead
12	530016153		Screw
13	530071310	2075OC Gas Saver Type 1-10	Shield-Cylinder 2075
13	530055187	Engine Assembly Type 1 & 2	Shield-Cylinder 2075c
13	530056047		Shield-Cylinder 2075oc
14	530047213		Assy-Air Purge
15	530015780		Screw
16	530095646		Assy-Fuel Pick-up
17	530037652		Insulator-Heat
18	530052296		Assy.-Wire Harness
19	530069608		Kit-Engine Gasket (Incl. 27, 35 & 39)
20	530047442		Strap-Ground
21	530052277		Module-Ignition
22	530015814		Screw
23	530047207		Assy-Muffler (Incl. 24,25,26,27,28)
24	530016132		Screw
25	530036103		Screen-Spark
26	530037813		Diffuser-Muffler
27	530069608		Gasket-Muffler
28	530049870		Backplate-Muffler
29	530047062		Assy.-Crankshaft
30	530037935		Cap-Crankcase
31	530056363		Assy.-Seal & Bearing
32	530069604		Kit-Piston (Incl. 33 & 34)
33	530015697		Retainer-Piston Pin
34	530029805		Ring-Piston
35	530069608		Gasket-Carb. Adapter
36	530016187		Screw
37	530071310		Adapter-Carb. 2075 (Kit)
37	530049700		Adapter-Carb. 2075c, 2075oc
38	530016386		Screw
39	530069608		Gasket-Carburetor
40	530069703		Kit-Carburetor (Incl. 4 & 5)
41	530037804		Housing-Air Filter
42	530031163		Wrench-Bar
	530087857		Operator Manual 2075 (Type 1-4) Not Shown
	530088308		Operator Manual 2075 2075C, 2075OC (Type 5) Not Shown
	530038257		Operator Manual Decal Instruction Not Shown
	530038486		Operator Manual Decal Stop Not Shown

⚠ WARNING

All repairs, adjustments and maintenance not described in the Operator's Manual must be performed by qualified service personnel.

TYPE 1,2,3



Ref #	Part Number	Qty	Description
1	530038227		Lever-Switch
2	530016149		Spring-Switch
3	530015775		Screw
4	530069216		Kit-Fuel Line (Large)
5	530023877		Fitting-fuel line
6	530047192		Assy-Fuel Cap
7	530071305		Kit-Trigger & Lockout (Includes Pin)
8	530037809		Wire-Throttle
9	530047989		Lever-Choke
10	530038406		Grommet-Choke Knob
11	530069822		Assy-Chassis 2075
11	530056605		Assy-Chassis 2075C
11	530055588	2075OC Gas, Same Type of 10	Assy-Chassis 2075OC
12	530015922	Handle, Chassis & Bar Assel	Nut-Speed
13	530054735		Assy-Chainbrake 2075 (Type 1,2,3,4,5)
13	530055190		Assy-Chainbrake 2075C
13	530056054		Assy-Chainbrake 2075OC
14	530014949		Assy.-Clutch
15	530015611		Washer-Clutch
16	530047061		Assy-Drum W/brg.
17	530015907		Washer-Thrust
18	530039209		Assy-Flywheel
19	530015127		Washer-Flywheel
20	530016134		Nut-Flywheel
21	530015920		Screw
22	530037485		Handle-Starter
23	530069232		Kit-Rope
24	530049334		Housing-Fan 2075
24	530055188		Housing-Fan 2075C
24	530056049		Housing-Fan 2075OC
25	530015892		Screw
26	530027531		Spring-Starter
27	530037817		Pulley-Starter
28	530016080		Screw
29	530023817		Spring-starter dog
30	530071666		Kit-Oil Vent
31	530056798		Handle-Front
32	530015814		Screw
33	530010846		Assy-Oil Cap
34	530016132		Screw
35	530029850		Chain Catcher
36	530015814		Screw
37	530038238		Plate-Bar Mounting
38	530015917		Nut-Bar Mounting
39	530015826		Pin-Bar Adjust
40	530069611		Kit-Bar Adj. (Incl 39,41)
41	530038593		Retainer-Bar Adjust
42	952044368		Bar-14" 2075
	952044370		Bar-16" 2075
	530044836		Bar-16" 2075c, 2075oc
	952044418		Bar-18" 2075
43	952051209		Chain-14"
	952051211		Chain-16"
	952051338		Chain-18"
44	530071259		Kit-Oil Pump (Incl 45,46,48)
45	530037820		Gear-Worm Spring

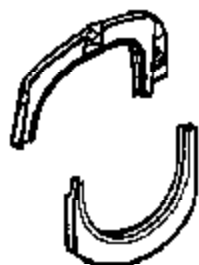
Ref #	Part Number	Qty	Description
46	530049477		Elbow-Oil Pickup
47	530016064		Screw
48	530019206		Block-Seal
49	530047663		Assy-Oil-Pickup (Incl. 50-52)
50	530038373		Pickup-Oiler
51	530037821		Filter-Oil
52	530030189		Plug-Oil Filter
53	530015940		Screw
54	530016020		Bolt-Handguard
55	530038224		Handguard

2075OC Gas Saw Type of 10
 Handle, Chassis & Bar Asse

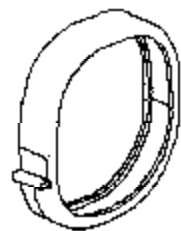
★★★★★ **Service Reference** ★★★★★

Note: Your chain saw may have either a one or two piece seal. Please note the two piece seal is no longer available, and you will need to order the one piece seal as a replacement.

Two Piece Seal



One Piece Seal



If your saw has the one or two piece seal, order the **530054144** seal.