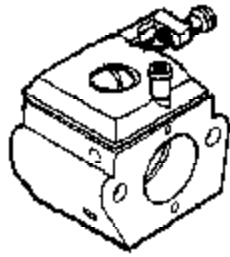


Kit - Carburetor Assembly No. 530071620 - WALBRO WT-624

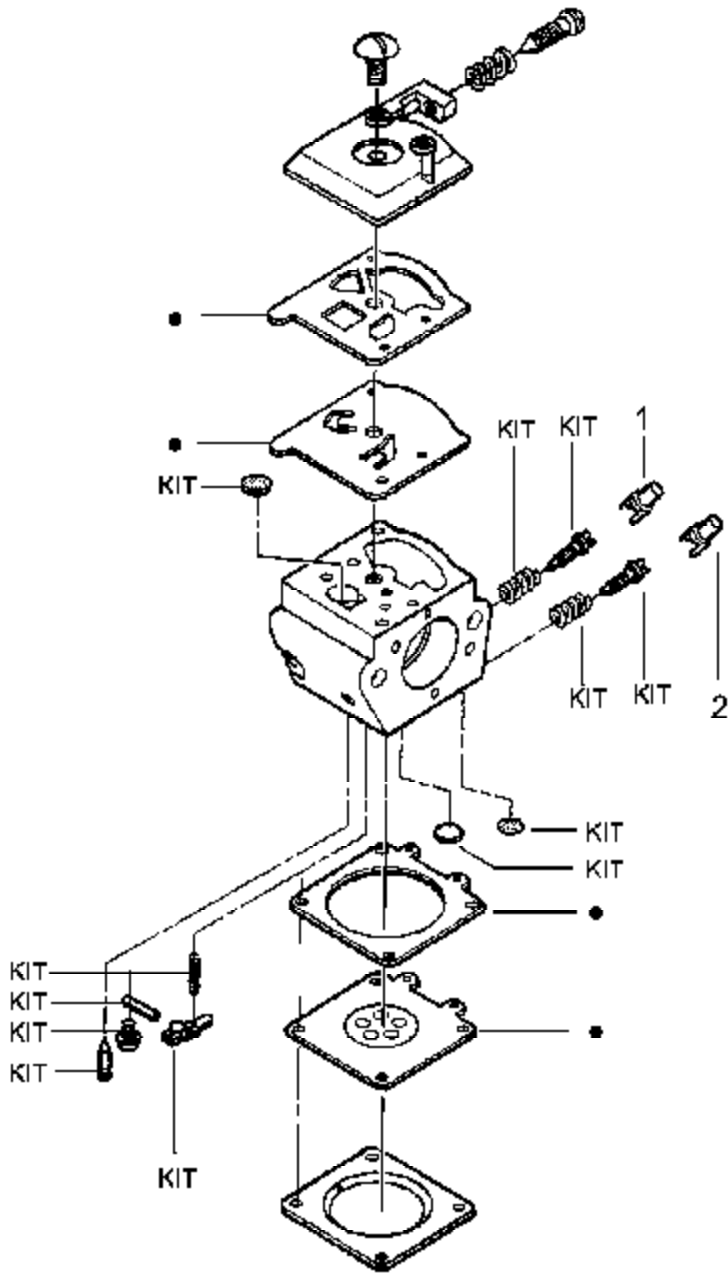


Note: No Repair kits are available for this carburetor, please order the complete assembly part number 530-071620 - WT-624

| Ref # | Part Number | Qty | Description |
|-----------|-------------|-----|---|
| 530071620 | 530071620 | | Kit - Carburetor Assembly - WALBRO WT-624 |

2075OC Gas Saw Type 6
Carburetor Assembly (Walbro)

Carburetor Assembly – WT324 – #530069703



Carb.
Repair
Kit

3

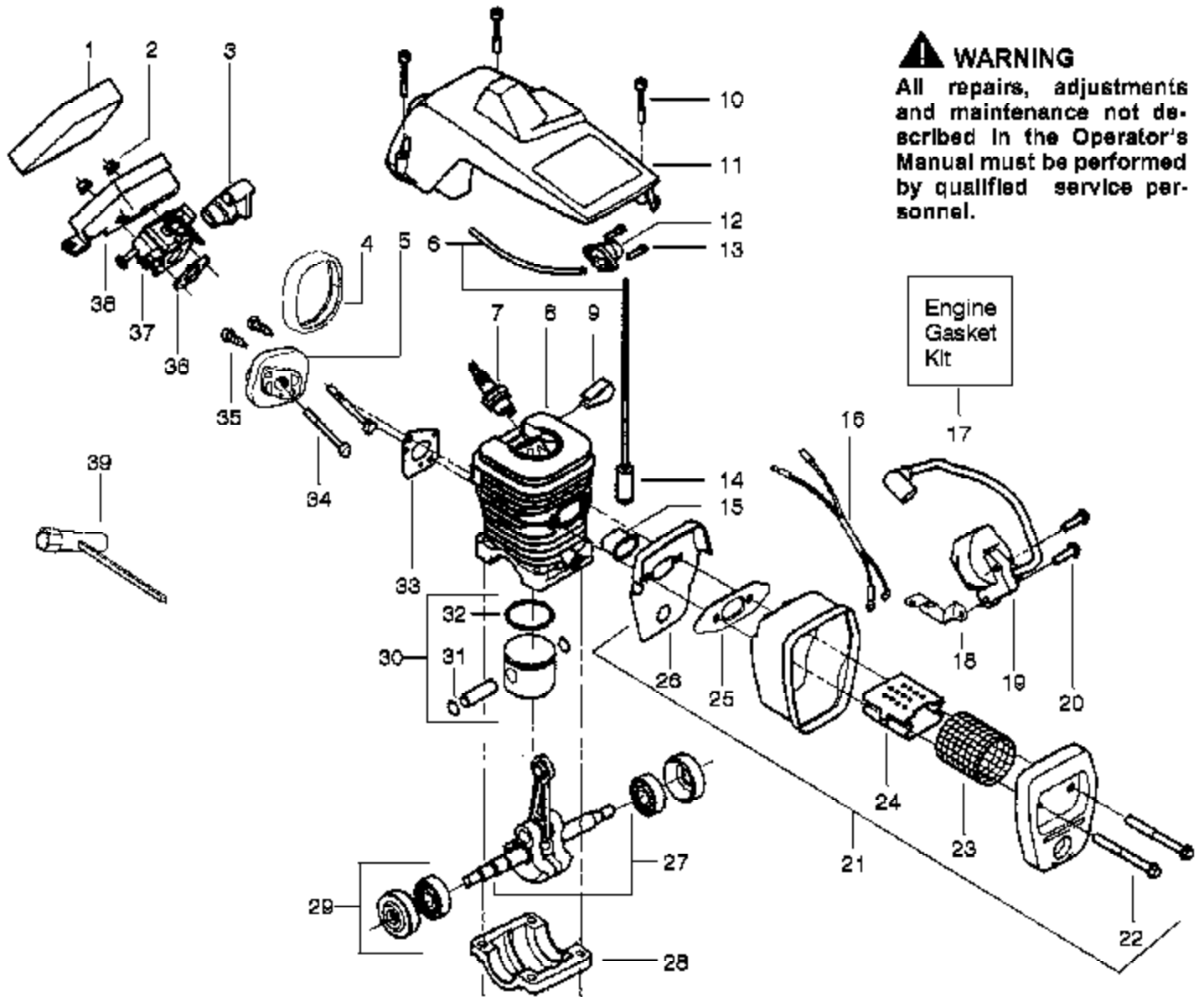
Gasket/
Dia.
Kit

4

| Ref # | Part Number | Qty | Description |
|-----------|-------------|-----|--|
| 1 | 530038479 | | Limiter Cap-High (brown) |
| 2 | 530038478 | | Limiter Cap-Low (tan) |
| 3 | 530069826 | | Carburetor Repair Kit (KIT = Indicates Contents) |
| 4 | 530069844 | | Gasket Diaphragm Kit (DOT Indicates Contents) |
| 530069703 | 530069703 | | Carburetor Assembly (WT324) |

2075OC Gas Saw Type 6
Page 6 of 10
Carburetor Assembly (WT324)

TYPE 3

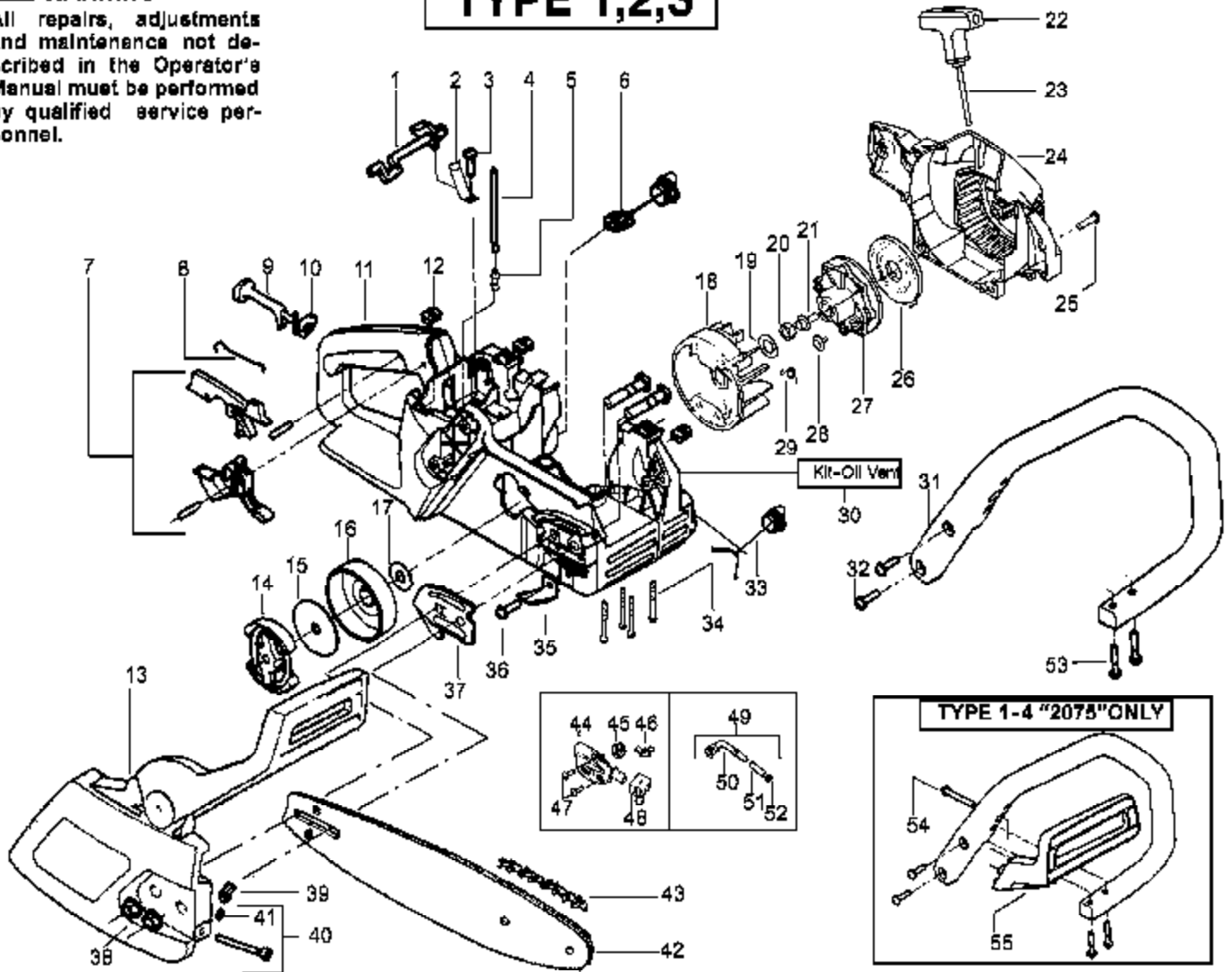


| Ref # | Part Number | Qty | Description |
|-------|-------------|-----------------------------|---------------------------------------|
| 1 | 530037793 | | Foam-Air Filter |
| 2 | 530016101 | | Nut |
| 3 | 530035526 | | Grommet-Carb Adjust |
| 4 | 530054144 | | Seal-Carb Adapter |
| 5 | 530049700 | | Carb. Adapter |
| 6 | 530069247 | | Fuel Line Kit (Small) |
| 7 | 952030150 | | Spark Plug (RCJ-7Y) |
| 8 | 530071412 | | Kit-Cylinder |
| 9 | 530016136 | | Clip-High Tension Lead |
| 10 | 530016153 | | Screw |
| 11 | 530071310 | | Cylinder Shield |
| 12 | 530047213 | | Air Purge Ass'y. |
| 13 | 530015780 | 2075OC Gas Saw Type 6 of 10 | Screw |
| 14 | 530095646 | Engine Assembly Type 3 | Fuel Pick-Up Ass'y. |
| 15 | 530037652 | | Heat Insulator |
| 16 | 530052296 | | Assy.-Wire Harness |
| 17 | 530069608 | | Kit-Engine Gasket (Incl. 25, 33 & 36) |
| 18 | 530047442 | | Strap-Ground |
| 19 | 530039198 | | Module-Ignition |
| 20 | 530015814 | | Screw |
| 21 | 530047207 | | Assy-Muffler (Incl. 22-26) |
| 22 | 530016132 | | Screw |
| 23 | 530036103 | | Screen-Spark |
| 24 | 530037813 | | Diffuser-Muffler |
| 25 | 530069608 | | Gasket-Muffler (kit) |
| 26 | 530049870 | | Backplate-Muffler |
| 27 | 530047062 | | Assy.-Crankshaft |
| 28 | 530037935 | | Cap-Crankcase |
| 29 | 530056363 | | Assy.-Seal & Bearing |
| 30 | 530071408 | | Kit-Piston (Incl. 31 & 32) |
| 31 | 530015697 | | Retainer-Piston Pin |
| 32 | 530038729 | | Ring-Piston |
| 33 | 530069608 | | Gasket-Carb. Adap.(kit) |
| 34 | 530016187 | | Screw |
| 35 | 530016386 | | Screw |
| 36 | 530069608 | | Gasket-Carb. (kit) |
| 37 | 530071620 | | Kit-Carburetor (Walbro WT-624) |
| 38 | 530037804 | | Housing-Air Filter |
| 39 | 530031163 | | Wrench-Bar |
| | 530163675 | | Operator Manual Not Shown |
| | 530057268 | | Decal Instruction Not Shown |
| | 530038486 | | Decal Stop Not Shown |

⚠ WARNING

All repairs, adjustments and maintenance not described in the Operator's Manual must be performed by qualified service personnel.

TYPE 1,2,3



| Ref # | Part Number | Qty | Description |
|-------|-------------|-----------------------------|---------------------------------------|
| 1 | 530038227 | | Lever-Switch |
| 2 | 530016149 | | Spring-Switch |
| 3 | 530015775 | | Screw |
| 4 | 530069216 | | Kit-Fuel Line (Large) |
| 5 | 530023877 | | Fitting-fuel line |
| 6 | 530047192 | | Assy-Fuel Cap |
| 7 | 530071305 | | Kit-Trigger & Lockout (Includes Pin) |
| 8 | 530037809 | | Wire-Throttle |
| 9 | 530047989 | | Lever-Choke |
| 10 | 530038406 | | Grommet-Choke Knob |
| 11 | 530069822 | | Assy-Chassis 2075 |
| 11 | 530056605 | | Assy-Chassis 2075C |
| 11 | 530055588 | 2075OC Gas, Same Type of 10 | Assy-Chassis 2075OC |
| 12 | 530015922 | Handle, Chassis & Bar Asse | Nut-Speed |
| 13 | 530054735 | | Assy-Chainbrake 2075 (Type 1,2,3,4,5) |
| 13 | 530055190 | | Assy-Chainbrake 2075C |
| 13 | 530056054 | | Assy-Chainbrake 2075OC |
| 14 | 530014949 | | Assy.-Clutch |
| 15 | 530015611 | | Washer-Clutch |
| 16 | 530047061 | | Assy-Drum W/brg. |
| 17 | 530015907 | | Washer-Thrust |
| 18 | 530039209 | | Assy-Flywheel |
| 19 | 530015127 | | Washer-Flywheel |
| 20 | 530016134 | | Nut-Flywheel |
| 21 | 530015920 | | Screw |
| 22 | 530037485 | | Handle-Starter |
| 23 | 530069232 | | Kit-Rope |
| 24 | 530049334 | | Housing-Fan 2075 |
| 24 | 530055188 | | Housing-Fan 2075C |
| 24 | 530056049 | | Housing-Fan 2075OC |
| 25 | 530015892 | | Screw |
| 26 | 530027531 | | Spring-Starter |
| 27 | 530037817 | | Pulley-Starter |
| 28 | 530016080 | | Screw |
| 29 | 530023817 | | Spring-starter dog |
| 30 | 530071666 | | Kit-Oil Vent |
| 31 | 530056798 | | Handle-Front |
| 32 | 530015814 | | Screw |
| 33 | 530010846 | | Assy-Oil Cap |
| 34 | 530016132 | | Screw |
| 35 | 530029850 | | Chain Catcher |
| 36 | 530015814 | | Screw |
| 37 | 530038238 | | Plate-Bar Mounting |
| 38 | 530015917 | | Nut-Bar Mounting |
| 39 | 530015826 | | Pin-Bar Adjust |
| 40 | 530069611 | | Kit-Bar Adj. (Incl 39,41) |
| 41 | 530038593 | | Retainer-Bar Adjust |
| 42 | 952044368 | | Bar-14" 2075 |
| | 952044370 | | Bar-16" 2075 |
| | 530044836 | | Bar-16" 2075c, 2075oc |
| | 952044418 | | Bar-18" 2075 |
| 43 | 952051209 | | Chain-14" |
| | 952051211 | | Chain-16" |
| | 952051338 | | Chain-18" |
| 44 | 530071259 | | Kit-Oil Pump (Incl 45,46,48) |
| 45 | 530037820 | | Gear-Worm Spring |

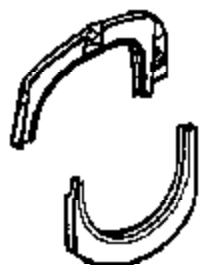
| Ref # | Part Number | Qty | Description |
|-------|-------------|-----|-------------------------------|
| 46 | 530049477 | | Elbow-Oil Pickup |
| 47 | 530016064 | | Screw |
| 48 | 530019206 | | Block-Seal |
| 49 | 530047663 | | Assy-Oil-Pickup (Incl. 50-52) |
| 50 | 530038373 | | Pickup-Oiler |
| 51 | 530037821 | | Filter-Oil |
| 52 | 530030189 | | Plug-Oil Filter |
| 53 | 530015940 | | Screw |
| 54 | 530016020 | | Bolt-Handguard |
| 55 | 530038224 | | Handguard |

2075OC Gas Saw Type 6
 Page 6 of 10
 Handle, Chassis & Bar Asse

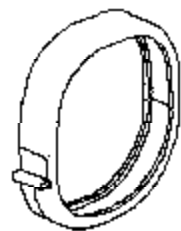
★★★★★ **Service Reference** ★★★★★

Note: Your chain saw may have either a one or two piece seal. Please note the two piece seal is no longer available, and you will need to order the one piece seal as a replacement.

Two Piece Seal



One Piece Seal



If your saw has the one or two piece seal, order the **530054144** seal.