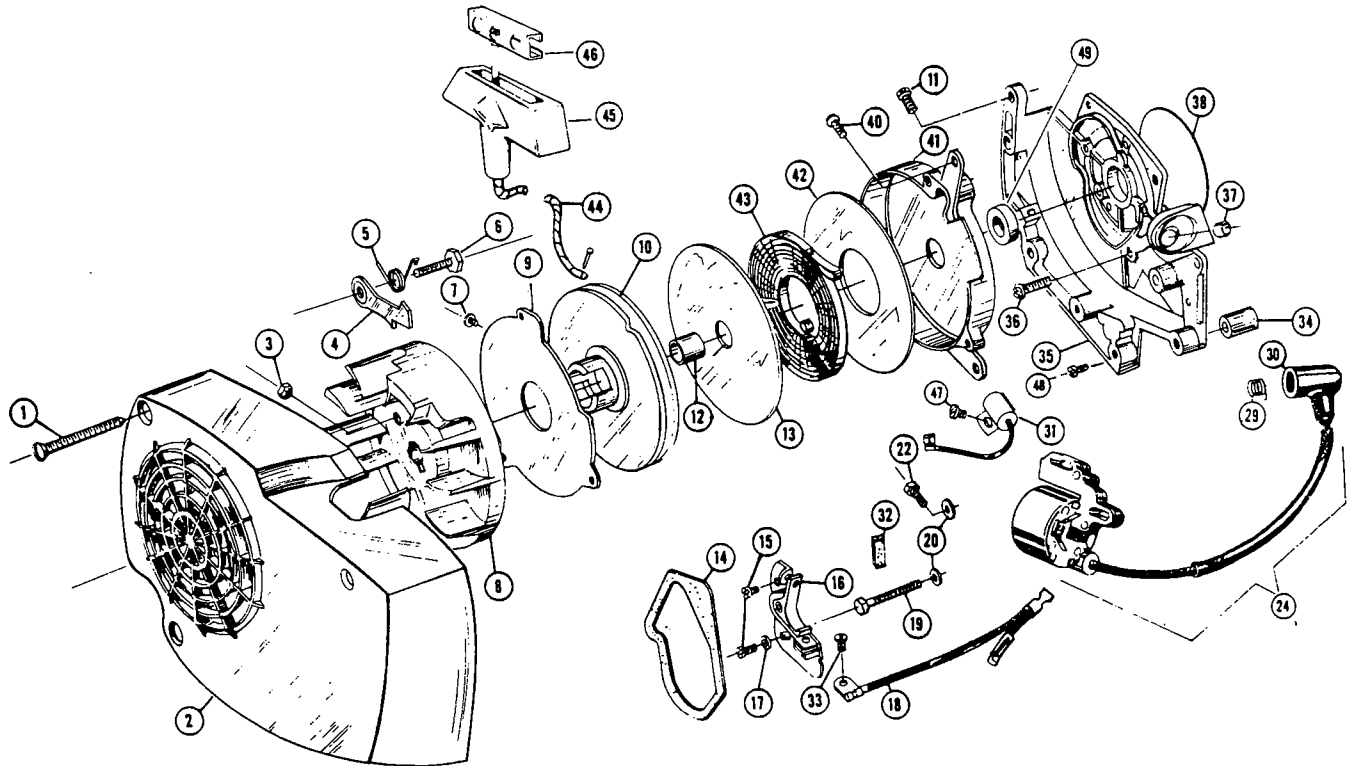


**POULAN CHAIN SAW - PARTS LIST**

**MODEL 245A**

**FIG. 1**



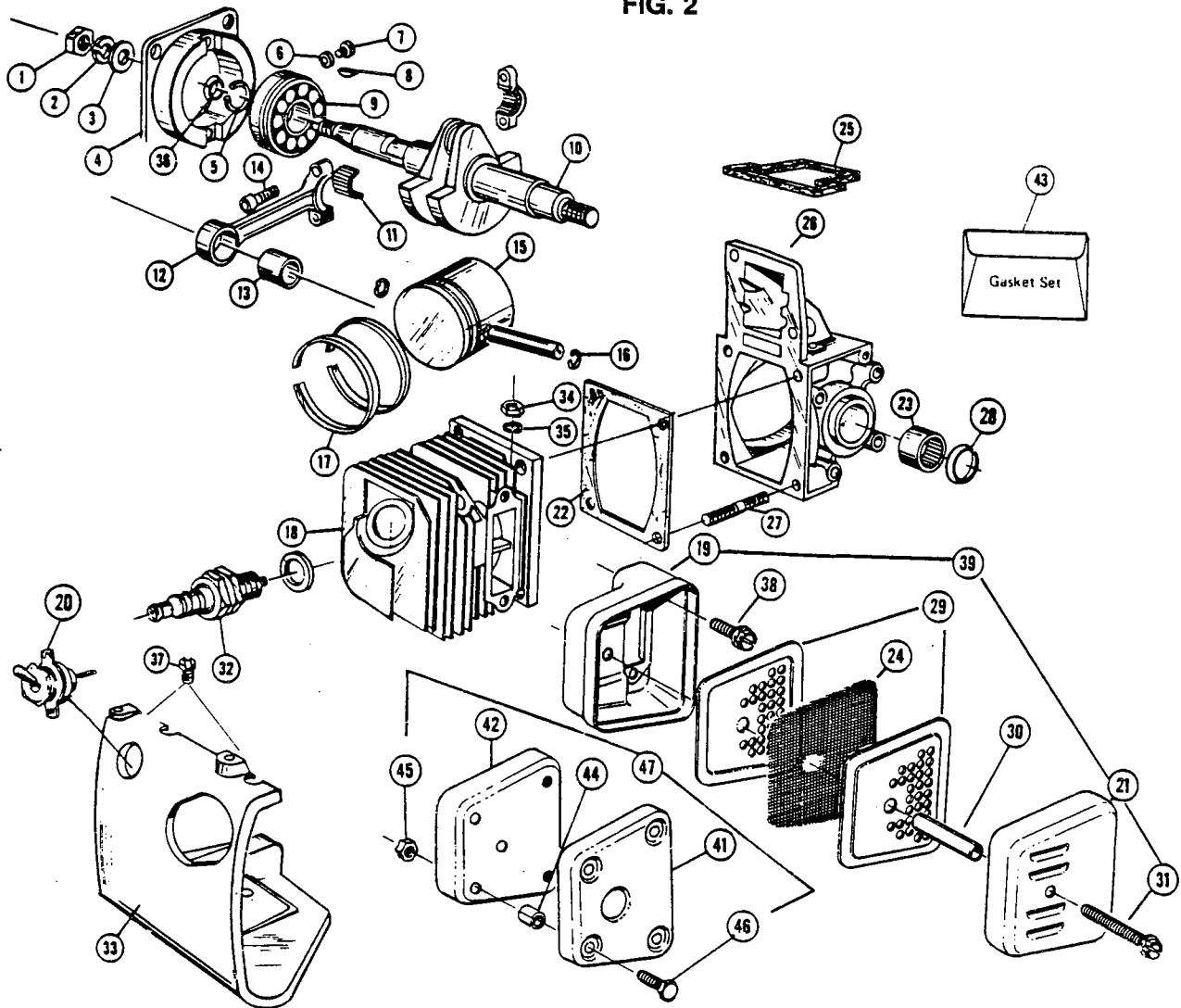
Ref. No.	Part No.	Qty. Req.	Description	Ref. No.	Part No.	Qty. Req.	Description	Ref. No.	Part No.	Qty. Req.	Description
1	15007	3	Screw 10-24 x 2-7/16	18	39019	1	Lead - To Coil	40	15037	3	Screw - Starter Mount
2	11017	1	Housing - Fan	19	15041	1	Screw	41	11172	1	Starter Housing Includes Pin
3	1720	2	Nut - Starter Dog	20	1520	2	Washer No. 8	42	22085	1	Disc - Starter Bottom
4	22021	2	Dog - Starter	22	15038	1	Screw-Coil to Brg. Carrier	43	42012	1	Spring - Recoil
5	42017	2	Spring - Starter Dog	24	39006	1	Coil - Terminal Ass'y. - Includes: Lamination - Retainer & Wire Ass'y.	44	10062	1	Rope - Assembly
6	15005	2	Bolt - Starter Dog	29	3933	1	Connector	45	4266	1	Handle - Starter
7	15004	3	Screw - Starter	30	3934	1	Boot - Spark Plug Wire	46	4268	1	Anchor - Handle
8	39002	1	Flywheel	31	39005	1	Condenser	47	15029	1	Screw - Condenser Mount
9	42015	1	Cover - Starter	32	22036	1	*Wick - Oiler	48	15038	1	Screw - Cyl. Shroud to Bearing Carrier
10	10063	1	Starter Pulley Ass'y. w/Bearing	33	15048	1	Screw - Breaker Lead	49	19042	1	*Seal
11	15038	2	Screw	34	23107	1	Spacer				
12	32001	1	Bearing - Starter Pulley	35	10253	1	Bearing Carrier - w/Rope Bushing				
13	42016	1	Disc - Starter - Top	36	15042	4	Screw - Carrier Mount				
14	19041	1	*Gasket - Points Cover	37	23022	1	*Bushing - Starter Rope				
15	15029	2	Screws	38	19004	1	*O'Ring				
16	39004	1	Breaker Assembly								
17	15027	1	Washer No. 8								

(\*) Indicates Contents of Gasket Kit

POULAN CHAIN SAW - PARTS LIST

MODEL 245A

FIG. 2



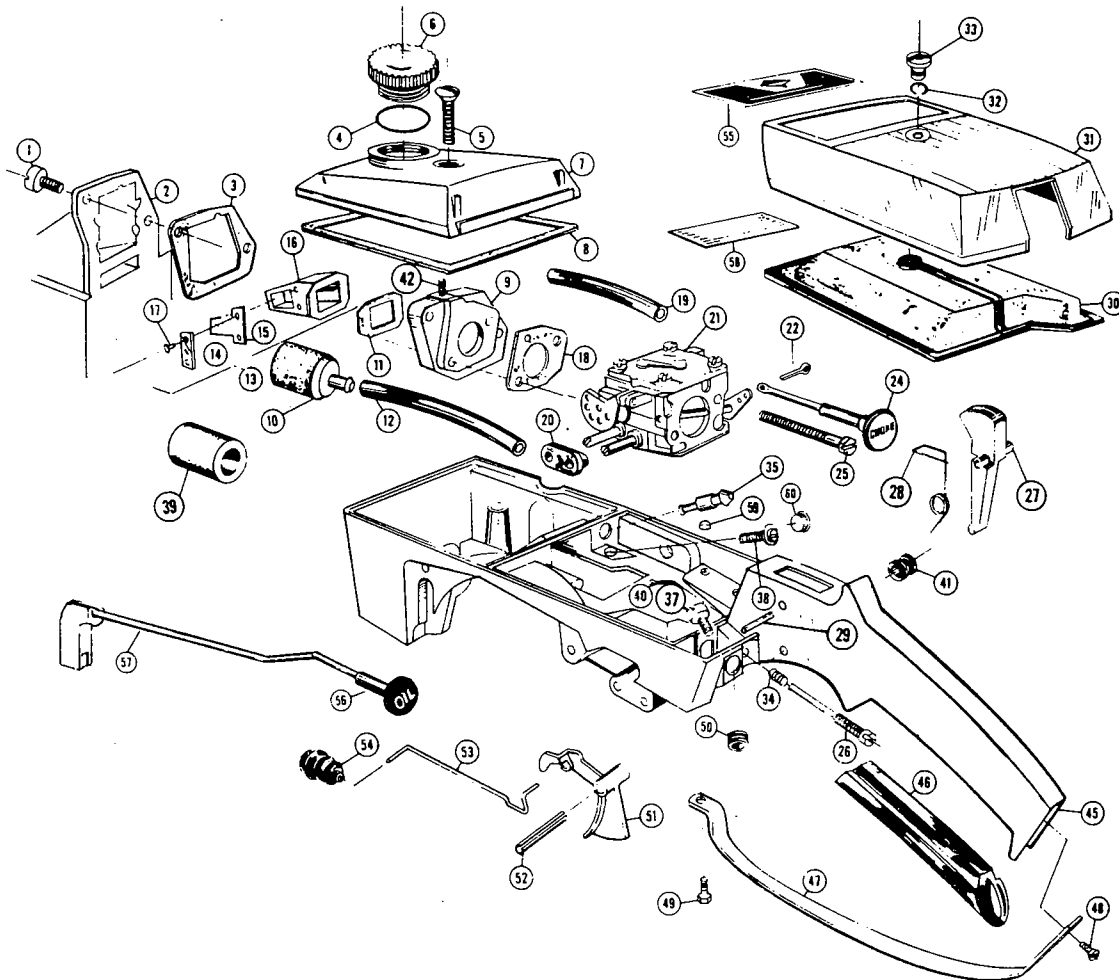
Ref. No.	Part No.	Qty. Req.	Description	Ref. No.	Part No.	Qty. Req.	Description	Ref. No.	Part No.	Qty. Req.	Description
1	1733	1	Nut - Crankshaft	19	24095	1	Muffler Body Assy.	36	19042	1	Seal - Bearing Carrier
2	1635	1	Washer - Lock	20	2582	1	Switch - Plate & Nut	37	1643	2	Screw - Cyl. Shroud
3	1626	1	Washer - Flat	21	24096	1	Cover - Muffler	38	15298	2	Screw - Muffler Mount.
4	10253	1	Bearing Carrier	22	19001	1	*Gasket - Cylinder	39	69033		Muffler Assy. Kit - Incl.
5	15011	1	Ring Retaining	23	32011	1	Bearing				19, 21, 24, 29, 30,
6	15225	2	Washer - Bearing Ret.	24	24092	1	Screen - Muffler				31, & 38
7	1706	2	Screw - Bearing Ret.	25	19006	1	*Dust Seal	40	10261	1	Cover & Shield Assy.
8	2595	1	Key Flywheel	26	10049	1	Crankcase Assembly				(opt.) Incl. 41, 42, 44,
9	3208	1	Bearing	27	1704	4	Includes:	41	24205	1	Heat Shield (opt.)
10	22038	1	Crankshaft (Model 245A)	28	1936	1	Stud - Cylinder	42	24206	1	Cover - Muffler (opt.)
11	32015	1	Needles (Strip of 28)	29	24093	2	Baffle - Muffler	43	69024	1	*Gasket Kit
12	10071	1	Connecting Rod Assy.	30	15308	1	Spacer - Muffler	44	15331	4	Spacer - Cover (opt.)
	646520	1	Includes:	31	15309	1	Screw	45	15332	4	Locking Nut 8-32 (opt.)
14	15094	2	Bearing - Wrist Pin	32	30005	1	Spark Plug & Gasket	46	15333	4	Screw - Hex Slotted
15	23253	1	Piston & Pin								8-32 x 7/16 (opt.)
16	15347	2	Lock Ring	33	11108	1	Shroud - Cylinder	47	69036		Kit Muffler - Heat
17	2638	2	Piston Rings	34	23012	4	Nut - Cylinder				Shield, Incl. item 40
18	11047	1	Cylinder	35	1677	4	Washer - Lock				& instructions.

(\*Indicates Contents of Gasket Kit

**POULAN CHAIN SAW – PARTS LIST**

**MODEL 245A**

**FIG. 3**



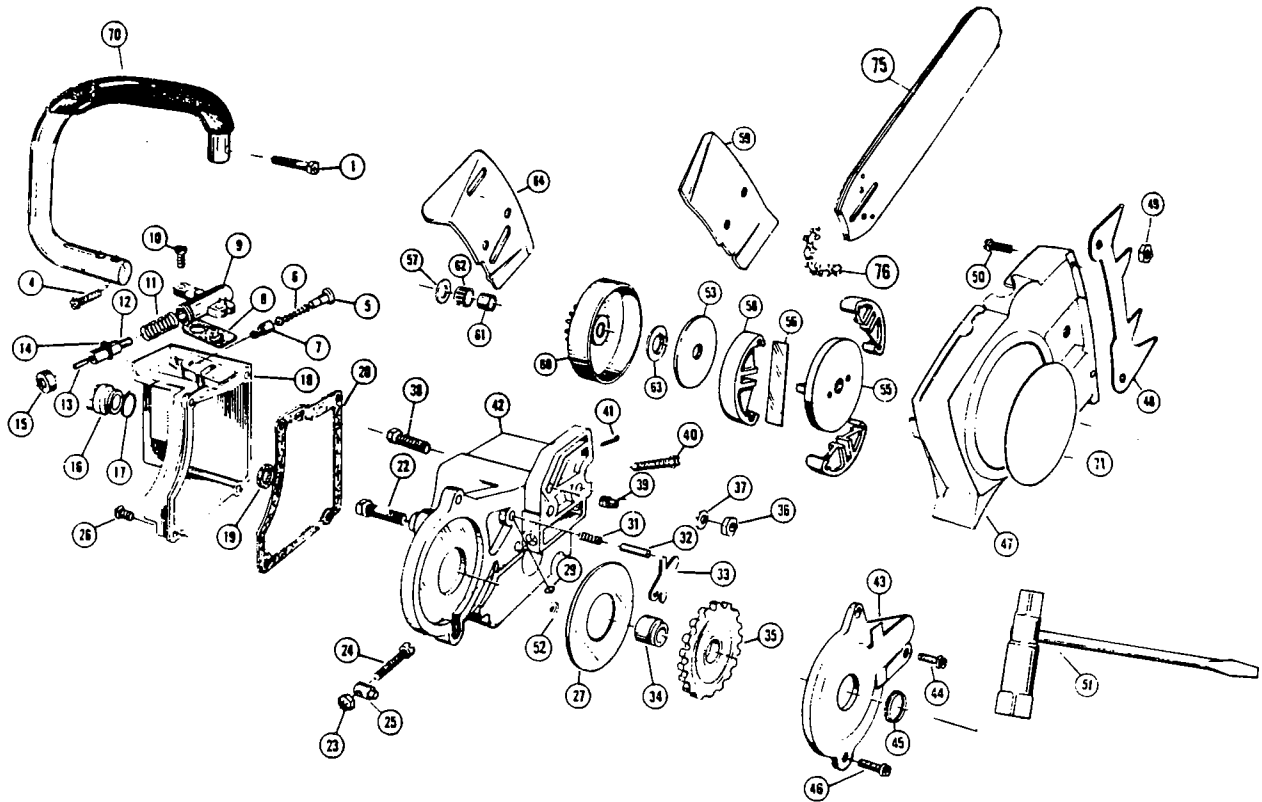
Ref. No.	Part No.	Qty. Req.	Description	Ref. No.	Part No.	Qty. Req.	Description	Ref. No.	Part No.	Qty. Req.	Description
1	1686	2	Screw	19	21003	1	Line - Fuel to Carburetor	39	34032	1	Filter - Fuel
2	10049	1	Crankcase	20	23006	1	Grommet - Carbr'tr Screw	40	15108	1	Cotter Pin - Crankcase Drain
3	19022	1	* Gasket - Carburetor - Adapter to C/Case	21	34016	1	Carburetor (See separate page for parts)	41	2594	1	*Grommet
4	1915	1	* O'Ring - Gas Cap Assy.	22	15154	1	Cotter Pin 3/32 x 1/2	42	15001	1	Stud - Adapter
5	15069	1	Screw - Gas Tank Cover	23	23413	1	Choke Rod - Includes:	45	10035	1	Tank & Handle Assembly
6	10022	1	Gas Cap Assembly	25	15002	2	Screw - Carburetor Mount	46	23052	1	Grip - Handle
7	11161	1	Cover - Fuel Tank	26	10017	1	Screw - Idle	47	23094	1	Handle Brace - Rear
8	19005	1	* Gasket - Fuel Tank	27	23562	1	Button - Throttle Lock	48	15023	1	Screw - Brace Mount
9	10004	1	Adapter Assembly	28	15102	1	Roll Pin - Throttle Lock	49	15037	1	Screw - Brace Mount
10	3792	1	Fuel Pick-Up	29	15103	1	Spring - Throttle Lock	50	23067	1	*Nyliner
11	19008	1	* Gasket - Reed Valve	30	23046	1	Filter - Air	51	23563	1	Trigger
12	2161	1	Fuel Line Pick-Up No. 8120 Line	31	11044	1	Cover - Air Filter	52	15008	1	Roll Pin
13	2383	1	Reed Valve Includes:	32	15003	1	Ring - Retainer	53	23048	1	Rod - Throttle
14	2580	4	Stop Reed	33	15071	1	Nut - Filter Cover	54	2597	1	* Boot - Throttle
15	2579	4	Reed	34	3429	1	Spring - Idle Screw	55	23316	1	Decal (Model 245A)
16	1368	1	Block - Reed	35	23001	1	Fitting - Fuel Tank	56	23003	1	Button - Oiler
17	1713	8	Screw 4-40 x 1/8	37	1643	2	Screw - Cyl. Shield to Tank	57	10043	1	Push Rod - and Bumper
18	19023	1	* Gasket - Carburetor to Adapter	38	15037	1	Scr w - Tank & Handle to C/Case	58	2608	1	Decal - Instruction
								59	23179	2	Plugs
								60	23174	1	Plug Tank & Handle Assy.

(\* )Indicates Contents of Gasket Kit

**POULAN CHAIN SAW – PARTS LIST**

**MODEL 245A**

**FIG. 4**



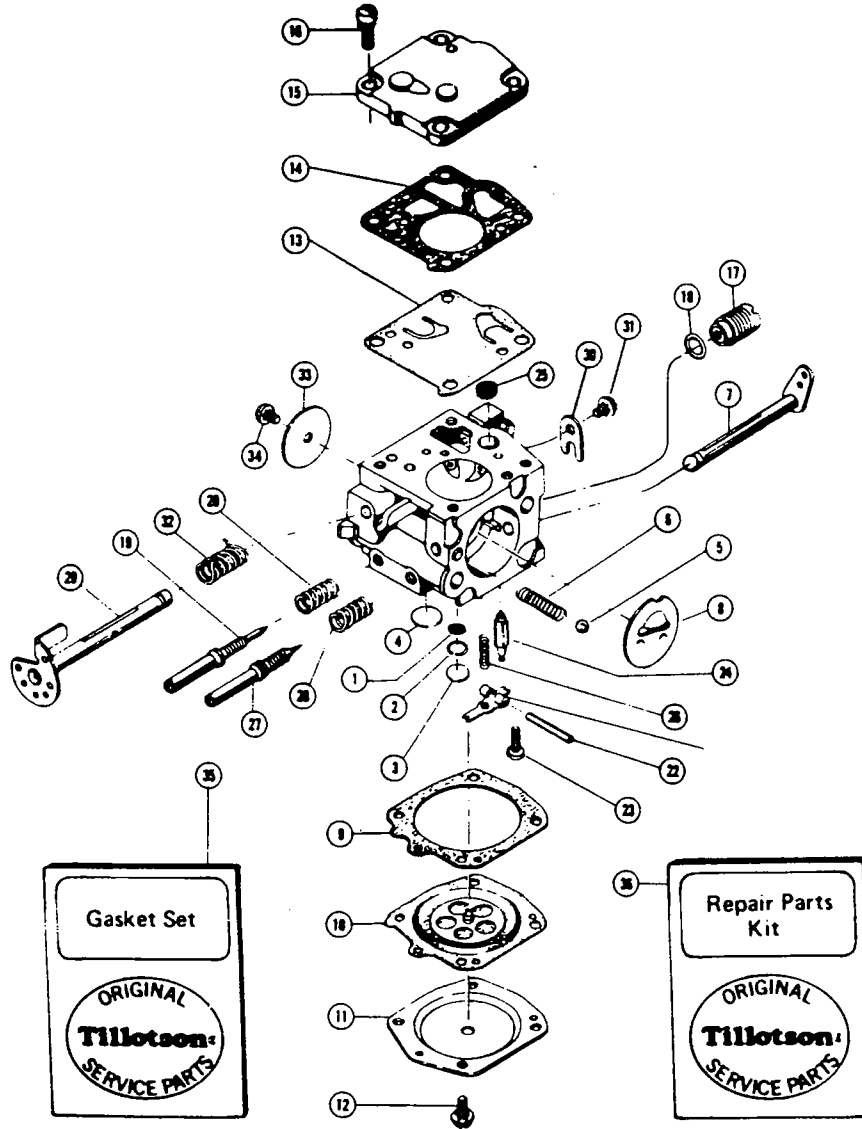
Ref. No.	Part No.	Qty. Req.	Description	Ref. No.	Part No.	Qty. Req.	Description	Ref. No.	Part No.	Qty. Req.	Description
1	1648	1	Screw - Handlebar Mount	35	23079	1	Gear - Automatic Oiler	63	15047	1	Thrust Washer - Black
4	15062	2	Screw - Handlebar Mount	36	1721	2	Nut - Guide Mount	64	2602	1	Plate - Inner Guide Bar
5	23148	1	Valve - Intake	37	1717	2	Washer - Guide Mount	69	15061	1	Washer - Auto. Oiler
6	2590	1	Hose - Valve Intake	38	1684	2	Bolt - Guide Mount	70	10051	1	Handlebar (Model 245A)
7	2589	1	Oil Pick-Up Weight	39	23077	1	Check Valve - Exhaust	71	23317	1	Decal (Model 245A)
8	19011	1	Gasket - Pump Housing	40	15041	1	Screw - Cover to Oil Tank	75	44097	1	16" SNR Bar
9	11022	1	Pump	41	15108	1	Cotter Pin - Vent	76	51155	1	Chain P760-60
10	15114	2	Screw - Pump Mount	42	10031	1	Oil Tank Assembly - Includes: Guide Bar Bolts				
11	1699	1	Spring - Oil Pump	43	11028	1	Cover - Automatic Oiler				
12	23069	1	Plunger - Oil Pump	44	15036	1	Screw - Automatic Oiler				
13	23071	1	Rod - Plunger	45	19035	1	Seal - Automatic Oiler				
14	19029	1	Quad Ring - Plunger	46	625509	2	Screw - Automatic Oiler				
15	23073	1	Cap - Oil Pump	47	11107	1	Bar Clamp				
16	23874	1	Plug - Oil Tank	48	2378	1	Spur - Optional				
17	1949	1	O'Ring - Oil Tank	49	1725	2	Nut - Spur Mount				
18	11021	1	Cover - Oil Tank	50	15045	2	Screw - Spur Mount				
19	19021	1	Gasket - Oil Tank Boss				Optional				
20	19009	1	Gasket - Oil Tank	51	31062	1	Screw - Spur Mount				
22	625506	1	Screw	52	15061	1	Optional				
23	15064	1	Nut - Pin Bar Adjustment	53	23472	1	Washer - Auto Oiler				
24	15024	1	Screw - Bar Adjustment	55	22089	1	Washer - Clutch				
25	23064	1	Pin - Bar Adjustment	56	23473	3	Solder - Clutch				
26	15036	3	Screw - Oil Tank - Short	57	15056	1	Spring - Clutch				
27	23008	1	Disc - Automatic Oiler	58	23469	3	Thrust Washer - Silver				
29	19025	1	Quad Ring - Auto. Oiler	59	2603	1	Shoe - Clutch				
31	23181	1	Spring - Automatic Oiler	60	10007	1	Plate - Outer Guide Bar				
32	23007	1	Piston - Automatic Oiler	61	32003	1	Drum - Clutch				
33	10019	1	Lever Rivet Assembly	62	32002	1	Race - Clutch Drum				
34	23078	1	Cam - Automatic Oiling				Bearing - Clutch				

\*Indicates Contents of Gasket Kit

**POULAN CHAIN SAW – PARTS LIST  
CARBURETOR PARTS LIST**

**MODEL 245A**

**MODEL 34016 FIG. 5**



Ref. No.	Part No.	Qty. Req.	Description	Ref. No.	Part No.	Qty. Req.	Description
1	3761	1	Body Channel Screen	19	3775	1	*Idle Mixture Screw
2	3762	1	Body Channel Screen Ret. Ring	20	3429	1	*Idle Mixture Screw Spring
3	3763	1	*Body Channel Welch Plug (Small)	21	3776	1	*Inlet Control Lever
4	3764	1	*Body Channel Welch Plug (Large)	22	3777	1	*Inlet Pinion Pin
5	3765	1	Choke Friction Ball	23	34019	1	*Inlet Pinion Pin Ret. Screw
6	3424	1	Choke Friction Spring	24	3779	1	*Inlet Needle
7	3766	1	Choke Shaft & Lever	25	3780	1	*Inlet Screen
8	3767	1	Choke Shutter	26	3727	1	*Inlet Tension Spring
9	3768	1	Diaphragm Gasket	27	3781	1	*High Speed Mixture Screw
10	3769	1	*Diaphragm	28	3429	1	*High Speed Mixture Screw Spring
11	3770	1	Diaphragm Cover	29	34021	1	Throttle Shaft & Lever
12	3717	4	Diaphragm Cover Screw & Lockwasher	30	3783	1	Throttle Shaft Clip
13	3771	1	*Fuel Pump Diaphragm	31	3784	1	Throttle Shaft Clip Ret. Screw
14	3772	1	Fuel Pump Gasket	32	3785	1	*Throttle Shaft Return Spring
15	3773	1	Fuel Pump Cover	33	3786	1	Throttle Shutter
16	3774	4	Fuel Pump Cover Ret. Screw & Lockwasher	34	3784	1	*Throttle Shutter Screw & Lockwasher
17	34095	1	Governor Valve Assembly	35	34022	1	*Gasket Set
18	34024	1	Governor Valve Assembly Gasket	36	34023	1	Repair Parts Kit

(\*) Indicates contents of Repair Parts Kit.