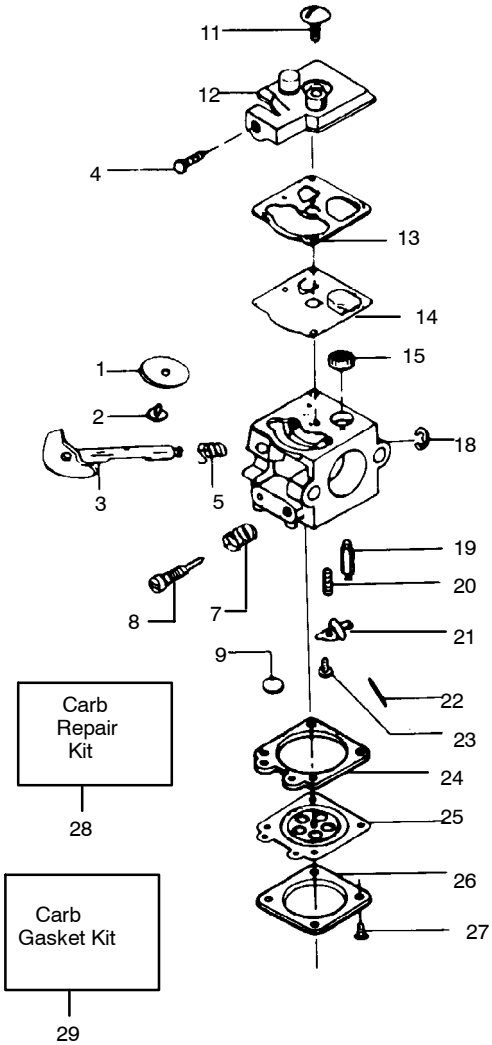
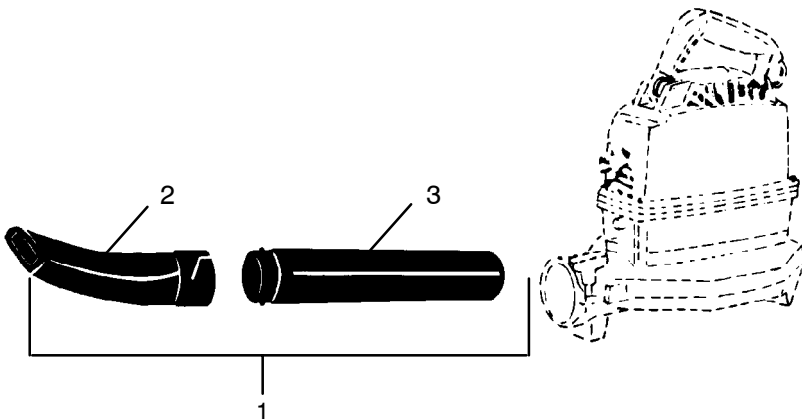


A. Carburetor Assembly

⚠ WARNING
All repairs, adjustments and maintenance not described in the Operator's Manual must be performed by qualified service personnel.

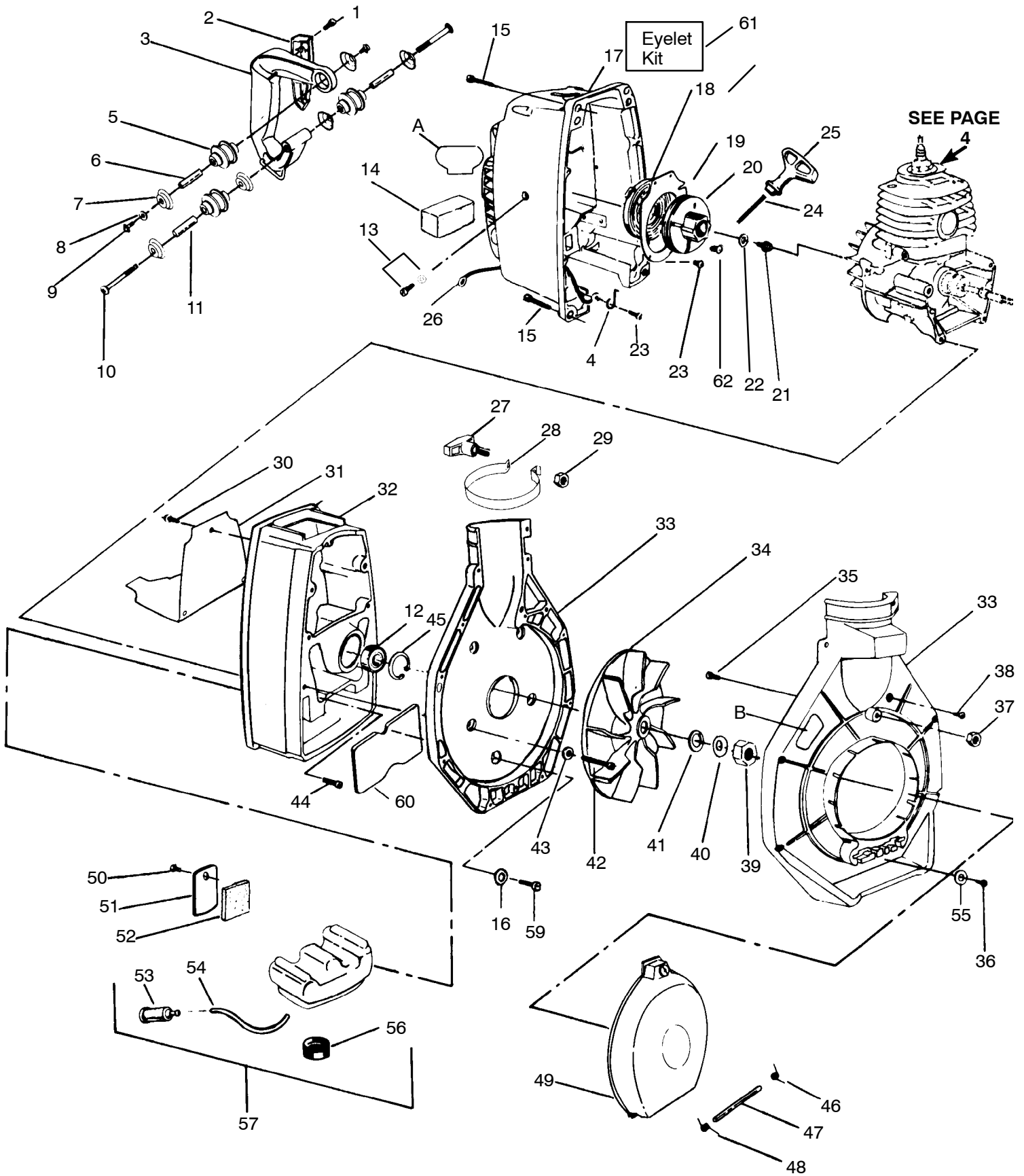


KEY NO.	PART NO.	DESCRIPTION
1	530-035197	Valve Throttle
2	530-035015	Screw-Throttle Valve
3	530-035132	Shaft Ass'y.-Throttle
4	530-035156	Idle Speed Screw
5	530-035138	Spring-Throttle Return
7	530-035200	Spring-High Speed Mixture Needle
8	530-035198	Needle-High Speed Mixture
9	530-035162	* Plug-5/16 Dia. Welch
11	530-035017	Screw-Pump Cover
12	530-035191	Cover-Fuel Pump
13	530-035164	+* Gasket-Fuel Pump
14	530-035166	+* Diaphragm-Fuel Pump
15	530-035178	Screen-Fuel Inlet
18	530-035007	Ring-Throttle Retainer
19	530-035106	* Valve-Inlet Needle
20	530-035139	* Spring-Metering Lever
21	530-035031	* Lever-Metering
22	530-035028	* Pin-Metering Lever
23	530-035016	* Screw-Metering Lever Pin
24	530-035151	+* Gasket-Metering Diaphragm
25	530-035014	+* Diaphragm-Metering
26	530-035003	Cover-Metering Diaphragm
27	530-035021	Screw Ass'y.-Metering Cover
28	530-035199	Kit-Carb. Kwik Repair (+Indicate Contents)
29	530-035186	Kit-Carb. Gasket/Diaphragm (*Indicates Contents)



KEY NO.	PART NO.	DESCRIPTION
1	530-069271	Blower Tube Kit (Incl. # 1 & 2)
2	530-094225	Blower Nozzle
3	530-094224	Blower Tube
Not Shown	-	Operator's Manual
	530-067041	Model 920
	530-067043	Model 925
	530-066589	Model 940
	530-066707	Model 960

[Order Weed Eater blower parts on eBay](#)

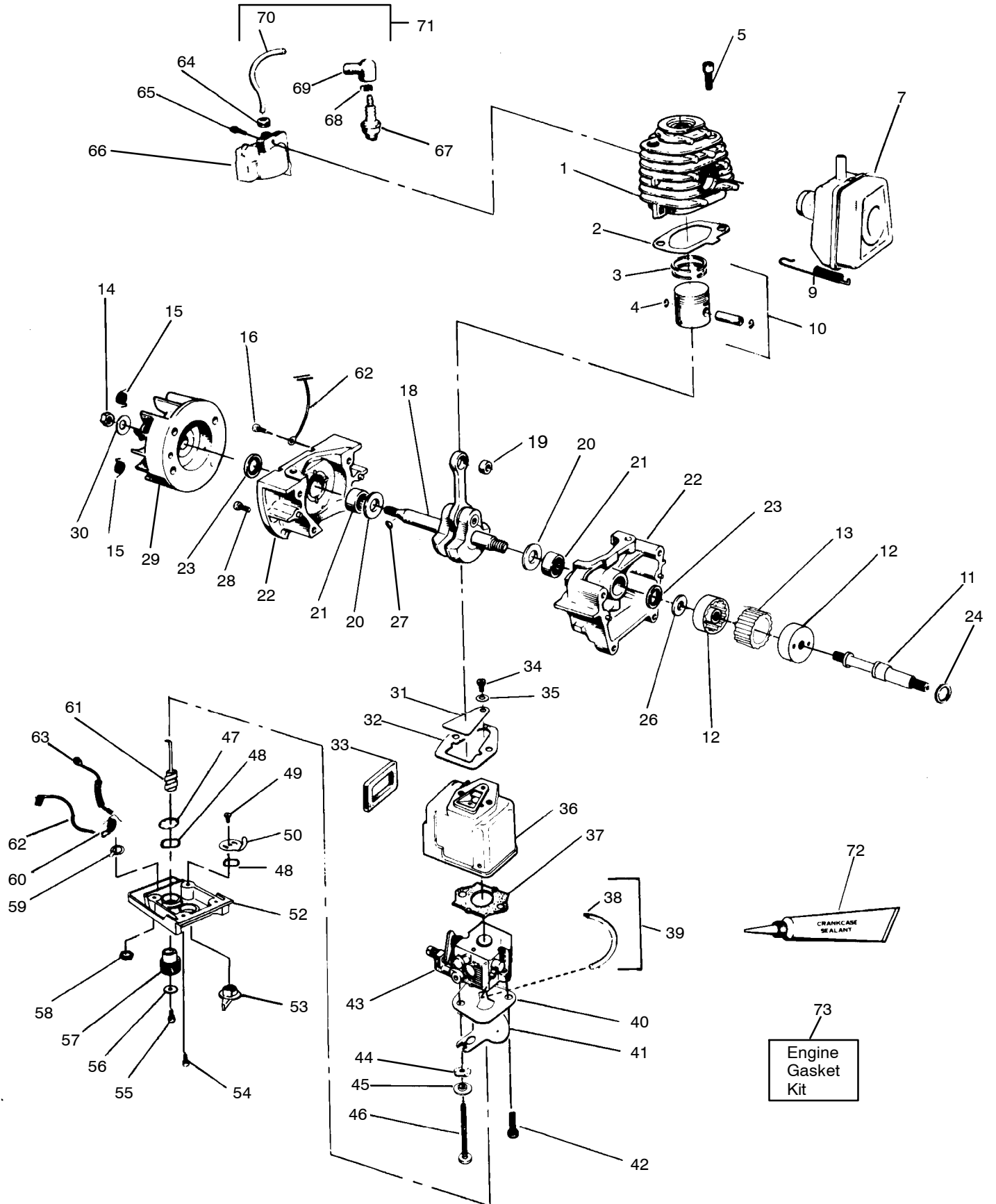


PARTS LIST NO. 530-066595-10/31/95		WEED EATER® PARTS LIST	BLOWER MODEL: 940 BLOWER/VAC MODEL: 920,925 & 960
Page No.3	Replaces 530-066595-3/31/89		Note: Illustrations may differ from actual models due to design changes

KEY NO.	PART NO.	DESCRIPTION	KEY NO.	PART NO.	DESCRIPTION
1	530-015635	Screw	34	530-094215	Impeller
2	530-094212	Handle Cover	35	530-015661	Screw
3	530-010827	Handle Ass'y.	36	530-015495	Screw
4	530-027157	Static Ground Wire Model 920,925 & 960	37	530-001543	Nut
5	530-026994	Handle Isolator	38	530-015367	Screw
6	530-015343	Isolator Spacer (Front)	39	530-015644	Nut
7	530-026163	Isolator Cup	40	530-015441	Washer
8	530-015629	Washer	41	530-347987	Washer
9	530-015628	Screw	42	530-015632	Screw
10	530-015561	Screw	43	530-015682	Washer
11	530-015342	Isolator Spacer (Rear)	44	530-015168	Screw
12	530-032091	Ball Bearing (Shroud) See Service Ref. 1	45	530-001516	Shroud Bearing Retainer
13	530-015700	Screw	46	530-015667	Spring-Tension (Right)
14	* 530-024371	Air Filter	47	530-015647	Pivot Pin
15	530-015687	Screw	48	530-015672	Spring-Tension (Left)
16	530-015123	Washer	49	530-094241	Inlet Door Ass'y.
17	530-010860	Fan Housing	50	530-015638	Screw
18	530-042023	Starter Pulley Spring	51	530-015637	Fuel Tank Retainer
19	530-026780	Air Baffle	52	530-026781	Fuel Tank Cushion
20	☆☆☆☆☆	Starter Pulley- See Service Ref. 3	53	530-010897	Fuel Pick-Up Ass'y
21	530-015479	Screw	54	530-069247	Line Kit
22	530-015123	Washer	55	530-015382	Washer
23	530-015544	Screw	56	530-010729	Fuel Cap Ass'y. (Incl. O-Ring)
24	530-069232	Rope Kit	57	530-010815	Fuel Tank Ass'y. (Incl. #53,54 & 56)
25	530-026735	Starter Rope Handle	59	530-015683	Screw
26	530-027175	Ground Wire Model 920,925 & 960	60	530-027350	Fuel Tank Shield
27	530-069252	"T" Handle Kit	61	530-069235	Eyelet Kit
28	530-094222	Blower Tube Clamp	62	530-015823	Screw (Incl. In Starter Pulley Kit)
29	530-015197	Nut			
30	530-015636	Screw			
31	530-026776	Heat Deflector	A	530-026938	Instruction Decal
32	530-010824	Shroud (Incl. #12 & 45)	B	530-026925	Blower/Vac Warning Decal
33	530-069269	Blower Hsg. Ass'y. (Incl. #36,46-49 & 55, this page and Key No. 5 on page 6)			

* When removing or installing the bearing (#530-032091), the area of the shroud (#530-010824) receiving the bearing must be heated to approximately 300_F. to avoid damaging the shroud.

[Order Weed Eater blower parts on eBay](#)



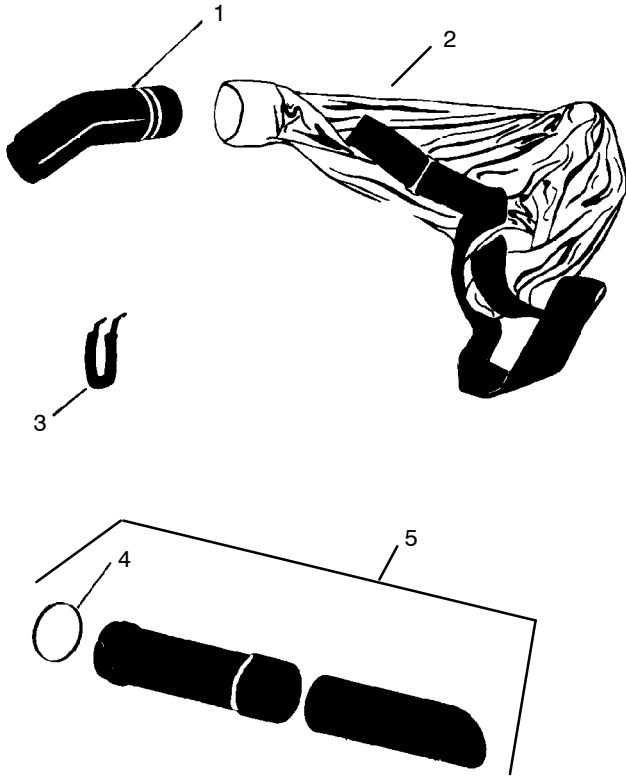
PARTS LIST NO. 530-066595-10/31/95		WEED EATER® PARTS LIST	BLOWER MODEL: 940 BLOWER/VAC MODEL: 920,925 & 960
Page No.5	Replaces 530-066595-3/31/89		

KEY NO.	PART NO.	DESCRIPTION	KEY NO.	PART NO.	DESCRIPTION
1	-	Cylinder	36	530-026818	Carburetor Case
	530-012168	Model 920 & 925	37	* 530-019157	Carburetor Gasket
	530-012192	Model 940 & 960	38	530-026981	Fuel Line Fitting
2	530-019111	Cylinder Gasket	39	530-010875	Fuel Line & Fitting Ass'y.
3	-	Piston Ring	40	530-026797	Choke Guide Plate
	530-026413	Model 920 & 925	41	530-026772	Choke Shutter
	530-026681	Model 940 & 960	42	530-015674	Screw
4	530-015162	Wrist Pin Retainer	43	530-035196	Carburetor
5	530-015239	Screw	44	530-015254	Wave Washer
7	☆☆☆☆☆	Muffler Ass'y. - See Service Ref. 2	45	530-015673	Spacer
9	530-024903	Muffler Attachment Spring	46	530-015630	Screw
10	-	Piston Kit (Incl. #3,4 & Pin)	47	530-015654	Retaining Ring
	530-010753	Model 920 & 925	48	530-015147	Wave Washer
	530-069203	Model 940 & 960	49	530-015407	Screw
11	530-069242	Shaft Kit	50	530-026773	Choke Actuator
12	530-012145	Shaft Coupling	52	530-026764	Carb. Case Cover
13	530-094243	Plastic Coupling	53	530-023807	Choke Knob
14	530-626605	Flywheel Nut	54	530-015675	Screw
15	530-023817	Starter Dog Spring	55	530-015660	Screw
16	530-015004	Screw	56	530-015123	Washer
18	-	Crankshaft & Rod Ass'y.	57	530-015614	Throttle Knob
	530-027273	Model 920 & 925	58	530-023575	Grounding Switch Nut
	530-010853	Model 940 & 960	59	530-024569	Washer
19	530-032092	Piston Pin Bearing	60	530-069204	Toggle Switch Kit (Incl. #58 & 59)
		Model 940 & 960 Only	61	530-026771	Throttle Wire Ass'y.
20	530-015351	Washer	62	530-026951	Ignition Wire
21	530-032029	Crankshaft Bearing	63	530-026829	Ground Wire
22	530-010757	Crankcase Ass'y. (Incl. #21,23 & 28)	64	530-024435	Plug Wire Grommet
23	* 530-019059	Crankcase Seal	65	530-015128	Screw
24	530-015763	Washer	66	530-039124	Ignition Module
26	530-001717	Coupling Washer	67	530-030005	Spark Plug (CJ-8)
27	530-015126	Flywheel Key	68	530-003933	Spark Plug Lead Connector
28	530-015168	Screw	69	530-003934	Spark Plug Boot
29	530-039111	Flywheel Ass'y.	70	530-039082	High Tension Lead Wire
30	530-015127	Flywheel Washer	71	530-039103	High Tension Lead Ass'y. (Incl. #68,69 & 70)
31	530-024438	Reed Valve	72	530-030054	Crankcase Sealant (Not Supplied With Unit)
32	* 530-019108	Carburetor Case to Crankcase Gasket	73	530-069219	Engine Gasket Kit (*Indicates Contents)
33	* 530-019105	Carburetor Case Seal			
34	530-015241	Screw			
35	530-023367	Washer			

*Indicates Engine Gasket Kit Contents

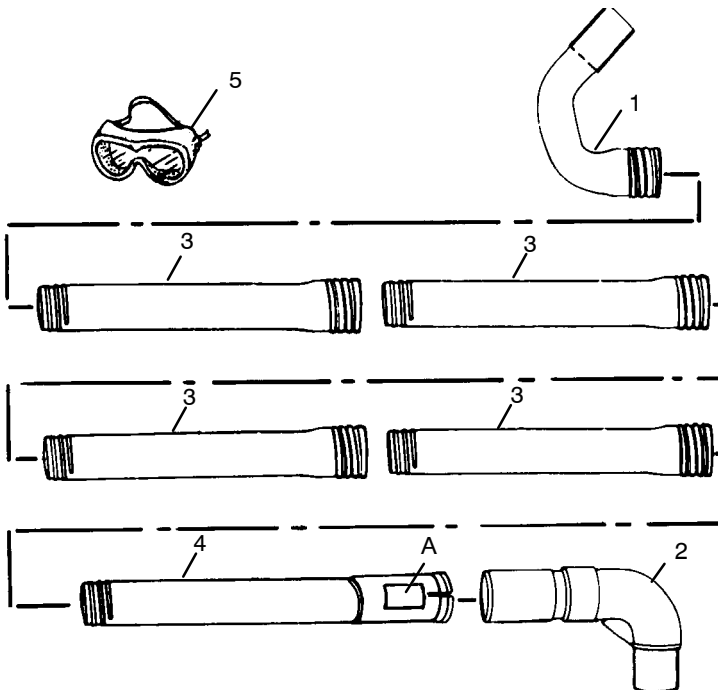
[Order Weed Eater blower parts on eBay](#)

VAC ATTACHMENT KIT #952-711500



KEY NO.	PART NO.	DESCRIPTION
1	530-094654	Elbow
2	530-069272	Vacuum Bag Kit (Incl. #1)
3	530-010850	Rear Handle Ass'y.
4	530-094660	Spacer
5	530-069270	Vacuum Tube Kit (Incl. #4)

GUTTER ATTACHMENT KIT #952-701586



KEY NO.	PART NO.	DESCRIPTION
1	530-094426	Nozzle
2	530-094518	Elbow
3	530-094425	Extension Tube
4	530-094424	Pivot Tube
5	952-062003	Goggles
A	530-027215	Warning Decal

[Order Weed Eater blower parts on eBay](https://www.ebay.com/str/weedeaterparts)

PARTS LIST NO. 530-066595-10/31/95		WEED EATER® PARTS LIST	BLOWER MODEL: 940 BLOWER/VAC MODEL: 920,925 & 960
Page No.7	Replaces 530-066595-3/31/89		

SERVICE REFERENCE

1. Bearing - Shroud - Page 3

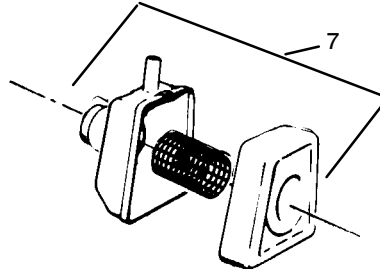
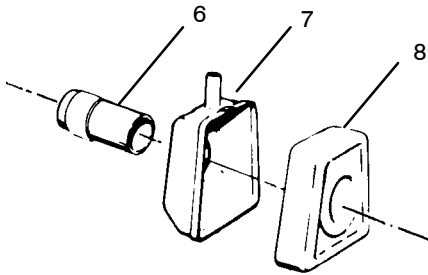
When removing or installing the bearing, Key No. 12 (530-032091), the area of the shroud, Key No. 32 (530-010824) receiving the bearing must be heated to approximately 300 F. to avoid damaging the shroud.

2. Muffler Assembly

To replace your muffler note the drawings below and order accordingly.

If your unit has a separate diffuser, order parts as noted.

Order the Muffler Kit for the built-in diffuser as shown.

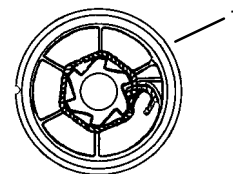
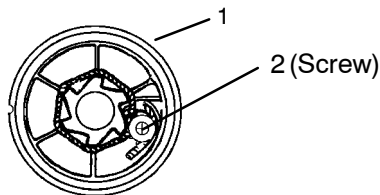


Key No.	Part No.	Description
6	530-026949	Muffler Diffuser
7	530-010809	Muffler Body
8	530-024361	Muffler Cover

Key No.	Part No.	Description
7	530-069245	Muffler Ass'y.

3. Starter Pulley

When replacing the Starter Pulley refer to the illustrations below and order accordingly.



Key No.	Part Number	Description
1	530-069288	Starter Pulley Kit (Incl. #2)
2	530-015823	Screw

Key No.	Part Number	Description
1	530-069200	Pulley Re- place- ment Kit

[Order Weed Eater blower parts on eBay](#)