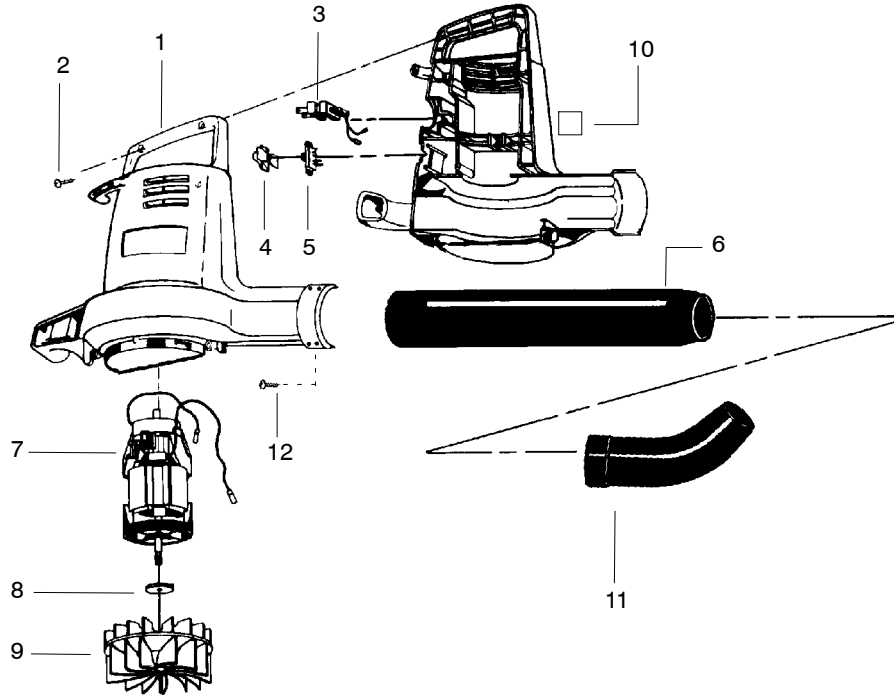


**⚠ WARNING**  
All repairs, adjustments and maintenance not described in the Operator's Manual must be performed by qualified service personnel.

Model  
**2510**



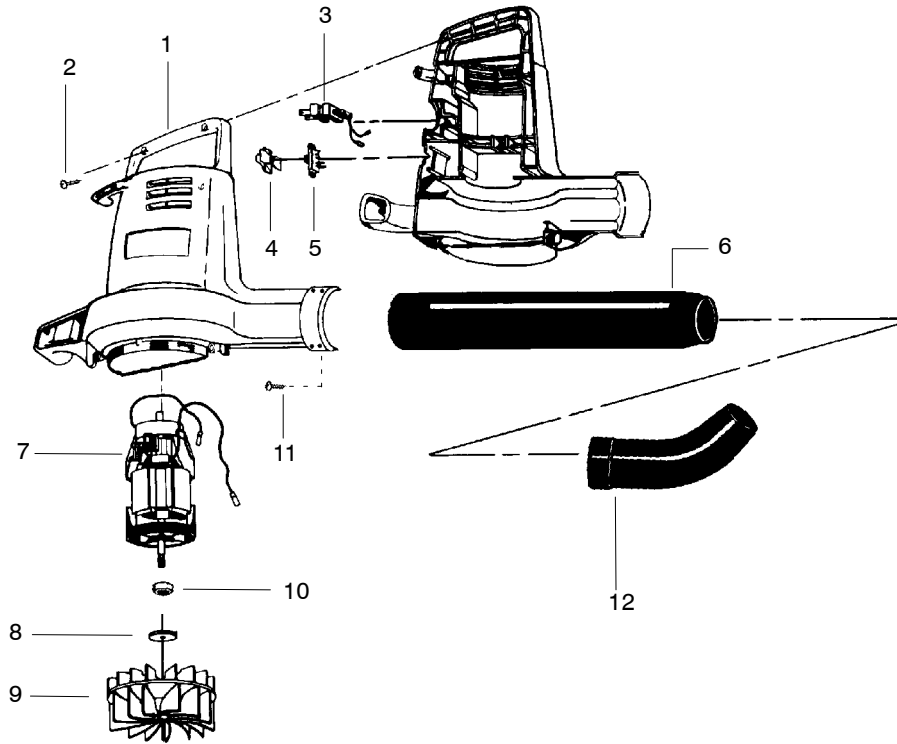
Ref.	Part No.	Description	Ref.	Part No.	Description	Ref.	Part No.	Description
1.	---	Housing Set	6.	---	Blower Tube	12.	530015994	Screw (Type 2 & 3)
	530351450	Type 1		530036434	Type1			
	530401898	Type 2		530401884	Type 2 & 3			
	530403264	Type 3	7.	---	Motor Ass'y.			Not Shown
2.	530016317	Screw		530351460	Type 1 & 2			
3.	---	Wire Harness (Incls. Switch)		530403267	Type 3	✓	530163993	Operator Manual
	530401842	Type 1 & 2	8.	530400897	Washer		530402541	Warning Decal
	530403269	Type 3	9.	530351451	Impeller			
4.	530401008	Switch Cover	10.	530400089	Pad (Type 1 & 2)			
5.	530351456	Switch	11.	---	Concentrator Nozzle			
				530351455	Type 1			
				530403682	Type 2 & 3 (incl. #6)			

✓ = NEW PART NUMBER FOR THIS IPL

\* = REFER TO THE SERVICE REFERENCE INDICATED FOR MORE INFORMATION. (LOCATED AT END OF IPL)

Model  
**2525**

**⚠ WARNING**  
All repairs, adjustments and maintenance not described in the Operator's Manual must be performed by qualified service personnel.



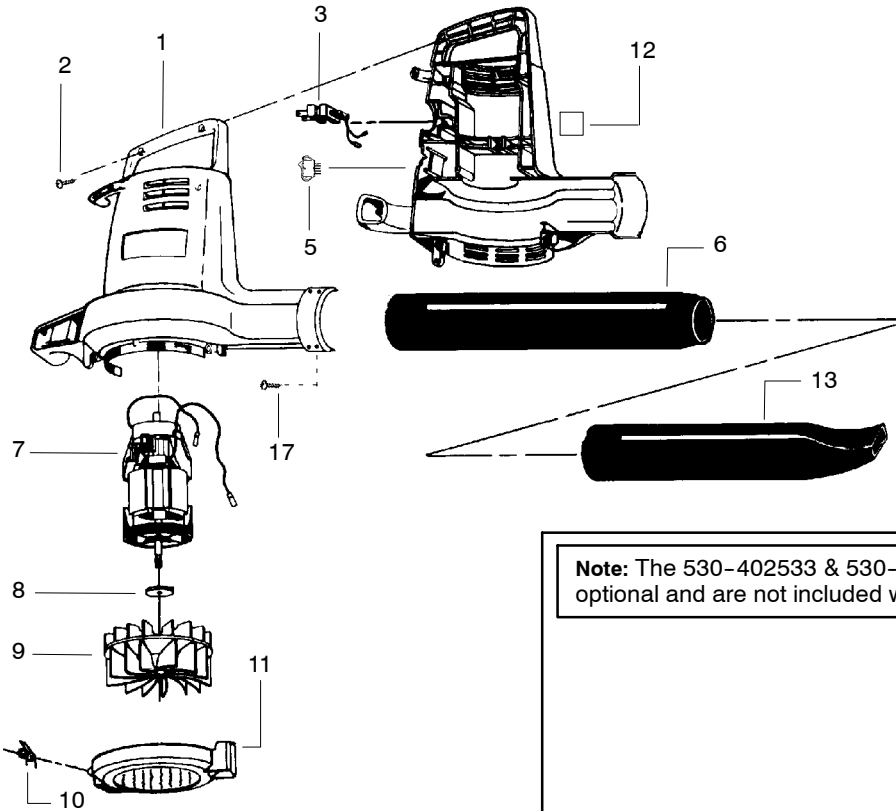
Ref.	Part No.	Description	Ref.	Part No.	Description	Ref.	Part No.	Description
1.	530403264	Housing Set	6.	530401884	Blower Tube	11.	530015994	Screw
2.	530016317	Screw	7.	---	Motor Ass'y.	12.	530403682	Nozzle (incl. #6)
3.	530403269	Wire Harness (Incls. Switch)	↙	530404105	(Type 1)			Not Shown
4.	530401008	Switch Cover	↙	530403267	(Type 2)	↙	530163993	Operator Manual
5.	530351456	Switch	8.	530400897	Washer		530402541	Warning Decal
			9.	530351451	Impeller			
			10.	530404164	Spacer (type 2 only)			

↙ = NEW PART NUMBER FOR THIS IPL

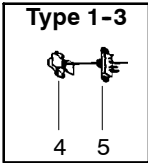
\* = REFER TO THE SERVICE REFERENCE INDICATED FOR MORE INFORMATION. (LOCATED AT END OF IPL)

**⚠ WARNING**  
All repairs, adjustments and maintenance not described in the Operator's Manual must be performed by qualified service personnel.

Model  
**2540**



**Note:** The 530-402533 & 530-402499 kits are optional and are not included with the unit.



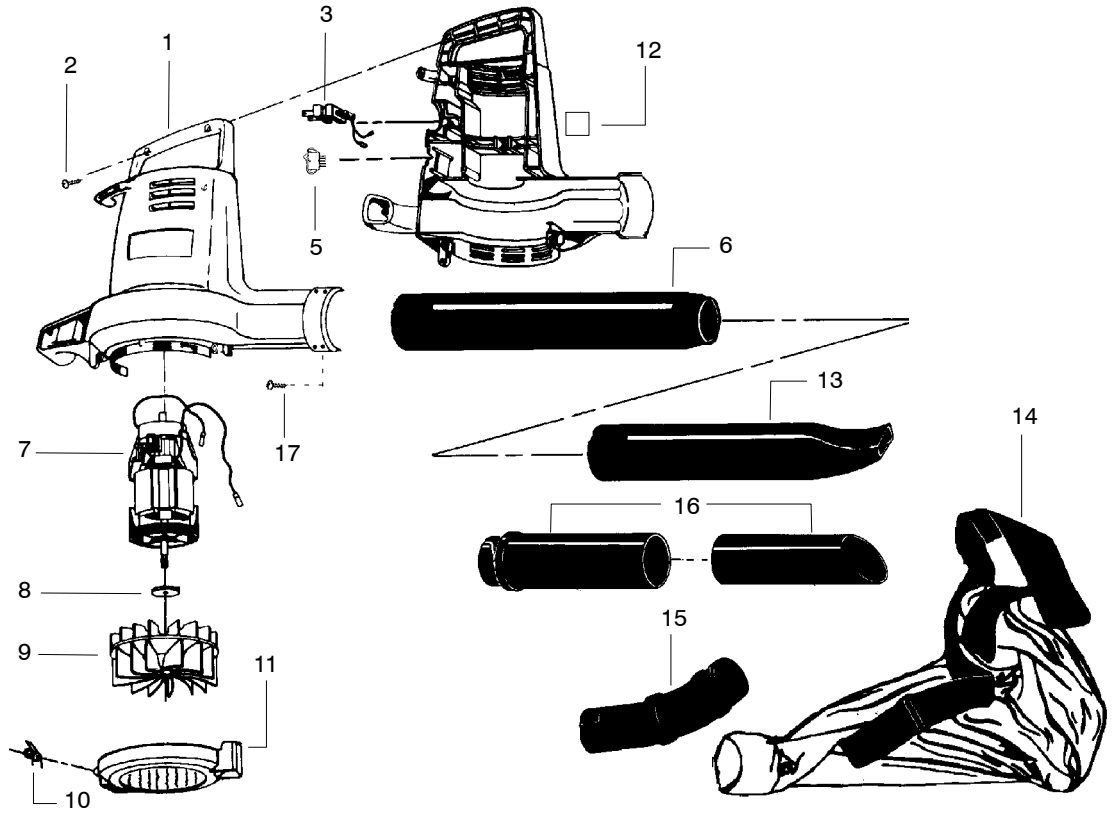
Ref.	Part No.	Description	Ref.	Part No.	Description	Ref.	Part No.	Description
1.	-	Housing Set	6.	-	Blower Tube	14.	---	Vacuum Tube Kit
	530351400	Type 1		530036434	Type1		530069270	Type 1
	530402169	Type 2		534352705	Type 2,3,4		530402499	Type 2,3,4
	530402773	Type 3	7.	-	Motor Ass'y.	15.	---	Kit- Vac Bag
	530404049	Type 4		530351439	Type 1 & 2		530095114	Type 1
2.	530016317	Screw		530403312	Type 3,4		530402533	Type 2,3,4
3.	---	Wire Harness (Incls. Switch )	8.	530400897	Washer	16.	530095118	Elbow (Type 1 only)
	530401846	Type 1 & 2	9.	-	Impeller	17.	530015994	Screw
	530403778	Type 3		530037183	Type 1 & 2			
	530404162	Type 4		530401097	Type 3,4			
4.	530401008	Switch Cover (Type 1-3)	10.	530351417	Spring			
5.	---	Switch	11.	530403574	Assy-Cover Spring (incl. 10)			
	530351409	Type 1 & 2	12.	530400089	Pad (Type 1,2)			Not Shown
	530401094	Type 3	13.	-	Nozzle		530163993	Operator Manual
	530404190	Type 4		530094662	Type 1,		530402365	Warning Decal
				530036769	Type 2,3,4			

↖ = NEW PART NUMBER FOR THIS IPL

★ = REFER TO THE SERVICE REFERENCE INDICATED FOR MORE INFORMATION. (LOCATED AT END OF IPL)

Model  
**2560**

**⚠ WARNING**  
All repairs, adjustments and maintenance not described in the Operator's Manual must be performed by qualified service personnel.



Ref.	Part No.	Description	Ref.	Part No.	Description	Ref.	Part No.	Description
1.	-	Housing Set	6.	-	Blower Tube	14.	-	Vacuum Bag Kit
	530351400	Type 1		530036434	Type1		530095114	Type 1
	530402169	Type 2		534352705	Type 2,3,4		530402533	Type 2,3,4
	530402773	Type 3	7.	-	Motor Ass'y.	15.	530095118	Elbow (Type 1 only)
	530404049	Type 4		530351439	Type 1 & 2	16.	-	Vacuum Tube Kit
2.	530016317	Screw		530403312	Type 3,4		530069270	Type 1
3.	-	Wire Harness (Incls. Switch)	8.	530400897	Washer	17.	530402499	Type 2,3,4
	530401846	Type 1 & 2	9.	-	Impeller		530015994	Screw
	530403778	Type 3		530037183	Type 1 & 2			
	530404162	Type 4		530401097	Type 3,4			
4.	530401008	Switch Cover(Type 1-3)	10.	530351417	Spring			Not Shown
5.	-	Switch	11.	530403574	Assy-Cover Spring (incl. 10)			
	530351409	Type 1 & 2	12.	530400089	Pad (Type 1 & 2)			
	530401094	Type 3	13.	-	Nozzle		530163993	Operator Manual
	530404190	Type 4		530094662	Type 1		530402365	Warning Decal
				530036769	Type 2,3,4		530402500	Warning Decal

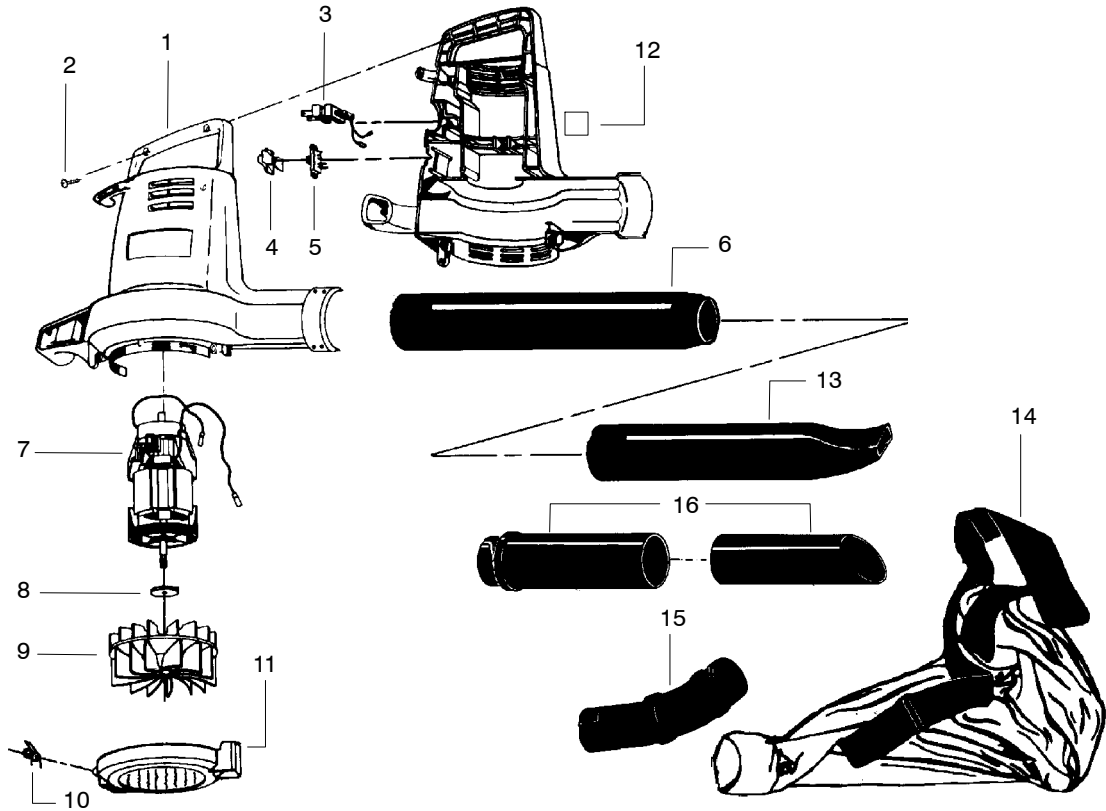
✓ = NEW PART NUMBER FOR THIS IPL

★ = REFER TO THE SERVICE REFERENCE INDICATED FOR MORE INFORMATION. (LOCATED AT END OF IPL)

Model  
**2565**

**⚠ WARNING**

All repairs, adjustments and maintenance not described in the Operator's Manual must be performed by qualified service personnel.



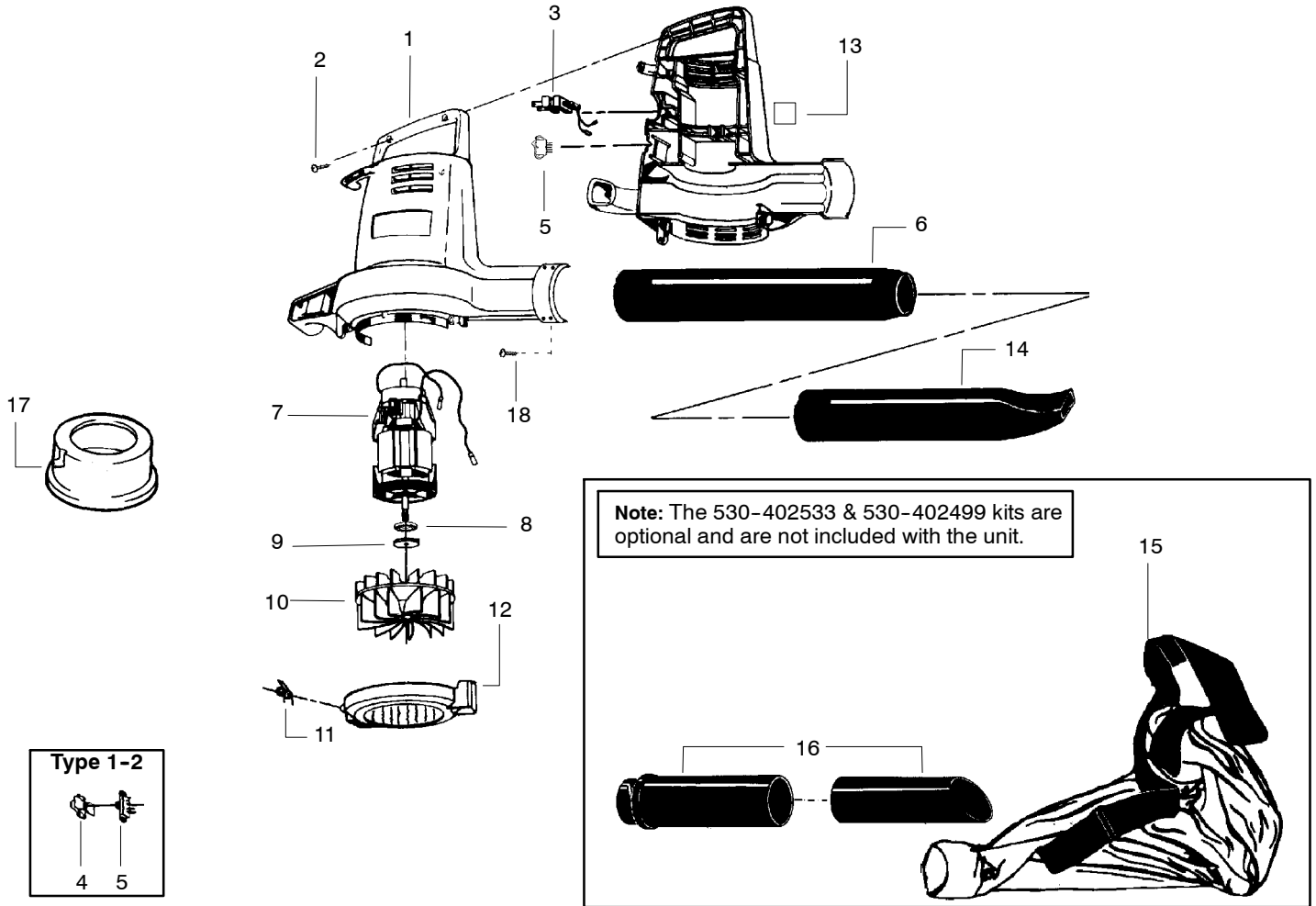
Ref.	Part No.	Description	Ref.	Part No.	Description	Ref.	Part No.	Description
1.	530351400	Housing Set	6.	530036434	Blower Tube	13.	530094662	Nozzle
2.	530016317	Screw	7.	530351439	Motor Ass'y.	14.	530095114	Vacuum Bag Kit
3.	530401846	Wire Harness (Incls. Switch)	8.	530400897	Washer	15.	530095118	Elbow
4.	530401008	Switch Cover	9.	530037183	Impeller	16.	530069270	Vacuum Tube Kit
5.	530351409	Switch	10.	530351417	Spring			
			11.	530402140	Inlet Cover			
			12.	530400089	Pad			
								Not Shown
							530087937	Operator Manual
							530036444	Warning Decal

✓ = NEW PART NUMBER FOR THIS IPL

\* = REFER TO THE SERVICE REFERENCE INDICATED FOR MORE INFORMATION. (LOCATED AT END OF IPL)

Model  
**2570**

**⚠ WARNING**  
All repairs, adjustments and maintenance not described in the Operator's Manual must be performed by qualified service personnel.



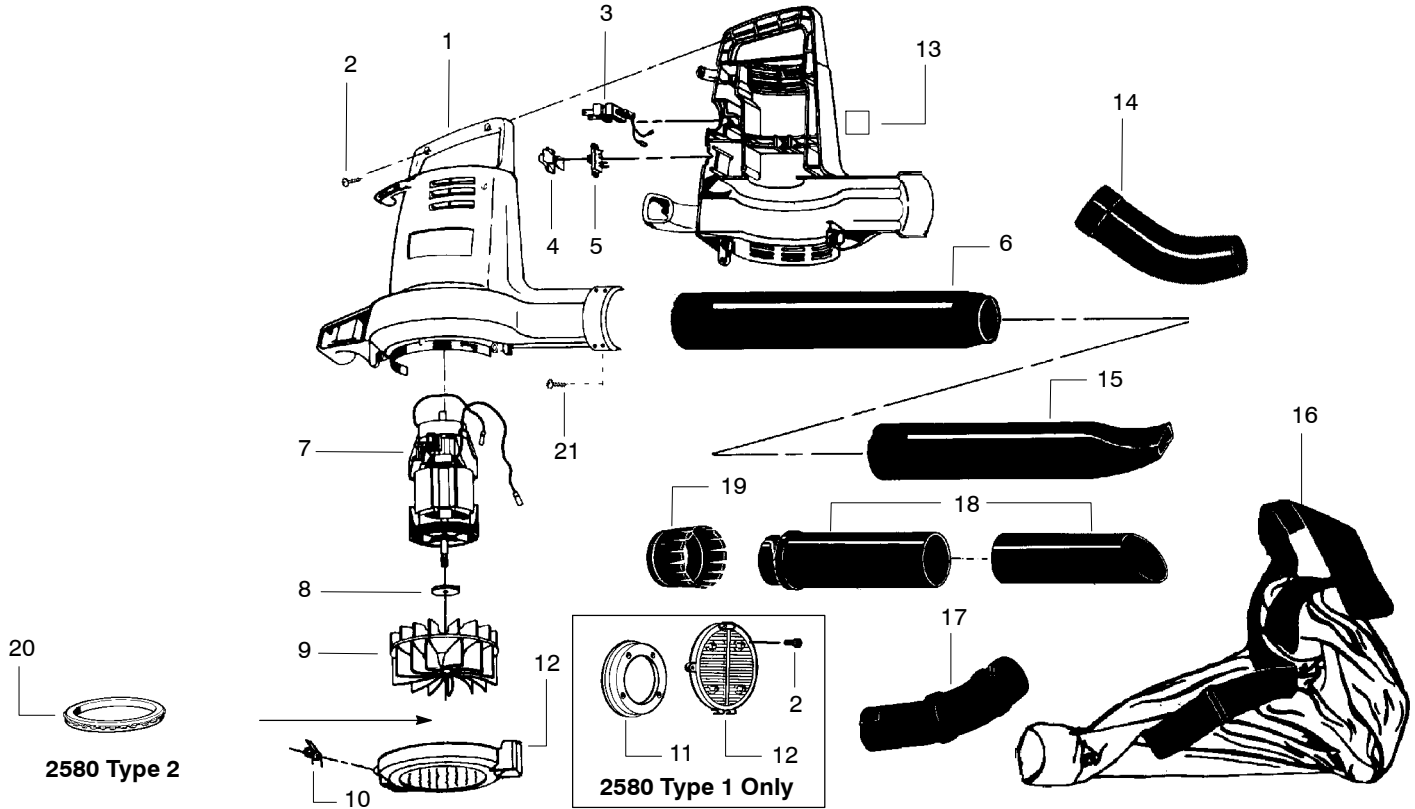
Ref.	Part No.	Description	Ref.	Part No.	Description	Ref.	Part No.	Description
1.	----	Housing Set	7.	---	Motor Ass'y.	16.	530402499	Vacuum Tube Kit
	530402773	(Type 1,2)		530402374	Type1	17.	530403791	Inlet Restrictor
✓	530404049	(Type 3)		530404106	Type 2,3	18.	530015994	Screw
2.	530016317	Screw	8.	530404165	Spacer (Type 2,3 only)			
3.	----	Wire Harness (Incls.	9.	530400897	Washer			
	530403778	(Type 1,2)	10.	530402719	Impeller			
✓	530404162	(Type 3)	11.	530351417	Spring			
4.	530401008	Switch Cover (Type 1,2)	12. ✓	530403574	Assy-Cover Spring			Not Shown
5.	----	Switch			(incl. 11)			
	530401094	(Type 1,2)	13.	530400089	Pad (Type 1,2)		530163993	Operator Manual
✓	530404190	(Type 3)	14.	530053890	Nozzle		530402500	Warning Decal
6.	534352705	Blower Tube	15.	530402533	Vacuum Bag Kit	✓	530402365	Warning Decal

✓ = NEW PART NUMBER FOR THIS IPL

★ = REFER TO THE SERVICE REFERENCE INDICATED FOR MORE INFORMATION. (LOCATED AT END OF IPL)

Model  
**2580**

**⚠ WARNING**  
All repairs, adjustments and maintenance not described in the Operator's Manual must be performed by qualified service personnel.



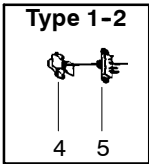
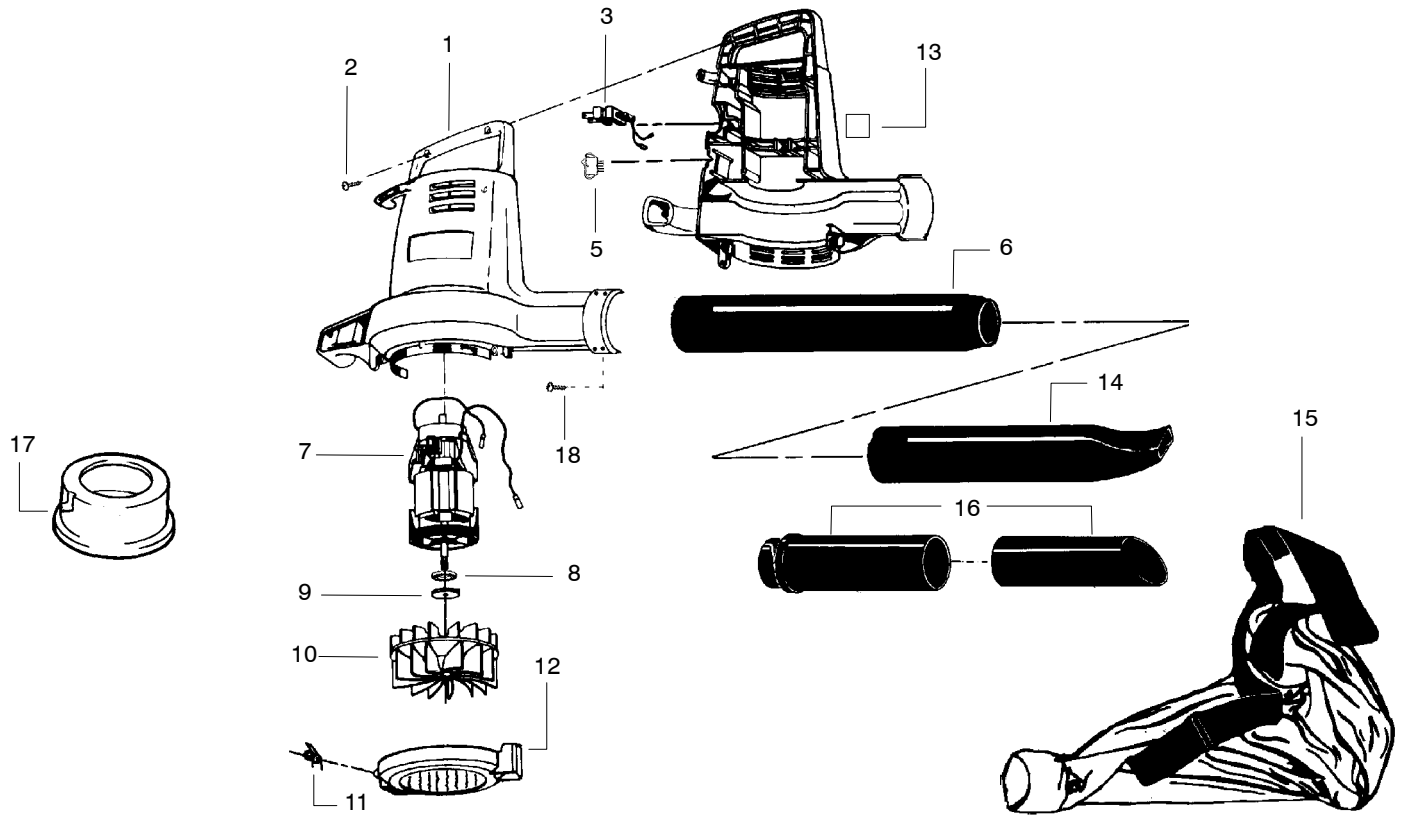
Ref.	Part No.	Description	Ref.	Part No.	Description	Ref.	Part No.	Description
1.	- 530401342 530401839	Housing Set Type 1, 2, 3 Type 4	7.	- 530400724 530401177	Motor Ass'y. 2580 Type 1 & 2 2580 Type 3 & 4	16.	- 530095114 530402533	Vacuum Bag Kit Type 1, 2 & 3 Type 4
2.	530016317	Screw	8.	530400897	Washer	17.	530095118	Elbow (Type 1,2,3)
3.	- 530401787 530403778	Wire Harness (Incls. Switch) Type 1 & 2 Type 3 & 4	9.	530401097	Impeller	18.	530069270	Vacuum Tube Kit
4.	530401008	Switch Cover	10.	530351417	Spring	19.	530401250	Funnel (Type 2)
5.	- 530400970 530401094	Switch Type 1 & 2 Type 3 & 4	11.	530400812	Inlet Baffle - Type 1	20.	530401248	Inlet Orifice (Type 2)
6.	- 530036434 534352705	Blower Tube Type 1-3 Type 4	12.	530402140	Inlet Cover	21.	530015994	Screw (Type 4)
			13.	530400089	Pad			Not Shown
			14.	- 530401100 530401318	Concentrator Nozzle Type 1, 2 & 3 Type 4			
			15.	- 530094662 530053890	Nozzle Type 1-3 Type 4		530087937 530036444	Operator Manual Warning Decal

✓ = NEW PART NUMBER FOR THIS IPL

★ = REFER TO THE SERVICE REFERENCE INDICATED FOR MORE INFORMATION. (LOCATED AT END OF IPL)

**⚠ WARNING**  
All repairs, adjustments and maintenance not described in the Operator's Manual must be performed by qualified service personnel.

Model  
**2595**



Ref.	Part No.	Description	Ref.	Part No.	Description	Ref.	Part No.	Description
1.	----	Housing Set	7.	---	Motor Ass'y.	17.	530403791	Inlet Restrictor
	530402773	(Type 1,2)		530402374	Type 1	18.	530015994	Screw
	530404049	(Type 3)		530404106	Type 2,3			
2.	530016317	Screw	8.	530404165	Spacer (Type 2,3 only)			
3.	----	Wire Harness (Incls. Switch)	9.	530400897	Washer			
	530403778	(Type 1,2)	10.	530402719	Impeller			
	530404162	(Type 3)	11.	530351417	Spring			
4.	530401008	Switch Cover (Type 1,2)	12.	530403574	Assy-Cover Spring (incl. 11)			Not Shown
5.	----	Switch	13.	530400089	Pad (Type 1 only)			
	530401094	(Type 1,2)	14.	530053890	Nozzle		530163993	Operator Manual
	530404190	(Type 3)	15.	530402533	Vacuum Bag Kit		530402500	Warning Decal
6.	534352705	Blower Tube	16.	530402499	Vacuum Tube Kit		530402365	Warning Decal

↙ = NEW PART NUMBER FOR THIS IPL

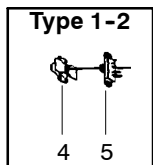
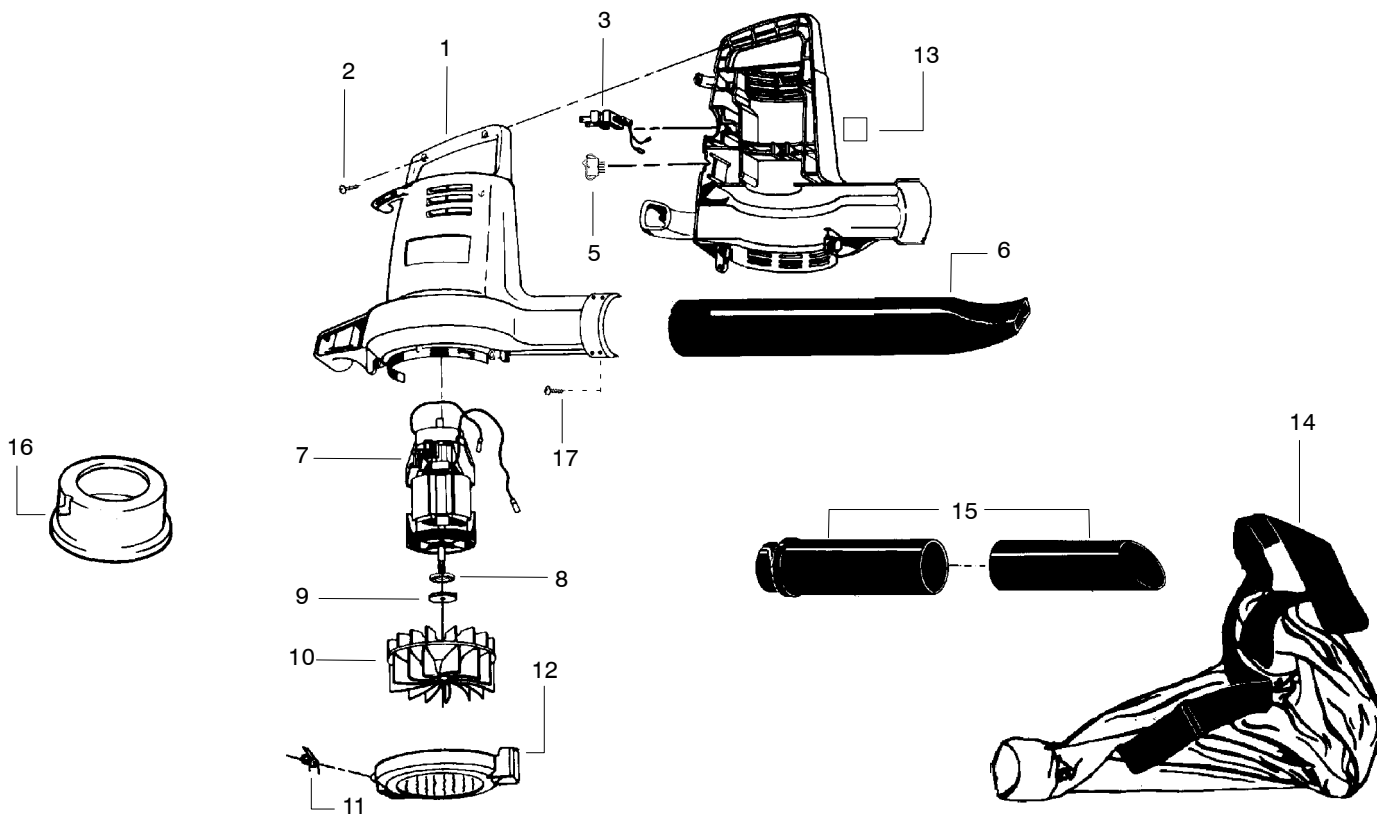
★ = REFER TO THE SERVICE REFERENCE INDICATED FOR MORE INFORMATION. (LOCATED AT END OF IPL)



## ⚠ WARNING

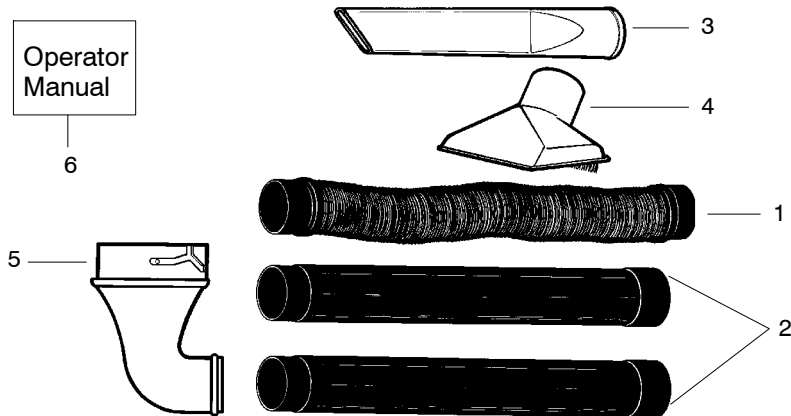
All repairs, adjustments and maintenance not described in the Operator's Manual must be performed by qualified service personnel.

Model  
**2695**

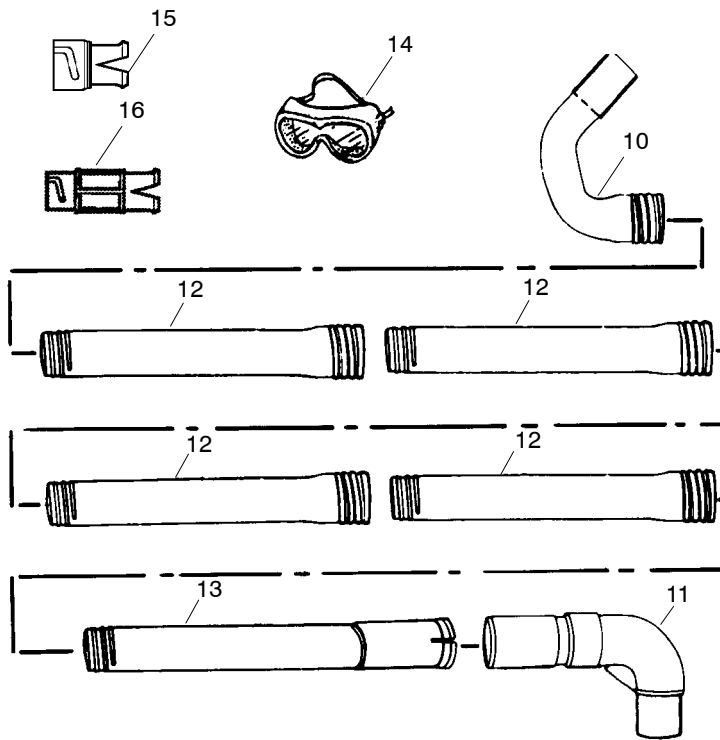


Ref.	Part No.	Description	Ref.	Part No.	Description	Ref.	Part No.	Description
1.	----	Housing Set (Type 1,2)	7.	---	Motor Ass'y.	15.	530402499	Vacuum Tube Kit
	530402773	(Type 1,2)		530402374	Type 1	16.	530403791	Inlet Restrictor
✓	530404049	(Type 3)		530404106	Type 2,3	17.	530015994	Screw
2.	530016317	Screw	8.	530404165	Spacer (Type 2,3 only)			Not Shown
3.	----	Wire Harness (Incls. Switch)	9.	530400897	Washer			
	530403778	(Type 1,2)	10.	530402719	Impeller			
✓	530404162	(Type 3)	11.	530351417	Spring			
4.	530401008	Switch Cover(Type 1,2)	12.	✓ 530403574	Assy-Cover Spring (incl. 11)			
5.	----	Switch	13.	530400089	Pad (Type 1 only)			
	530401094	(Type 1,2)	14.	530402533	Vacuum Bag Kit			
✓	530404190	(Type 3)					530163993	Operator Manual
6.	530403612	Blower (Tube w/Nozzle)					530402500	Warning Decal
							✓ 530402365	Warning Decal

**Flex Vac Kit #952701627 - Model 2565 Only (Optional for vac equipped units)**



Key No.	Part No.	Description
1	530094927	Flex Hose
2	530094928	Flex Tube
3	530094930	Crevice Tool
4	530094929	Floor Brush
5	530094923	Flex Adapter
6	530067824	Operator Manual



**Gutter Attachment Kit #952701696**

KEY NO.	PART NO.	DESCRIPTION
10	530094426	Nozzle
11	530094518	Elbow
12	530094425	Extension Tube
13	530094424	Pivot Tube
14	952701645	Goggles
15	530351416	Adapter For Electric Only
16	530094850	Adapter For Gas Units Only

✓ = NEW PART NUMBER FOR THIS IPL    ★ = REFER TO THE SERVICE REFERENCE INDICATED FOR MORE INFORMATION. (LOCATED AT END OF IPL)