

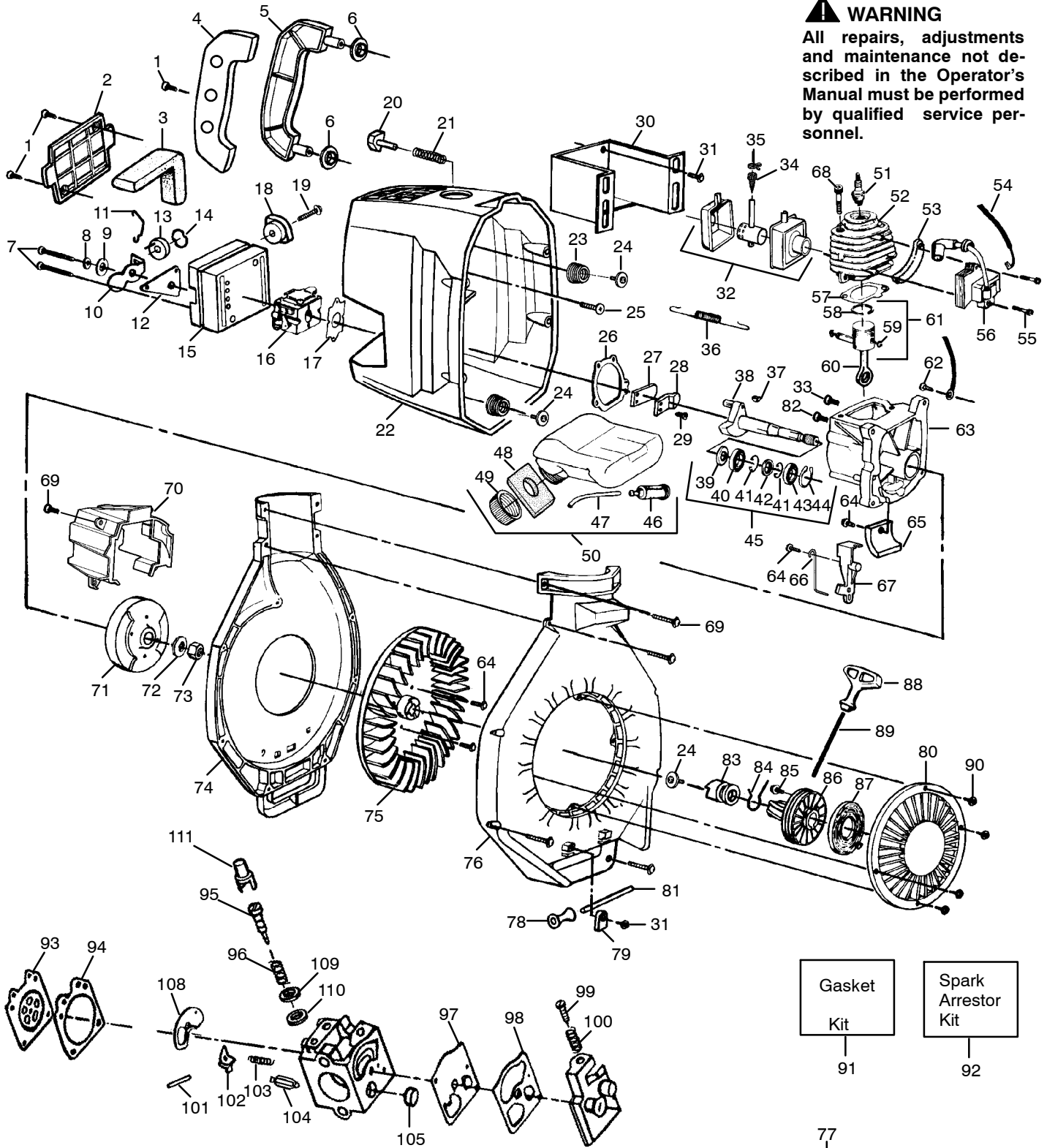
PARTS LIST NO. 530-067874 - 11/15/94	
PAGE NO. 1	REPLACES 530-067874-6/13/91

# WEED EATER® PARTS LIST

MODEL:  
GBI 20

Note: Illustrations may differ from actual models due to design changes

**⚠ WARNING**  
All repairs, adjustments and maintenance not described in the Operator's Manual must be performed by qualified service personnel.

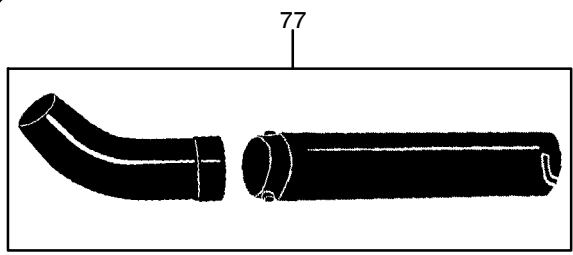


Gasket  
Kit  
91

Spark  
Arrestor  
Kit  
92

Carb.  
Repair  
Kit  
106

Carb.  
Gasket  
Kit  
107



PARTS LIST NO. 530-067874 - 11/15/94		<b>WEED EATER® PARTS LIST</b>	MODEL: GBI 20
PAGE NO. 2	REPLACES 530-067874-6/13/91		

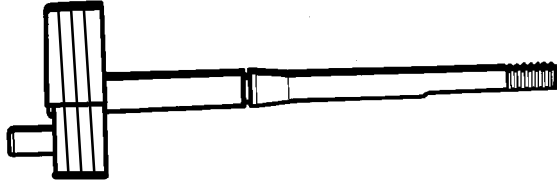
Key No.	Part No.	Description	Key No.	Part No.	Description
1	530-015635	Screw	60	530-014005	Piston Rod
2	530-029488	Air Filter Cover	61	530-069274	Piston Kit (Incl. 58, 59 & Pin)
3	530-029611	Air Filter	62	530-015775	Screw
4	530-029615	Handle Cover	63	530-014016	Crankcase Ass'y.
5	530-029614	Handle	64	530-015918	Screw
6	530-029608	Handle Isolator	65	530-029603	Isolator
7	530-015887	Screw	66	530-029613	Spring
8	530-015852	Choke Spacer	67	530-029601	Insulator
9	530-015254	Wave Washer	68	530-015239	Screw
10	530-029480	Choke Shutter	69	530-015872	Screw
11	530-029485	Throttle Wire	70	530-029433	Baffle
12	530-029481	Choke Mtg. Plate	71	530-039139	Flywheel
13	530-029486	Retainer	72	530-015149	Washer
14	530-015147	Wave Washer (Knob)	73	530-626605	Nut
15	530-029589	Air Box	74	530-029432	Blower Housing (Upper)
16	-	Carburetor	75	530-094865	Impeller
	✓ 530-035262	Type 1 (WA-207A)	76	530-014265	Blower Housing (Lower)
	✓ 530-069637	Type 2 (WA-217, w/ Limiter Cap #111)	77	530-038508	Blower Tube Kit
17	530-019164	Carburetor Gasket	78	530-029575	Roller
18	530-029484	Throttle Knob	79	530-027523	Retainer
19	530-015880	Screw	80	530-094867	Pulley Housing
20	530-029600	Button	81	530-015851	Roll Pin
21	✓ 530-029607	Spring	82	530-015772	Screw
22	530-037712	Shroud	83	530-029448	Pinion
23	530-029434	Spring	84	✓ 530-037716	Drag Element
24	530-015879	Screw	85	530-015882	Screw
25	530-015876	Screw	86	530-069306	Starter Pulley
26	530-019154	Gasket	87	530-027531	Starter Spring
27	530-027593	Reed Valve	88	530-027569	Starter Handle
28	✓ 530-029781	Reed Stop	89	530-069232	Rope Kit
29	530-016064	Screw	90	530-015886	Screw
30	530-029597	Heat Shield	91	530-069302	Gasket Kit
31	530-015805	Screw	92	530-069348	Spark Arrestor Kit
32	530-069293	Muffler	93	530-035014	*+ Metering Diaphragm
33	530-015771	Screw	94	530-035151	*+ Metering Diaphragm Gasket
34	530-029227	Spark Arrestor Screen	95	530-035212	Mixture Needle
35	530-029228	Spark Arrestor Clamp	96	530-035214	Mixture Needle Spring
36	530-029116	Muffler Spring	97	530-035166	* Fuel Pump Diaphragm
37	530-015126	Key	98	530-035164	* Fuel Pump Gasket
38	✓ 530-010945	Crankshaft Ass'y. - <b>See Service Ref. 1</b>	99	530-035203	* Idle Speed Screw
39	★★★★	Spacer - <b>See Service Ref. 1</b>	100	530-035208	* Idle Speed Spring
40	530-032103	Inner Bearing	101	530-035028	* Metering Lever Pin
41	530-015787	Ring	102	530-035031	Metering Lever
42	530-019158	Crankshaft Seal	103	530-035188	Metering Lever Spring
43	530-032102	Outer Bearing	104	530-035106	Inlet Needle Valve
44	530-015789	Retaining Ring	105	530-035178	Fuel Inlet Screen
45	✓ 530-014004	Crankcase/Crankshaft Ass'y.	106	530-035264	*+ Carb. Kwik Repair Kit
46	530-014362	Fuel Pick-Up Ass'y.			(*Indicates Contents)
47	530-069247	Fuel Line Kit	107	530-035219	*+ Carb. Gasket/Diaphragm Kit
48	✓ 530-029602	Foam			(+Indicates Contents)
49	530-014347	Fuel Cap	108	530-035211	Circuit Plate Gasket
50	✓ 530-014267	Fuel Tank Ass'y.	109	530-035217	Mixture Needle Washer
51	952-030078	Spark Plug (CJ-8Y)	110	530-035218	"O" Ring Mixture
52	530-012244	Cylinder	111	✓ 530-035337	Limiter Cap (Black)
53	530-027525	Spacer			
54	530-029606	Leadwire Switch		Not Shown	
55	530-015776	Screw		✓ 530-082506	Operator Manual
56	530-039137	Ignition Module		-	Instruction Decal
57	530-019178	Gasket		530-029627	Type 1
58	530-026413	Piston Ring		✓ 530-038333	Type 2
59	530-015162	Retainer			

PARTS LIST NO. 530-067874 - 11/15/94		WEED EATER® PARTS LIST	MODEL: GBI 20
PAGE NO. 3	REPLACES 530-067874-6/13/91		

### SERVICE REFERENCE

1. **Crankshaft Spacer** - Earlier models equipped with the laminated crankshaft (shown on the left) requires spacer 530-015788. Later models equipped with a step on the crankshaft (shown on the right), do not require the spacer.

**Spacer Required**



**Spacer Not Required**

