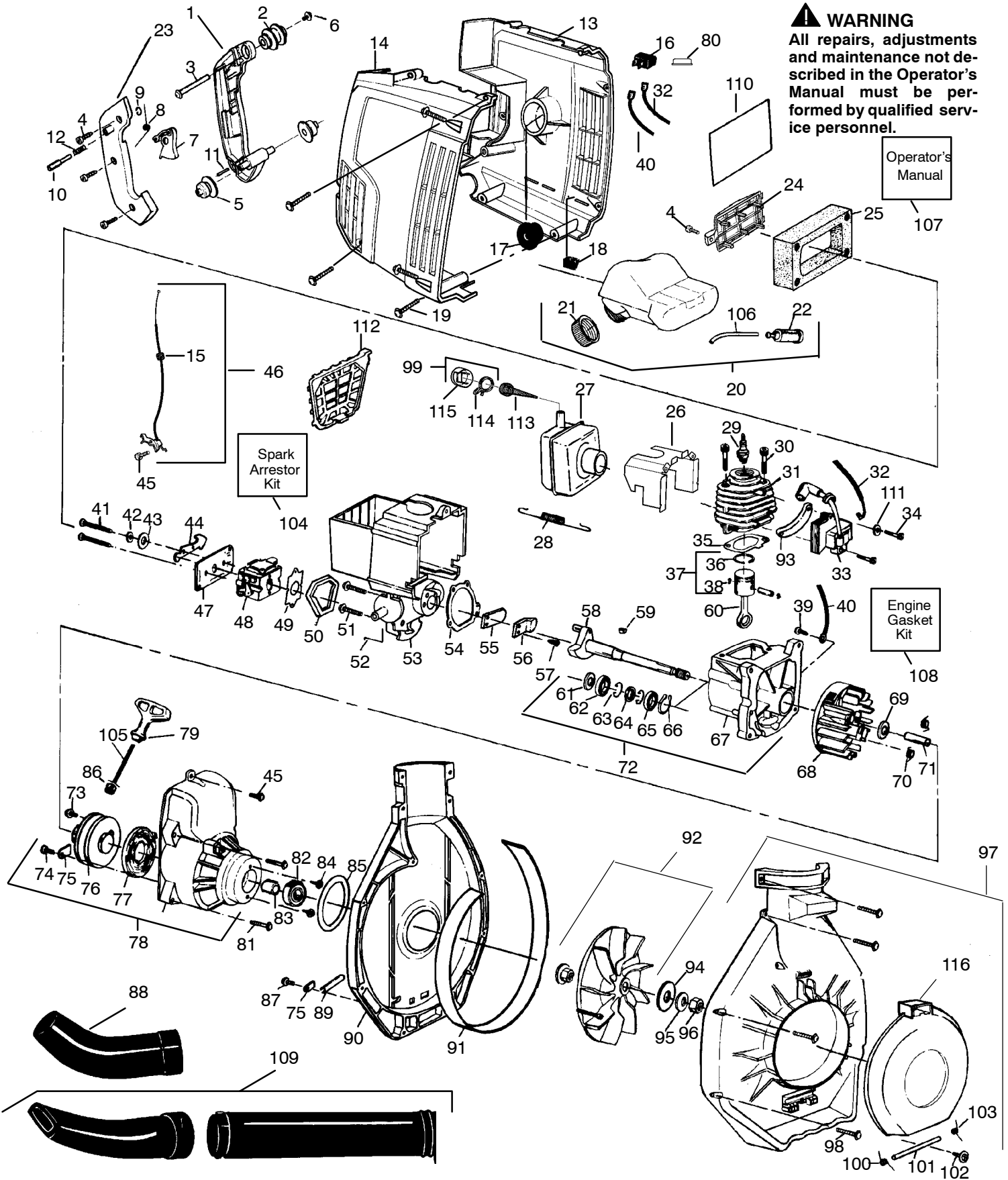


PARTS LIST NO. <b>530-083440</b>		<b>WEED EATER® PARTS LIST</b>	Gas Blower/Vac Model(s): <b>GBI 22, 22V &amp; 30V</b>
DATE <b>1/16/96</b>	REPLACES <b>530-067598-10/8/93</b> <b>530-067703-10/8/93</b>		<b>Note:</b> Illustration may differ from actual model due to design changes



**WARNING**  
All repairs, adjustments and maintenance not described in the Operator's Manual must be performed by qualified service personnel.

[Order Weed Eater GBI parts on eBay](https://www.ebay.com)

PARTS LIST NO. <b>530-083440</b>		<b>WEED EATER® PARTS LIST</b>	Gas Blower/Vac Model(s): <b>GBI 22, 22V &amp; 30V</b>
DATE <b>1/16/96</b>	REPLACES <b>530-067598-10/8/93</b> <b>530-067703-10/8/93</b>		<b>Note:</b> Illustration may differ from actual model due to design changes

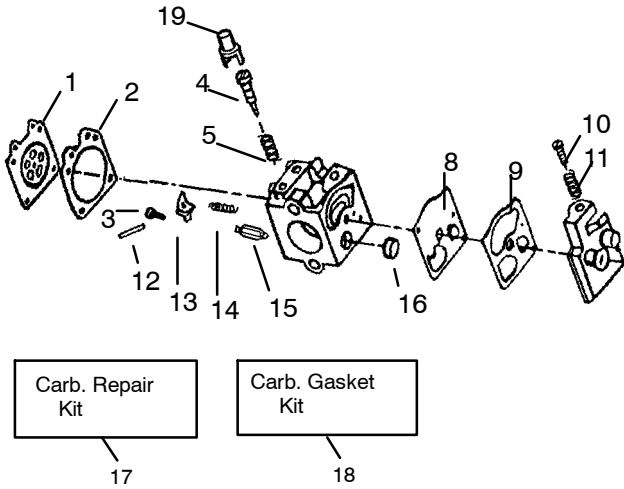
Key No.	Part No.	Description	Key No.	Part No.	Description
1	530-094712	Handle	57 ✓	530-016064	Screw
2	530-026994	Front Isolator	58	530-014033	Crankshaft- <b>See Service Ref. 3</b>
3	530-029111	Spacer	59	530-015126	Key
4	530-015635	Screw	60	-	Piston Rod
5	530-029130	Rear Isolator		530-014005	22-22V
6	530-015813	Screw		530-010960	30V
7	530-029072	Trigger	61	★	Spacer- <b>See Service Ref. 3</b>
8	530-027597	Spring	62	530-032103	Inner Bearing
9	530-015702	"C" Clip	63	530-015787	Ring
10	530-029117	Throttle Lock Button	64	530-019158	Crankshaft Seal
11	530-015840	Pin	65	530-032102	Outer Bearing
12	530-024772	Spring	66	530-015789	Retaining Ring
13 ✓	530-037503	Shroud-Left	67	530-014016	Crankcase
14	530-037143	Shroud-Right	68 ✓	530-039189	Flywheel
15	530-019168	Grommet	69	530-347987	Washer
16 ✓	530-069572	Switch	70	530-023817	Spring
17	530-029129	Isolator	71 ✓	★	Spacer- <b>See Service Ref. 4</b>
18	530-029295	Isolator	72	530-014156	Crankcase/Crankshaft Assy.
19	530-015814	Screw	73 ✓	530-016080	Screw
20	530-014162	Fuel Tank Ass'y. (Incl. #21, 22 & 106)	74	530-015496	Screw
21	530-014347	Fuel Cap (Incl. O'Ring)	75	530-027523	Retainer
22	530-014362	Fuel Pick-up Ass'y.	76	★	Starter Pulley (Incl.73)- <b>See Service Ref. 2</b>
23	530-014160	Handle Cover Ass'y. (Incl. 9, 10 & 12)	77	530-029395	Starter Spring
24	530-029274	Cover	78 ✓	530-069714	Fan Housing Kit (Incl. 73-79,86, & 105) <b>See Service Ref. 4</b>
25	530-029112	Air Filter			Starter Handle
26	530-029404	Air Baffle	79	530-027569	Protector Cap
27	530-069293	Muffler	80	530-037071	Screw
28	530-029116	Spring	81	530-015769	Bearing- <b>See Service Ref. 4</b>
29	952-030078	Spark Plug	82	★	Spacer- <b>See Service Ref. 4</b>
30	530-001624	Screw	83	★	Screw- <b>See Service Ref. 4</b>
31	-	Cylinder	84	★	"O" Ring
	530-012244	22-22V	85	530-019167	Eyelet
	530-069628	30V - Type 1	86	530-029182	Screw
	530-069626	30 V - Type 2 & 3	87	530-015815	Blower Nozzle Concentrator
32	530-029425	Lead Wire	88	530-094968	Roll Pin
33	530-039137	Ignition Module	89	530-029119	Blower Housing (Upper)
34	-	Screw	90	530-094710	Band
	530-015776	22-22V	91	530-029173	Impeller (Inc. Hub)
	530-015816	30V	92	530-014157	Spacer
35	530-019178	Gasket	93	530-027525	Washer
36	-	Piston Ring	94	530-015818	Washer
	530-026413	22-22V	95	530-015441	Nut
	530-025875	30V	96	530-001733	Blower Housing (Lower) (Incl. 99-103 & door)
37	-	Piston Kit (Incl. #36,38, & Pin)	97 ✓	530-047736	Screw
	530-069274	22-22V	98	530-015872	Deflector & Clamp Ass'y.
	530-069277	30V - Type 1	99	530-014339	Spring
	530-069349	30V - Type 2 & 3	100	530-015667	Pin
38	530-015162	Retainer	101	530-015647	Screw
39	530-015306	Screw	102	530-015815	Spring
40	530-029426	Ground Wire	103	530-015672	Spark Arrestor Kit
41	530-015849	Screw	104	-	T 1
42	530-015254	Wave Washer		530-069285	T 2 & 3
43	530-015852	Spacer		530-069348	Rope Kit
44	530-029114	Choke Shutter	105	530-069232	Line Kit
45	530-015775	Screw	106	530-069247	Operator's Manual
46	530-037492	Cable Assembly (Incl. #45)	107	-	22
47	530-029115	Plate		530-083941	22V/30V
48	-	Carburetor		530-083772	Gasket Kit
	530-035263	Type 1 & 2 (WT 141)		530-069294	Tube and Nozzle Ass'y
	530-069644	Type 3 (WT 141A w/ Limiter Cap)	108	530-038508	Decal Instruction
49	530-019164	Gasket	109		Type 2
50	530-019165	Seal	110		Type 3
51	530-015771	Screw		530-029329	Washer- <b>See Service Ref. 1</b>
52	530-029113	Ground Wire		530-047443	Muffler Guard
53 ✓	530-047696	Reed Block	111	★	Spark Arrestor Screen
54	530-019166	Gasket	112	530-069304	Spark Arrestor Clamp
55	530-027593	Reed Valve	113	530-029227	Exhaust Deflector Ass'y.
56	530-027594	Reed Stop	114	530-029228	Inlet Door- <b>See Service Ref. 5</b>
			115	530-029988	
			116 ✓	★	

✓ = NEW PART NUMBER FOR THIS IPL      ★ = REFER TO THE SERVICE REFERENCE INDICATED FOR MORE INFORMATION. (LOCATED AT END OF IPL)  
● = THESE PARTS ARE ILLUSTRATED FOR CLARITY. ORDER COMPLETE ASSEMBLY.

PARTS LIST NO. <b>530-083440</b>		<b>WEED EATER® PARTS LIST</b>	Gas Blower/Vac Model(s): <b>GBI 22, 22V &amp; 30V</b>
DATE <b>1/16/96</b>	REPLACES <b>530-067598-10/8/93</b> <b>530-067703-10/8/93</b>		<b>Note:</b> Illustration may differ from actual model due to design changes

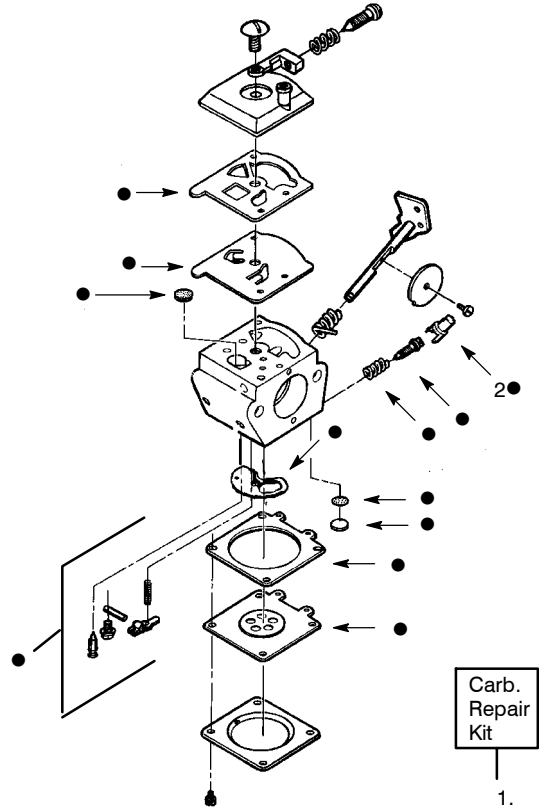
### Carburetor Assembly

#### WT-141 #530-035263



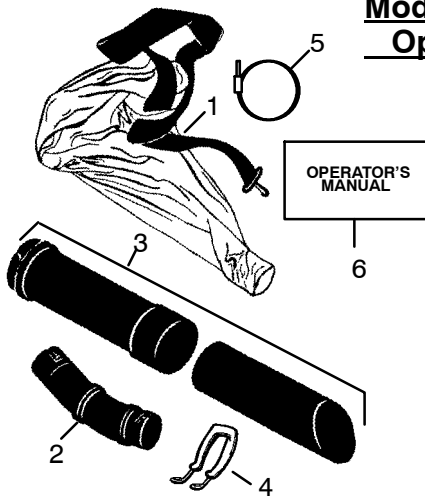
Key No.	Part No.	Description
1	530-035014	*+
2	530-035151	*+ Metering Diaphragm
3	530-035016	* Metering Diaphragm Gasket
4	530-035268	Metering Lever Pin Screw
5	530-035214	Mixture Needle
8	530-035166	Mixture Needle Spring
9	530-035164	*+ Fuel Pump Diaphragm
10	530-035203	*+ Fuel Pump Gasket
11	530-035208	Idle Speed Screw
12	530-035028	Idle Speed Spring
13	530-035031	Metering Lever Pin
14	530-035188	* Metering Lever
15	530-035106	* Metering Lever Spring
16	530-035178	* Inlet Needle Valve
17	530-035264	* Fuel Inlet Screen
18	530-035219	* Carb. Kwik Repair Kit (*Indicates Contents) Carb. Gasket/Diaphragm Kit (+Indicates Contents)

#### WT-141A #530-069644



Ref.	Part No.	Description
1.	530-069725	Carburetor Repair Kit (● Indicates Contents)
2.	530-038403	Limiter Cap

### Models 20V, 30V, and Vacuum Attachment Kit #952-701613 Optional for Model 22



KEY NO.	PART NO.	DESCRIPTION
1	530-069272	Collection Bag W/Strap
2	530-095117	Collection Bag Elbow Tube
3	530-069270	Vacuum Tubes
4	530-010850	Handle
5	530-094230	Clamp
6	530-067597	Operator Manual Vacuum Attachment Kit Only

✓ = NEW PART NUMBER FOR THIS IPL      \* = REFER TO THE SERVICE REFERENCE INDICATED FOR MORE INFORMATION. (LOCATED AT END OF IPL)  
● = THESE PARTS ARE ILLUSTRATED FOR CLARITY. ORDER COMPLETE ASSEMBLY.

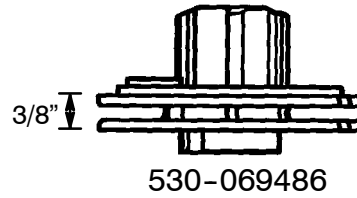
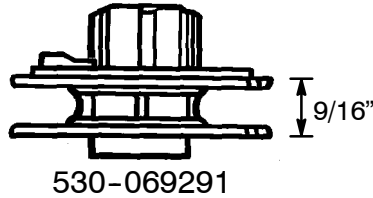
[Order Weed Eater GBI parts on eBay](https://www.ebay.com/str/weedeaterparts)

PARTS LIST NO. <b>530-083440</b>		<b>WEED EATER® PARTS LIST</b>	Gas Blower/Vac Model(s): <b>GBI 22, 22V &amp; 30V</b>
DATE <b>1/16/96</b>	REPLACES <b>530-067598-10/8/93</b> <b>530-067703-10/8/93</b>		Note: Illustration may differ from actual model due to design changes

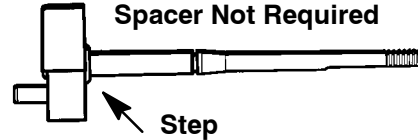
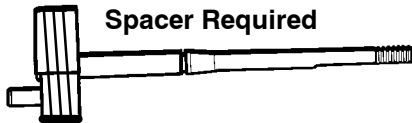
### ★SERVICE REFERENCE

**1. Ignition Module Washer** - Washer #530-015811, was used on some units having a serial number beginning with 1G268 and lower. When repairing units in this serial number range, the washer should be added if the unit is not so equipped. Units built with higher serial numbers do not require the washer.

**2. Starter Pulley** - When ordering a new starter pulley for your unit, please measure your existing pulley as shown by the dimensions in the illustrations below and order accordingly.



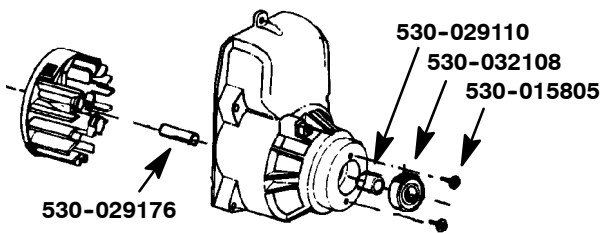
**3. Crankshaft Spacer** - Earlier models equipped with the laminated crankshaft (shown on the left) requires Spacer 530-015788. Later models equipped with a step on the crankshaft (shown on the right), do not require the spacer.



**4. Fan Housing Kit, Spacers, Bearing and Screws** - The earlier fan housing was equipped with bearing (530-032108), screws (530-015805) and required two spacers (530-029176 and 530-029110) as shown below. The new fan housing does not require a bearing and uses one long spacer (530-038386). Both sets of parts are included in the new fan housing kit 530-069714.

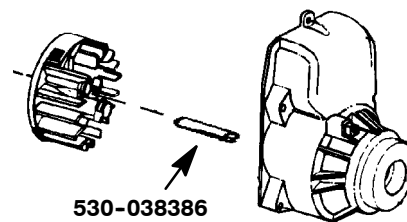
#### Old Style

**Bearing and Two Spacers Required**

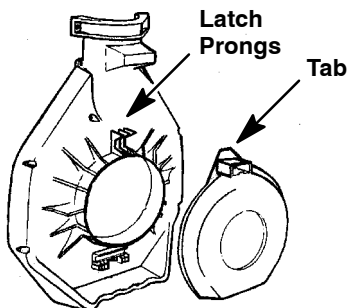


#### New Style

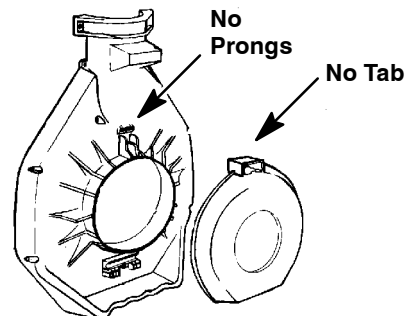
**One Long Spacer Required**



**5. Inlet Door** - The latch on the lower blower housing and door has changed. The new style can be identified by the tab found at the top of the latch on the door and the latch prongs on the housing as shown below. To replace the old door, order Lower Blower Fan Housing 530-047736. To replace the door equipped on the new style housing, order 530-047700.



**New Style**



**Old Style**