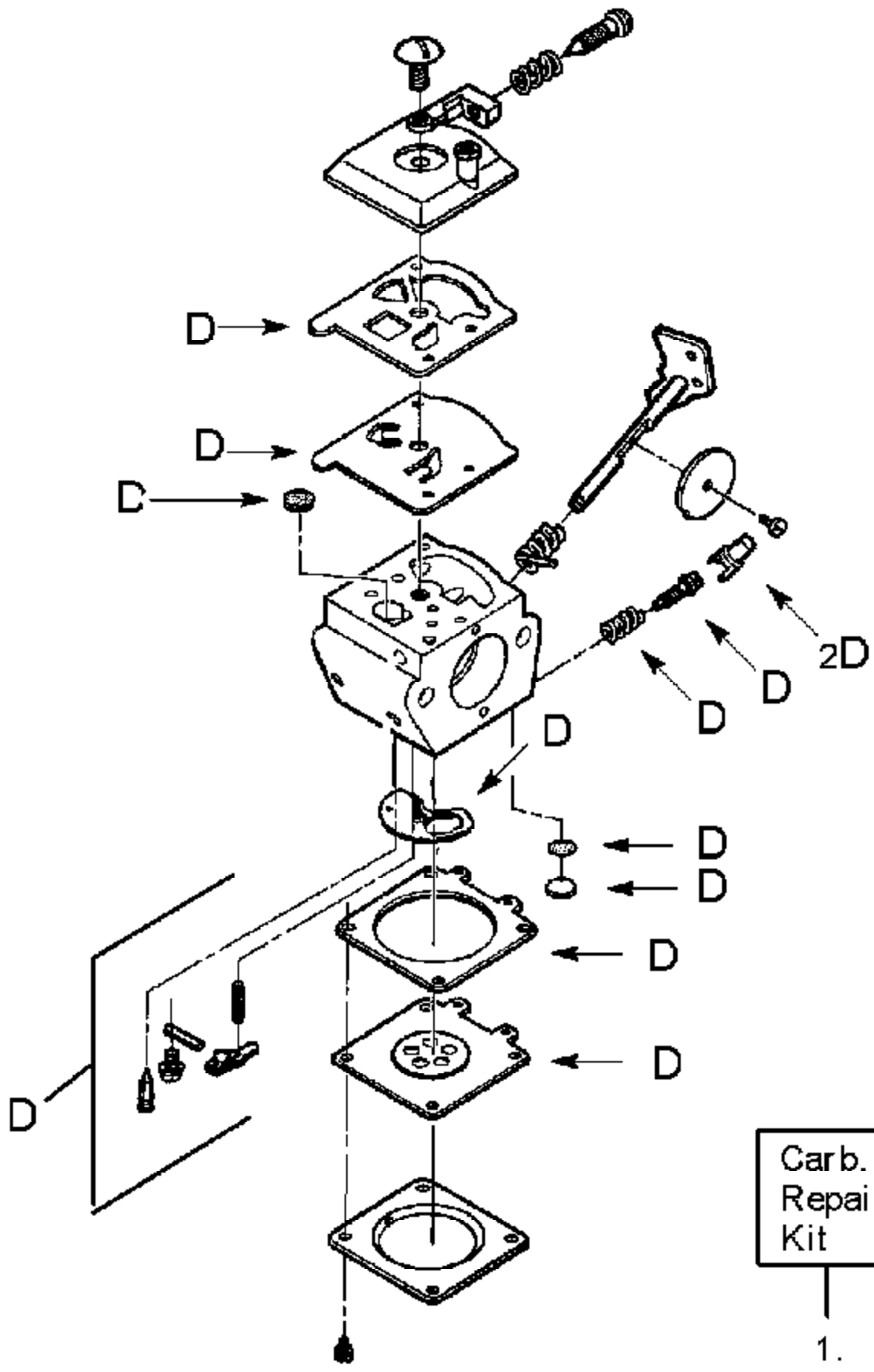


Ref #	Part Number	Qty	Description
1	530035014		Metering Diaphragm (Included in Carb. Kwik Repair Kit, P/N 530-035264 and in Carb. Gasket/Diaphragm Kit, P/N 530-035219)
2	530035151		Metering Diaphragm Gasket (Included in Carb. Kwik Repair Kit, P/N 530-035264 and in Carb. Gasket/Diaphragm Kit, P/N 530-035219)
3	530035211		Circuit Plate Gasket (Included in Carb. Kwik Repair Kit, P/N 530-035264 and in Carb. Gasket/Diaphragm Kit, P/N 530-035219)
4	530035212		Mixture Needle WA-207/207A
	530035341		Mixture Needle WA-219
5	530035214		Mixture Needle Spring WA-207/207A
	530035342		Mixture Needle Spring WA-219
8	530035166		Fuel Pump Diaphragm (Included in Carb. Kwik Repair Kit, P/N 530-035264 and in Carb. Gasket/Diaphragm Kit, P/N 530-035219)
9	530035164		Fuel Pump Gasket (Included in Carb. Kwik Repair Kit, P/N 530-035264 and in Carb. Gasket/Diaphragm Kit, P/N 530-035219)
10	530035203		Idle Speed Screw
11	530035208		Idle Speed Spring
12	530035028		Metering Lever Pin (Included in Carb. Kwik Repair Kit, P/N 530-035264)
13	530035031		Metering Lever (Included in Carb. Kwik Repair Kit, P/N 530-035264)
14	530035188		Metering Lever Spring (Included in Carb. Kwik Repair Kit, P/N 530-035264)
15	530035106		Inlet Needle Valve (Included in Carb. Kwik Repair Kit, P/N 530-035264)
16	530035178		Fuel Inlet Screen (Included in Carb. Kwik Repair Kit, P/N 530-035264)
17	530035016		Metering Lever Pin Screw (Included in Carb. Kwik Repair Kit, P/N 530-035264)
18	530035264		Carb. Kwik Repair Kit (Includes items 1,2,3,8,9,12-17)
19	530035219		Carb. Gasket/Diaphragm Kit (Includes items 1,2,3,8,9)

SST45 Gas Trim Page 2 of 1  
Carburetor Assembly WA-2



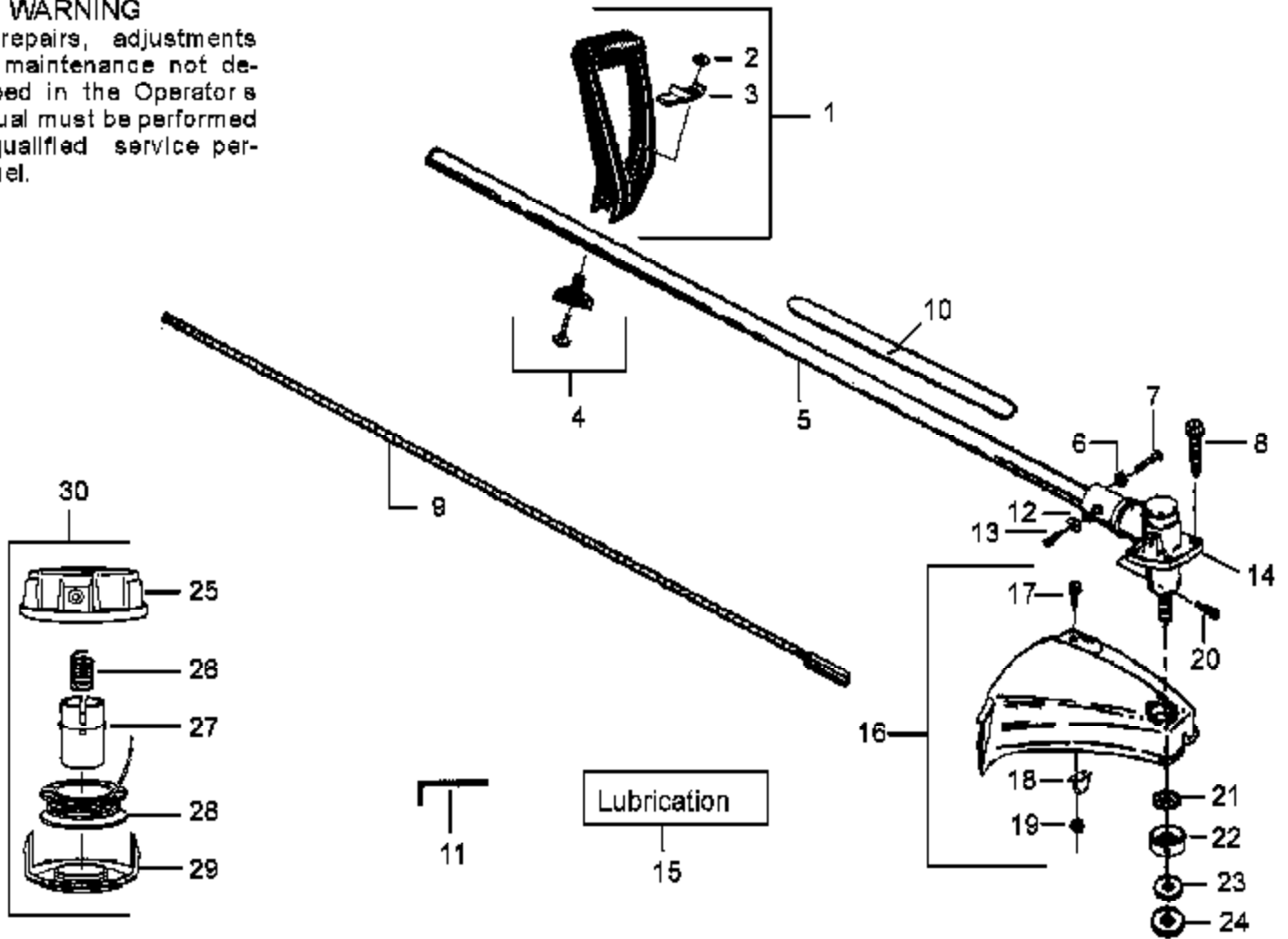
Carb.  
 Repair  
 Kit

Ref #	Part Number	Qty	Description
1	530069667		Carburetor Repair Kit WA-219B (D Indicates Contents)
2	530038404		Limiter Cap
D			Included in Carburetor Repair Kit WA-219B, P/N 530069667
	530069648		Carburetor Assy Kit - WA-219B
	530069637		Carburetor Assy Kit - WA-217

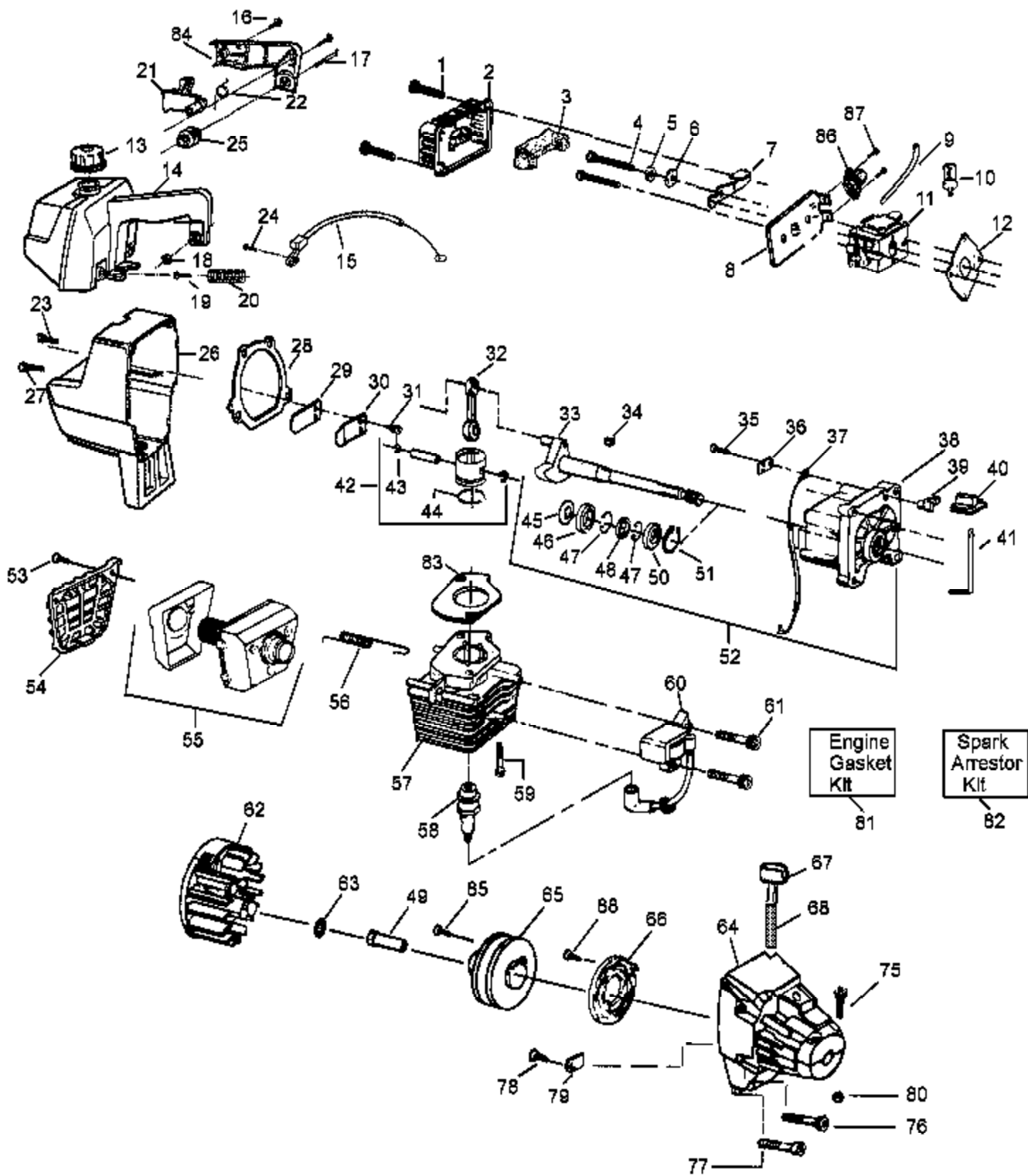
SST45 Gas Trim Page 4 of 11  
 Carburetor Repair Kits - WA:

**! WARNING**

All repairs, adjustments and maintenance not described in the Operator's Manual must be performed by qualified service personnel.



Ref #	Part Number	Qty	Description
1	530069496		Assist Handle Kit
2	530015610		Nut
3	530094742		Clamp
4	530069252		"T" Handle Ass'y.
5	530014772		Drive Shaft Housing
6	530001642		Lockwasher
7	530001711		Screw
8	530016107		Screw (Not Shown)
9	530095146		Drive Shaft
10	530029159		Shaft Warning Decal
11	530031111		Hex Wrench (5/32)
12	530015328		Lockwasher
13	530094612		SST45 Gas Trimmer 6 of 11
14	530094568		Driveshaft & Cutting Head
15	952030139		Gear Box Assy.
16	530069256		Shaft Lubrication
17	530015037		Shield Kit Assy.
18	530094570		Screw
19	534235901		Line Limiter
20	530094616		Locknut
21	530094640		Screw
22	530094639		Seal
23	530094571		Dust Cup
24	530094189		Grass Washer
25	530014773		Washer
26	530094830		Hub Assy.
27	530094827		Spring
28	952701619		Release Button
29	530094828		Spool w/Line
30	952701657		Cover
	530081849		Cutting Head Ass'y
	530081871		Operator Manual GTI 52, SST 45 (Not Shown)
	530083179		Operator Manual Type 2 (Not Shown)
			Operator Manual Type 3 (Not Shown)



Ref #	Part Number	Qty	Description
1	530015773		Screw
2	530027529		Air Filter Cover
3	530027530		Air Filter
4	530015849		Screw
5	530015852		Spacer
6	530015254		Wave Washer
7	530038103		Choke Shutter
8	530027527		Air Filter Plate Type 1
	530037930		Air Filter Plate Type 2 & 3
9	530069247		Fuel Line Kit - Fuel Line
	530069238		Fuel Line Kit - Return Line Type 2 & 3
10	530014362		Fuel Pick-up Ass'y.
11	530069637		Carburetor Type 1 (WA-217)
	530069568		Carburetor Type 2 & 3 (WA-219B)
12	530019156		Carburetor Gasket (Included in Engine Gasket Kit, P/N 530-069276)
13	530014347		Fuel Cap Ass'y.
14	530029552		Handle & Tank Ass'y. Type 1
	530047102		Handle & Tank Ass'y. Type 2 & 3
15	530027964		Throttle Cable Ass'y. Type 1
	530037499		Throttle Cable Ass'y. Type 2 & 3
16	530015805		Screw
17	530015809		Screw
18	530015807		Nut
19	530015713		Screw
20	530027926		Rear Isolator Spring
21	530027924		Throttle Trigger
22	530027925		Throttle Spring
23	530015810		Screw
24	530015775		Screw
25	530024256		Isolator
26	530027923		Shroud
27	530015771		Screw
28	530019154		Gasket (Included in Engine Gasket Kit, P/N 530-069276)
29	530027593		Reed
30	530027594		Reed Stop
31	530016064		Screw
32	530010960		Connecting Rod Ass'y.
33	530010945		Crankshaft Ass'y. (See Service Ref. 1)
34	530015126		Flywheel Key
35	530015780		Screw
36	530027546		Switch Insulator
37	530027547		Lead Wire
38	530014016		Crankcase Ass'y. (Incl. 46,47,48 & 50)
39	530027545		Switch Ramp
40	530038309		Switch Button
41	530027959		Switch Spring
42	530069275		Piston Kit (Incl. 43,44 & pin)
43	530015162		Piston Pin Retainer
44	530025875		Piston Ring
45			Spacer (See Service Ref. 1)
46	530032103		Inner Bearing
47	530015787		Retaining Ring
48	530019158		Crankshaft Seal
49	530027953		Drive Coupling

SST45 Gas Turbine 8 of 11  
Power Unit

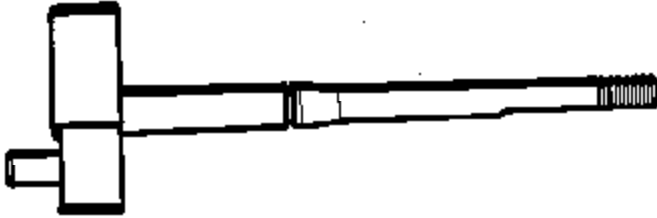


Ref #	Part Number	Qty	Description
50	530032102		Outer Bearing
51	530015789		Crankshaft Retaining Ring
52	530014004		Crankcase & Crankshaft Ass'y. (Incl. 33,38 & 46-51)
53	530015717		Screw
54	530027781		Muffler Guard
55	530069257		Muffler Kit
56	530036409		Muffler Spring
57	530069626		Cylinder
58	530030077		Spark Plug Type 1 & 2 (CJ-14)
	530030075		Spark Plug Type 3 (RCJ-8Y)
59	530015239		Screw
60	530039134		Ignition Module Kit
61	530015128	SST45 Gas Spring	Screw Page 9 of 11
62	530047198	Power Unit	Flywheel Ass'y.
63	530015828		Washer
64	530014044		Fan Housing
65	530069291		Starter Pulley (Incl. 85)
66	530029395		Starter Spring
67	530027569		Starter Handle
68	530069232		Rope Kit
75	530015767		Screw
76	530015770		Screw
77	530015769		Screw
78	530015496		Screw
79	530027523		Pulley Retainer
80	530015768		Locknut
81	530069276		Engine Gasket Kit (Includes items 12,28,83)
82	952701612		Spark Arrestor Kit
83	530019178		Cylinder Gasket (Included in Engine Gasket Kit, P/N 530-069276)
84	530027917		Handle Cover
85	530016080		Screw - Pulley
86	530038874		Primer Bulb Ass'y. Type 2 & 3
87	530016091		Screw - Primer Type 2 & 3
88	530015882		Screw - Starter Spring - Type 3
	530027970		Instruction Decal Type 1
	530037742		Instruction Decal Type 2 (Not a serviceable part)
	530038843		Instruction Decal Type 3 (Not a serviceable part)

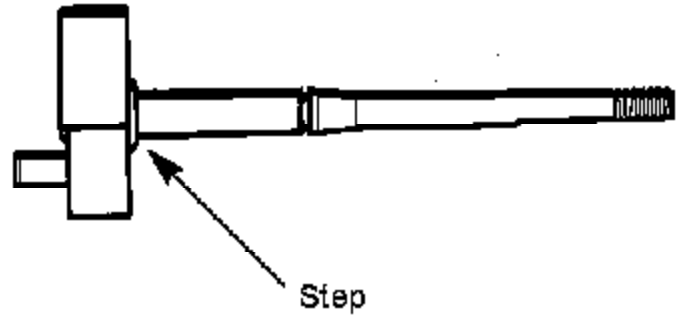
## L SERVICE REFERENCE

1. Crankshaft Spacer – Earlier models equipped with the laminated crankshaft (shown on the left) requires Spacer 530-015788. Later models equipped with a step on the crankshaft (shown on the right), do not require the spacer.

Spacer Required



Spacer Not Required



---

Ref #	Part Number	Qty	Description
530015788	530015788		SPACER-BEARING

---

SST45 Gas Trimmer 11 of 11  
Service Reference