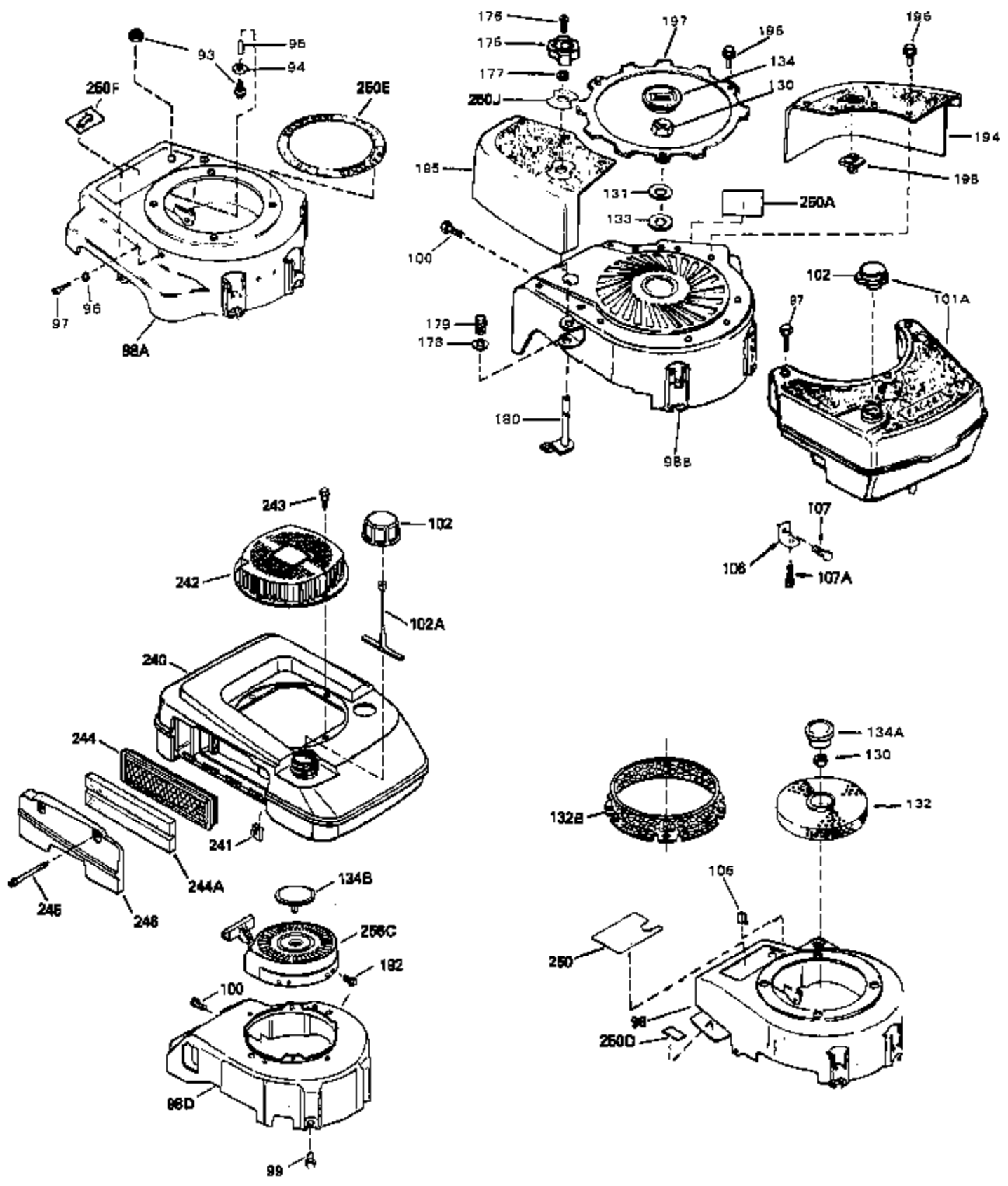


| Ref # | Part Number | Qty | Description |
|-------|-------------|-----|--|
| | 1 33404A | 0 | Cylinder Assy. (2-5/8" Bore) |
| | 2 26727 | 0 | Pin, Dowel |
| | 4 29183 | 0 | Seal, Oil |
| | 5 29313C | 0 | Valve, Exhaust (Standard) (Conventional |
| | 5 29315C | 0 | Valve, Exhaust (1/32" oversize) |
| | 6 29314B | 0 | Valve, Intake (Standard) (Conventional |
| | 6 29315C | 0 | Valve, Exhaust (1/32" oversize) |
| | 8 31671 | 0 | Cap, Upper valve spring |
| | 9 31672 | 0 | Spring, Valve |
| | 10 31673 | 0 | Cap, Lower valve spring |
| | 11 31742A | 0 | Crankshaft Assy. |
| | 12 29783 | 0 | Pin, Crankshaft gear |
| | 13 27613 | 0 | Gear, Crankshaft |
| | 14 34851 | 0 | Piston, Pin & Ring Assy. (Std.) (2-5/8") |
| | 14 34852 | 0 | Piston, Pin & Ring Assy. (.010 oversize) |
| | 14 34853 | 0 | Piston, Pin & Ring Assy. (.020 oversize) |
| | 14A 32603B | 0 | Piston & Pin Assy. (Std.) (2-5/8") |
| | 14A 32604B | 0 | Piston & Pin Assy. (.010 oversize) |
| | 14A 32605B | 0 | Piston & Pin Assy. (.020 oversize) |
| | 15 34854 | 0 | Ring Set, Piston (Standard) (2-5/8") |
| | 15 34855 | 0 | Ring Set, Piston (.010 oversize) |
| | 15 34856 | 0 | Ring Set, Piston (.020 oversize) |
| | 16 20381 | 0 | Ring, Piston pin retaining |
| | 17 30963B | 0 | Rod Assy., Connecting |
| | 18B 26706 | 0 | Bolt, Connecting rod |
| | 19 20747 | 0 | Washer, Connecting rod bolt |
| | 20 27573 | 0 | Nut, Connecting rod bolt |
| | 21A 27241 | 0 | Lifter, Valve |
| | 21 27241 | 0 | Lifter, Valve |
| | 22 33148A | 0 | Camshaft (Compression Release) |
| | 23 29914 | 0 | Pump Assy., Oil |
| | 24 35261 | 0 | Gasket, Mounting flange |
| | 25 34831 | 0 | Flange Assy., Mounting |
| | 26 26208 | 0 | Seal, Oil |
| | 27 28833 | 0 | Gasket, Oil drain |
| | 28 27244 | 0 | Plug, Oil drain |
| | 30 650488 | 0 | Screw |
| | 31 30590A | 0 | Washer, Flat |
| | 32 30574 | 0 | Shaft, Mechanical governor |
| | 33 30591 | 0 | Gear Assy., Governor |
| | 34 29193 | 0 | Ring, Retaining |
| | 35 30588A | 0 | Spool, Governor |
| | 36 31335 | 0 | Clamp, Governor lever |
| | 37 28277 | 0 | Washer, Flat |
| | 38 650548 | 0 | Screw, Hex washer hd., 8-32 x 5/16 |
| | 39 31383A | 0 | Lever, Governor |
| | 40 32863 | 0 | Spring, Extension |
| | 41 30589 | 0 | Rod, Governor |
| | 43 610961 | 0 | Key, Flywheel (Std. Pt. Ign.) |
| | 44 650694A | 0 | Screw, Hex flange hd., 5/16-18 x 2 |
| | 44A 6021A | 0 | Screw, Hex flange hd., 5/16-18 x 1-1/2 |
| | 45 33636 | 0 | Plug, Spark (Champion J-8 or equivalent) |
| | 45 34251 | 0 | Resistor Spark Plug |
| | 46 32643 | 0 | Gasket, Cylinder head |
| | 47 30579A | 0 | Head, Cylinder |
| | 48 26073 | 0 | Washer, Connecting rod bolt |
| | 50 34215 | 0 | Breather Assy. |
| | 51 30200 | 0 | Screw |

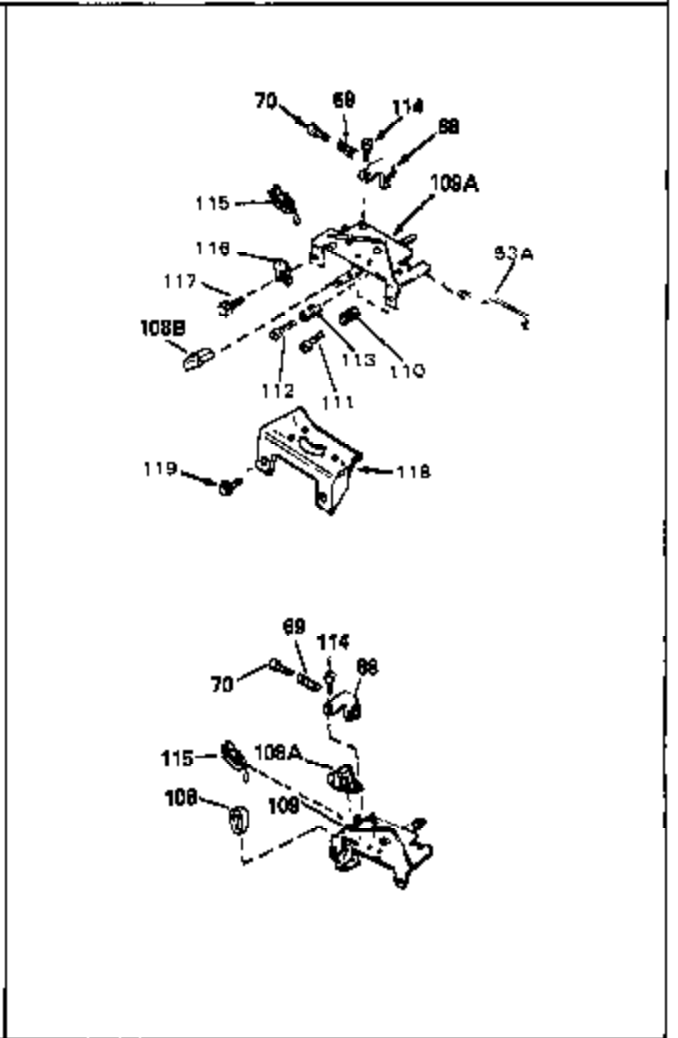
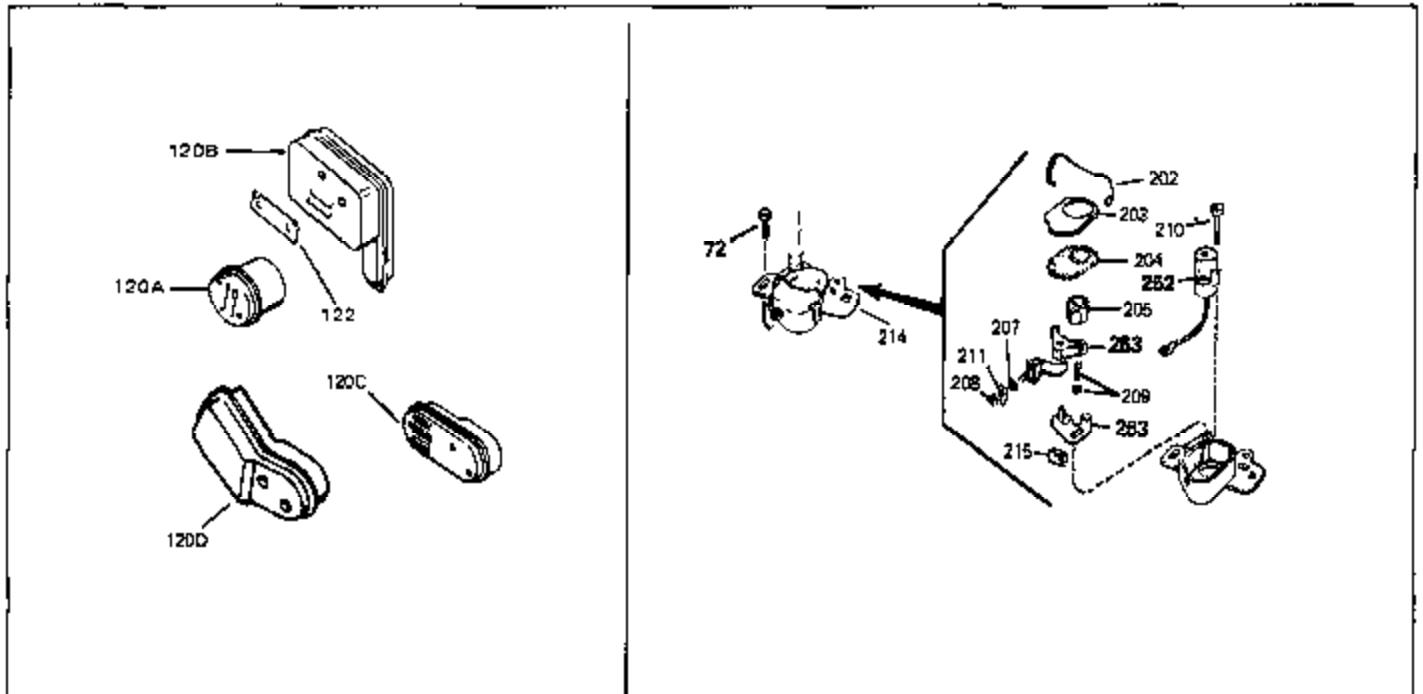
| Ref # | Part Number | Qty | Description |
|-------|-------------|-----|---|
| 52 | 32760 | 0 | Gasket, Breather |
| 53 | 32652 | 0 | Link, Throttle |
| 54 | 33151 | 0 | Link, Governor spring |
| 55 | 32755 | 0 | Cover, Valve spring box |
| 56 | 27234 | 0 | Gasket, Breather cover |
| 57 | 30063 | 0 | Screw |
| 59 | 32649 | 0 | Gasket, Intake |
| 60 | 31384A | 0 | Pipe, Intake |
| 61 | 6201 | 0 | Screw |
| 62 | 650451 | 0 | Screw |
| 67 | 26756 | 0 | Gasket, Carburetor |
| 71 | 29752 | 0 | Nut |
| 75 | 32972 | 0 | Cleaner, Air |
| 76 | 33168 | 0 | Clamp, Corbin |
| 99 | 650831 | 0 | Screw, Hex washer hd. Powerlok thread, |
| 101 | 33882 | 0 | Tank Assy., Fuel (Charcoal Poly) (1 qt.) |
| 102 | 34118 | 0 | Cap, Fuel filler (Red Plastic) (Spurt |
| 102 | 410144B | 0 | Cap, Fuel filler (White Plastic) (Std.) |
| 103 | 29774 | 0 | Line, Fuel (Braided 8.25") |
| 103 | 30705 | 0 | Line, Fuel (Braided 16") |
| 103 | 34357 | 0 | Line, Fuel (Epichlorohydrin 6-3/4") |
| 103A | 31400 | 0 | Line, Fuel (3-3/8" Metal) |
| 104 | 26460 | 0 | Clamp, Fuel line |
| 115 | 610973 | 0 | Terminal Assy. |
| 121 | 650795 | 0 | Screw, Hex hd. cap, Sems, 1/4-20 x 2-5/16 |
| 124 | 650562 | 0 | Screw |
| 125 | 30139 | 0 | "O" Ring |
| 125 | 34282 | 0 | "O" Ring (.612 I.D. x .812 O.D. x .103 |
| 126 | 32750 | 0 | Tube, Oil filler |
| 127 | 29985 | 0 | "O" Ring |
| 128 | 30140 | 0 | Dipstick, Oil (Screw In) |
| 129 | 610118 | 0 | Cover, Spark plug |
| 130 | 650607 | 0 | Nut, Flywheel |
| 131 | 650815 | 0 | Washer, Belleville |
| 135 | 33086 | 0 | Lever, Speed adj. |
| 192A | 0 | 0 | Rivet, Pop (3/16" Dia.) |
| 201 | 730207 | 0 | Magneto-to-Solid State Conversion Kit |
| 250C | 31353 | 0 | Decal, Instruction |
| 251 | 631021 | 0 | Inlet Needle, Seat & Clip Assy. |
| 255 | 631840 | 0 | Carburetor |
| 258 | 33238C | 0 | Gasket Set |



| Ref # | Part Number | Qty | Description |
|-------|-------------|-----|---|
| 1 | 33404A | 0 | Cylinder Assy. (2-5/8" Bore) |
| 2 | 26727 | 0 | Pin, Dowel |
| 50 | 34215 | 0 | Breather Assy. |
| 51 | 30200 | 0 | Screw |
| 52 | 32760 | 0 | Gasket, Breather |
| 63 | 650506 | 0 | Screw |
| 64 | 631036 | 0 | Shutter, Throttle |
| 65 | 631530 | 0 | Shaft Assy., Throttle |
| 66 | 631066 | 0 | Spring, Return |
| 72 | 650489 | 0 | Screw |
| 115 | 610973 | 0 | Terminal Assy. |
| 192A | 0 | 0 | Rivet, Pop (3/16" Dia.) |
| 192 | 650737 | 0 | Screw, Hex washer hd. taptite, 1/4-20 x 1/2 |
| 193 | 650639 | 0 | Rivet, Open end |
| 252 | 30548B | 0 | Condenser |
| 253 | 30547A | 0 | Contact Assy., Breaker |
| 254 | 610793 | 0 | Magneto, Tecumseh (w/ring gear) |
| 256 | 590450A | 0 | Starter, Side mount rewind |



| Ref # | Part Number | Qty | Description |
|-------|-------------|-----|---|
| 93 | 610650B | 0 | Switch, Toggle |
| 95 | 33457 | 0 | Cap, Toggle switch |
| 98 | 34076 | 0 | Housing, Blower |
| 99 | 650831 | 0 | Screw, Hex washer hd. Powerlok thread, |
| 102 | 34118 | 0 | Cap, Fuel filler (Red Plastic) (Spurt |
| 102 | 410144B | 0 | Cap, Fuel filler (White Plastic) (Std.) |
| 105 | 27275 | 0 | Clip, Hi-tension wire |
| 130 | 650607 | 0 | Nut, Flywheel |
| 131 | 650815 | 0 | Washer, Belleville |
| 132 | 32237 | 0 | Screen, Flywheel |
| 192 | 650737 | 0 | Screw, Hex washer hd. taptite, 1/4-20 x 1/2 |



| Ref # | Part Number | Qty | Description |
|-------|-------------|-----|------------------------|
| 115 | 610973 | 0 | Terminal Assy. |
| 120A | 27181B | 0 | Muffler |
| 239 | 35435 | 0 | Filter, Pre-Air (Poly) |
| 252 | 30548B | 0 | Condenser |
| 253 | 30547A | 0 | Contact Assy., Breaker |