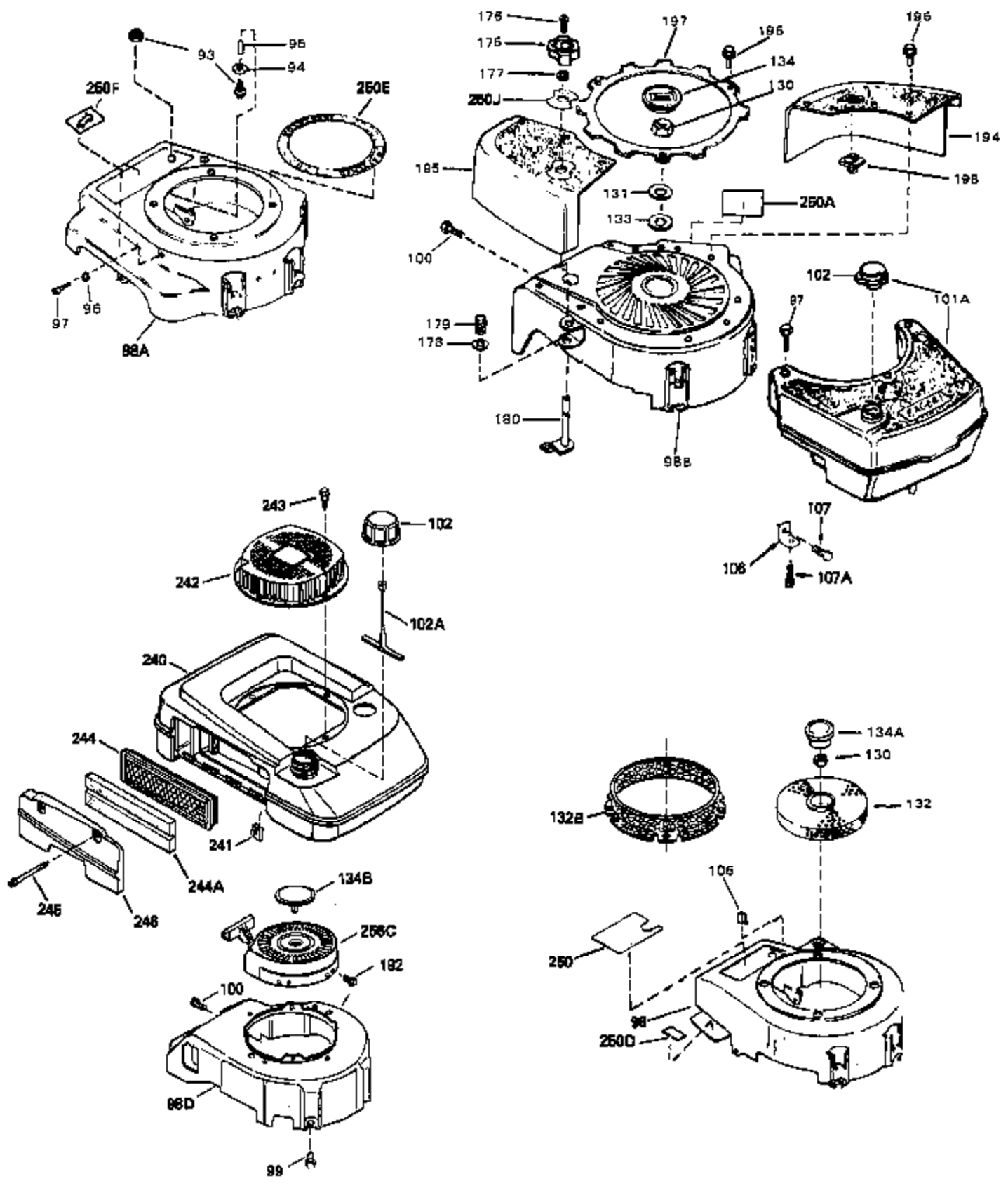


| Ref # | Part Number | Qty | Description                              |
|-------|-------------|-----|--|
|       | 1 33404A    | 0   | Cylinder Assy. (2-5/8" Bore)             |
|       | 2 26727     | 0   | Pin, Dowel                               |
|       | 4 29183     | 0   | Seal, Oil                                |
|       | 5 29313C    | 0   | Valve, Exhaust (Standard) (Conventional  |
|       | 5 29315C    | 0   | Valve, Exhaust (1/32" oversize)          |
|       | 6 29314B    | 0   | Valve, Intake (Standard) (Conventional   |
|       | 6 29315C    | 0   | Valve, Exhaust (1/32" oversize)          |
|       | 8 31671     | 0   | Cap, Upper valve spring                  |
|       | 9 31672     | 0   | Spring, Valve                            |
|       | 10 31673    | 0   | Cap, Lower valve spring                  |
|       | 11 33745    | 0   | Crankshaft Assy.                         |
|       | 12 29783    | 0   | Pin, Crankshaft gear                     |
|       | 13 27613    | 0   | Gear, Crankshaft                         |
|       | 14A 32603B  | 0   | Piston & Pin Assy. (Std.) (2-5/8")       |
|       | 14A 32604B  | 0   | Piston & Pin Assy. (.010 oversize)       |
|       | 14A 32605B  | 0   | Piston & Pin Assy. (.020 oversize)       |
|       | 14 34851    | 0   | Piston, Pin & Ring Assy. (Std.) (2-5/8") |
|       | 14 34852    | 0   | Piston, Pin & Ring Assy. (.010 oversize) |
|       | 14 34853    | 0   | Piston, Pin & Ring Assy. (.020 oversize) |
|       | 15 34854    | 0   | Ring Set, Piston (Standard) (2-5/8")     |
|       | 15 34855    | 0   | Ring Set, Piston (.010 oversize)         |
|       | 15 34856    | 0   | Ring Set, Piston (.020 oversize)         |
|       | 16 20381    | 0   | Ring, Piston pin retaining               |
|       | 17 30963B   | 0   | Rod Assy., Connecting                    |
|       | 18B 26706   | 0   | Bolt, Connecting rod                     |
|       | 19 20747    | 0   | Washer, Connecting rod bolt              |
|       | 20 27573    | 0   | Nut, Connecting rod bolt                 |
|       | 21A 27241   | 0   | Lifter, Valve                            |
|       | 21 27241    | 0   | Lifter, Valve                            |
|       | 22 33148A   | 0   | Camshaft (Compression Release)           |
|       | 23 29914    | 0   | Pump Assy., Oil                          |
|       | 24 35261    | 0   | Gasket, Mounting flange                  |
|       | 25 33521C   | 0   | Flange Assy., Mounting                   |
|       | 26 26208    | 0   | Seal, Oil                                |
|       | 27 28833    | 0   | Gasket, Oil drain                        |
|       | 28 27244    | 0   | Plug, Oil drain                          |
|       | 30 650488   | 0   | Screw                                    |
|       | 31 30590A   | 0   | Washer, Flat                             |
|       | 32 30574    | 0   | Shaft, Mechanical governor               |
|       | 33 30591    | 0   | Gear Assy., Governor                     |
|       | 34 29193    | 0   | Ring, Retaining                          |
|       | 35 30588A   | 0   | Spool, Governor                          |
|       | 36 31335    | 0   | Clamp, Governor lever                    |
|       | 37 28277    | 0   | Washer, Flat                             |
|       | 38 650548   | 0   | Screw, Hex washer hd., 8-32 x 5/16       |
|       | 39 31383A   | 0   | Lever, Governor                          |
|       | 40 31361    | 0   | Spring, Governor                         |
|       | 41 31513    | 0   | Rod, Governor                            |
|       | 43 610961   | 0   | Key, Flywheel (Std. Pt. Ign.)            |
|       | 44A 6021A   | 0   | Screw, Hex flange hd., 5/16-18 x 1-1/2   |
|       | 44 650694A  | 0   | Screw, Hex flange hd., 5/16-18 x 2       |
|       | 45 33636    | 0   | Plug, Spark (Champion J-8 or equivalent) |
|       | 45 34251    | 0   | Resistor Spark Plug                      |
|       | 46 32643    | 0   | Gasket, Cylinder head                    |
|       | 47 30579A   | 0   | Head, Cylinder                           |
|       | 48 26073    | 0   | Washer, Connecting rod bolt              |
|       | 50 34215    | 0   | Breather Assy.                           |
|       | 51 30200    | 0   | Screw                                    |

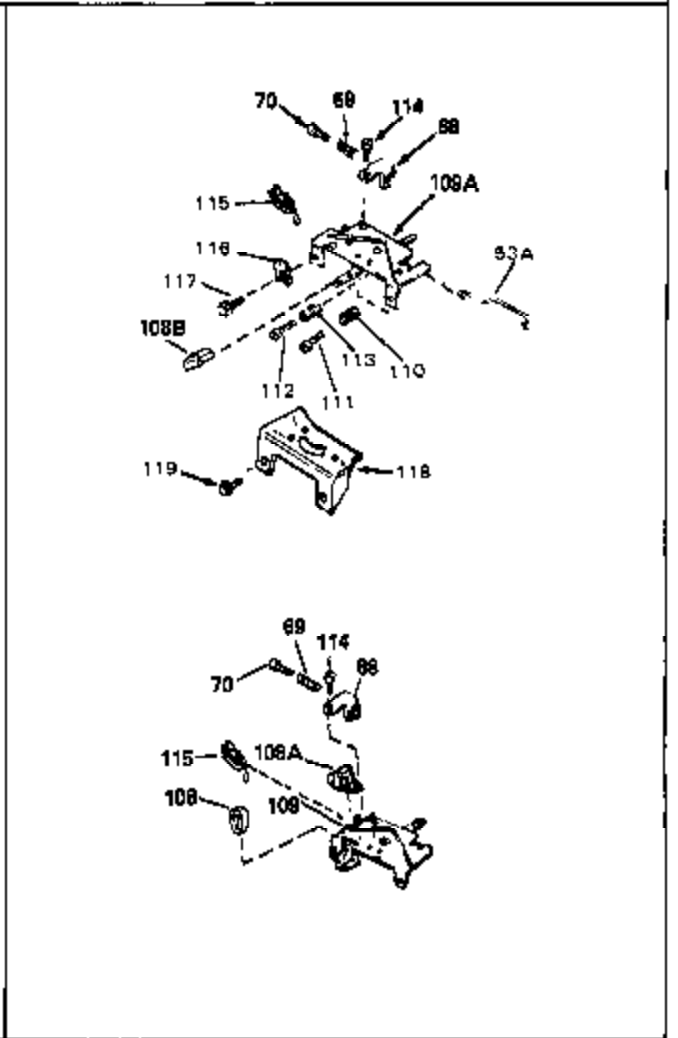
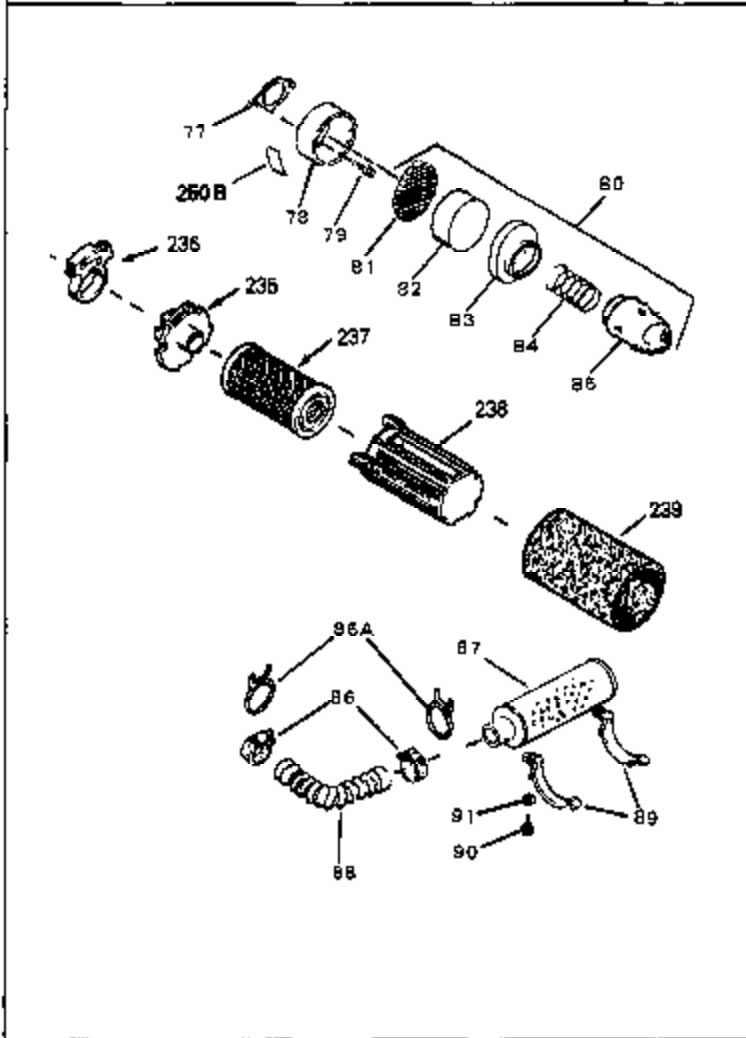
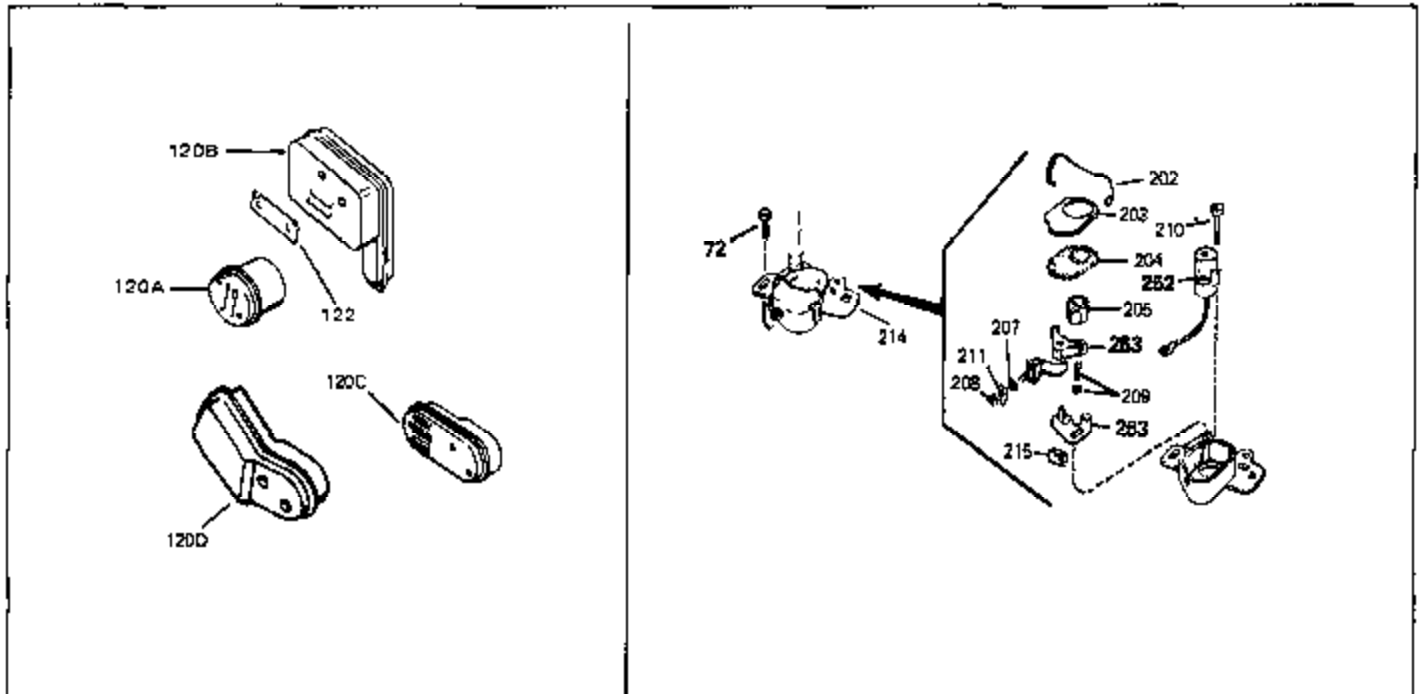
| Ref # | Part Number | Qty | Description                             |
|-------|-------------|-----|---|
| 52    | 32760       | 0   | Gasket, Breather                        |
| 54    | 33151       | 0   | Link, Governor spring                   |
| 55    | 32755       | 0   | Cover, Valve spring box                 |
| 56    | 27234       | 0   | Gasket, Breather cover                  |
| 57    | 30063       | 0   | Screw                                   |
| 59    | 32649       | 0   | Gasket, Intake                          |
| 60    | 31384A      | 0   | Pipe, Intake                            |
| 61    | 6201        | 0   | Screw                                   |
| 62    | 650451      | 0   | Screw                                   |
| 67    | 26756       | 0   | Gasket, Carburetor                      |
| 71    | 29752       | 0   | Nut                                     |
| 75    | 32972       | 0   | Cleaner, Air                            |
| 76    | 33168       | 0   | Clamp, Corbin                           |
| 99    | 650831      | 0   | Screw, Hex washer hd. Powerlok thread,  |
| 102   | 34118       | 0   | Cap, Fuel filler (Red Plastic) (Spurt   |
| 102   | 410144B     | 0   | Cap, Fuel filler (White Plastic) (Std.) |
| 103   | 29774       | 0   | Line, Fuel (Braided 8.25")              |
| 103   | 30705       | 0   | Line, Fuel (Braided 16")                |
| 103   | 34357       | 0   | Line, Fuel (Epichlorohydrin 6-3/4")     |
| 104   | 26460       | 0   | Clamp, Fuel line                        |
| 115   | 610973      | 0   | Terminal Assy.                          |
| 121   | 792005      | 0   | Screw, Hex hd., 1/4-20 x 2-1/2          |
| 124   | 650562      | 0   | Screw                                   |
| 125   | 30139       | 0   | "O" Ring                                |
| 125   | 34282       | 0   | "O" Ring (.612 I.D. x .812 O.D. x .103  |
| 126   | 32750       | 0   | Tube, Oil filler                        |
| 127   | 29985       | 0   | "O" Ring                                |
| 128   | 30140       | 0   | Dipstick, Oil (Screw In)                |
| 129   | 610118      | 0   | Cover, Spark plug                       |
| 130   | 650607      | 0   | Nut, Flywheel                           |
| 131   | 650815      | 0   | Washer, Belleville                      |
| 192A  | 0           | 0   | Rivet, Pop (3/16" Dia.)                 |
| 201   | 730207      | 0   | Magneto-to-Solid State Conversion Kit   |
| 251   | 631021      | 0   | Inlet Needle, Seat & Clip Assy.         |
| 255   | 631903      | 0   | Carburetor                              |
| 258   | 33238C      | 0   | Gasket Set                              |



| Ref # | Part Number | Qty | Description                                 |
|-------|-------------|-----|---|
|       | 1 33404A    | 0   | Cylinder Assy. (2-5/8" Bore)                |
|       | 2 26727     | 0   | Pin, Dowel                                  |
|       | 50 34215    | 0   | Breather Assy.                              |
|       | 51 30200    | 0   | Screw                                       |
|       | 52 32760    | 0   | Gasket, Breather                            |
|       | 63 650506   | 0   | Screw                                       |
|       | 64 631036   | 0   | Shutter, Throttle                           |
|       | 65 631530   | 0   | Shaft Assy., Throttle                       |
|       | 66 631066   | 0   | Spring, Return                              |
|       | 72 650489   | 0   | Screw                                       |
|       | 92A 34231   | 0   | Wire, Ground (One female fitting & one      |
|       | 115 610973  | 0   | Terminal Assy.                              |
|       | 181 33774   | 0   | Shaft, P.T.O.                               |
|       | 182 33401   | 0   | Gear, Worm                                  |
|       | 184 31745   | 0   | Washer, Tang                                |
|       | 185 31787   | 0   | Washer, Flat                                |
|       | 186 31749   | 0   | Ring, Retaining                             |
|       | 187 31744   | 0   | Seal, Oil                                   |
|       | 188 31747   | 0   | Washer, Thrust                              |
|       | 189 650492  | 0   | Screw                                       |
|       | 192A 0      | 0   | Rivet, Pop (3/16" Dia.)                     |
|       | 192 650737  | 0   | Screw, Hex washer hd. taptite, 1/4-20 x 1/2 |
|       | 193 650639  | 0   | Rivet, Open end                             |
|       | 252 30548B  | 0   | Condenser                                   |
|       | 253 30547A  | 0   | Contact Assy., Breaker                      |
|       | 254 610793  | 0   | Magneto, Tecumseh (w/ring gear)             |
|       | 256 590450A | 0   | Starter, Side mount rewind                  |



| Ref # | Part Number | Qty | Description                                 |
|-------|-------------|-----|---|
| 98    | 34076       | 0   | Housing, Blower                             |
| 99    | 650831      | 0   | Screw, Hex washer hd. Powerlok thread,      |
| 102   | 34118       | 0   | Cap, Fuel filler (Red Plastic) (Spurt       |
| 102   | 410144B     | 0   | Cap, Fuel filler (White Plastic) (Std.)     |
| 105   | 27275       | 0   | Clip, Hi-tension wire                       |
| 130   | 650607      | 0   | Nut, Flywheel                               |
| 131   | 650815      | 0   | Washer, Belleville                          |
| 132   | 32237       | 0   | Screen, Flywheel                            |
| 175   | 34077       | 0   | Knob, Control                               |
| 176   | 650627      | 0   | Screw                                       |
| 177   | 32309       | 0   | Ring, Retainer                              |
| 178   | 650626      | 0   | Washer, Flat                                |
| 179   | 32308       | 0   | Spring, Compression                         |
| 180   | 34074       | 0   | Lever, Carburetor control                   |
| 192   | 650737      | 0   | Screw, Hex washer hd. taptite, 1/4-20 x 1/2 |
| 250A  | 34346       | 0   | Decal, Instruction                          |





| Ref # | Part Number | Qty | Description                                |
|-------|-------------|-----|--|
| 53A   | 33133       | 0   | Link, Throttle                             |
| 109A  | 34073A      | 0   | Control Assy., Speed                       |
| 110   | 33802       | 0   | Spring Compression                         |
| 111   | 650777      | 0   | Screw, Slotted fil. hd. mach., 6-32 x 7/16 |
| 112   | 650549      | 0   | Screw                                      |
| 113   | 31342       | 0   | Spring, Compression                        |
| 114   | 30200       | 0   | Screw                                      |
| 115   | 610973      | 0   | Terminal Assy.                             |
| 120B  | 33556       | 0   | Muffler                                    |
| 122   | 33753       | 0   | Plate, Lock                                |
| 239   | 35435       | 0   | Filter, Pre-Air (Poly)                     |
| 252   | 30548B      | 0   | Condenser                                  |
| 253   | 30547A      | 0   | Contact Assy., Breaker                     |