

| Ref # | Part Number | Qty | Description |
|-------|-------------|-----|--|
| | 1 35180 | 0 | Cylinder Assy. |
| | 2 26727 | 0 | Pin, Dowel |
| | 3 32323 | 0 | Washer, Thrust (.010" thick) |
| | 4 32600 | 0 | Seal, Oil |
| | 5 29313C | 0 | Valve, Exhaust (Standard) (Conventional |
| | 5 29315C | 0 | Valve, Exhaust (1/32" oversize) |
| | 6 29314B | 0 | Valve, Intake (Standard) (Conventional |
| | 6 29315C | 0 | Valve, Exhaust (1/32" oversize) |
| | 8 31671 | 0 | Cap, Upper valve spring |
| | 9 31672 | 0 | Spring, Valve |
| | 10 31673 | 0 | Cap, Lower valve spring |
| | 11 35166 | 0 | Crankshaft Assy. |
| | 12 29783 | 0 | Pin, Crankshaft gear |
| | 13 27613 | 0 | Gear, Crankshaft |
| | 14 34851 | 0 | Piston, Pin & Ring Assy. (Std.) (2-5/8") |
| | 14 34852 | 0 | Piston, Pin & Ring Assy. (.010 oversize) |
| | 14 34853 | 0 | Piston, Pin & Ring Assy. (.020 oversize) |
| | 14A 32603B | 0 | Piston & Pin Assy. (Std.) (2-5/8") |
| | 14A 32604B | 0 | Piston & Pin Assy. (.010 oversize) |
| | 14A 32605B | 0 | Piston & Pin Assy. (.020 oversize) |
| | 15 34854 | 0 | Ring Set, Piston (Standard) (2-5/8") |
| | 15 34855 | 0 | Ring Set, Piston (.010 oversize) |
| | 15 34856 | 0 | Ring Set, Piston (.020 oversize) |
| | 16 20381 | 0 | Ring, Piston pin retaining |
| | 17 30963B | 0 | Rod Assy., Connecting |
| | 18A 32610A | 0 | Bolt, Connecting rod |
| | 21A 27241 | 0 | Lifter, Valve |
| | 21 27241 | 0 | Lifter, Valve |
| | 22 33553 | 0 | Camshaft (Mechanical Compression Release) |
| | 23 29914 | 0 | Pump Assy., Oil |
| | 24 35261 | 0 | Gasket, Mounting flange |
| | 25 34311B | 0 | Flange Assy., Mounting |
| | 26 27897 | 0 | Seal, Oil |
| | 28 27244 | 0 | Plug, Oil drain |
| | 30 650488 | 0 | Screw |
| | 31 30590A | 0 | Washer, Flat |
| | 32 30574 | 0 | Shaft, Mechanical governor |
| | 33 30591 | 0 | Gear Assy., Governor |
| | 34 29193 | 0 | Ring, Retaining |
| | 35 30588A | 0 | Spool, Governor |
| | 36 31335 | 0 | Clamp, Governor lever |
| | 37 28277 | 0 | Washer, Flat |
| | 38 650548 | 0 | Screw, Hex washer hd., 8-32 x 5/16 |
| | 39 31383A | 0 | Lever, Governor |
| | 40 31361 | 0 | Spring, Governor |
| | 41 30589 | 0 | Rod, Governor |
| | 43 611004 | 0 | Key, Flywheel (External Solid State -Gold) |
| | 44 650694A | 0 | Screw, Hex flange hd., 5/16-18 x 2 |
| | 44A 6021A | 0 | Screw, Hex flange hd., 5/16-18 x 1-1/2 |
| | 45 35395 | 0 | Plug, Spark (Champion RJ-19LM or equivalent) |
| | 46 33015 | 0 | Gasket, Cylinder head |
| | 47 34342 | 0 | Head, Cylinder |
| | 48 26073 | 0 | Washer, Connecting rod bolt |
| | 50 34215 | 0 | Breather Assy. |
| | 51 30200 | 0 | Screw |
| | 52 32760 | 0 | Gasket, Breather |
| | 53 34336 | 0 | Link, Governor-to-throttle |
| | 54 34337 | 0 | Link, Governor spring |

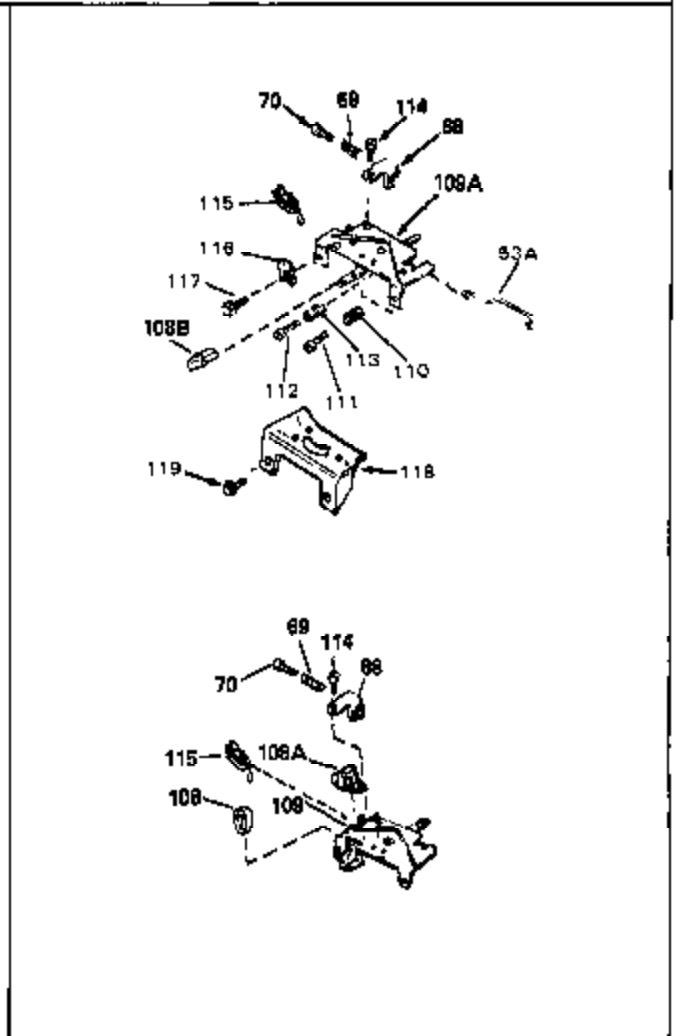
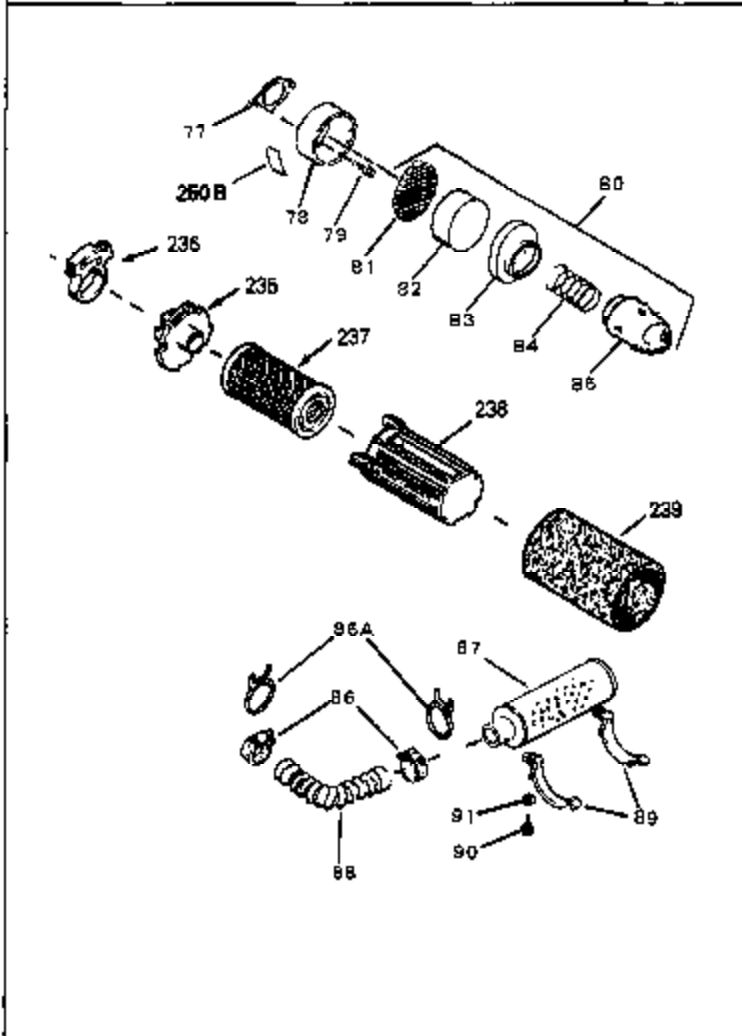
| Ref # | Part Number | Qty | Description |
|-------|-------------|-----|--|
| | 55 32755 | 0 | Cover, Valve spring box |
| | 56 27234 | 0 | Gasket, Breather cover |
| | 57 650128 | 0 | Screw |
| | 59 34690 | 0 | Gasket, Intake |
| | 60 31384A | 0 | Pipe, Intake |
| | 61 6201 | 0 | Screw |
| | 62 650451 | 0 | Screw |
| | 67 26756 | 0 | Gasket, Carburetor |
| | 71 29752 | 0 | Nut |
| 98C | 35394 | 0 | Housing, Blower |
| | 99 650831 | 0 | Screw, Hex washer hd. Powerlok thread, |
| | 100 30200 | 0 | Screw |
| | 102 34118 | 0 | Cap, Fuel filler (Red Plastic) (Spurt |
| | 102 410144B | 0 | Cap, Fuel filler (White Plastic) (Std.) |
| | 103 29774 | 0 | Line, Fuel (Braided 8.25") |
| | 103 30705 | 0 | Line, Fuel (Braided 16") |
| | 103 34357 | 0 | Line, Fuel (Epichlorohydrin 6-3/4") |
| | 104 26460 | 0 | Clamp, Fuel line |
| 105A | 30593 | 0 | Clip, Magneto wire |
| | 115 610973 | 0 | Terminal Assy. |
| | 121 650869 | 0 | Screw, Hex hd., 1/4-20 x 2-3/4 |
| | 124 650562 | 0 | Screw |
| | 125 34265 | 0 | Gasket, Oil fill tube |
| | 125 34282 | 0 | "O" Ring (.612 I.D. x .812 O.D. x .103 |
| | 126 34264 | 0 | Tube Assy., Oil fill (Plastic) |
| | 127 33590 | 0 | "O" Ring |
| | 128 34267 | 0 | Dipstick, Oil (Twist Lock) |
| | 129 610118 | 0 | Cover, Spark plug |
| | 130 650816 | 0 | Nut, Flywheel |
| | 131 650815 | 0 | Washer, Belleville |
| 132C | 35000 | 0 | Hub, Starter |
| 134B | 35392 | 0 | Plug, Starter |
| | 161 34353 | 0 | Primer Assy. |
| | 162 32180C | 0 | Line, Primer |
| | 165 34080 | 0 | Spacer, Flywheel key |
| 192A | 0 | 0 | Rivet, Pop (3/16" Dia.) |
| | 199 650814 | 0 | Screw, Hex hd. Sems, 10-24 x 1 |
| | 200 611046A | 0 | Flywheel |
| | 201 34443A | 0 | Solid State Assy. |
| | 201 730207 | 0 | Magneto-to-Solid State Conversion Kit |
| | 221 35015A | 0 | Bracket Assy., S.E. Brake |
| | 223 34966 | 0 | Link, Control |
| | 224 34965 | 0 | Spring, Extension |
| | 225 34968 | 0 | Lever, Brake |
| | 226 32309 | 0 | Ring, Retainer |
| | 227 650839 | 0 | Screw, Hex washer hd. Powerlok, 1/4-20 x 3/8 |
| | 251 631021 | 0 | Inlet Needle, Seat & Clip Assy. |
| | 255 632053 | 0 | Carburetor |
| | 258 33238C | 0 | Gasket Set |



| Ref # | Part Number | Qty | Description |
|-------|-------------|-----|--|
| 1 | 35180 | 0 | Cylinder Assy. |
| 2 | 26727 | 0 | Pin, Dowel |
| 50 | 34215 | 0 | Breather Assy. |
| 51 | 30200 | 0 | Screw |
| 52 | 32760 | 0 | Gasket, Breather |
| 63 | 650506 | 0 | Screw |
| 64 | 631036 | 0 | Shutter, Throttle |
| 65 | 631530 | 0 | Shaft Assy., Throttle |
| 66 | 631066 | 0 | Spring, Return |
| 92A | 34961 | 0 | Wire, Ground (One female & one male fitting) |
| 115 | 610973 | 0 | Terminal Assy. |
| 165 | 34080 | 0 | Spacer, Flywheel key |
| 192A | 0 | 0 | Rivet, Pop (3/16" Dia.) |
| 192 | 650884 | 0 | Screw, Hex washer hd., 8-32 x 1/2 |
| 198A | 35168 | 0 | Bracket Assy., Rope guide |
| 228 | 34985 | 0 | Rope Stop & Staple Assy. |



| Ref # | Part Number | Qty | Description |
|-------|-------------|-----|---|
| 99 | 650831 | 0 | Screw, Hex washer hd. Powerlok thread, |
| 100 | 30200 | 0 | Screw |
| 101A | 34268 | 0 | Tank Assy., Fuel (Red Poly) (1-1/2 qts.) |
| 102 | 34118 | 0 | Cap, Fuel filler (Red Plastic) (Spurt |
| 102 | 410144B | 0 | Cap, Fuel filler (White Plastic) (Std.) |
| 130 | 650816 | 0 | Nut, Flywheel |
| 131 | 650815 | 0 | Washer, Belleville |
| 134B | 35392 | 0 | Plug, Starter |
| 175 | 34266 | 0 | Knob, Control |
| 176 | 650627 | 0 | Screw |
| 177 | 32309 | 0 | Ring, Retainer |
| 178 | 650626 | 0 | Washer, Flat |
| 179 | 32308 | 0 | Spring, Compression |
| 180 | 34074 | 0 | Lever, Carburetor control |
| 192 | 650884 | 0 | Screw, Hex washer hd., 8-32 x 1/2 |
| 194 | 35212 | 0 | Cover, Engine (Starter Side) |
| 195 | 34269 | 0 | Cover, Engine (Carb. side) |
| 196 | 650803 | 0 | Screw, Hex washer hd. self-tap, 10-32 x 7/8 |
| 197 | 34272 | 0 | Ring, Grill |
| 250 | 35170 | 0 | Decal, Instruction |
| 250J | 34273 | 0 | Decal, Control |
| 256C | 590621 | 0 | Starter, Rewind |



| Ref # | Part Number | Qty | Description |
|-------|-------------|-----|--|
| | 86 35068 | 0 | Clamp, Hose |
| | 87 32796 | 0 | Filter, Air cleaner |
| | 88 33142 | 0 | Tube, Air intake |
| | 89 32797 | 0 | Retainer, Air cleaner |
| | 90 650822 | 0 | Screw, Hex hd. self-tap, 1/4-15 x 1/2 |
| 109A | 34073A | 0 | Control Assy., Speed |
| | 110 33802 | 0 | Spring Compression |
| | 111 650777 | 0 | Screw, Slotted fil. hd. mach., 6-32 x 7/16 |
| | 112 650549 | 0 | Screw |
| | 113 31342 | 0 | Spring, Compression |
| | 114 30200 | 0 | Screw |
| | 115 610973 | 0 | Terminal Assy. |
| | 118 35176 | 0 | Cover, Speed control |
| 120A | 35172 | 0 | Muffler |
| | 122 35171 | 0 | Plate, Lock |
| | 239 35435 | 0 | Filter, Pre-Air (Poly) |