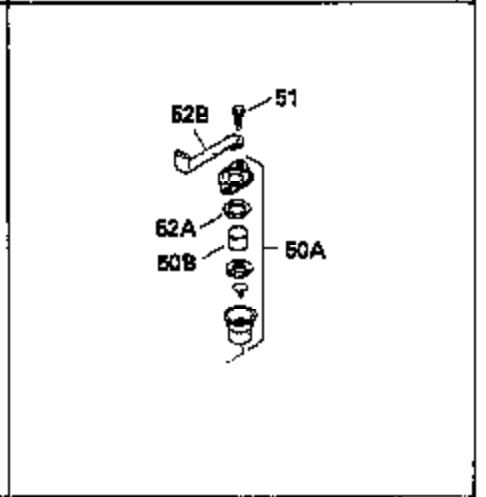
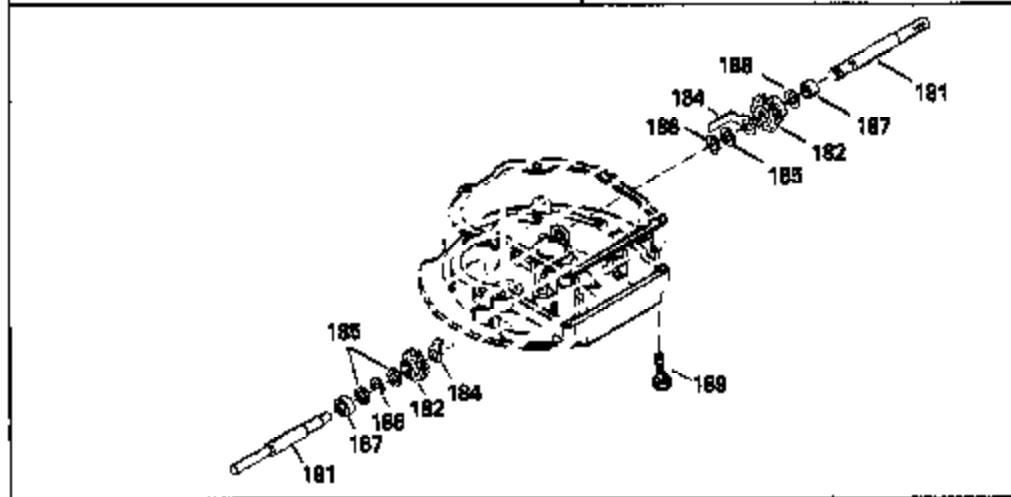
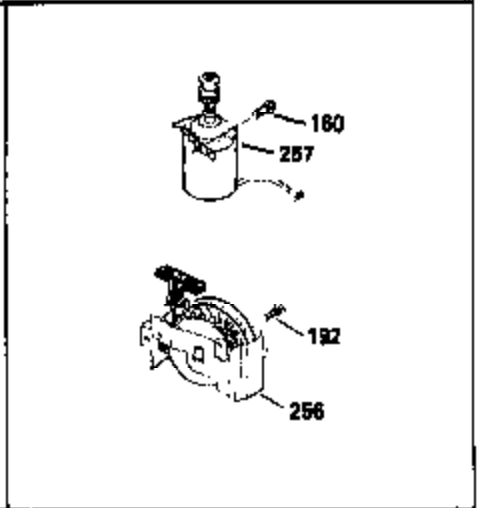
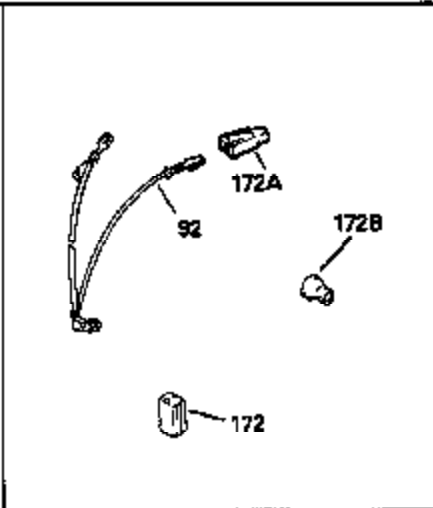
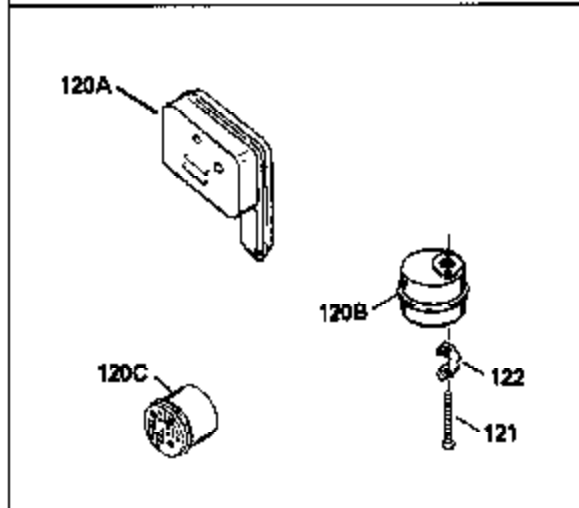
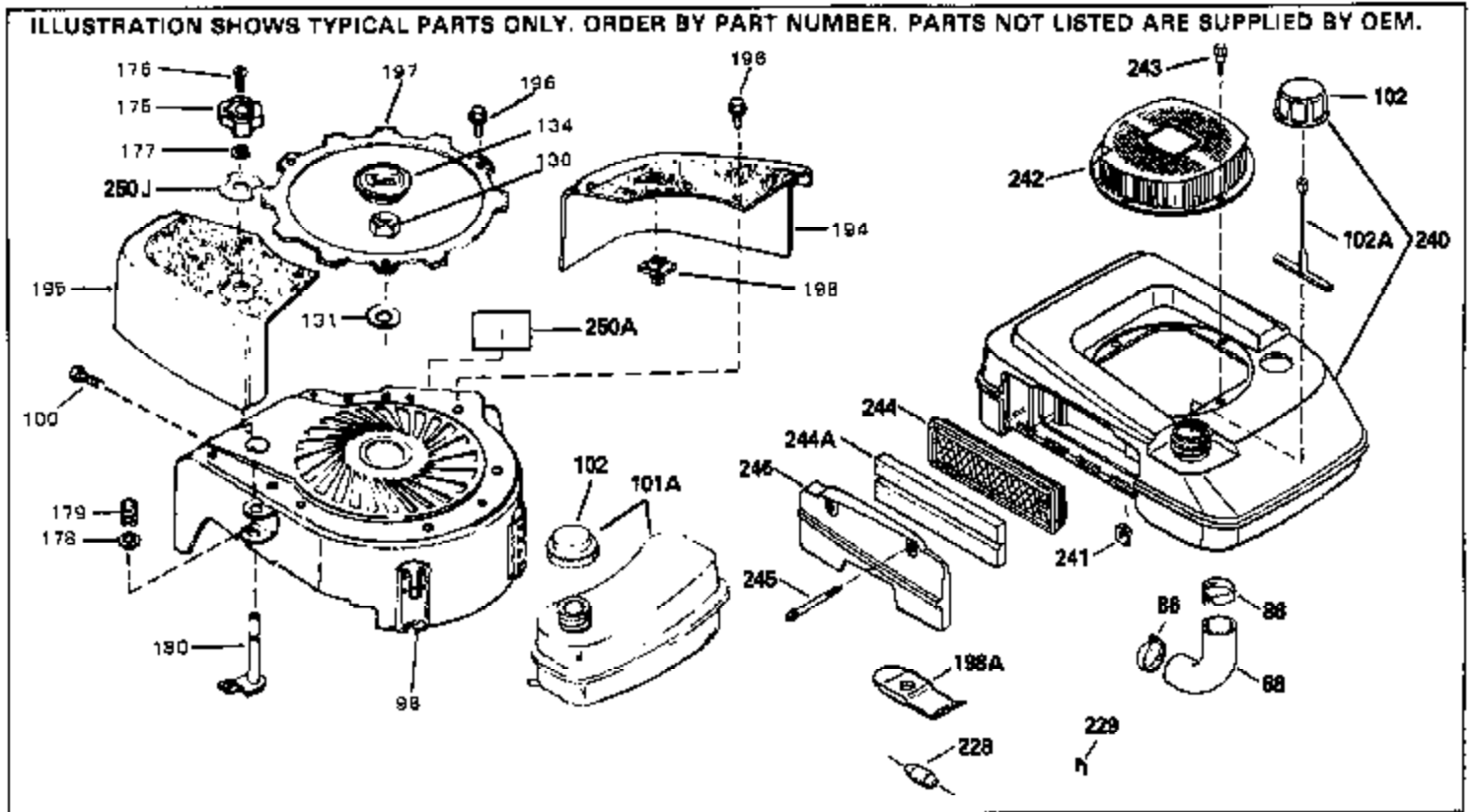


ILLUSTRATION SHOWS TYPICAL PARTS ONLY. ORDER BY PART NUMBER. PARTS NOT LISTED ARE SUPPLIED BY OEM.



| Ref # | Part Number | Qty | Description  |
|-------|-------------|-----|--|
| 1     | 34959       |     | Cylinder (Incl. 2, 4, 50, 51 & 52) (2 -5/8")             |
| 2     | 26727       |     | Pin, Dowel   |
| 3     | 32323       |     | Washer, Thrust   |
| 4     | 32600       |     | Seal, Oil  |
| 5     | 29313C      |     | Exhaust Valve (Std.) (Incl. 10) (Conventional Ports)     |
| 5     | 29315C      |     | Exhaust Valve (1/32" OS) (Incl. 10) (Conventional Ports) |
| 6     | 29314B      |     | Intake Valve (Std.) (Incl. 10) (Conventional Ports)      |
| 6     | 29315C      |     | Intake Valve (1/32" OS) (Incl. 10) (Conventional Ports)  |
| 9     | 31672       |     | Spring, Valve  |
| 10    | 31673       |     | Cap, Lower valve spring                                  |
| 11    | 35175       |     | Crankshaft   |
| 14    | 35544       |     | Piston, Pin & Ring Set (Std.) (2-5/8" Bore)              |
| 14    | 35545       |     | Piston, Pin & Ring Set (.010" OS)                        |
| 14    | 35546       |     | Piston, Pin & Ring Set (.020" OS)                        |
| 14A   | 35541       |     | Piston & Pin Ass'y. (Incl. 16)(Std.)( 2-5/8")            |
| 14A   | 35542       |     | Piston & Pin Ass'y. (Incl. 16) (.010" OS)                |
| 14A   | 35543       |     | Piston & Pin Ass'y. (Incl. 16) (.020" OS)                |
| 15    | 35547       |     | Ring Set (Std.) (2-5/8" Bore)                            |
| 15    | 35548       |     | Ring Set (.010" OS)                                      |
| 15    | 35549       |     | Ring Set (.020" OS)                                      |
| 16    | 20381       |     | Ring, Piston pin retaining                               |
| 17    | 30963B      |     | Rod Assy., Connecting (Incl. 18)                         |
| 18    | 32610A      |     | Bolt, Connecting rod                                     |
| 21    | 27241       |     | Lifter, Exhaust valve                                    |
| 22    | 33148A      |     | Camshaft   |
| 23    | 29914       |     | Pump Assy.   |
| 24    | 35261       |     | * Gasket, Mounting flange                                |
| 25    | 34311B      |     | Flange Ass'y. (Incl. 26, 28, 29 & 32)                    |
| 26    | 27897       |     | Seal, Oil  |
| 27    | 28833       |     | * Drain Plug Gasket (Not req. w/plastic plug)            |
| 28    | 30572       |     | Plug, Oil drain  |
| 30    | 650488      |     | Screw, 1/4-20 x 1-1/4"                                   |
| 31    | 30590A      |     | Washer, Flat   |
| 32    | 30574       |     | Shaft, Mechanical governor                               |
| 33    | 30591       |     | Gear Assy., Governor (Incl. 31)                          |
| 34    | 29193       |     | Ring, Retaining  |
| 35    | 30588A      |     | Spool, Governor  |
| 36    | 31335       |     | Clamp, Governor lever                                    |
| 37    | 28277       |     | Washer, Flat   |
| 38    | 650548      |     | Screw, 8-32 x 5/16"                                      |
| 39    | 31383A      |     | Lever, Governor  |
| 40    | 31361       |     | Spring, Governor   |
| 41    | 30589       |     | Rod, Governor (Incl. 37)                                 |
| 43    | 611004      |     | Key, Flywheel  |
| 44    | 6021A       |     | Screw, 5/16-18 x 1-1/2"                                  |
| 45    | 35395       |     | Resistor Spark Plug (RJ-19LM)                            |
| 46    | 33015       |     | * Gasket, Cylinder head                                  |
| 47    | 34342       |     | Head, Cylinder   |
| 50    | 34215       |     | Breather Assy. (Incl. 51 & 52)                           |
| 51    | 30200       |     | Screw, 10-24 x 9/16"                                     |
| 52    | 32760       |     | * Gasket, Breather                                       |
| 53    | 34336       |     | Link, Governor-to-throttle                               |
| 54    | 34337       |     | Link, Governor spring                                    |
| 55    | 32755       |     | Cover, Valve spring box                                  |
| 56    | 27234       |     | * Gasket, Valve spring cover                             |
| 57    | 650128      |     | Screw, 10-24 x 1/2"                                      |
| 59    | 34690       |     | * Gasket, Intake   |
| 60    | 31384A      |     | Pipe, Intake (Incl. 59)                                  |

| Ref # | Part Number | Qty | Description  |
|-------|-------------|-----|--|
| 61    | 6201        |     | Screw, 1/4-28 x 7/8"   |
| 62    | 650451      |     | Screw, 1/4-20 x 1"   |
| 67    | 26756       |     | * Gasket, Carburetor   |
| 71    | 29752       |     | Nut & Lockwasher, 1/4-28   |
| 98A   | 35478       |     | Housing, Blower  |
| 99    | 650831      |     | Screw, 1/4-20 x 1/2"   |
| 100   | 30200       |     | Screw, 10-24 x 9/16"   |
| 102   | 35355       |     | Fuel Cap   |
| 103   | 34357       |     | Fuel Line (Epichlorohydrin 6-3/4")   |
| 104   | 26460       |     | Clamp, Fuel line   |
| 108   | 32410       |     | Knob, Speed control  |
| 109   | 33205A      |     | Control Bracket (Incl. 110,111,112,113 & 115)                                  |
| 110   | 33802       |     | Spring, Compression  |
| 111   | 650777      |     | Screw, 6-32 x 17/32"   |
| 112   | 650549      |     | Screw, 6-50 x 7/16"  |
| 113   | 31342       |     | Spring, Compression  |
| 114   | 30200       |     | Screw, 10-24 x 9/16"   |
| 121   | 650795      |     | Screw, 1/4-20 x 2-1/4"   |
| 124   | 650562      |     | Screw, 10-32 x 1/2"  |
| 125   | 34265       |     | Gasket, Oil fill tube  |
| 126   | 35577       |     | Tube Assy., Oil filler   |
| 127   | 35499       |     | "O" Ring   |
| 128   | 35578       |     | Dipstick, Oil  |
| 130   | 650816      |     | Nut, Flywheel  |
| 131   | 650815      |     | Washer, Belleville   |
| 132   | 35000       |     | Hub, Starter   |
| 134A  | 35392       |     | Plug, Starter  |
| 165   | 34080       |     | Spacer, Flywheel Key   |
| 192   | 650884      |     | Screw, 8-32 x 1/2"   |
| 199   | 650814      |     | Screw, 10-24 x 1"  |
| 200   | 611112      |     | Flywheel   |
| 201   | 34443A      |     | Solid State Assy.  |
| 221   | 35015A      |     | Bracket Assy., S.E. Brake  |
| 223   | 34966       |     | Link, Control  |
| 224   | 34965       |     | Spring, Extension  |
| 225   | 34968       |     | Lever, Brake   |
| 226   | 32309       |     | Ring, Retaining  |
| 226A  | 610973      |     | Terminal Assy.   |
| 227   | 650839      |     | Screw, 1/4-20 x 3/8"   |
| 235   | 35067       |     | Collar, Air cleaner  |
| 236   | 35068       |     | Clamp, Air cleaner   |
| 237   | 35066       |     | Element, Air cleaner   |
| 238   | 35065       |     | Cover, Air cleaner   |
| 239   | 35435       |     | Filter, Pre-air (Use as required) (Po ly)                                      |
| 250D  | 35167       |     | Decal, Control   |
| 251   | 631021      |     | Inlet Needle, Seat & Clip Assy.  |
| 255   | 632388      |     | Carburetor (Incl. 67) (Refer to Division 5, Section A, page 196 for breakdown) |
| 256A  | 590621      |     | Rewind Starter (Refer to Division 5, Section C, page 34 for breakdown)         |
| 258   | 33238B      |     | * Gasket Set (Incl. items marked *)  |



| Ref # | Part Number | Qty | Description                 |
|-------|-------------|-----|-----------------------------|
| 51    | 30200       |     | Screw, 10-24 x 9/16"        |
| 92    | 34961       |     | Ground Wire                 |
| 100   | 30200       |     | Screw, 10-24 x 9/16"        |
| 101A  | 35586       |     | Fuel Tank (Incl. 102 & 104) |
| 102   | 35355       |     | Fuel Cap                    |
| 120C  | 27181B      |     | Muffler (Incl. 121)         |
| 121   | 650795      |     | Screw, 1/4-20 x 2-1/4"      |
| 130   | 650816      |     | Nut, Flywheel               |
| 131   | 650815      |     | Washer, Belleville          |
| 192   | 650884      |     | Screw, 8-32 x 1/2"          |
| 198A  | 35168       |     | BracketAssy., Rope guide    |
| 228   | 34985       |     | Rope Stop & Staple Assy.    |