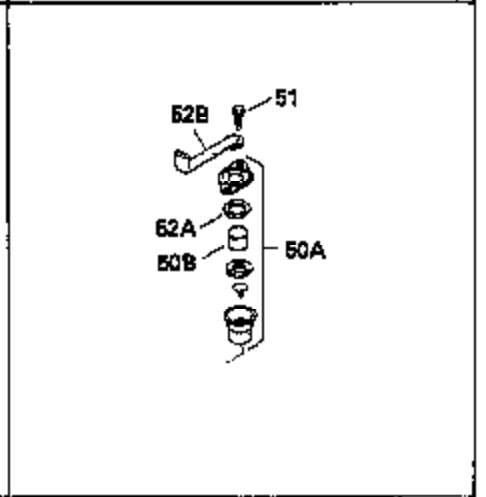
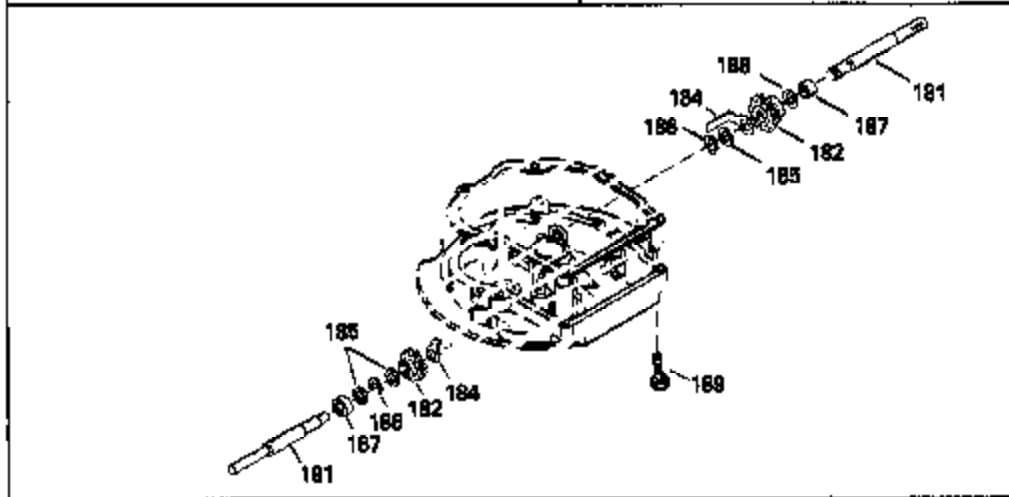
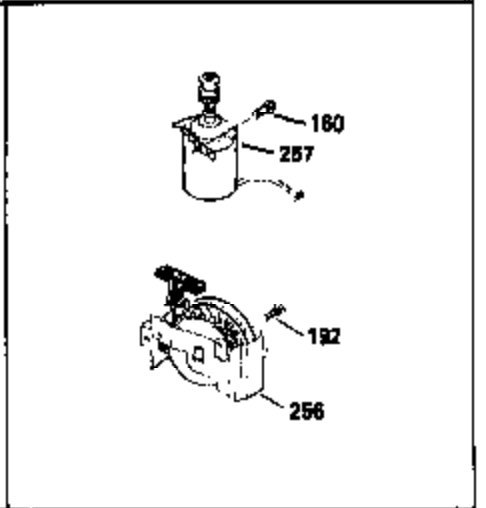
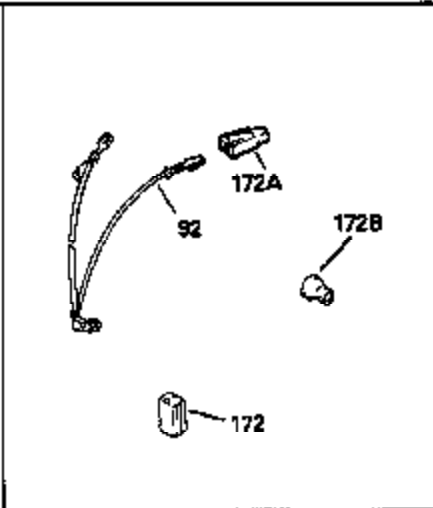
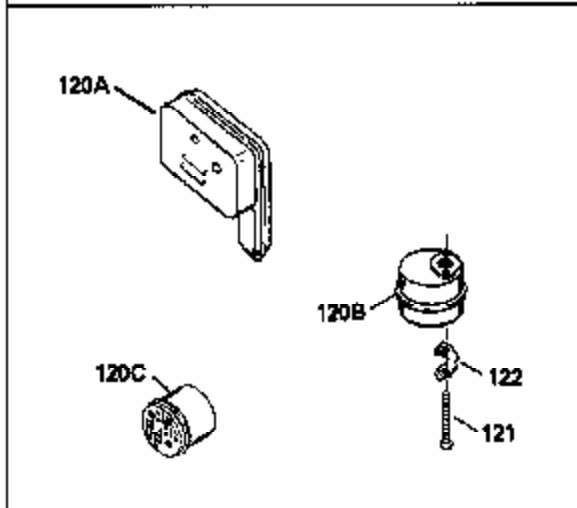
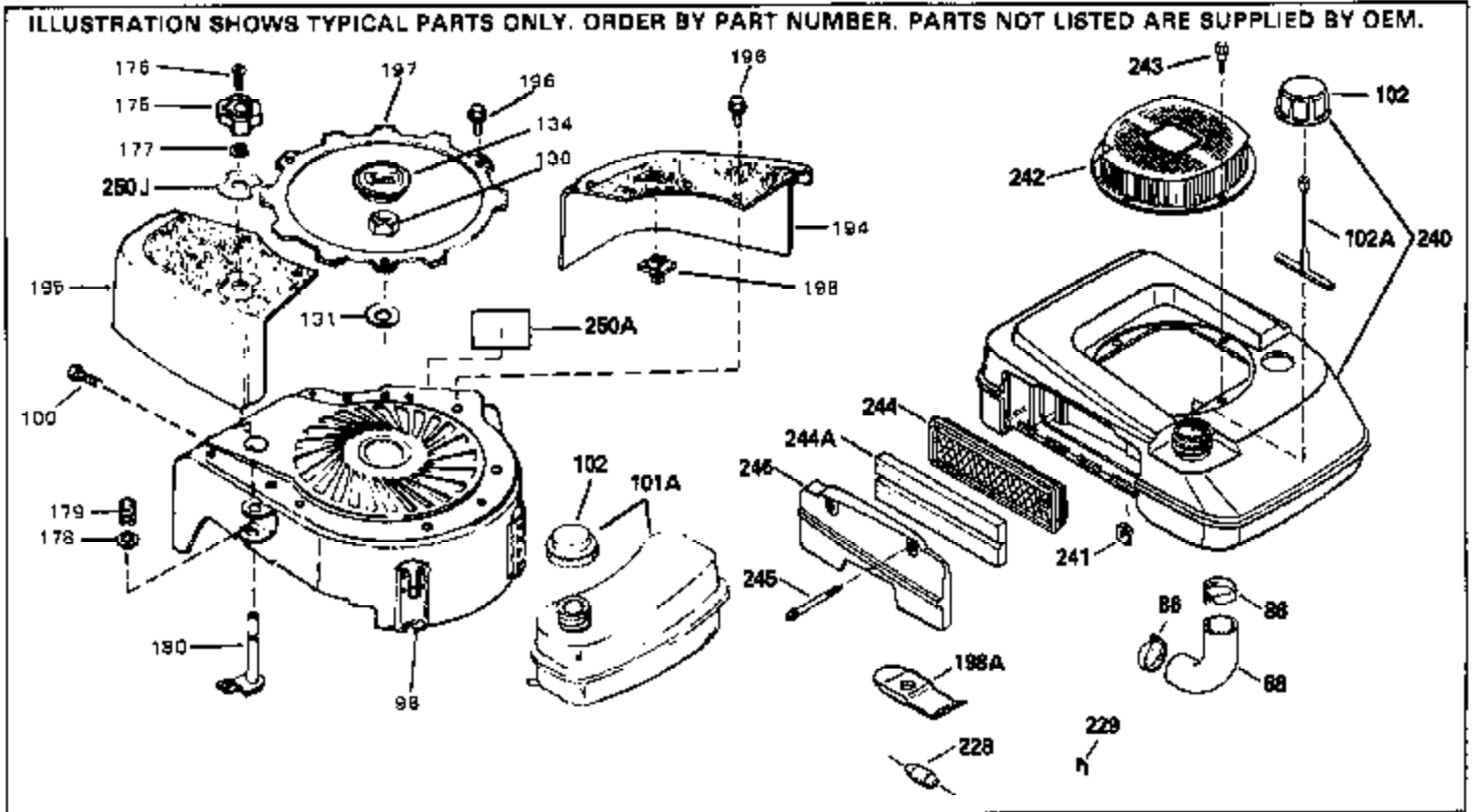


ILLUSTRATION SHOWS TYPICAL PARTS ONLY. ORDER BY PART NUMBER. PARTS NOT LISTED ARE SUPPLIED BY OEM.



Ref #	Part Number	Qty	Description
1	35180		Cylinder Ass'y. (Incl. 2 & 4)
2	26727		Dowel Pin
3	32323		Washer
4	32600		Oil Seal
5	29313C		Exhaust Valve (Std.) (Incl. 10)
5	29315C		Exhaust Valve (1/32" OS) (Incl. 10)
6	29314B		Intake Valve (Std.) (Incl. 10)
6	29315C		Intake Valve (1/32" OS) (Incl. 10)
9	31672		Valve Spring
10	31673		Lower Valve Spring Cap
11	35175		Crankshaft
14A	35541		Piston & Pin Ass'y. (Std.) (Incl. 16)
14A	35542		Piston & Pin Ass'y. (.010 OS) (Incl. 16)
14A	35543		Piston & Pin Ass'y. (.020 OS) (Incl. 16)
14	35544		Piston, Pin & Ring Set (Std.)
14	35545		Piston, Pin & Ring Set (.010 OS)
14	35546		Piston, Pin & Ring Set (.020 OS)
15	35547		Ring Set (Std.)
15	35548		Ring Set (.010 OS)
15	35549		Ring Set (.020 OS)
16	20381		Piston Pin Retaining Ring
17	30963B		Connecting Rod (Incl. 18)
18	32610A		Connecting Rod Bolt
21	27241		Valve Lifter
22	33553		Camshaft (Mech. Compression Release)
23	29914		Oil Pump Ass'y.
24	35261		* Mounting Flange Gasket
25	34311B		Mounting Flange (Incl. 26, 28, 29 & 3 2)
26	27897		Oil Seal
27	28833		* Oil Drain Plug Gasket
28	30572		Oil Drain Plug
30	650488		Screw, 1/4-20 x 1-1/4"
31	35479		Washer
32	30574		Mechanical Governor Shaft
33	30591		Governor Gear Ass'y. (Incl. 31)
34	29193		Retaining Ring
35	30588A		Governor Spool
36	31335		Governor Lever Clamp
37	28277		Washer
38	650548		Screw, 8-32 x 5/16"
39	31383A		Governor Lever
40	31361		Governor Spring
41	30589		Governor Rod (Incl. 37)
43	611004		Flywheel Key
44	6021A		Screw, 5/16-18 x 1-1/2"
45	35395		Resistor Spark Plug (RJ19LM)
46	33015A		* Cylinder Head Gasket
47	34342		Cylinder Head
50	34215		Breather Ass'y. (Incl. 51 & 52)
51	30200		Screw, 10-24 x 9/16"
52	32760A		* Breather Gasket
53	34336		Governor-to-Throttle Link
54	34337		Governor Link
55	32755		Valve Spring Box Cover
56	27234A		* Valve Spring Cover Gasket
57	650128		Screw, 10-24 x 1/2"
59	34690A		* Intake Gasket
60	31384A		Intake Pipe (Incl. 59)

Ref #	Part Number	Qty	Description
61	6201		Screw, 1/4-28 x 7/8"
62	650451		Screw, 1/4-20 x 1"
67	26756		* Carburetor Gasket
71	29752		Nut, 1/4-28
97	28763		Screw, 10-32 x 19/32"
98A	35393		Blower Housing
99	650831		Screw, 1/4-20 x 15/32"
100	30200		Screw, 10-24 x 9/16"
101	34369A		Fuel Tank (Incl. 102 & 104)
102	35355		Fuel Cap
103	30705		Fuel Line
104	26460		Fuel Line Clamp
108	32410		Control Knob
109	35727		Control Bracket (Incl. 110 thru 113)
110	33802		Compression Spring
111	650777		Screw, 6-32 x 21/32"
112	650549		Screw, 5-40 x 7/16"
113	31342		Compression Spring
114	30200		Screw, 10-24 x 9/16"
118	35176		Control Cover
119	650807		Screw, 10-32 x 7/16"
121	650869		Screw, 1/4-20 x 2-3/4"
122	35171		Locking Plate
124	650562		Screw, 10-32 x 1/2"
125	34265		Fill Tube Gasket
126	35577		Oil Fill Tube
127	35499		"O" Ring
128	35578		Dipstick
129	610118		Spark Plug Cover
130	650816		Flywheel Nut
131	650815		Belleville Washer
132	35000		Starter Cup
134A	35392		Starter Plug
165	34080		Flywheel Key Spacer
192	650884		Screw, 8-32 x 1/2"
199	650814		10-24 x 1"
200	611112		Flywheel
201	34443A		Solid State Ignition
221	35015A		Brake Bracket Ass'y.
223	34966		Control Link
224	34965		Extension Spring
225	34968		Brake Lever
226	32309		Retaining Ring
226A	610973		Terminal
227	650839		Screw, 1/4-20 x 3/8"
235	35067		Air Cleaner Collar
236	35068		Air Cleaner Clamp
237	35066		Air Cleaner Filter
238	35065		Air Cleaner Cover
255	632389		Carburetor (Incl. 67)
256A	590621		Rewind Starter
258	33238D		Gasket Set (Incl. items marked *)



Ref #	Part Number	Qty	Description
51	30200		Screw, 10-24 x 9/16"
92	34961		Ground Wire
100	30200		Screw, 10-24 x 9/16"
102A	35480		Fuel Cap Retainer
102	35355		Fuel Cap
120B	35172		Muffler (Incl. 122)
121	650869		Screw, 1/4-20 x 2-3/4"
122	35171		Locking Plate
130	650816		Flywheel Nut
131	650815		Belleville Washer
192	650884		Screw, 8-32 x 1/2"
198A	35168		Rope Guide Bracket
228	34985		Starter Rope Retainer