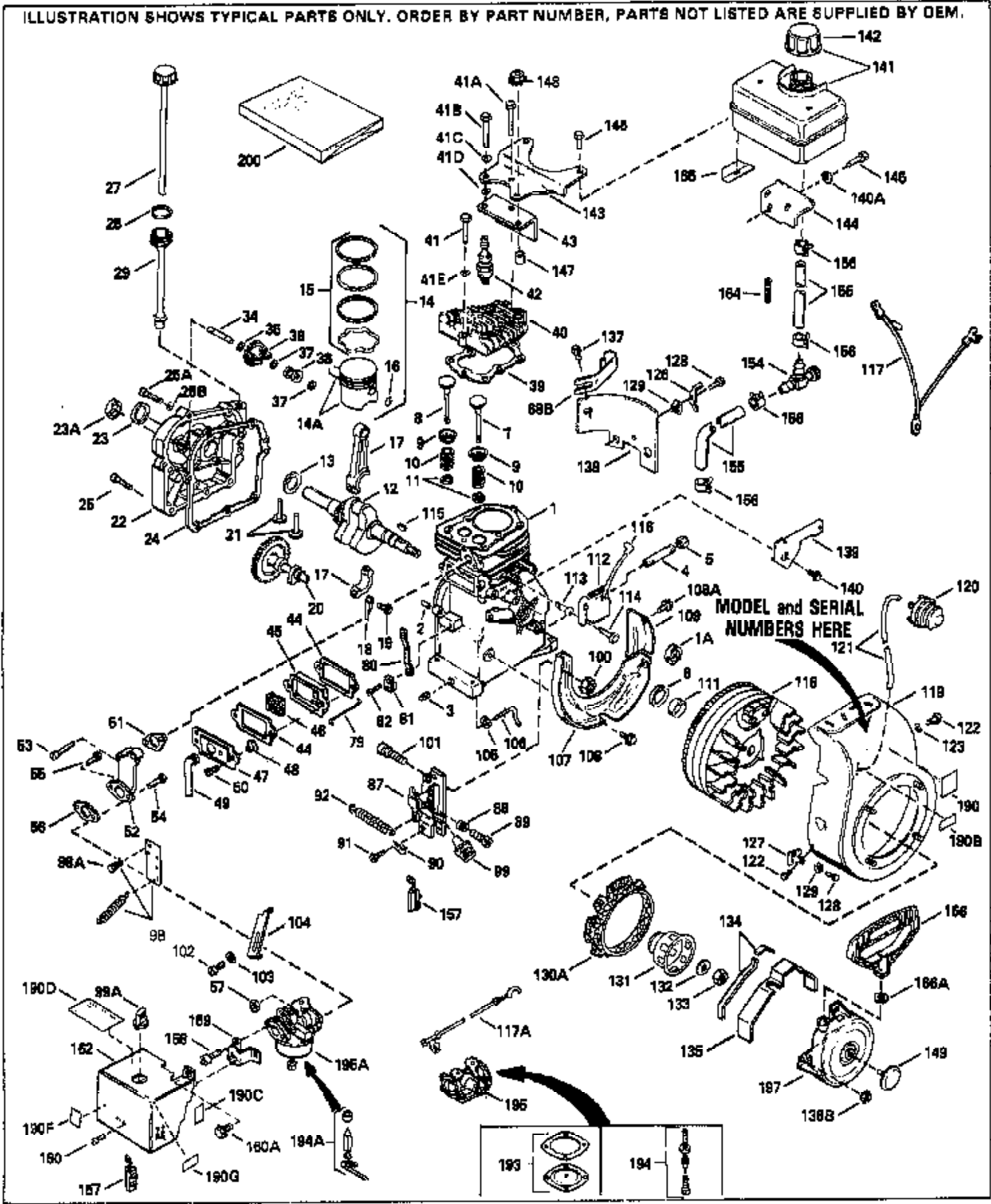


ILLUSTRATION SHOWS TYPICAL PARTS ONLY. ORDER BY PART NUMBER, PARTS NOT LISTED ARE SUPPLIED BY OEM.



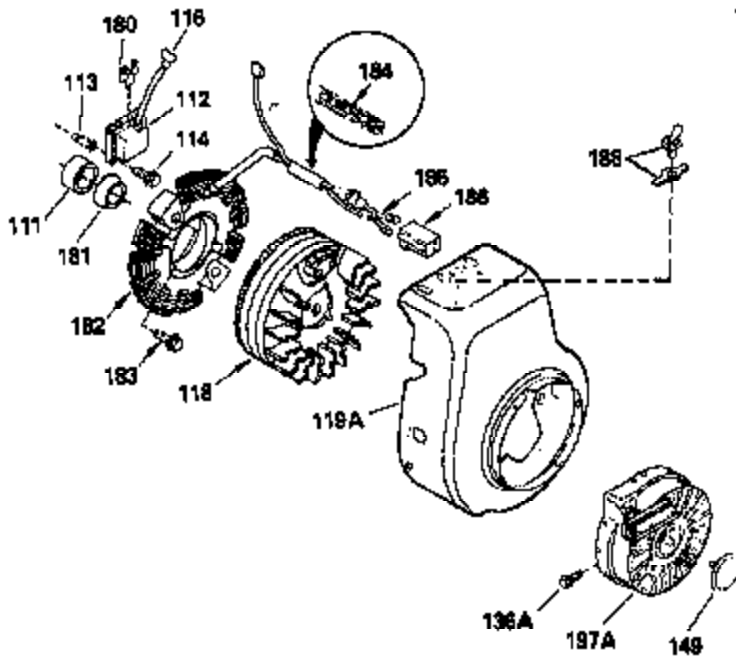
| Ref # | Part Number | Qty | Description |
|-------|-------------|-----|---|
| 1 | 34708A | | Cylinder (Incl. 2, 3 & 6) (2-1/2" Bore) |
| 2 | 26727 | | Pin, Dowel |
| 3 | 27642 | | Pipe plug, 1/4-18 |
| 6 | 32600 | | Seal, Oil |
| 7 | 29314B | | Intake Valve (Std.) (Incl. 11) |
| 7 | 29315C | | Intake Valve (1/32" OS) (Incl. 11) |
| 8 | 29313C | | Exhaust Valve (Std.) (Incl. 11) |
| 8 | 29315C | | Exhaust Valve (1/32" OS) (Incl. 11) |
| 9 | 31671 | | Valve Spring Cap (Used in early production) |
| 10 | 31672 | | Spring, Valve |
| 11 | 31673 | | Valve Spring Cap |
| 12 | 34721 | | Crankshaft |
| 14A | 32538B | | Piston & Pin Ass'y.(Std.)(2-1/2")(Incl. 16) |
| 14A | 32548B | | Piston & Pin Ass'y. (.010" OS) (Incl. 16) |
| 14A | 32549B | | Piston & Pin Ass'y. (.020" OS) (Incl. 16) |
| 14 | 34514 | | Piston, Pin & Ring Set (Std.) (2-1/2" Bore) |
| 14 | 34515 | | Piston, Pin & Ring Set (.010" OS) |
| 14 | 34516 | | Piston, Pin & Ring Set (.020" OS) |
| 15 | 28986 | | Ring Set (Std.) (2-1/2" Bore) |
| 15 | 28987 | | Ring Set (.010" OS) |
| 15 | 28988 | | Ring Set (.020" OS) |
| 16 | 20381 | | Ring, Piston retaining |
| 17 | 30963B | | Rod Assy., Connecting (Incl. 19) |
| 18 | 28594 | | Dipper, Oil |
| 19 | 32610A | | Bolt, Connecting rod |
| 20 | 32197A | | Camshaft (MCR) |
| 21 | 27241 | | Lifter, Valve |
| 22 | 30941D | | Cover, Cylinder (Incl. 23, 26, 28 & 34) |
| 23 | 31333 | | Seal, Oil |
| 24 | 27677A | | * Gasket, Cylinder cover |
| 25 | 650488 | | Screw, 1/4-20 x 1-1/4" |
| 28 | 29673 | | * Gasket, Oil fill plug |
| 34 | 30574 | | Shaft, Mechanical governor |
| 35 | 35479 | | Washer, Flat |
| 36 | 30591 | | Gear Assy., Governor (Incl. 35) |
| 37 | 29193 | | Ring, Retaining |
| 38 | 30588A | | Spool, Governor |
| 39 | 29953C | | * Gasket, Cylinder head |
| 40 | 30579A | | Head, Cylinder (Incl. 41A) |
| 41 | 650695A | | Screw, 5/16-18 x 2-1/4" (Use as required) |
| 41 | 6021A | | Screw, 5/16-18 x 1-1/2" (Use as required) |
| 41 | 650865 | | Screw, 5/16-18 x 2" (Use as required) |
| 41A | 650694A | | Screw, 5/16-18 x 2" (Use as required) |
| 42 | 33636 | | Resistor Spark Plug (J-8C) |
| 43 | 33344 | | Baffle, Heat |
| 44 | 31619A | | * Gasket, Breather (One required) |
| 45 | 31337 | | Breather Assy. (Incl. 44 & 46) |
| 46 | 31410 | | Element, Breather |
| 50 | 650128 | | Screw, 10-24 x 1/2" |
| 51 | 26754A | | * Gasket, Intake to cylinder |
| 52 | 28416A | | Pipe, Intake (Incl. 54) |
| 53 | 650664 | | Screw, 1/4-20 x 1-19/32" |
| 54 | 650840 | | Screw, 1/4-20 x 1-7/32" |
| 55 | 6201 | | Screw, 1/4-28 x 7/8" |
| 56 | 26756 | | * Gasket, Carburetor to intake |
| 57 | 29752 | | Nut & Lockwasher Assy., 1/4-28 |
| 79 | 31858 | | Link, Throttle |
| 80 | 31510 | | Lever, Governor |

| Ref # | Part Number | Qty | Description |
|-------|-------------|-----|---|
| 81 | 31335 | | Clamp, Governor lever |
| 82 | 650548 | | Screw, 8-32 x 5/16" |
| 92 | 30342 | | Spring, Extension |
| 98 | 33857 | | Spring Assy., Extension (Incl. 98A) |
| 100 | 30322 | | Locknut, 8-32 (Use as required) |
| 101 | 650139 | | Screw, 8-32 x 1/2" (Use as required) |
| 101 | 650152 | | Screw, 8-32 x 3/8" (Use as required) |
| 101 | 30200 | | Screw, 10-24 x 9/16" (Use as required) |
| 105 | 28277 | | Washer, Flat |
| 106 | 31334 | | Rod, Governor |
| 107 | 33342 | | Baffle, Blower housing |
| 108A | 650701 | | Screw, 8-18 x 7/16" |
| 108 | 650561 | | Screw, 1/4-20 x 5/8" |
| 109 | 33341 | | Baffle, Extension |
| 111 | 34080 | | Spacer, Flywheel key |
| 112 | 34443A | | Solid State Ass'y. |
| 113 | 650872 | | Stud, Solid State mounting |
| 114 | 650814 | | Screw, Torx T-15, 10-24 x 1" |
| 115 | 610961 | | Flywheel key |
| 116 | 610118 | | Cover, Spark plug (Use as required) |
| 116 | 27276 | | Cover, Spark plug |
| 118 | 611080 | | Flywheel |
| 119 | 33663C | | Housing, Blower NOTE: In original production, the starter may be riveted to the blower housing. If the starter or blower housing needs replacement, the other may need holes used for pop riveting enlarged to use standard mounting hardware. Order 4 nuts (#29752) required to mount starter to replacement |
| 122 | 29212 | | Screw, 1/4-28 x 7/16" |
| 123 | 650168 | | Washer |
| 131 | 34694 | | Cup, Starter |
| 132 | 650815 | | Washer, Belleville |
| 133 | 650816 | | Nut, Flywheel |
| 137 | 650128 | | Screw, 10-24 x 1/2" |
| 138 | 29745 | | Extension, Blower housing |
| 139 | 34212 | | Bracket, Hold down |
| 140 | 30200 | | Screw, 10-24 x 9/16" |
| 141 | 34156A | | Fuel Tank (Incl. 142 & 156) NOTE: These tanks were built with different size fuel inlet openings. Tanks with the 1-3/16" I.D. opening use fuel cap 33032 or 34210. Tanks with the 1-1/2" I.D. opening use fuel cap 35355. |
| 142 | 33032 | | Cap, Fuel filler (Use as required) |
| 142 | 410144B | | Cap, Fuel filler (Std.) (Use as required) |
| 143 | 34183A | | Plate, Fuel tank mounting |
| 144 | 34182 | | Fuel Tank Bracket |
| 145 | 650561 | | Screw, 1/4-20 x 5/8" |
| 146 | 650665 | | Screw, 1/4-15 x 7/8" |
| 147 | 28212 | | Spacer, Tank bracket (Not used in all models) |
| 150 | 650691 | | Washer, Flat |
| 154 | 32961 | | Valve, Shut-off |
| 155 | 29774 | | Fuel Line (Braided, 8-1/4") (Use as required) |
| 155 | 30705 | | Fuel Line (Braided, 16") (Use as required) |
| 156 | 26460 | | Clamp, Fuel line (Use as required) |
| 157 | 610973 | | Terminal Ass'y. (Use as required) |
| 190C | 34346 | | Decal, Instruction |
| 194A | 631021 | | Inlet Needle Seat & Clip Assy. |

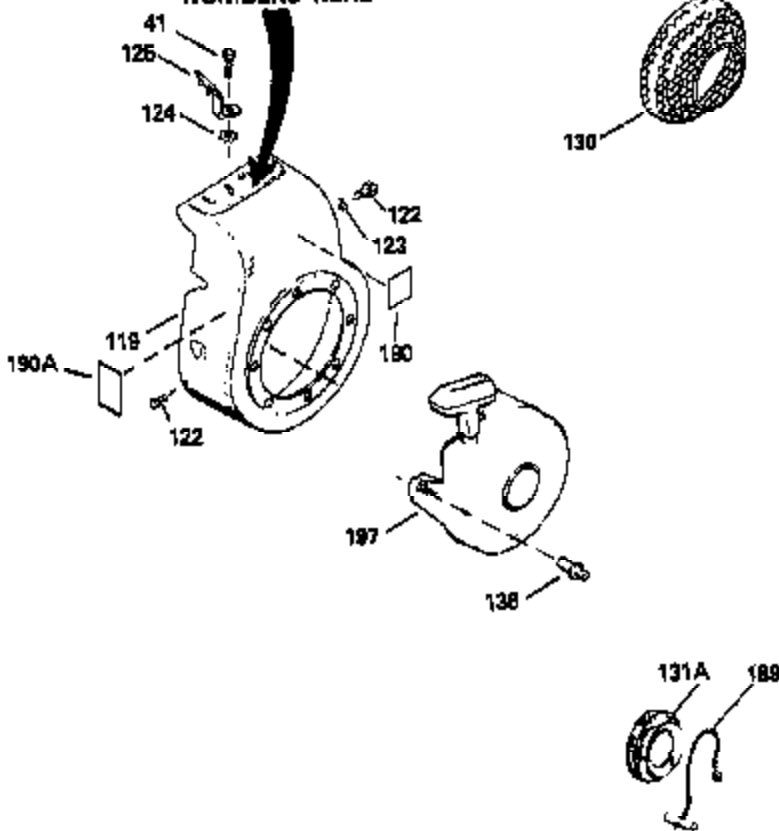
| Ref # | Part Number | Qty | Description |
|-------|-------------|-----|--|
| 195A | 631921 | | Carburetor (Incl. 56) (Refer to Division 5, Section A, page 138 for breakdown) |
| 197 | 590420 | | Starter, Rewind In original production, the starter may be riveted to the blowerhousing. If the starter or blower housing needs replacement, the other may need holes used for pop riveting enlarged to use standard mounting hardware. Order 4 nuts (29752) required to mount starter to replacement blower |
| 200 | 33233A | | * Gasket Set (Incl. items marked *) |

| Ref # | Part Number | Qty | Description |
|-------|-------------|-----|---|
| | 1 34708A | | Cylinder (Incl. 2, 3 & 6) (2-1/2" Bor e) |
| | 26 27625 | | Plug, Oil fill (Incl. 28) |
| | 28 29673 | | * Gasket, Oil fill plug |
| | 54 650840 | | Screw, 1/4-20 x 1-7/32" |
| | 56A 27272A | | * Gasket, Carburetor to air cleaner |
| | 56 26756 | | * Gasket, Carburetor to intake |
| | 58 31691 | | Bracket, Air cleaner |
| | 58A 730127 | | Air Cleaner Ass'y. (Incl.56A, 58, 59, 60, 66, 67 & 170) (Use as required) |
| | 58A 730164 | | Air Cleaner Ass'y. (Incl. 56A, 58, 59, 60, 66, 67 & 170A) (Use as required) |
| | 58B 31545 | | Air Cleaner Ass'y. (Incl. 56A, 59A, 60A, 61 & 62) (Use as required) |
| | 59 30727 | | Element, Air cleaner |
| | 60 31715 | | Body, Air cleaner |
| | 66 28820 | | Screw, 10-32 x 1/2" |
| | 67 650152 | | Screw, 8-32 x 3/8" |
| | 69A 730162 | | Kit, Exhaust adapter (Incl. 69 & 77B) (Use as required) (Not for use on PTO side exhaust) |
| | 74A | | Elbow, 90 degree (Buy local) |
| | 74 27675 | | Nut, Conduit |
| | 80 31510 | | Lever, Governor |
| | 81 31335 | | Clamp, Governor lever |
| | 82 650548 | | Screw, 8-32 x 5/16" |
| | 92 30342 | | Spring, Extension |
| | 93 30845A | | Bolt, Governor spring adjusting |
| | 94 33450 | | Nut, 10-32 lock |
| | 95 650518 | | Lockwasher |
| | 96 30200 | | Screw, 10-24 x 9/16" |
| | 97 30846 | | Bracket, Governor adjusting bolt |
| | 114 650814 | | Screw, Torx T-15, 10-24 x 1" |
| | 150 650691 | | Washer, Flat |
| | 157 610973 | | Terminal Ass'y. (Use as required) |
| | 161 34594 | | Rod, Choke |
| | 190C 34346 | | Decal, Instruction |

ILLUSTRATION SHOWS TYPICAL PARTS ONLY. ORDER BY PART NUMBER. PARTS NOT LISTED ARE SUPPLIED BY OEM.



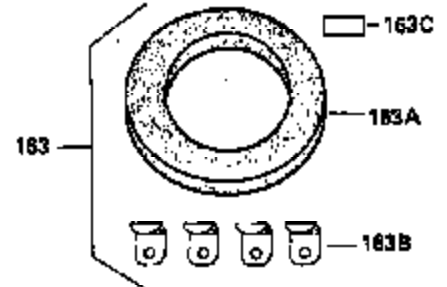
MODEL and SERIAL
 NUMBERS HERE



OPTIONAL 110 - 120 VOLT
 STARTER MOTOR KIT



STARTER MUFF KIT
 (OPTIONAL)



| Ref # | Part Number | Qty | Description |
|-------|-------------|-----|---|
| 1 | 34708A | | Cylinder (Incl. 2, 3 & 6) (2-1/2" Bore) |
| 41 | 650695A | | Screw, 5/16-18 x 2-1/4" (Use as required) |
| 41 | 6021A | | Screw, 5/16-18 x 1-1/2" (Use as required) |
| 41 | 650865 | | Screw, 5/16-18 x 2" (Use as required) |
| 111 | 34080 | | Spacer, Flywheel key |
| 112 | 34443A | | Solid State Ass'y. |
| 113 | 650872 | | Stud, Solid State mounting |
| 114 | 650814 | | Screw, Torx T-15, 10-24 x 1" |
| 116 | 610118 | | Cover, Spark plug (Use as required) |
| 116 | 27276 | | Cover, Spark plug |
| 118 | 611080 | | Flywheel |
| 119 | 33663C | | Housing, Blower NOTE: In original production, the starter may be riveted to the blower housing. If the starter or blower housing needs replacement, the other may need holes used for pop riveting enlarged to use standard mounting hardware. Order 4 nuts (#29752) required to mount starter to replacement |
| 122 | 29212 | | Screw, 1/4-28 x 7/16" |
| 123 | 650168 | | Washer |
| 124 | 650890 | | Lockwasher, 5/16 |
| 125 | 30747 | | Clip, Spark plug shorting |
| 130 | 35185 | | Screen, Starter |
| 136 | | | Rivet, Pop (Can be purchased locally) |
| 150 | 650691 | | Washer, Flat |
| 163 | 730571 | | Str.Muff Kit(Incl.163A,163B,163C)(Opt .) |
| 163A | 32203 | | Air Cleaner, Starter (Optional) |
| 163C | 34870 | | Decal, Instruction (Optional) |
| 163B | 32204 | | Bracket, Starter air cleaner (Optional) |
| 197 | 590420 | | Starter, Rewind In original production, the starter may be riveted to the blower housing. If the starter or blower housing needs replacement, the other may need holes used for pop riveting enlarged to use standard mounting hardware. Order 4 nuts (29752) required to mount starter to replacement blower |
| 198A | 33290D | | Electric Starter Motor (120 volt) This 120-Volt starter motor kit can be used on those models equipped with electric starter provisions. Refer to Division 5, Section D, Page 16 for breakdown. |