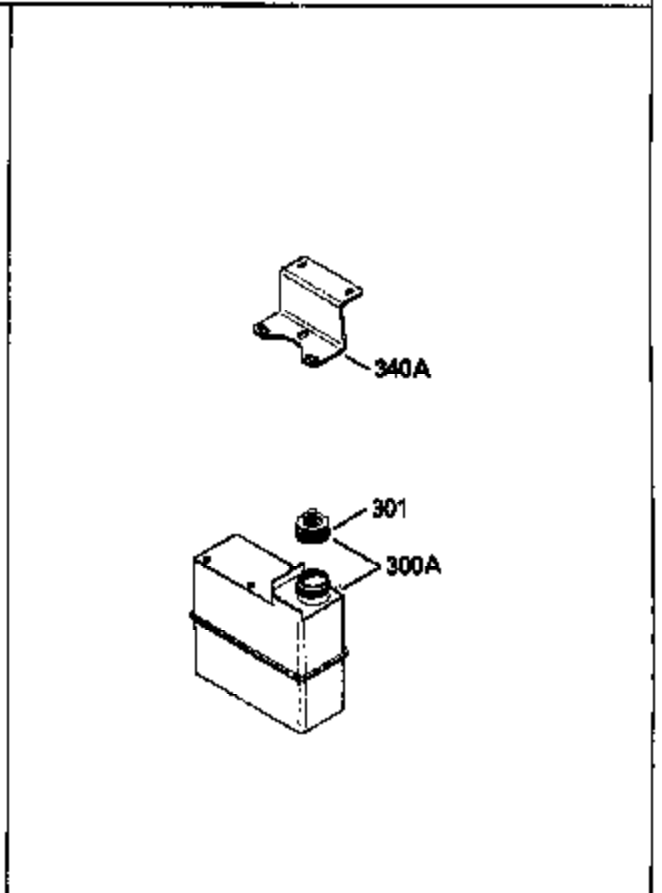
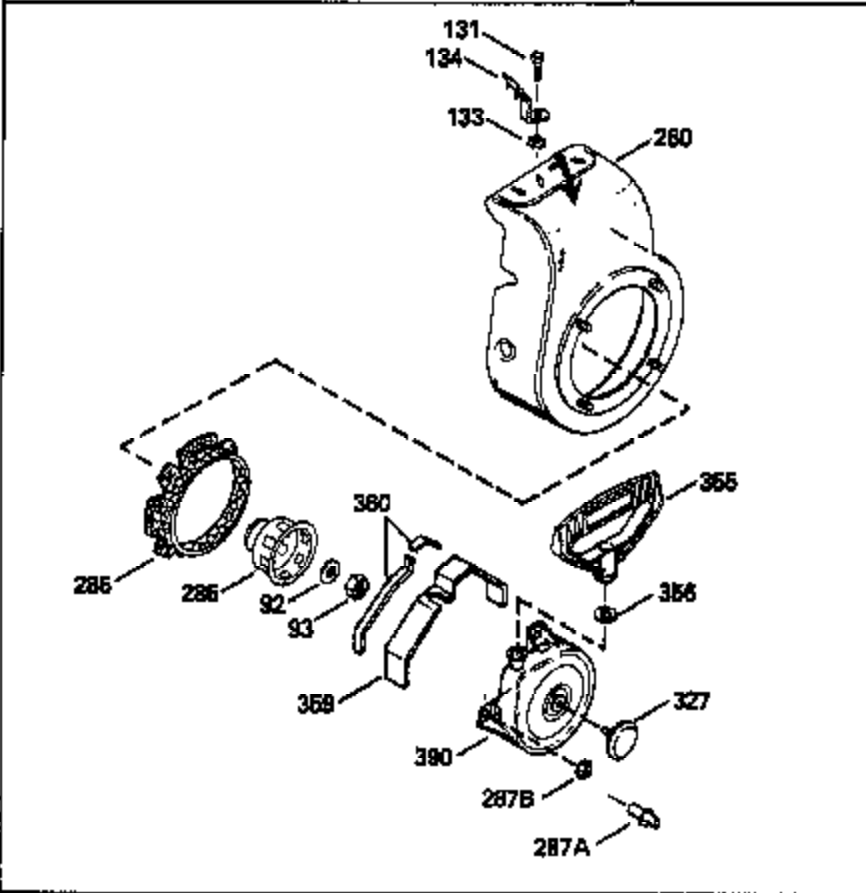
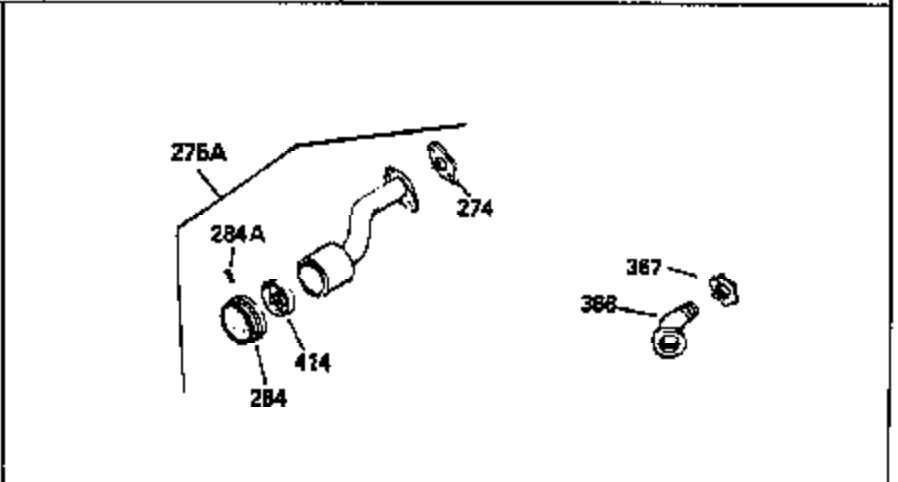
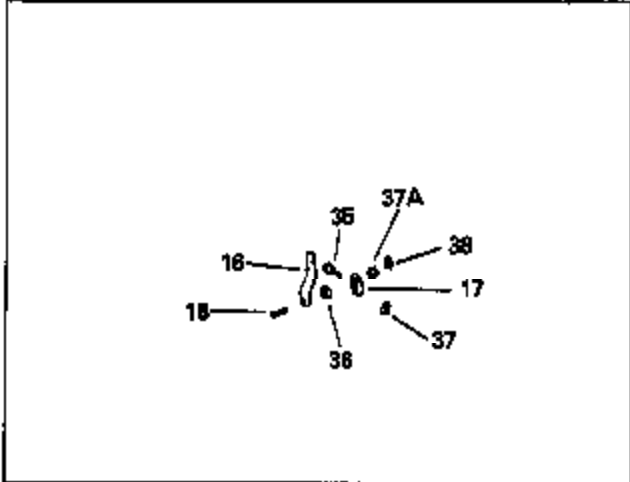
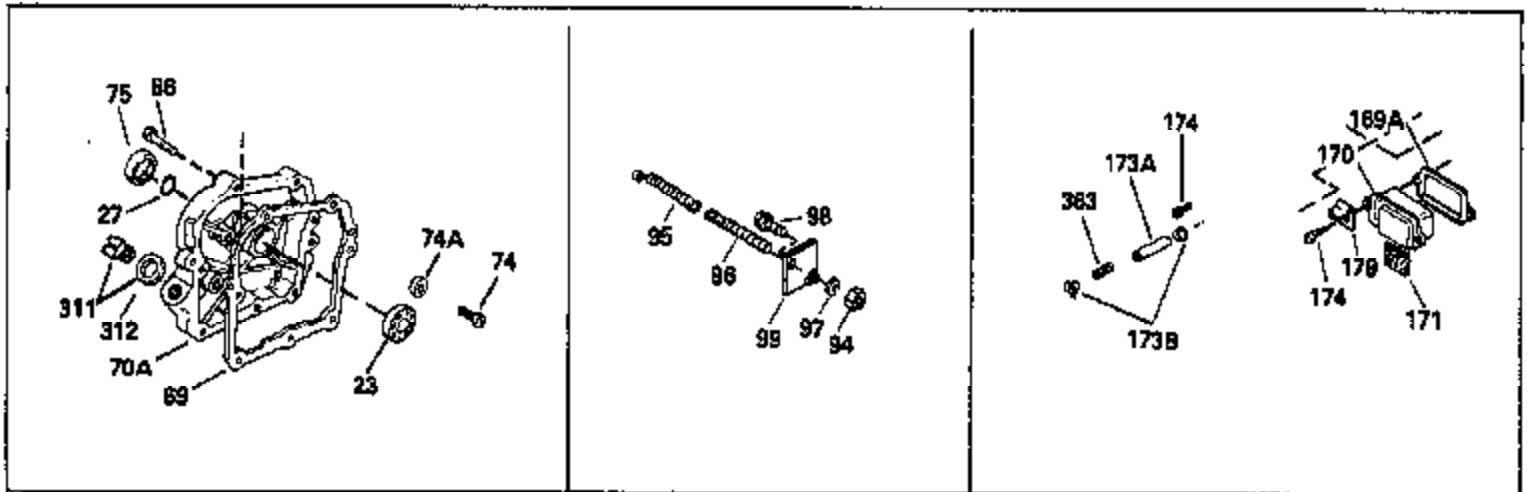
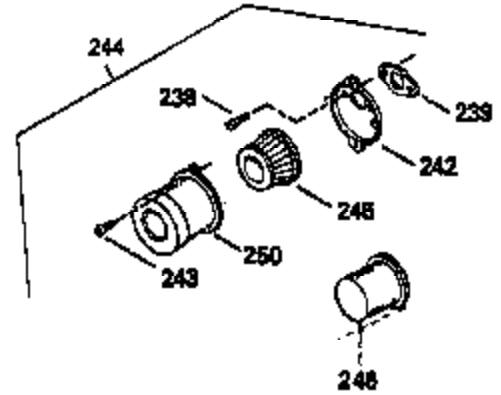
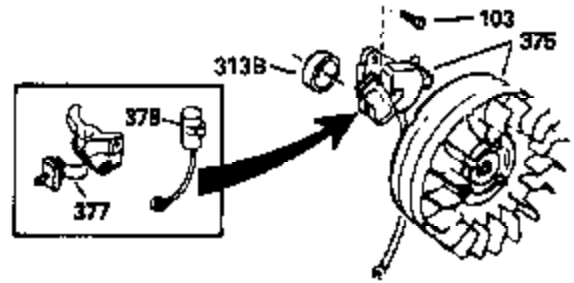
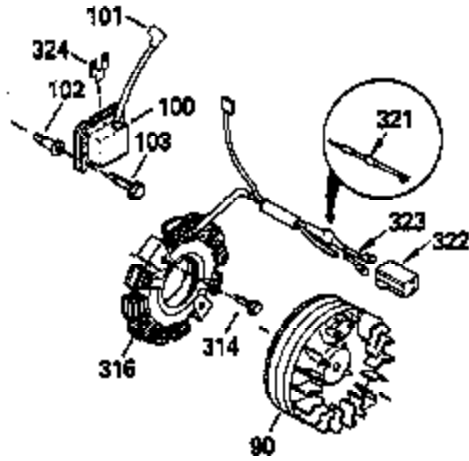


| Ref # | Part Number | Qty | Description |
|-------|-------------|-----|---|
| | 1 36589 | 1 | Cylinder (Incl. 2,20,72 & 125) |
| | 2 26727 | 2 | Dowel Pin |
| | 14 28277 | 1 | Washer |
| | 15 31334 | 1 | Governor Rod |
| | 16 31510 | 1 | Governor Lever |
| | 17 31335 | 1 | Governor Lever Clamp |
| | 18 651018 | 1 | Screw, Torx T-15, 8-32 x 19/64" |
| | 19 31426 | 1 | Extension Spring |
| | 20 32600 | 1 | Oil Seal |
| | 25A 35883 | 1 | Baffle Extension |
| | 25 36552 | 1 | Blower Housing Baffle (Incl. 262) |
| | 26A 650926 | 1 | Screw, 8-32 x 21/64" |
| | 26 650802 | 2 | Screw, 1/4-20 x 5/8" |
| | 30 35528 | 1 | Crankshaft |
| | 40 40020 | 1 | Piston, Pin & Ring Set (Std.) |
| | 40 40021 | 1 | Piston, Pin & Ring Set (.010" OS) |
| | 41 40018 | 1 | Piston & Pin Ass'y. (Std.) (Incl. 43) |
| | 41 40019 | 1 | Piston & Pin Ass'y. (.010" OS) (Incl. 43) |
| | 42 40022 | 1 | Ring Set (Std.) |
| | 42 40023 | 1 | Ring Set (.010" OS) |
| | 43 20381 | 2 | Piston Pin Retaining Ring |
| | 45 32875A | 1 | Connecting Rod Ass'y. (Incl. 46 & 49) |
| | 46 32610A | 2 | Connecting Rod Bolt |
| | 48 27241 | 2 | Valve Lifter |
| | 49 32654 | 1 | Oil Dipper |
| | 50 32197A | 1 | Camshaft (MCR) |
| | 60 29745 | 1 | Blower Housing Extension |
| | 65 650128 | 1 | Screw, 10-24 x 1/2" |
| | 69 27677A | 1 | * Cylinder Cover Gasket |
| | 70 30756C | 1 | Cylinder Cover (Incl. 75 thru 83,311) |
| | 72 27642 | 2 | Oil Drain Plug |
| | 75 28540 | 1 | Oil Seal |
| | 80 30574A | 1 | Governor Shaft |
| | 81 30590A | 1 | Washer |
| | 82 30591 | 1 | Governor Gear Ass'y. (Incl. 81) |
| | 83 30588A | 1 | Governor Spool |
| | 86 650488 | 7 | Screw, 1/4-20 x 1-1/4" |
| | 89 610961 | 1 | Flywheel Key |
| | 90 611195 | 1 | Flywheel |
| | 92 650815 | 1 | Belleville Washer |
| | 93 650816 | 1 | Flywheel Nut |
| | 100 34443B | 1 | Solid State Ignition |
| | 101 610118 | 1 | Spark Plug Cover |
| | 102 651024 | 1 | Solid State Mounting Stud |
| | 103 651007 | 2 | Screw, Torx T-15, 10-24 x 15/16" |
| | 110 35182 | 1 | Ground Wire |
| | 119 36437 | 1 | * Cylinder Head Gasket |
| | 120 36438 | 1 | Cylinder Head (Incl. 119 & 130) |
| | 125 36471 | 1 | Exhaust Valve (Std.) (Incl. 151) |
| | 125 36472 | 1 | Exhaust Valve (1/32" OS) (Incl. 151) |
| | 126 29314B | 1 | Intake Valve (Std.) (Incl. 151) |
| | 126 29315C | 1 | Intake Valve (1/32" OS) (Incl. 151) |
| | 130 6021A | 3 | Screw, 5/16-18 x 1-1/2" |
| | 131 650694A | 5 | Screw, 5/16-18 x 2" |
| | 135 33636 | 1 | Resistor Spark Plug (RJ17LM) |
| | 150 31672 | 2 | Valve Spring |
| | 151 31673 | 2 | Valve Spring Cap |
| | 169 27234A | 2 | * Valve Cover Gasket |

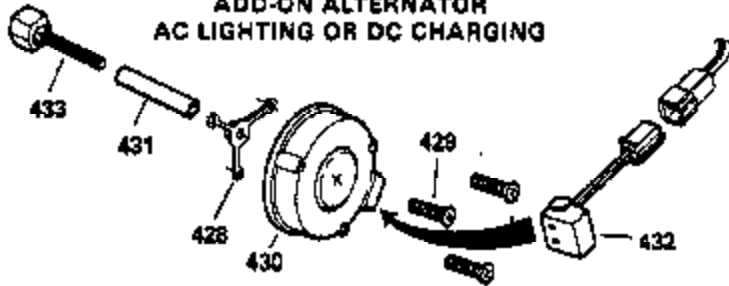
| Ref # | Part Number | Qty | Description |
|-------|-------------|-----|--|
| 171 | 31410 | 1 | Breather Element |
| 172 | 34146 | 1 | Valve Cover |
| 173 | 35350 | 1 | Breather Tube |
| 174 | 650783 | 2 | Screw, 10-24 x 3/4" |
| 178 | 29752 | 2 | Nut & Lock Washer, 1/4-28 |
| 181 | 6201 | 2 | Screw, 1/4-28 x 7/8" |
| 184 | 26756 | 1 | * Carburetor To Intake Pipe Gasket |
| 185 | 28416A | 1 | Intake Pipe |
| 186 | 31858 | 1 | Governor Link |
| 200 | 36677 | 1 | Control Bracket (Incl. 203 thru 209A) |
| 203 | 31342 | 1 | Compression Spring |
| 204 | 651029 | 1 | Screw, Torx T-10, 5-40 x 7/16" |
| 206 | 610973 | 1 | Terminal |
| 209A | 30322 | 2 | Lock Nut, 8-32 |
| 209 | 650139 | 2 | Screw, 8-32 x 1/2" |
| 215 | 32410 | 1 | Control Knob |
| 223A | 650664 | 1 | Screw, 1/4-20 x 1-19/32" |
| 223 | 650840 | 1 | Screw, 1/4-20 x 1-7/32" |
| 224 | 26754A | 1 | * Intake Pipe Gasket |
| 262 | 650737 | 2 | Screw, 1/4-20 x 1/2" |
| 267 | 34212 | 1 | Hold Down Bracket |
| 268 | 30200 | 1 | Screw, 10-24 x 9/16" |
| 275 | 36473 | 1 | Muffler (Incl. 277) |
| 277 | 650988 | 2 | Screw, 1/4-20 x 2-5/16" |
| 285 | 36467A | 1 | Starter Cup |
| 287 | 650926 | 2 | Screw, 8-32 x 21/64" |
| 290 | 30705 | 1 | Fuel Line |
| 292 | 26460 | 2 | Fuel Line Clamp |
| 298 | 650665 | 2 | Screw, 1/4-15 x 7/8" |
| 300 | 35584 | 1 | Fuel Tank (Incl. 292 & 301) |
| 313 | 34080 | 1 | Spacer |
| 340 | 36247 | 1 | Fuel Tank Bracket |
| 342 | 650751 | 1 | Screw, 1/4-20 x 7/16" |
| 345 | 33344 | 1 | Heat Baffle |
| 370 | 34686 | 1 | Name Decal |
| 370B | 35703 | 1 | Control Decal |
| 370A | 36261 | 1 | Lubrication Decal |
| 370K | 36695 | 1 | Starter Decal |
| 380 | 631921 | 1 | Carburetor (Incl. 184) |
| 400 | 36439 | 1 | * Gasket Set (Incl. items marked PK i n notes) Incl. part #'s 26754A (1), 26756 (1), 27234A (2), 27272A (1), 27677A (1), 29673 (1), 30081A (1), 31688A (1) 32649A (1), 36437 (1) |
| 416 | 36085 | 1 | Spark Arrestor Kit (Incl. 417)(Optional) |
| 417 | 650760 | 1 | Screw, 8-32 x 3/8" (Optional) |
| 420 | 730225 | 1 | SAE 30 4-Cycle Engine Oil (Quart) |



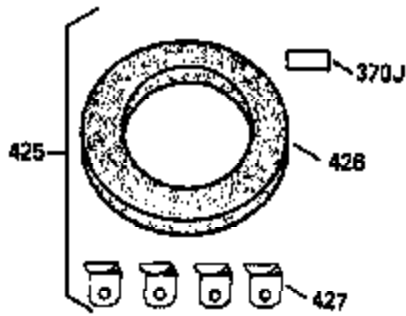
| Ref # | Part Number | Qty | Description |
|-------|-------------|-----|--|
| | 1 36589 | 1 | Cylinder (Incl. 2,20,72 & 125) |
| | 16 31510 | 1 | Governor Lever |
| | 17 31335 | 1 | Governor Lever Clamp |
| | 18 651018 | 1 | Screw, Torx T-15, 8-32 x 19/64" |
| | 23 28458 | 1 | Ball Bearing |
| | 26A 650926 | 1 | Screw, 8-32 x 21/64" |
| | 27 28539 | 1 | Bearing Retainer |
| | 69 27677A | 1 | * Cylinder Cover Gasket |
| | 74 30200 | 2 | Screw, 10-24 x 9/16" |
| | 74A 28537 | 2 | Washer |
| | 75 28540 | 1 | Oil Seal |
| | 86 650488 | 7 | Screw, 1/4-20 x 1-1/4" |
| | 92 650815 | 1 | Belleville Washer |
| | 93 650816 | 1 | Flywheel Nut |
| | 131 650694A | 5 | Screw, 5/16-18 x 2" |
| | 170 27666 | 1 | Breather Body |
| | 171 31410 | 1 | Breather Element |
| | 173 35350 | 1 | Breather Tube |
| | 174 650783 | 2 | Screw, 10-24 x 3/4" |
| | 209A 30322 | 2 | Lock Nut, 8-32 |
| | 209 650139 | 2 | Screw, 8-32 x 1/2" |
| | 223A 650664 | 1 | Screw, 1/4-20 x 1-19/32" |
| | 260 35585 | 1 | Blower Housing |
| | 262 650737 | 2 | Screw, 1/4-20 x 1/2" |
| | 285 36467A | 1 | Starter Cup |
| | 301 36246 | 1 | Fuel Cap |
| | 311 27625 | 1 | Oil Fill Plug |
| | 370K 36695 | 1 | Starter Decal |
| | 390 590732 | 1 | Rewind Starter |
| | 416 36085 | 1 | Spark Arrestor Kit (Incl. 417)(Optional) |
| | 417 650760 | 1 | Screw, 8-32 x 3/8" (Optional) |



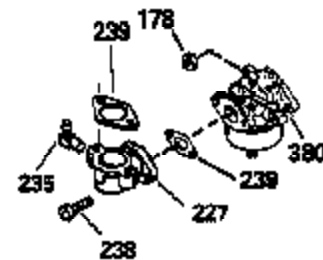
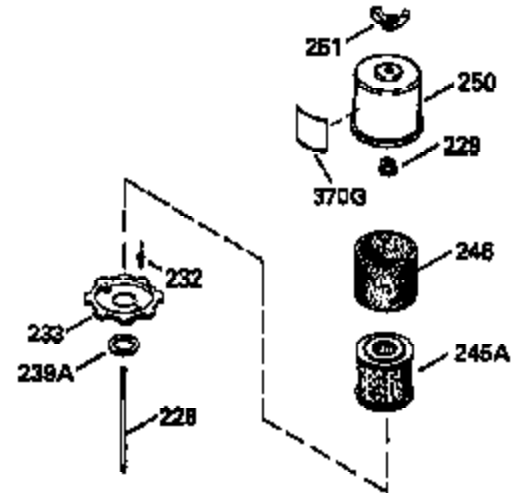
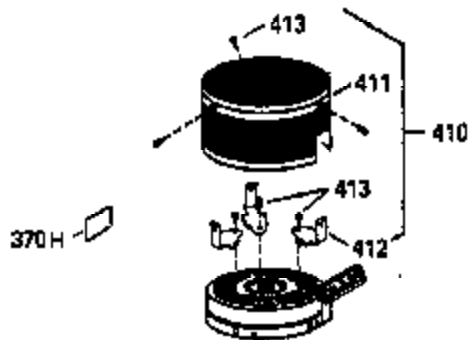
**ADD-ON ALTERNATOR
AC LIGHTING OR DC CHARGING**



STARTER MUFF KIT



DEBRIS SCREEN KIT



| Ref # | Part Number | Qty | Description |
|-------|-------------|-----|--|
| 26A | 650926 | 1 | Screw, 8-32 x 21/64" |
| 90 | 611195 | 1 | Flywheel |
| 100 | 34443B | 1 | Solid State Ignition |
| 101 | 610118 | 1 | Spark Plug Cover |
| 102 | 651024 | 1 | Solid State Mounting Stud |
| 103 | 651007 | 2 | Screw, Torx T-15, 10-24 x 15/16" |
| 178 | 29752 | 2 | Nut & Lock Washer, 1/4-28 |
| 209 | 650139 | 2 | Screw, 8-32 x 1/2" |
| 209A | 30322 | 2 | Lock Nut, 8-32 |
| 223A | 650664 | 1 | Screw, 1/4-20 x 1-19/32" |
| 238 | 28820 | 2 | Screw, 10-32 x 1/2" |
| 239 | 27272A | 1 | * Air Cleaner Gasket |
| 242 | 31691 | 1 | Air Cleaner Base |
| 243 | 650152 | 2 | Screw, 8-32 x 3/8" |
| 245 | 31700 | 1 | Air Cleaner Filter |
| 250 | 31715 | 1 | Air Cleaner Cover |
| 262 | 650737 | 2 | Screw, 1/4-20 x 1/2" |
| 370K | 36695 | 1 | Starter Decal |
| 380 | 631921 | 1 | Carburetor (Incl. 184) |
| 416 | 36085 | 1 | Spark Arrestor Kit (Incl. 417)(Optional) |
| 417 | 650760 | 1 | Screw, 8-32 x 3/8" (Optional) |