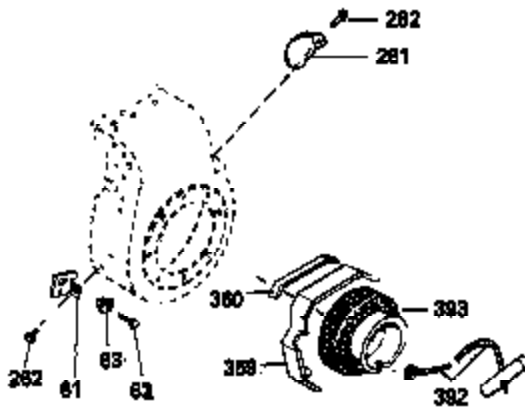
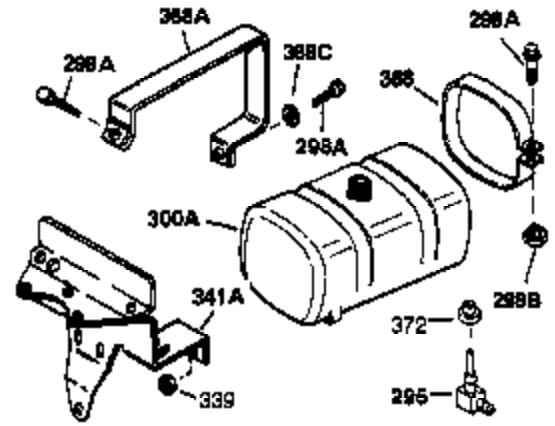
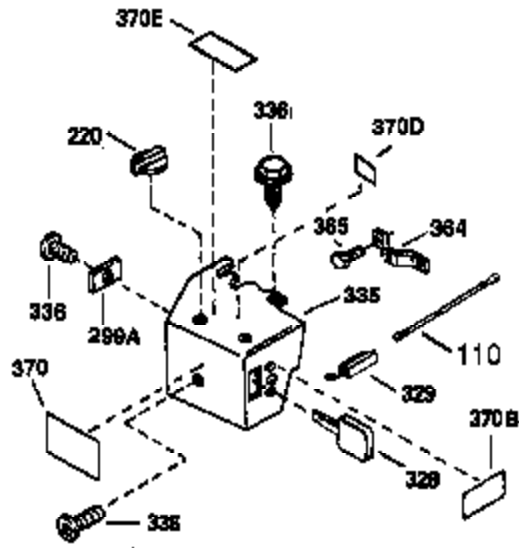


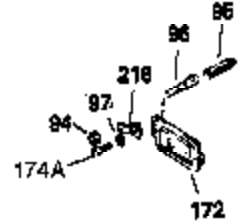
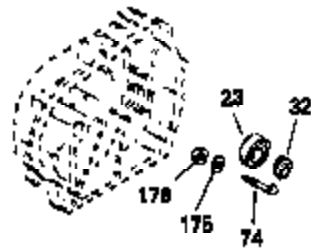
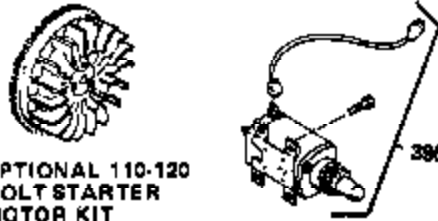
Ref #	Part Number	Qty	Description
	1 34919B	1	Cylinder (Incl. 2, 20 & 72)
	2 27652	2	Dowel Pin
	15A 30700	1	Governor Yoke
	15 30699C	1	Governor Rod (Incl. 15A & 15B)
	15B 650494	1	Screw, 6-40 x 5/16"
	16 33454	1	Governor Lever
	17 29916	1	Governor Lever Clamp
	18 650548	1	Screw, 8-32 x 5/16"
	19 34663	1	Speed Control Spring
	20 32630	1	Oil Seal
	25 29536	1	Blower Housing Baffle
	26 650561	2	Screw, 1/4-20 x 5/8"
	28 30322	1	Lock Nut, 8-32
	30 35228	1	Crankshaft
	35 29826	1	Screw, 10-32 x 3/4"
	36 29918	1	Lock Washer
	37 29216	1	Lock Nut, 10-32
	38 29642	1	Retaining Ring
	40 34531	1	Piston, Pin & Ring Set (Std.)
	40 34532	1	Piston, Pin & Ring Set (.010" OS)
	40 34533	1	Piston, Pin & Ring Set (.020" OS)
	41 33312B	1	Piston & Pin Ass'y. (Std.) (Incl. 43)
	41 33313B	1	Piston & Pin Ass'y. (.010" OS) (Incl. 43)
	41 33314B	1	Piston & Pin Ass'y. (.020" OS) (Incl. 43)
	42 34854	1	Ring Set (Std.)
	42 34855	1	Ring Set (.010" OS)
	42 34856	1	Ring Set (.020" OS)
	43 27888	2	Piston Pin Retaining Ring
	45 31295C	1	Connecting Rod Ass'y. (Incl. 46)
	46 650662C	2	Connecting Rod Bolt
	48 34034	2	Valve Lifter
	50 33156	1	Camshaft (BCR)
	60 30622A	1	Blower Housing Extension
	65 650128	1	Screw, 10-24 x 1/2"
	69 30684	1	* Cylinder Cover Gasket
	70 31303B	1	Cylinder Cover (Incl. 71, 75 & 80)
	71 31546	1	Crankshaft Bushing
	72 27642	2	Oil Drain Plug
	75 28427	1	Oil Seal
	80 31845	1	Governor Shaft
	81 30590A	1	Washer
	82 30591	1	Governor Gear Ass'y. (Incl. 81)
	83 30588A	1	Governor Spool
	84 29193	1	Retaining Ring
	86 650488	7	Screw, 1/4-20 x 1-1/4"
	87 650493	1	Screw, 1/4-20 x 1-3/4"
	89 32589	1	Flywheel Key
	90 611084	1	Flywheel
	92 650815	1	Belleville Washer
	93 8116	1	Flywheel Nut
	100 34443A	1	Solid State Ignition
	102 650872	2	Solid State Mounting Stud
	103 650814	2	Screw, Torx T-15, 10-24 x 1"
	110 35187	1	Ground Wire
	119 28938C	1	* Cylinder Head Gasket
	120 30938A	1	Cylinder Head (Incl. 3 of 130)
	125 27878A	1	Exhaust Valve (Std.) (Incl. 151)
	125 27880A	1	Exhaust Valve (1/32" OS) (Incl. 151)

Ref #	Part Number	Qty	Description
126	32783	1	Intake Valve (Std.) (Incl. 151)
126	32784	1	Intake Valve (1/32" OS) (Incl. 151)
127	650691	3	Washer
128	650690	3	Belleville Washer
130	650697A	5	Screw, 5/16-18 x 2-1/2"
135	34251	1	Resistor Spark Plug (RJ17LM)
139	31843A	1	Governor Gear Bracket
140	650965	2	Screw, Torx T-25, 10-24 x 1/2"
149	27882	2	Valve Spring Cap
150	27881	2	Valve Spring
151	32581	2	Valve Spring Keeper
169	27896A	2	* Valve Cover Gasket
170	28423	1	Breather Body
171	28424	1	Breather Element
172	28425	1	Valve Cover
173	35350	1	Breather Tube
174	650128	2	Screw, 10-24 x 1/2"
182	650517	2	Screw, 1/4-20 x 27/32"
184	31688A	1	* Carburetor To Intake Pipe Gasket
186	34661	1	Governor Link
200	34664	1	Control Bracket (Incl. 19, 203 & 204)
203	31342	1	Compression Spring
204	650549	1	Screw, 5-40 x 7/16"
206	610973	1	Terminal
207	34662	1	Throttle Link
209	650821	2	Screw, 10-32 x 1/2"
210	27793	1	Conduit Clip
211	28942	1	Screw, 10-32 x 3/8"
224	27915A	1	* Intake Pipe Gasket
238	28820	2	Screw, 10-32 x 1/2"
239	27272A	1	* Air Cleaner Gasket
242	31691	1	Air Cleaner Bracket
243	650152	2	Screw, 8-32 x 3/8"
245	30727	1	Air Cleaner Filter
250	31715	1	Air Cleaner Cover
260	35887	1	Blower Housing
262	29747B	2	Screw, Torx T-40, 5/16-24 x 21/32"
265	30939A	1	Cylinder Head Cover
269	35865	1	* Exhaust Manifold Gasket
272	30196	2	Screw, 5/16-18 x 3/4"
273	34712	1	Carburetor Flange
275	35275	1	Muffler
277A	30196	1	Screw, 5/16-18 x 3/4"
277	650694A	1	Screw, 5/16-18 x 2"
279B	26073	1	Washer
285	32125	1	Starter Cup
287	650884	3	Screw, 8-32 x 1/2"
290	29774	1	Fuel Line
292	26460	1	Fuel Line Clamp
298	650665	2	Screw, 1/4-15 x 3/4"
300	34156A	1	Fuel Tank (Incl. 292 & 301)
301	35355	1	Fuel Cap
305	35554	1	Oil Fill Tube
307	35499	1	"O" Ring
308	35540	1	Fill Tube Clip
310	35555	1	Dipstick
325	29443	1	Wire Clip
327	35392	1	Starter Plug

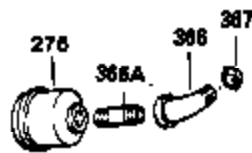
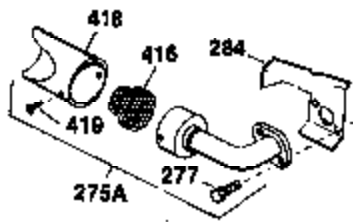
Ref #	Part Number	Qty	Description
340	34167	1	Fuel Tank Bracket
342	30063	1	Screw, Torx T-30, 1/4-20 x 1/2"
370A	550223	1	Name Decal
380	632230	1	Carburetor (Incl. 184)
390	590666	1	Rewind Starter
400	33235A	1	* Gasket Set (Incl. items marked PK i n notes) Incl. part #'s 27272A (2), 27896A (2), 27913A (1), 27915A (2), 28938C (1), 29673 (1), 30684 (1), 31688A (1), 33355A (1), 35865 (1)
420	730225	1	SAE 30 4-Cycle Engine Oil (Quart)
453	29538	1	Engine Mounting Base
454	650542	4	Screw, 5/16-18 x 3/4"



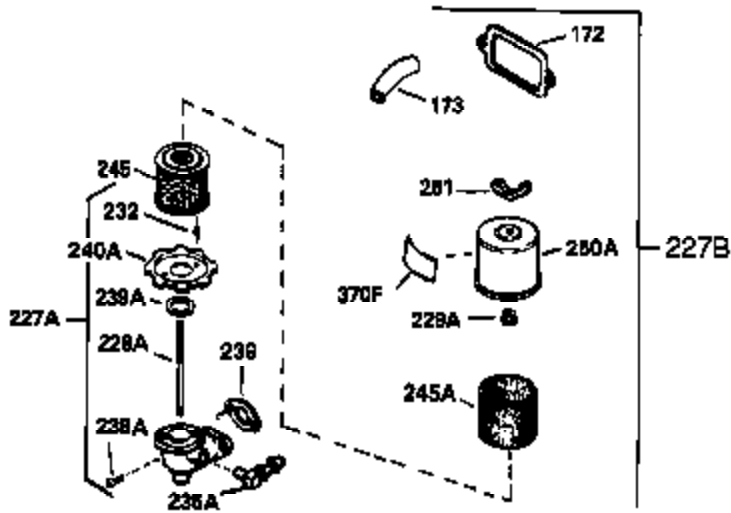
OPTIONAL 110-120
VOLT STARTER
MOTOR KIT



OPTIONAL SPARK ARREST
MUFFLER



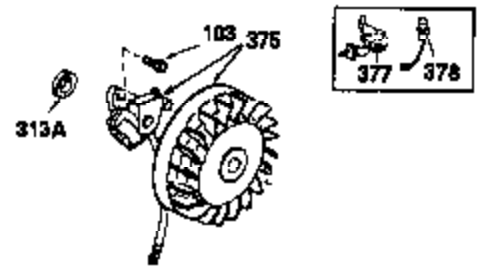
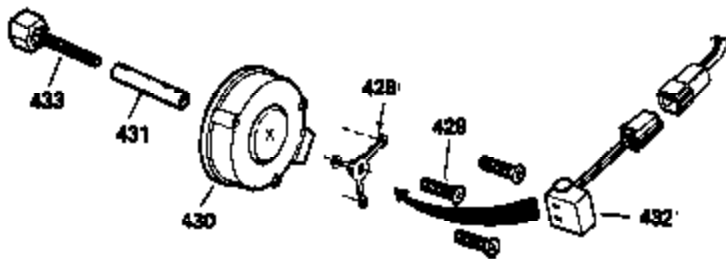
Ref #	Part Number	Qty	Description
110	35187	1	Ground Wire
172	28425	1	Valve Cover
242	31691	1	Air Cleaner Bracket
262	29747B	2	Screw, Torx T-40, 5/16-24 x 21/32"
269	35865	1	* Exhaust Manifold Gasket
275	35275	1	Muffler
277A	30196	1	Screw, 5/16-18 x 3/4"
277	650694A	1	Screw, 5/16-18 x 2"
279B	26073	1	Washer
370B	35274	1	Instruction Decal
370	34346	1	Instruction Decal



**ADD-ON ALTERNATOR
 AC LIGHTING OR DC CHARGING**

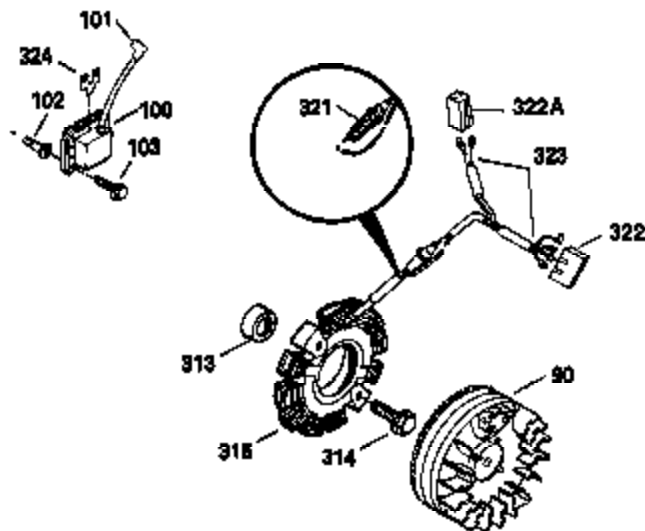


**OPTIONAL
 STARTER MUFF KIT**
 730571
 Can be used on H50-60 with
 stamped steel starter.



**STANDARD POINT
 IGNITION**

SOLID STATE



Ref #	Part Number	Qty	Description
90	611084	1	Flywheel
100	34443A	1	Solid State Ignition
102	650872	2	Solid State Mounting Stud
103	650814	2	Screw, Torx T-15, 10-24 x 1"
172	28425	1	Valve Cover
173	35350	1	Breather Tube
239	27272A	1	* Air Cleaner Gasket
242	31691	1	Air Cleaner Bracket
245	30727	1	Air Cleaner Filter
269	35865	1	* Exhaust Manifold Gasket
277A	30196	1	Screw, 5/16-18 x 3/4"
279B	26073	1	Washer